



US00D574541S

(12) **United States Design Patent**  
**Matsumoto et al.**

(10) **Patent No.:** **US D574,541 S**

(45) **Date of Patent:** **\*\* Aug. 5, 2008**

(54) **RECESSED LIGHTING FIXTURE**

(75) Inventors: **Jun Matsumoto**, Tokyo (JP); **Keiichi Shimizu**, Tokyo (JP); **Sumio Hashimoto**, Tokyo (JP); **Masaru Inoue**, Tokyo (JP)

(73) Assignee: **Toshiba Lighting & Technology Corporation**, Tokyo (JP)

(\*\*) Term: **14 Years**

(21) Appl. No.: **29/281,154**

(22) Filed: **Jun. 15, 2007**

(30) **Foreign Application Priority Data**

Dec. 22, 2006 (JP) ..... 2006-035278

(51) **LOC (8) Cl.** ..... **26-05**

(52) **U.S. Cl.** ..... **D26/74**

(58) **Field of Classification Search** ..... D26/26,  
D26/37, 67, 72, 74-79, 80, 104, 108, 118,  
D26/120; 362/147-148, 150, 217-225, 132,  
362/260, 262-264, 267, 345, 440; D13/180  
See application file for complete search history.

(56) **References Cited**

**U.S. PATENT DOCUMENTS**

- 3,010,013 A \* 11/1961 Gunther et al. .... 362/147
- 3,927,313 A \* 12/1975 Herold ..... 362/234
- D255,234 S \* 6/1980 Wellward et al. .... D14/209
- 4,574,337 A \* 3/1986 Poppenheimer ..... 362/267
- D320,862 S \* 10/1991 Moeller et al. .... D26/24
- D326,537 S \* 5/1992 Gattari ..... D26/74
- D411,031 S \* 6/1999 Conn et al. .... D26/118
- D437,074 S \* 1/2001 Johnson ..... D26/74
- D539,944 S \* 4/2007 Egawa et al. .... D26/24

- D549,186 S \* 8/2007 Yuzawa ..... D13/180
- 2004/0042203 A1 \* 3/2004 Ladstatter ..... 362/147
- 2005/0036305 A1 \* 2/2005 Kersey ..... 362/149
- 2007/0085103 A1 \* 4/2007 Nishioka et al. .... 257/99

**FOREIGN PATENT DOCUMENTS**

JP 1138404 2/2002

\* cited by examiner

*Primary Examiner*—Robert M. Spear

*Assistant Examiner*—Susan E Krakower

(74) *Attorney, Agent, or Firm*—J.C. Patents

(57) **CLAIM**

The ornamental design for a recessed lighting fixture, as shown and described.

**DESCRIPTION**

FIG. 1 is a perspective view of a recessed lighting fixture showing the new design;

FIG. 2 is a front view thereof;

FIG. 3 is a rear view thereof;

FIG. 4 is a right side view thereof, the left side view being a mirror image of the right side view;

FIG. 5 is a top view thereof;

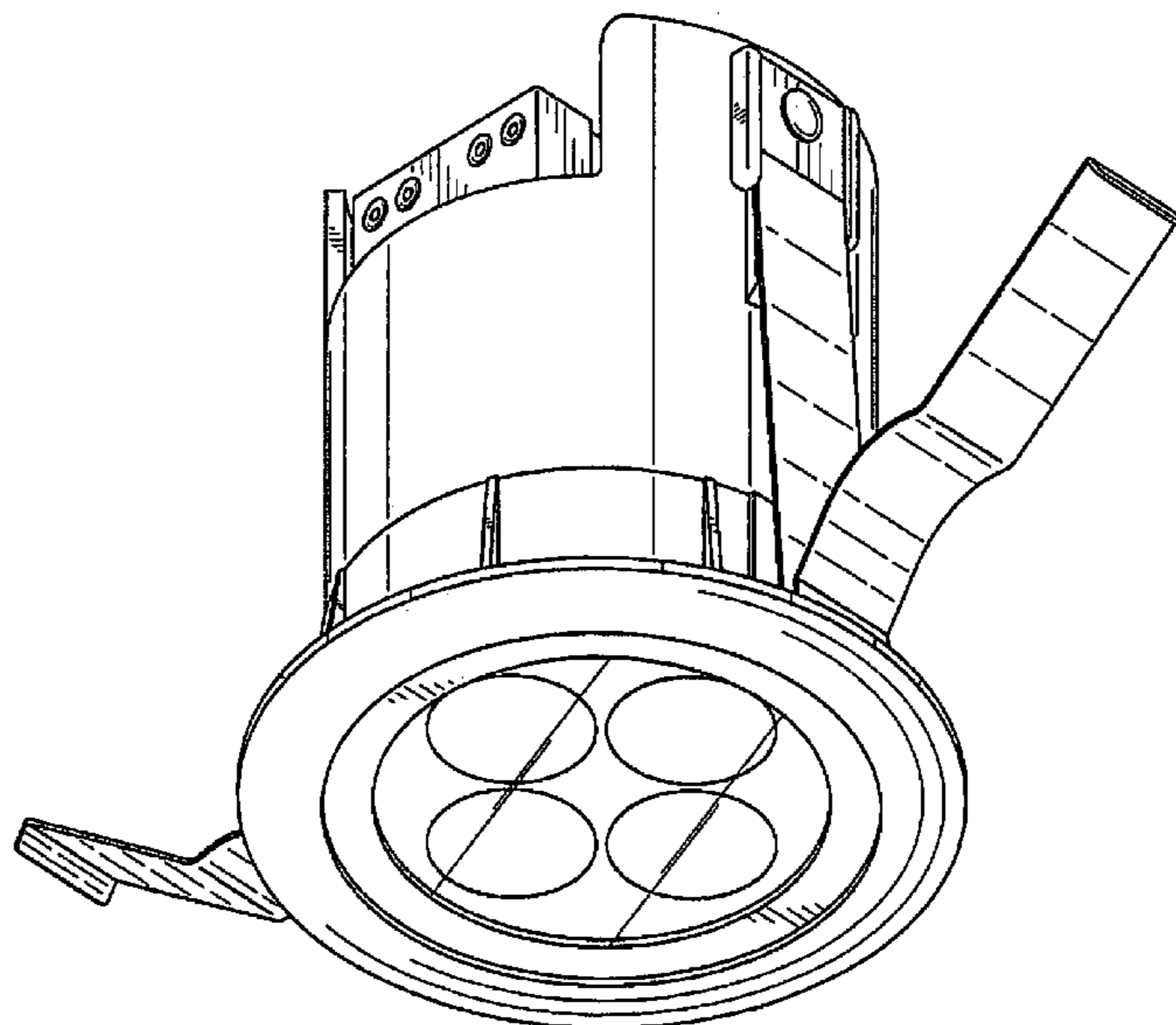
FIG. 6 is a bottom view thereof;

FIG. 7 is an end elevational view in section taken along line 7-7 in FIG. 2 with the internal parts omitted; and,

FIG. 8 is a reference drawing for showing the recessed lighting fixture embedded in the ceiling.

The broken lines in the drawings depict unclaimed environmental subject matter.

**1 Claim, 8 Drawing Sheets**



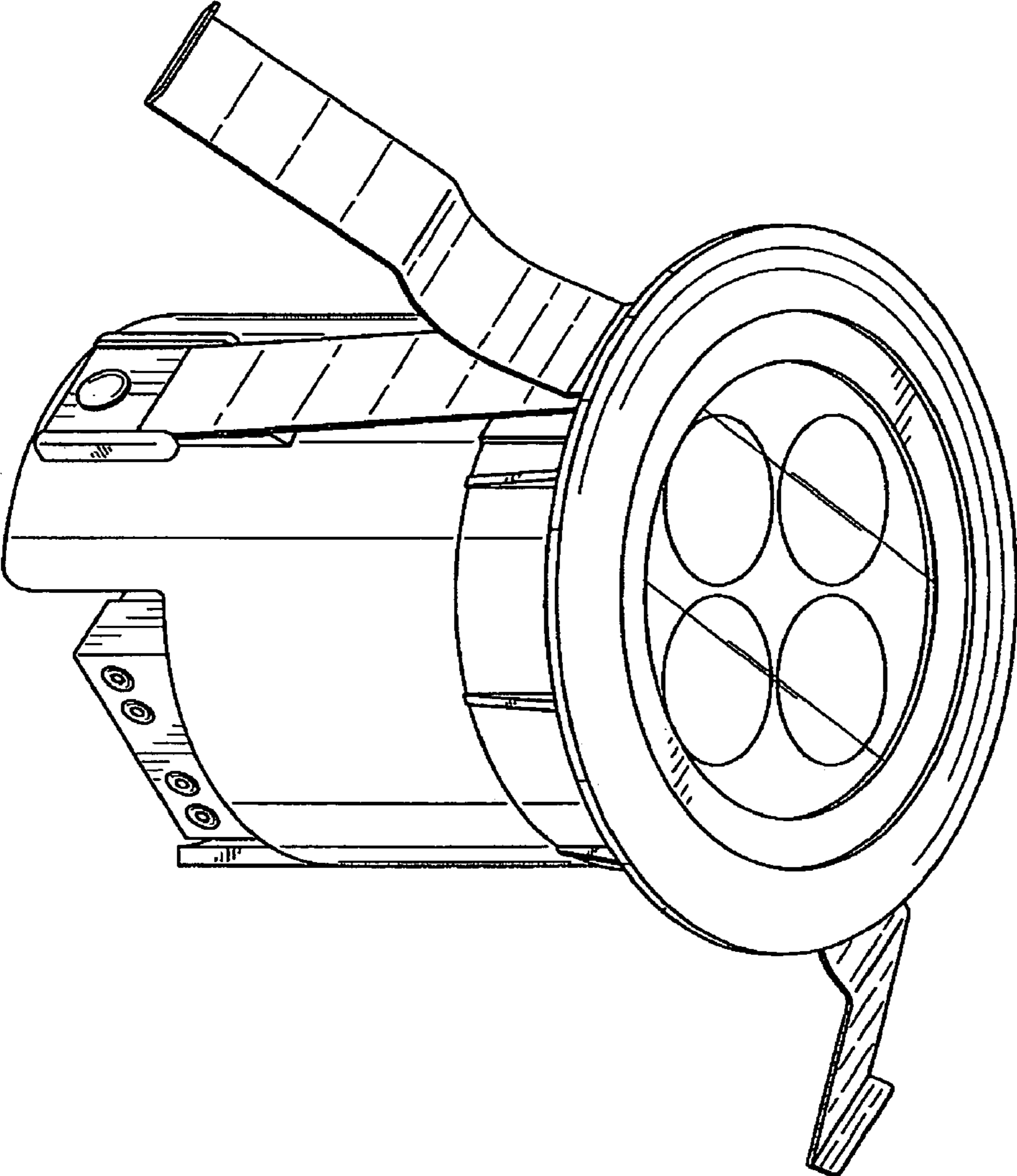


FIG. 1

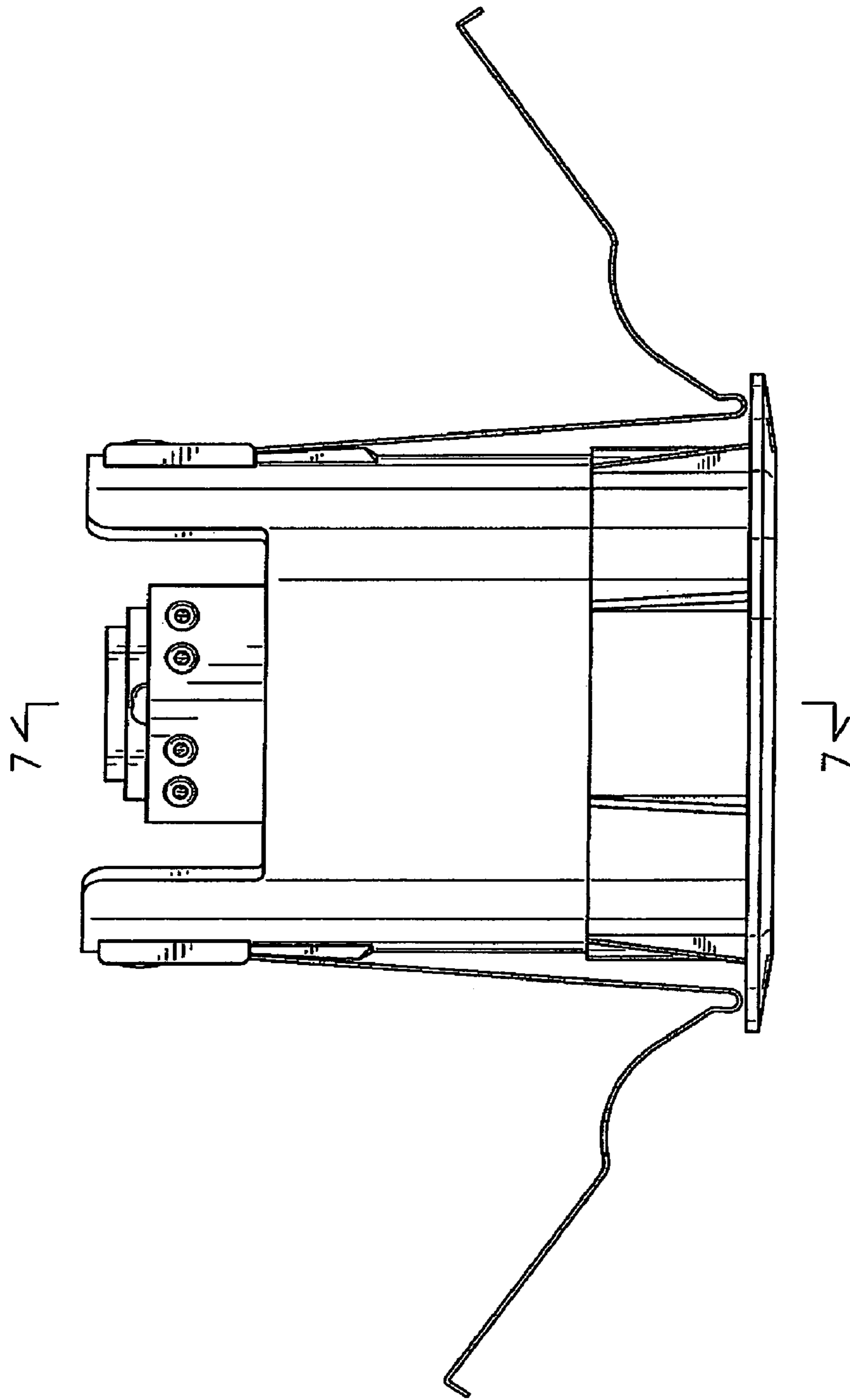


FIG. 2

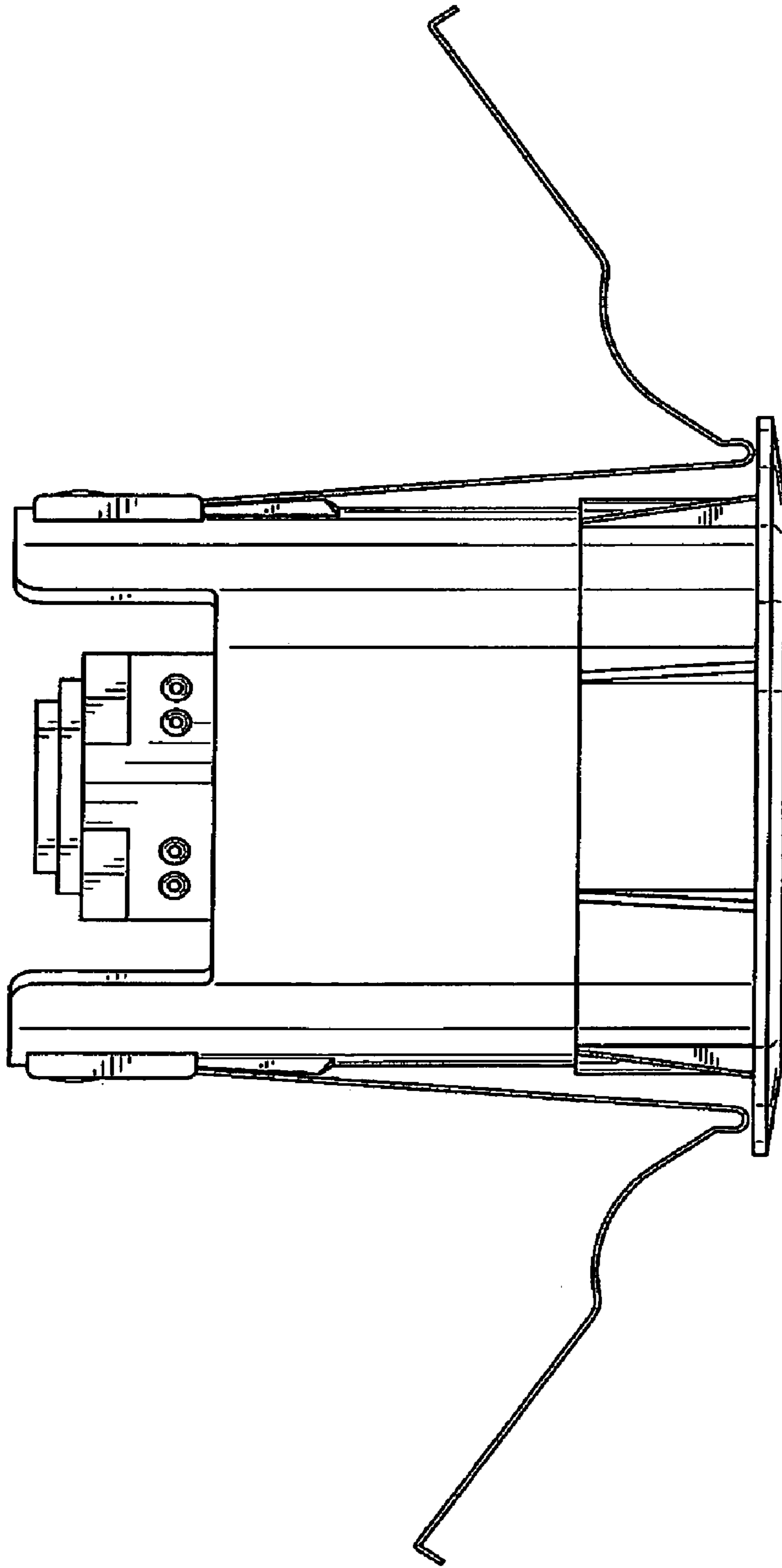


FIG. 3

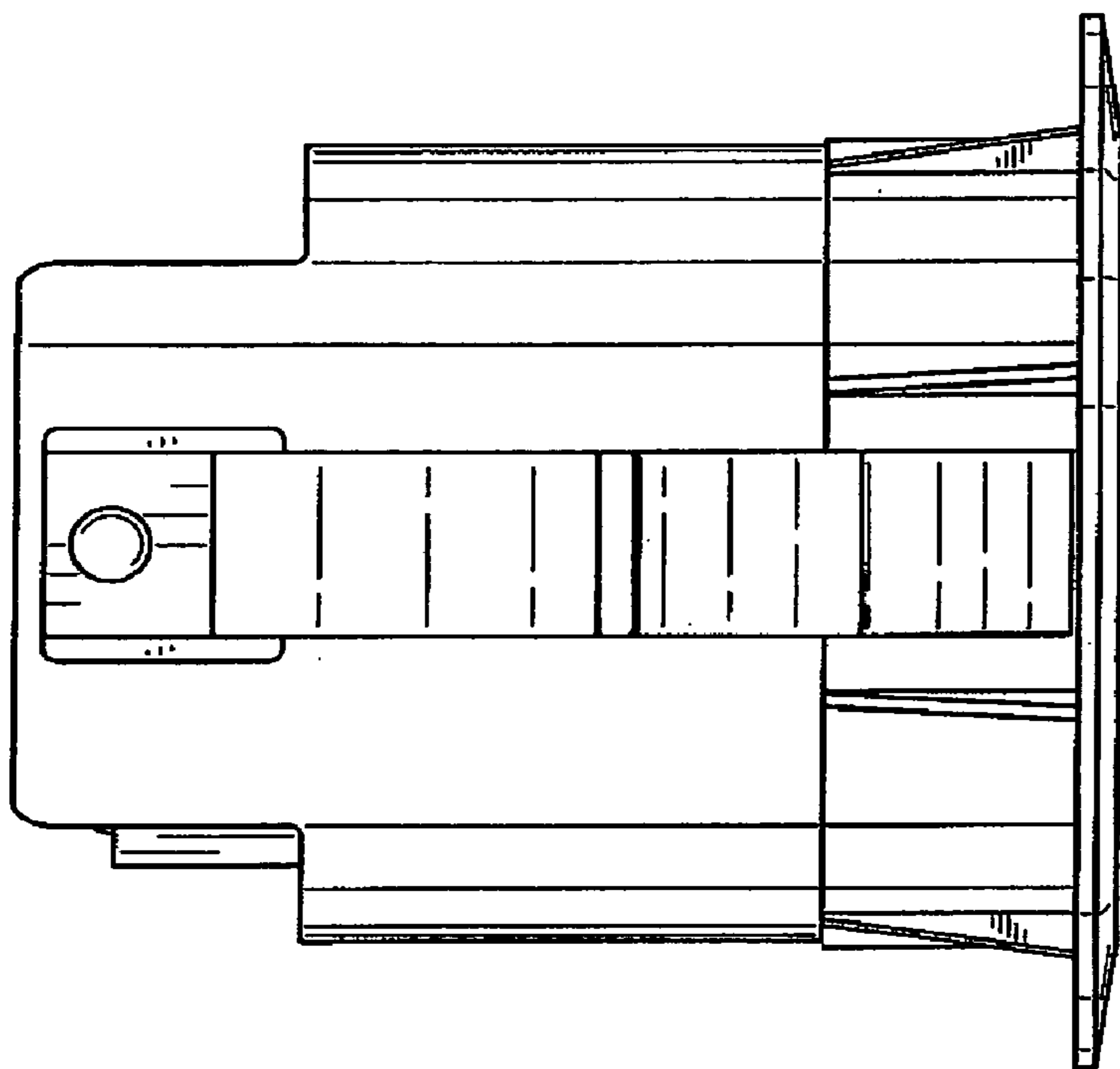


FIG. 4

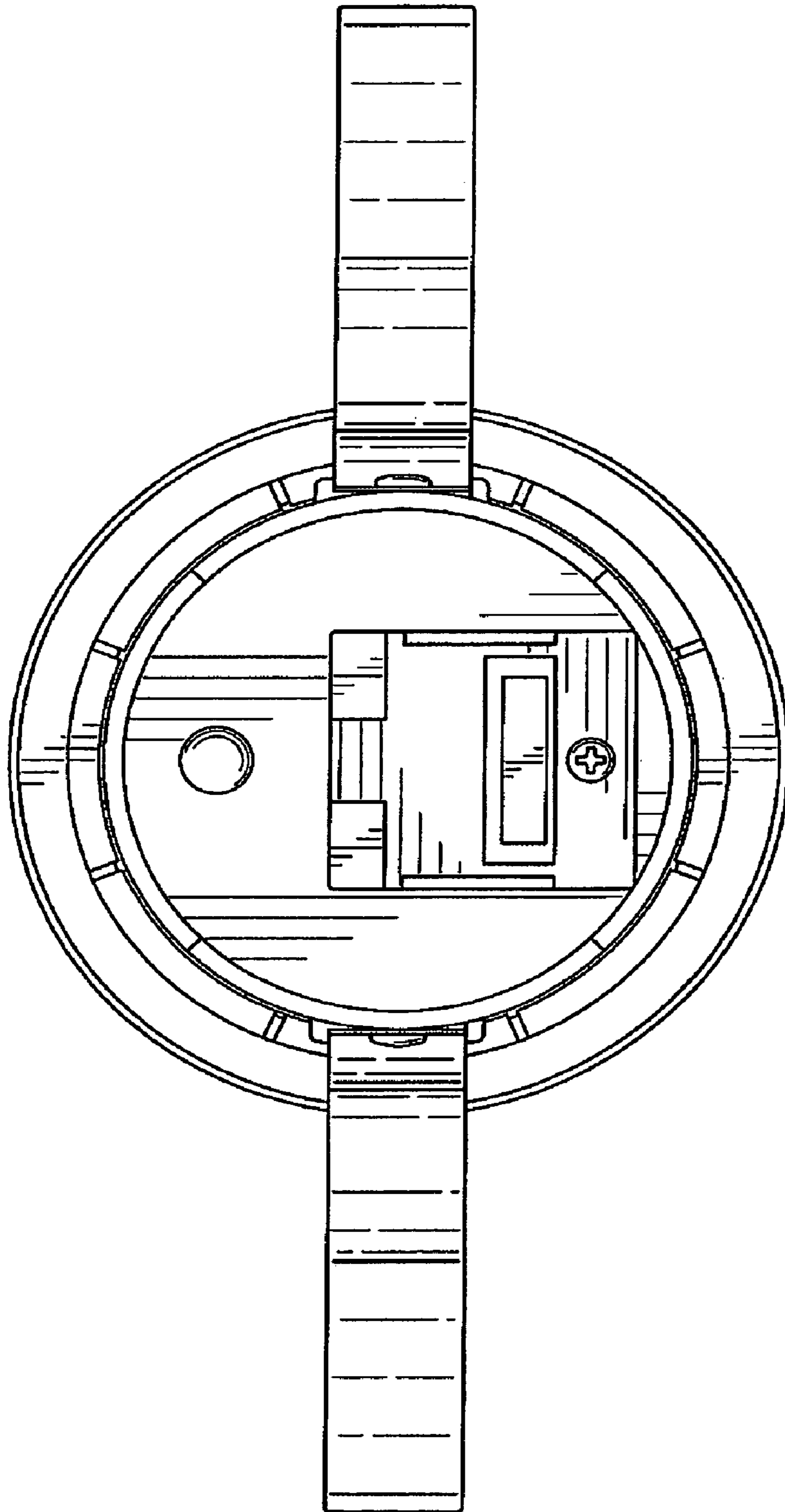


FIG. 5



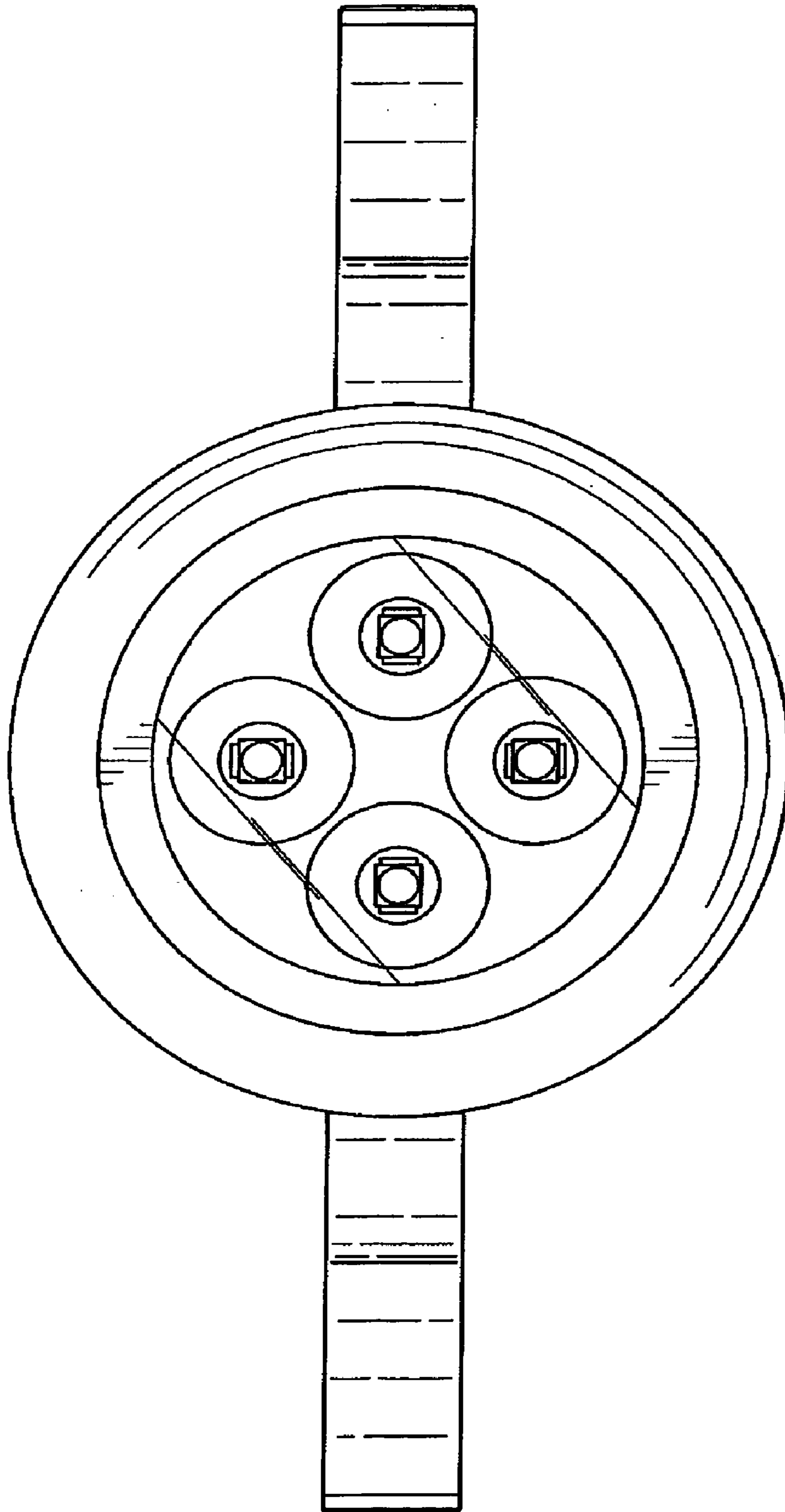


FIG. 6

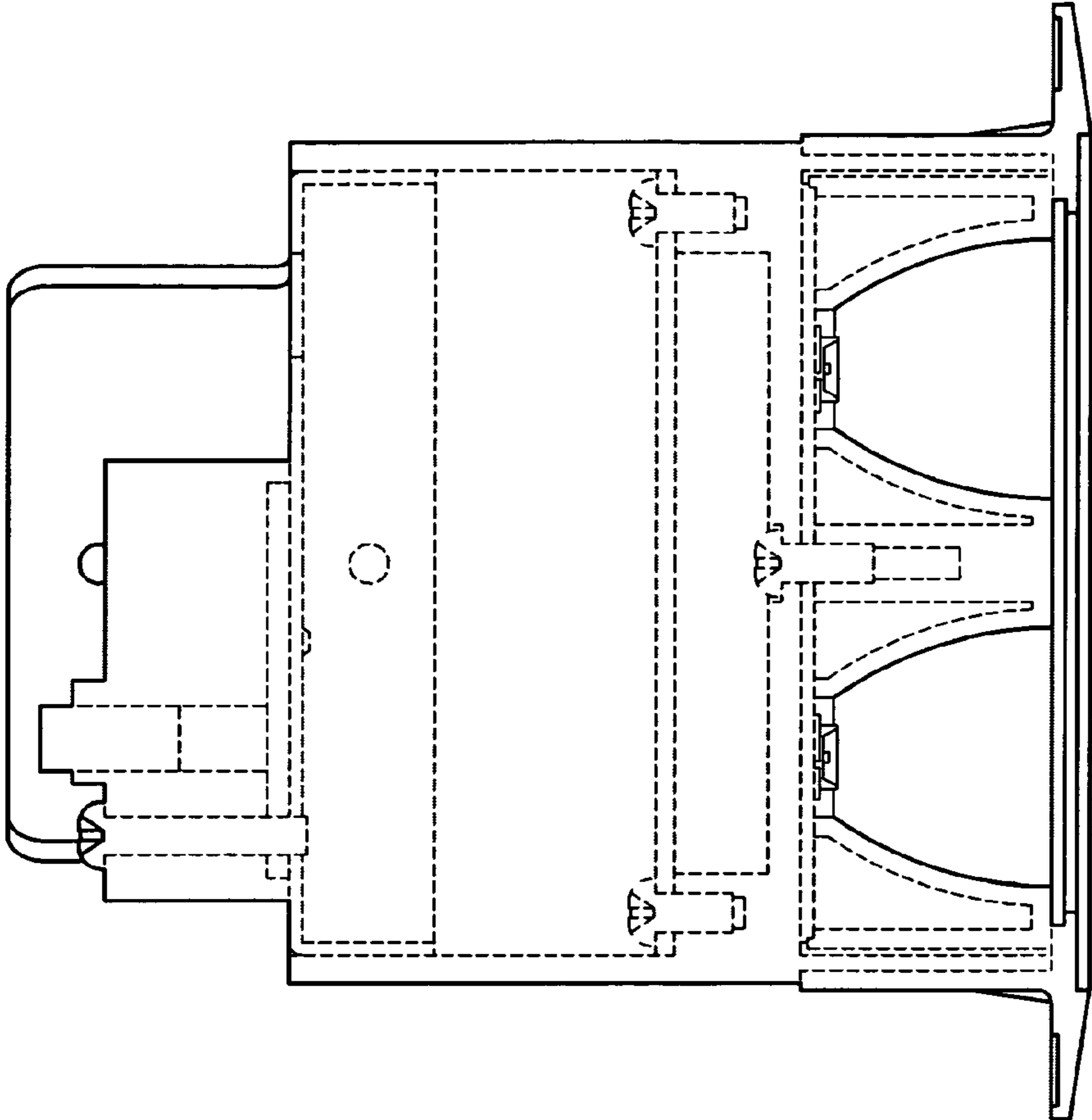


FIG. 7



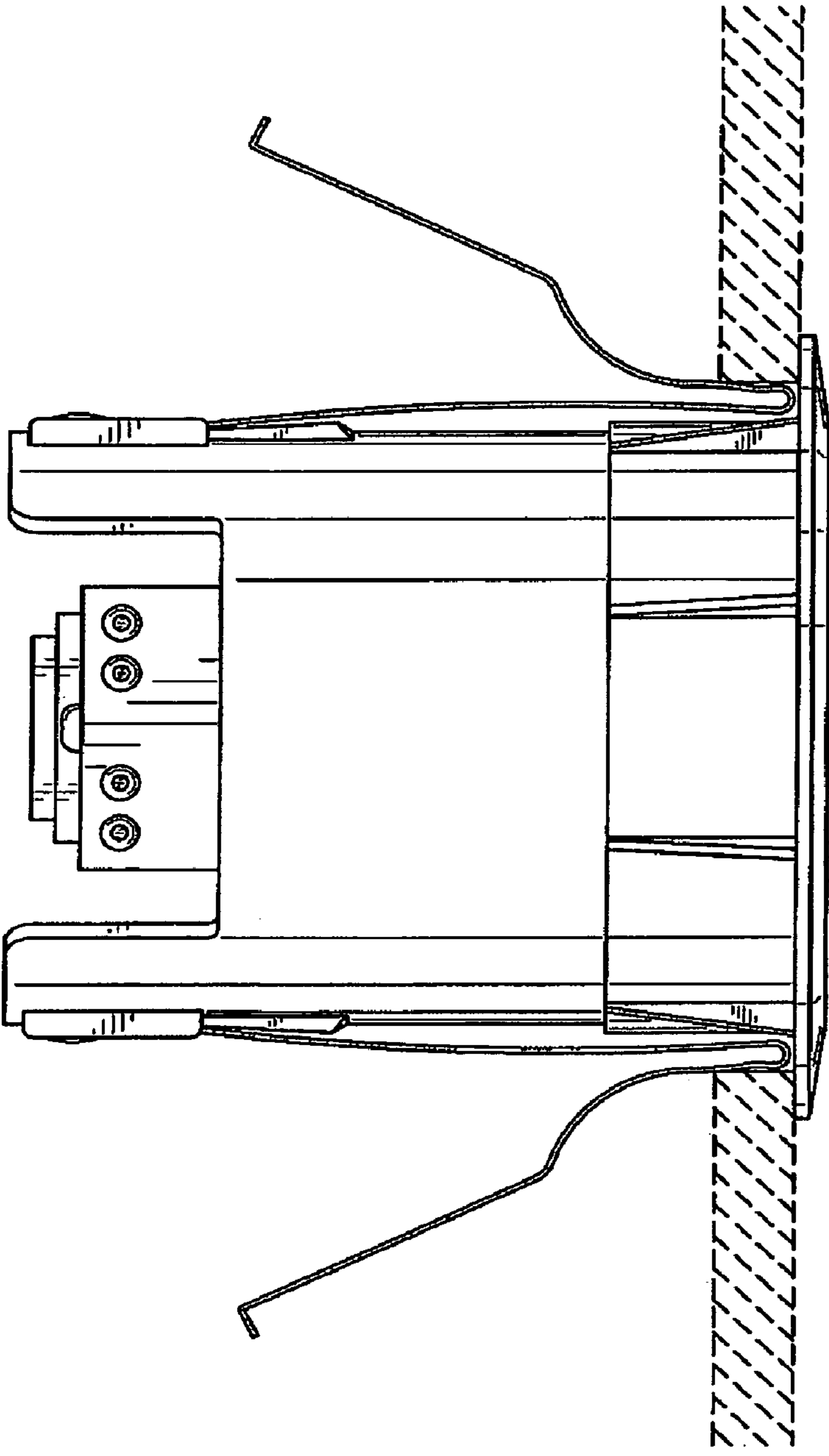


FIG. 8

UNITED STATES PATENT AND TRADEMARK OFFICE  
**CERTIFICATE OF CORRECTION**

PATENT NO. : D574,541 S  
APPLICATION NO. : 29/281154  
DATED : August 5, 2008  
INVENTOR(S) : Matsumoto et al.

Page 1 of 10

It is certified that error appears in the above-identified patent and that said Letters Patent is hereby corrected as shown below:

Please delete the title page and insert the title page showing an illustrative figure as attached.

In the Drawings

Please Delete drawing sheets 1- 8 and insert drawing sheets 1-8 with figures 1-8 as attached.

Signed and Sealed this  
Twenty-first Day of May, 2013



Teresa Stanek Rea  
*Acting Director of the United States Patent and Trademark Office*

(12) **United States Design Patent** (10) Patent No.: **US D574,541 S**  
**Matsumoto et al.** (45) Date of Patent: **\*\* Aug. 5, 2008**

(54) **RECESSED LIGHTING FIXTURE**  
 (75) Inventors: **Jun Matsumoto**, Tokyo (JP); **Keiichi Shimizu**, Tokyo (JP); **Sumio Hashimoto**, Tokyo (JP); **Masaru Inoue**, Tokyo (JP)

(73) Assignee: **Toshiba Lighting & Technology Corporation**, Tokyo (JP)

(\*\*) Term: **14 Years**

(21) Appl. No.: **29/281,154**

(22) Filed: **Jun. 15, 2007**

(30) **Foreign Application Priority Data**  
 Dec. 22, 2006 (JP) ..... 2006-035278

(51) **LOC (8) CL.** ..... **26-05**  
 (52) **U.S. CL.** ..... **D26/74**  
 (58) **Field of Classification Search** ..... D26/26,  
 D26/37, 67, 72, 74, 79, 80, 104, 108, 118,  
 D26/120; 362/147-148, 150, 217, 225, 132,  
 362/260, 262-264, 267, 345, 440; D13/180  
 See application file for complete search history.

(56) **References Cited**  
 U.S. PATENT DOCUMENTS

3,010,013	A *	11-1961	Gunther et al.	362-147
3,927,313	A *	12-1975	Herold	362-234
D255,234	S *	6-1980	Wellward et al.	D14-209
4,574,337	A *	3-1986	Poppentheimer	362-267
D320,862	S *	10-1991	Moeller et al.	D26-24
D326,537	S *	5-1992	Gattari	D26-74
D411,031	S *	6-1999	Conn et al.	D36-118
D437,074	S *	1-2001	Johnson	D26-74
D539,944	S *	4-2007	Igawa et al.	D26-24

D549,186	S *	8-2007	Yuzawa	D13-180
2004/0042203	A1 *	3-2004	Ladstatter	362-147
2005/0036305	A1 *	2-2005	Kersey	362-149
2007/0085103	A1 *	4-2007	Nishioka et al.	257-99

FOREIGN PATENT DOCUMENTS

JP 1138404 2-2002

\* cited by examiner

*Primary Examiner* Robert M. Spear  
*Assistant Examiner* Susan F. Krakower  
 (74) *Attorney, Agent, or Firm* T. C. Patents

(57) **CLAIM**

The ornamental design for a recessed lighting fixture, as shown and described.

**DESCRIPTION**

FIG. 1 is a perspective view of a recessed lighting fixture showing the new design;

FIG. 2 is a front view thereof;

FIG. 3 is a rear view thereof;

FIG. 4 is a right side view thereof, the left side view being a mirror image of the right side view;

FIG. 5 is a top view thereof;

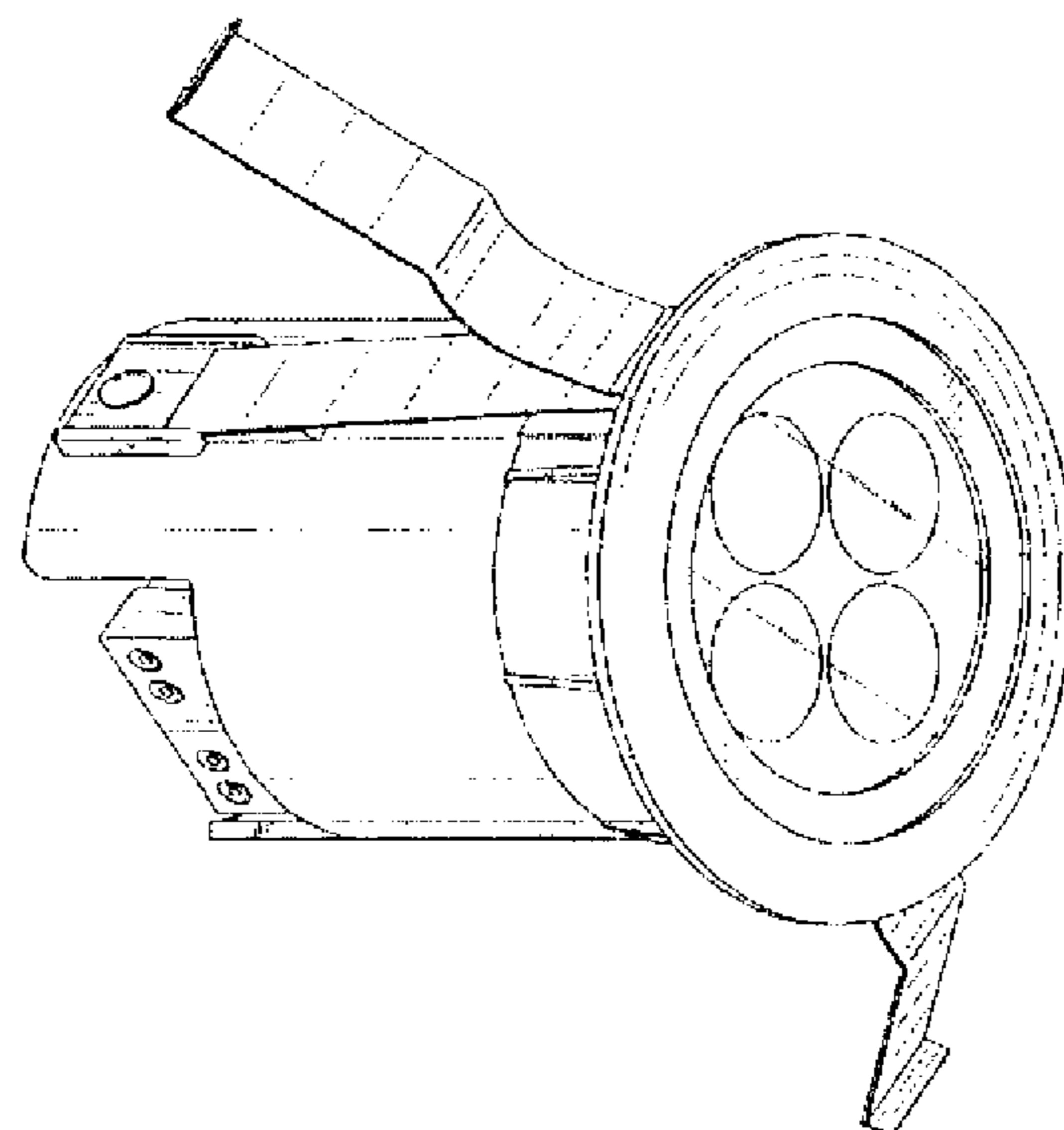
FIG. 6 is a bottom view thereof;

FIG. 7 is an end elevational view in section taken along line 7-7 in FIG. 2 with the internal parts omitted; and,

FIG. 8 is a reference drawing for showing the recessed lighting fixture embedded in the ceiling.

The broken lines in the drawings depict unclaimed environmental subject matter.

**1 Claim, 8 Drawing Sheets**



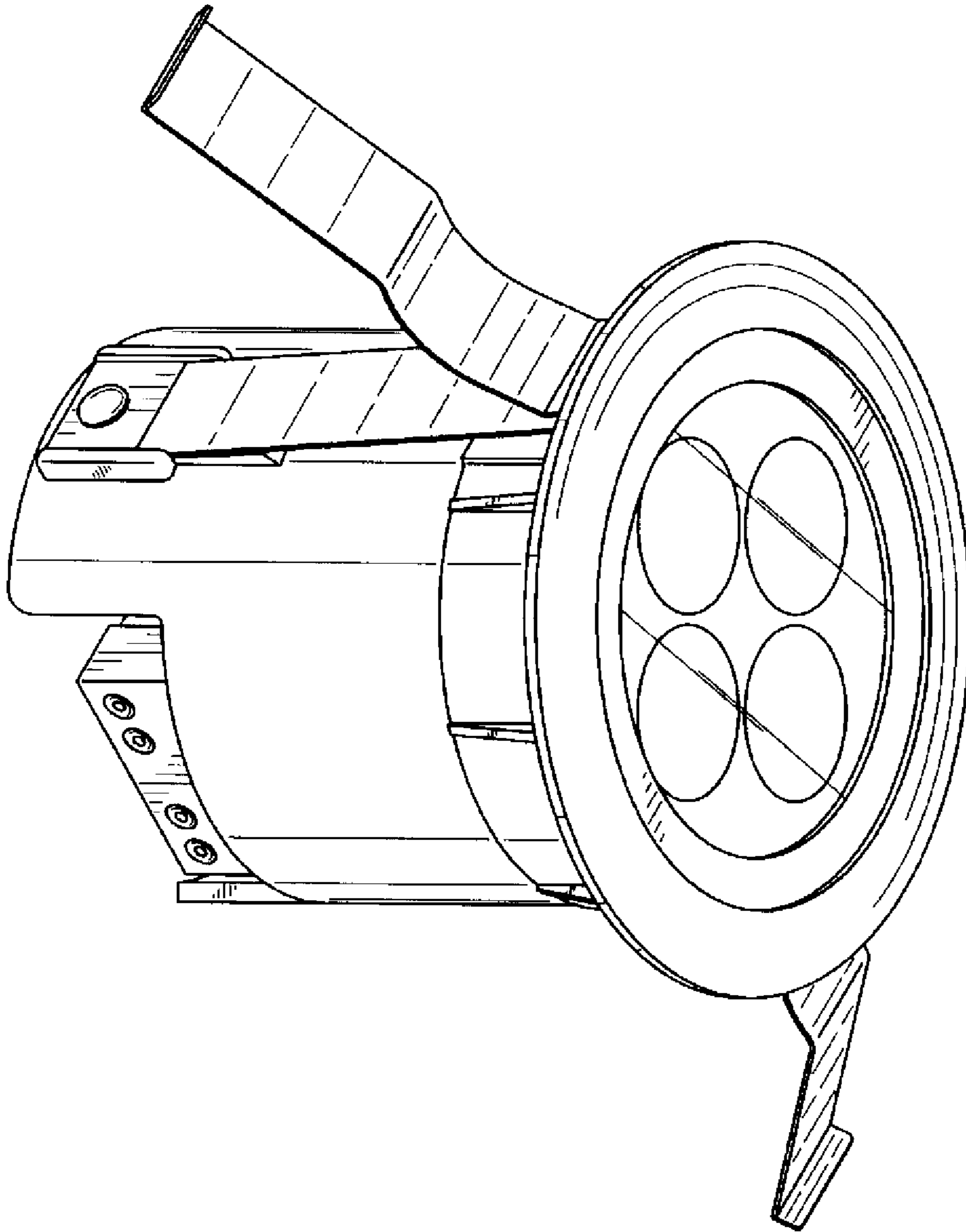


FIG. 1

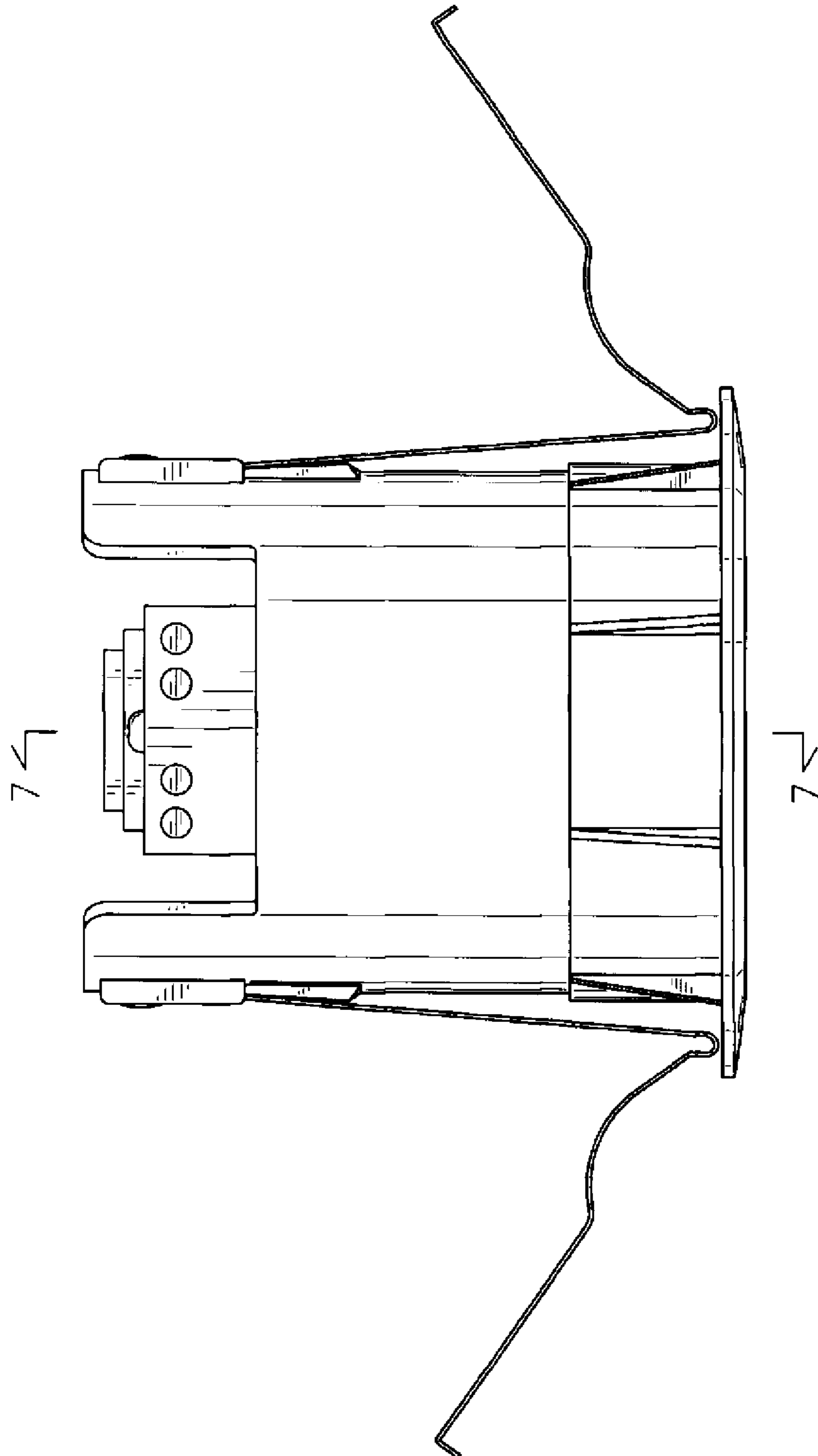


FIG. 2

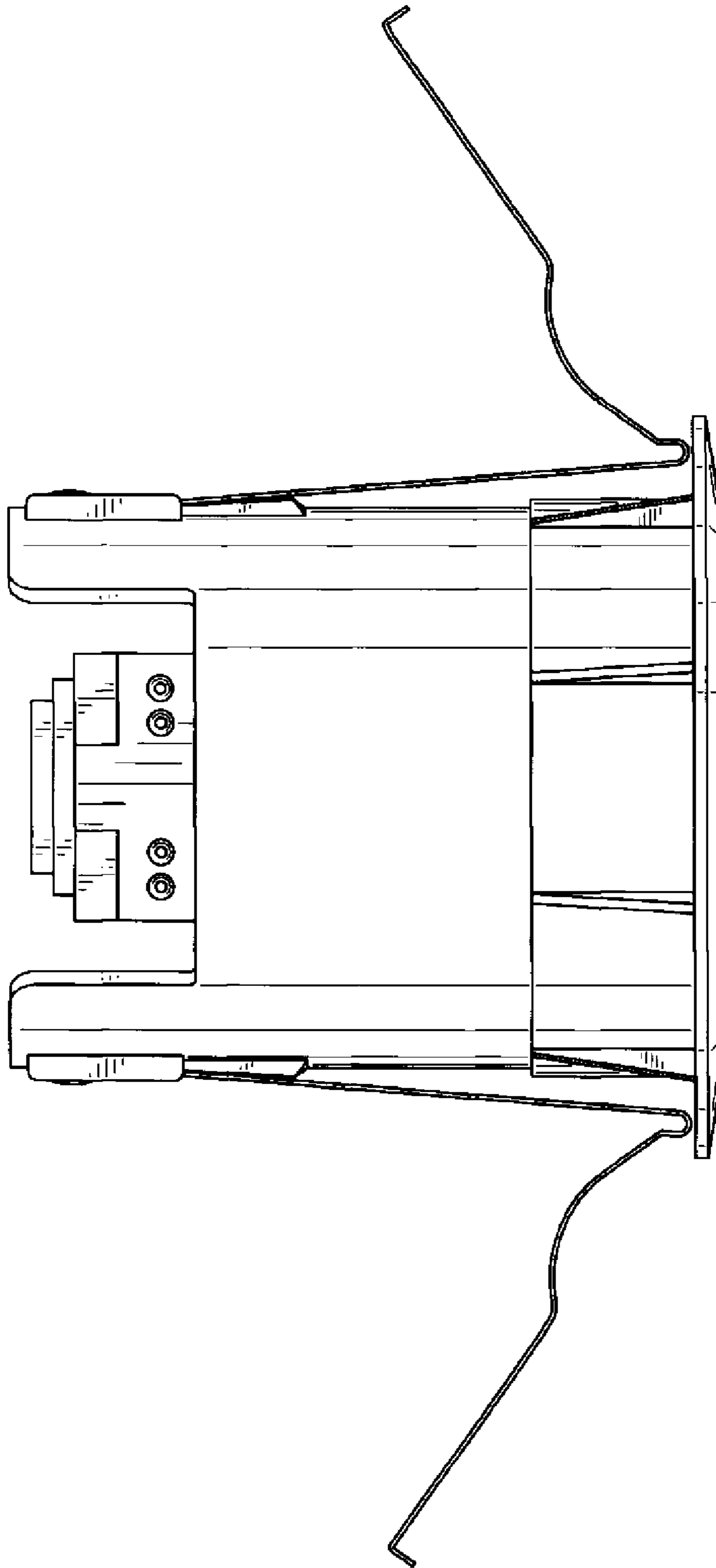


FIG. 3

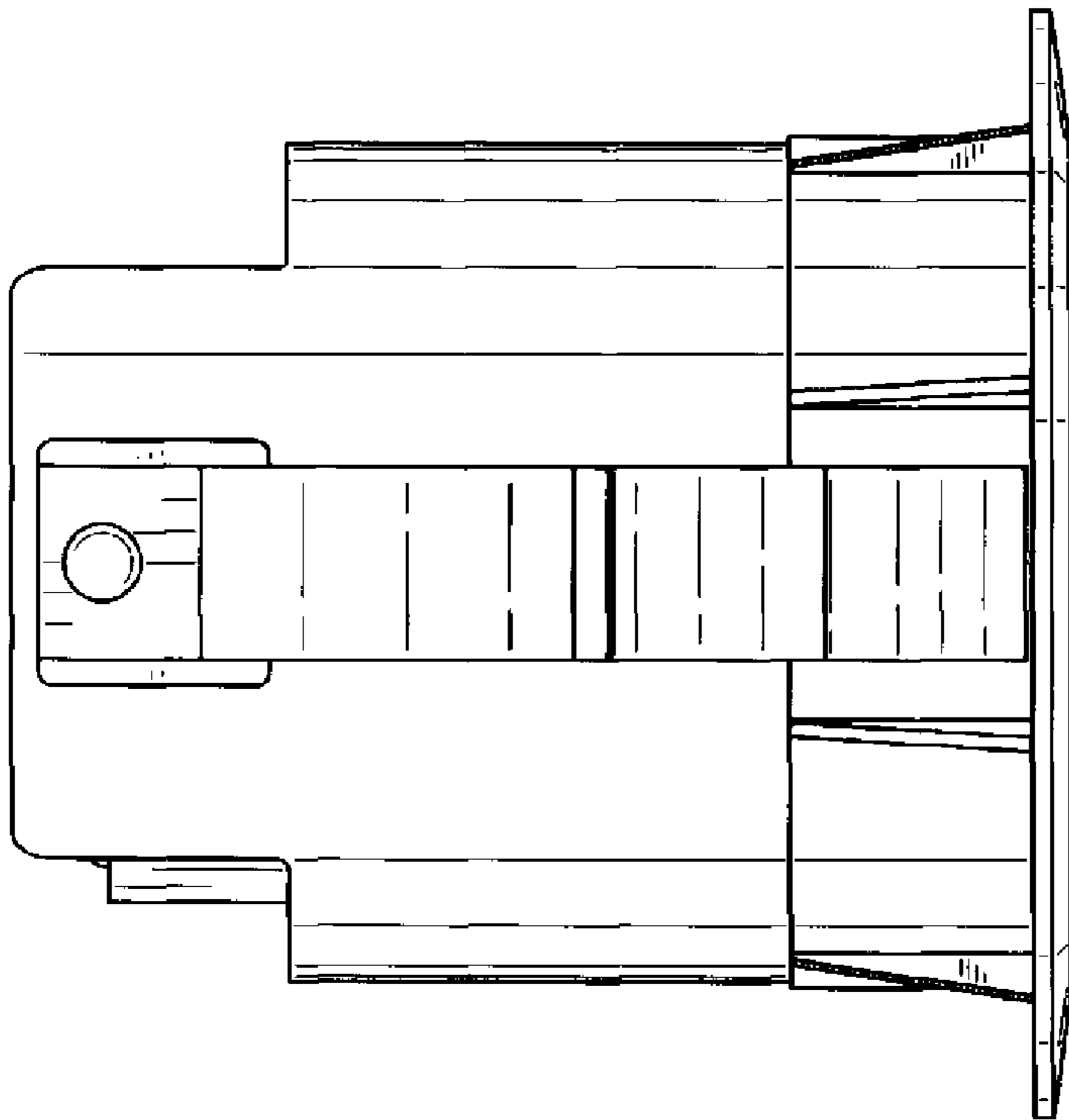


FIG. 4



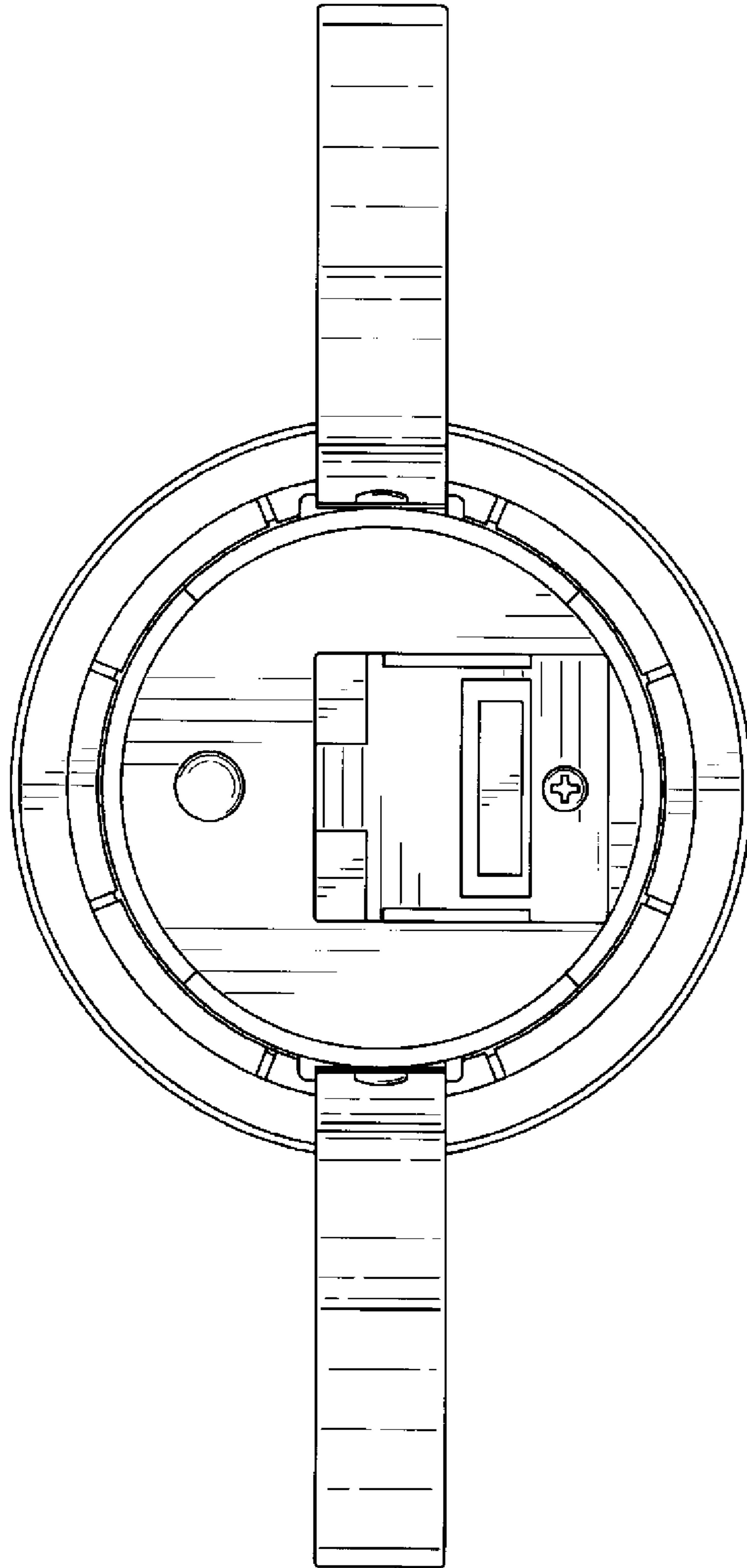


FIG. 5

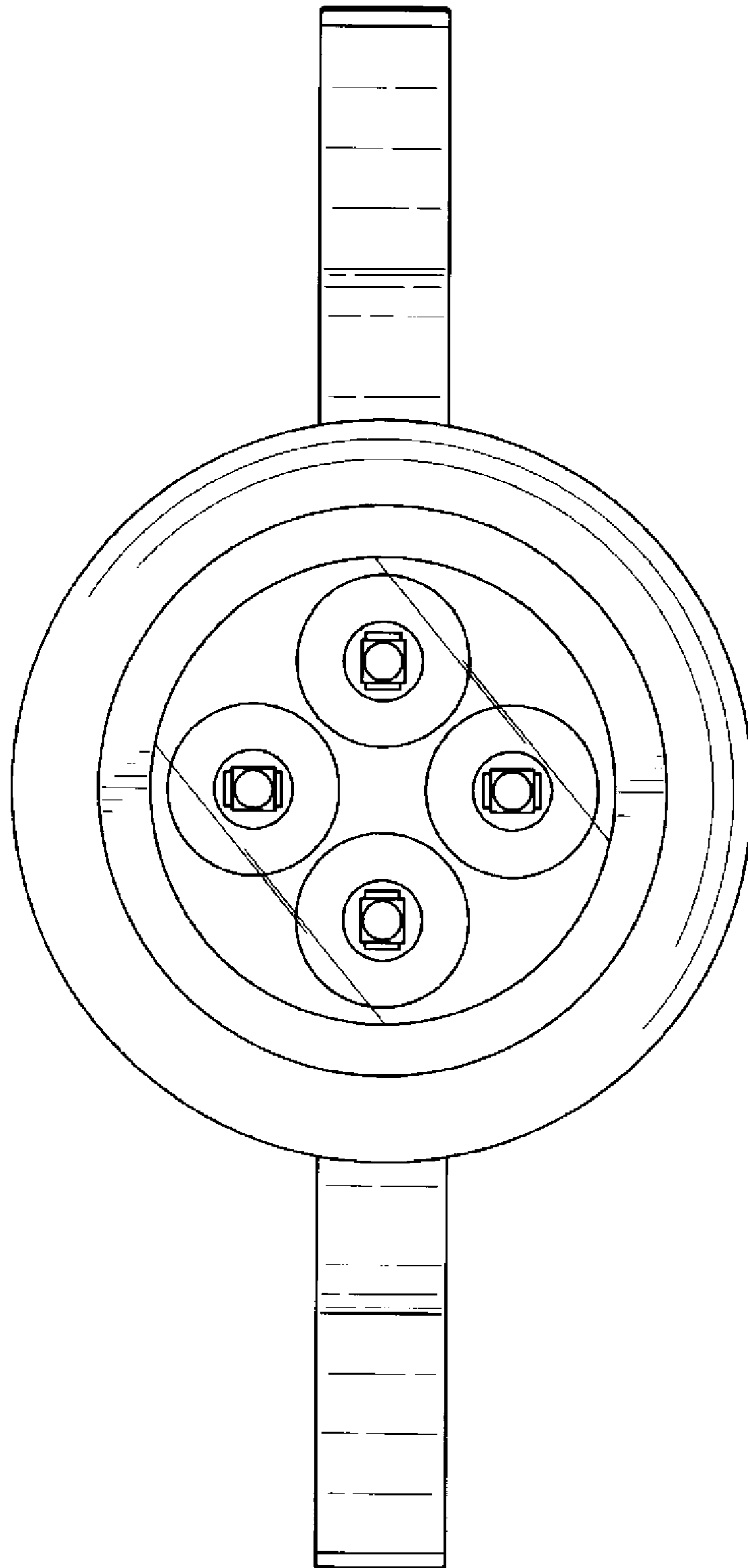


FIG. 6

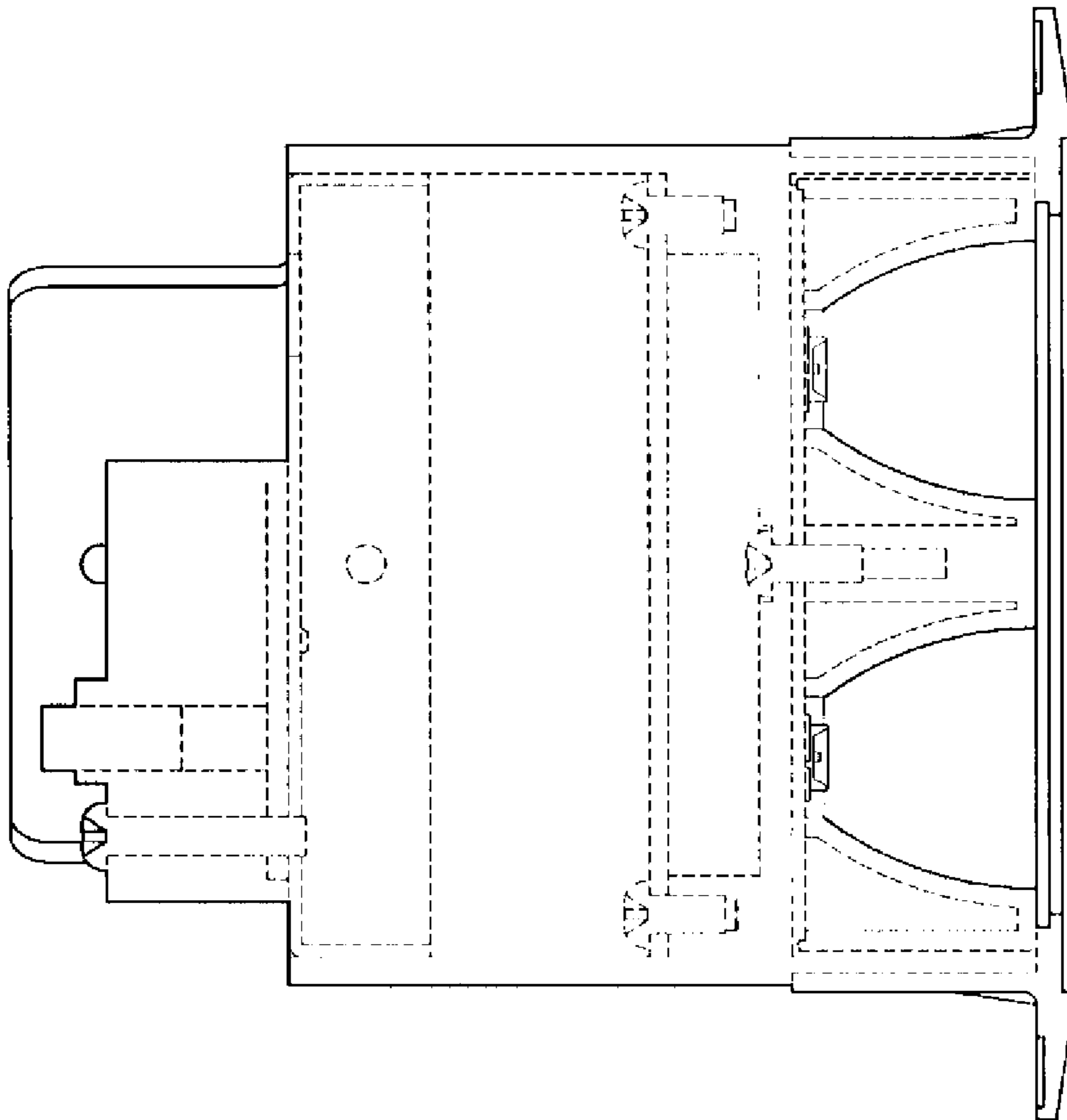


FIG. 7

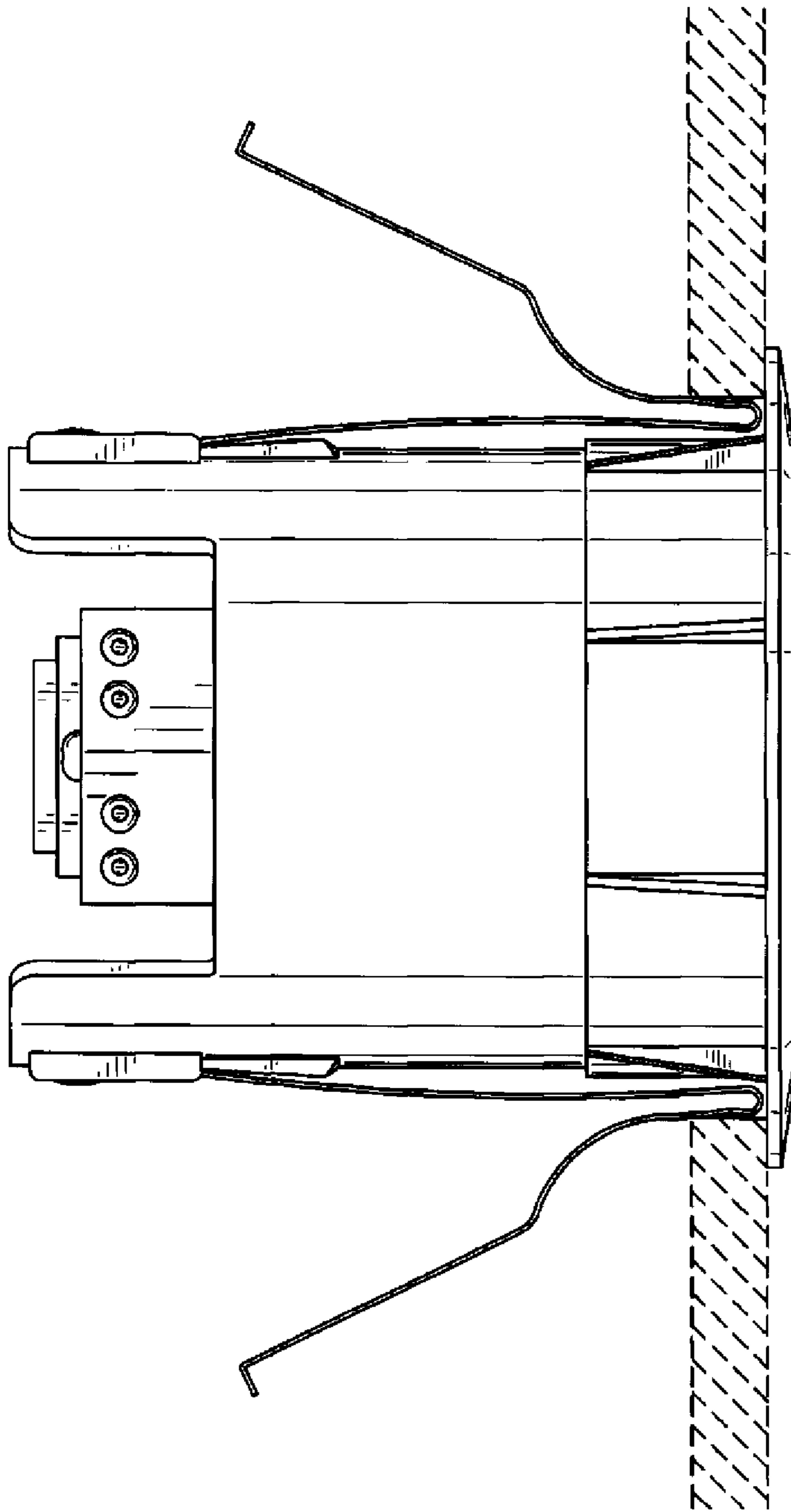


FIG. 8