

US00D574540S

(12) **United States Design Patent**
Citterio

(10) **Patent No.:** **US D574,540 S**

(45) **Date of Patent:** **** Aug. 5, 2008**

(54) **OUTDOOR FLOOR LAMP**

7,278,761 B2 * 10/2007 Kuan 362/431

(75) Inventor: **Antonio Citterio**, Milan (IT)

* cited by examiner

(73) Assignee: **Flos SpA**, Bovezzo-BS (IT)

Primary Examiner—Clare E Heflin

(74) *Attorney, Agent, or Firm*—McGlew & Tuttle, P.C.

(**) Term: **14 Years**

(21) Appl. No.: **29/295,321**

(22) Filed: **Sep. 26, 2007**

(57) **CLAIM**

The ornamental design for an outdoor floor lamp, as shown and described.

(30) **Foreign Application Priority Data**

DESCRIPTION

Apr. 16, 2007 (EM) 000707757

FIG. 1 is a perspective view of a first embodiment of my new outdoor floor lamp design;

Apr. 16, 2007 (EM) 000707757

FIG. 2 is a front elevation view thereof;

(51) **LOC (8) Cl.** **26-05**

FIG. 3 is a rear elevation view thereof;

(52) **U.S. Cl.** **D26/68; D26/107**

FIG. 4 is a top view thereof;

(58) **Field of Classification Search** D26/67-71,
D26/102, 106, 107; 362/183, 431, 101, 102,
362/410, 414

FIG. 5 is a bottom view thereof;

See application file for complete search history.

FIG. 6 is a right side view thereof;

FIG. 7 is a left side view thereof;

(56) **References Cited**

FIG. 8 is a perspective view of a second embodiment of my new outdoor floor lamp design;

U.S. PATENT DOCUMENTS

FIG. 9 is a front elevation view of the embodiment of FIG. 8;

D53,306 S * 5/1919 Laurent D26/102

FIG. 10 is a top view of the embodiment of FIG. 8;

1,317,819 A * 10/1919 Peck D26/69

FIG. 11 is a bottom view of the embodiment of FIG. 8;

D86,494 S * 3/1932 Sutter D26/107

FIG. 12 is a left side view of the embodiment of FIG. 8;

2,472,624 A * 6/1949 Schwartz D26/62

FIG. 13 is a rear view of the embodiment of FIG. 8; and,

D196,600 S * 10/1963 Passman D26/107

FIG. 14 is a right side view of the embodiment of FIG. 8.

D217,063 S * 3/1970 Daito D26/107

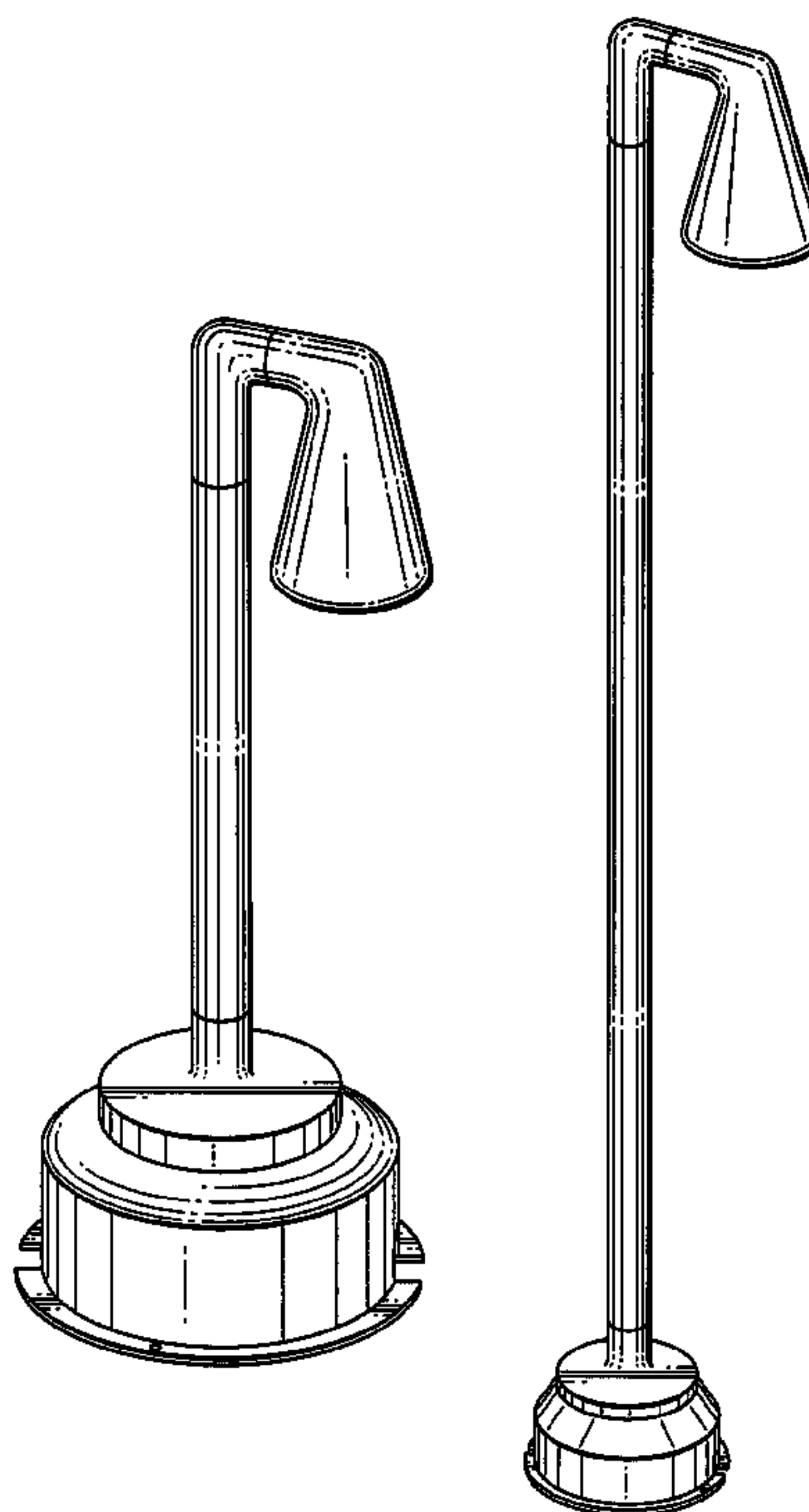
D221,799 S * 9/1971 Johnson D26/107

3,798,438 A * 3/1974 Menichetti 362/431

4,053,761 A * 10/1977 Brinkley D26/71

D291,604 S * 8/1987 Watson D26/68

1 Claim, 6 Drawing Sheets



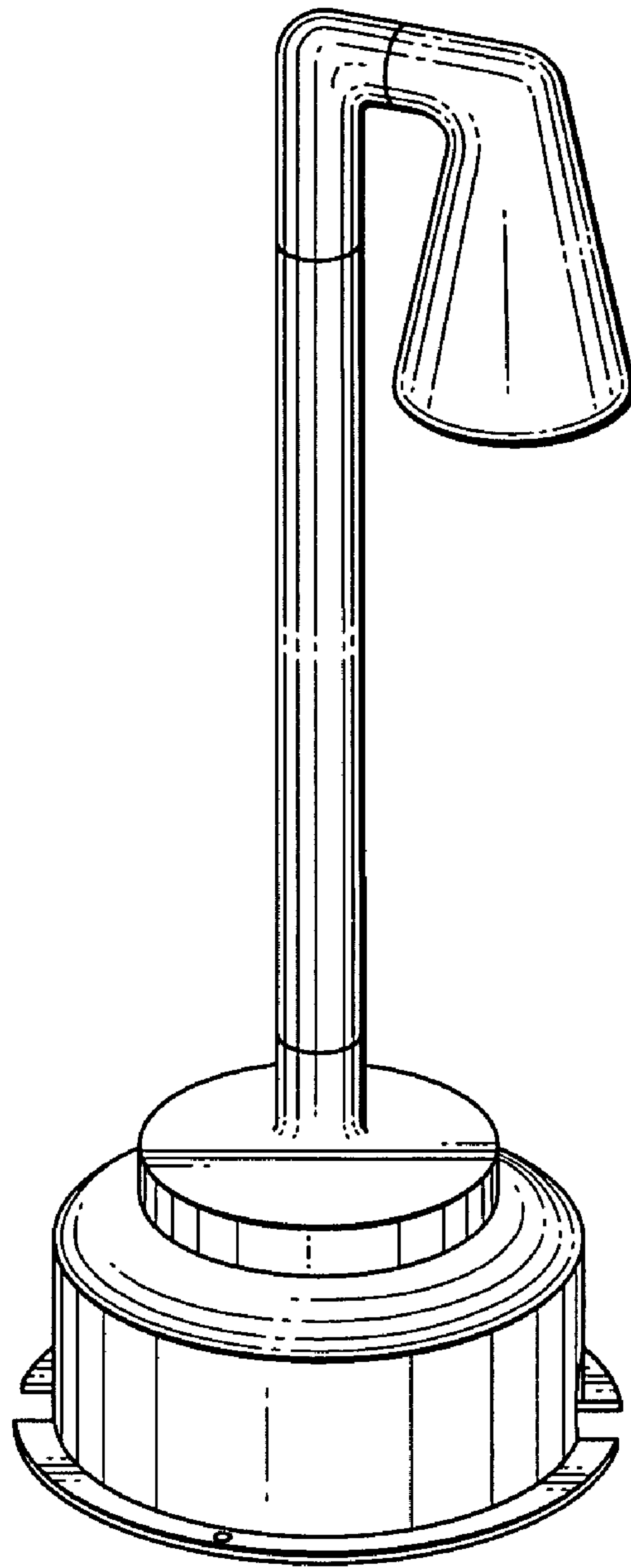


FIG. 1

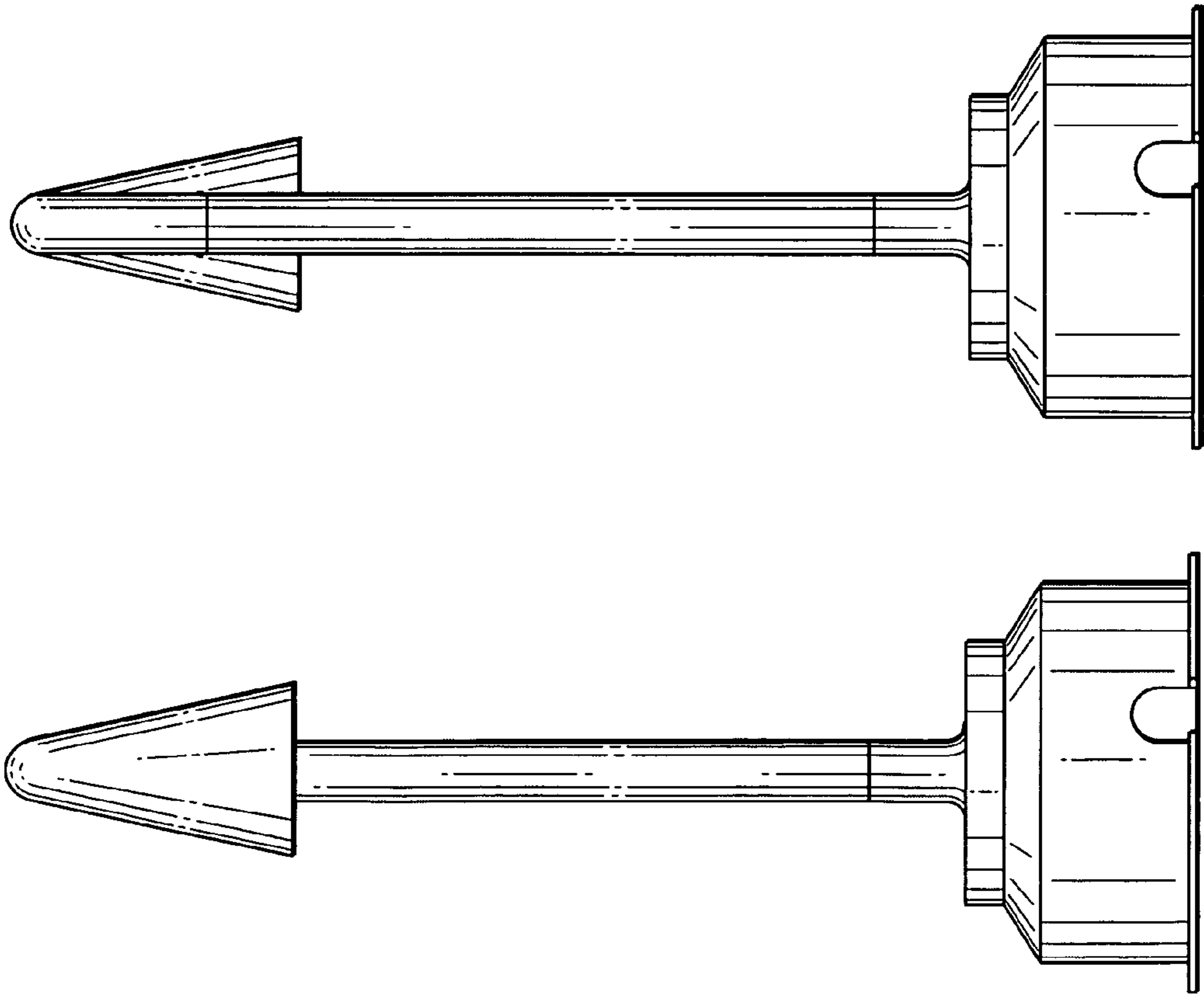


FIG. 3

FIG. 2

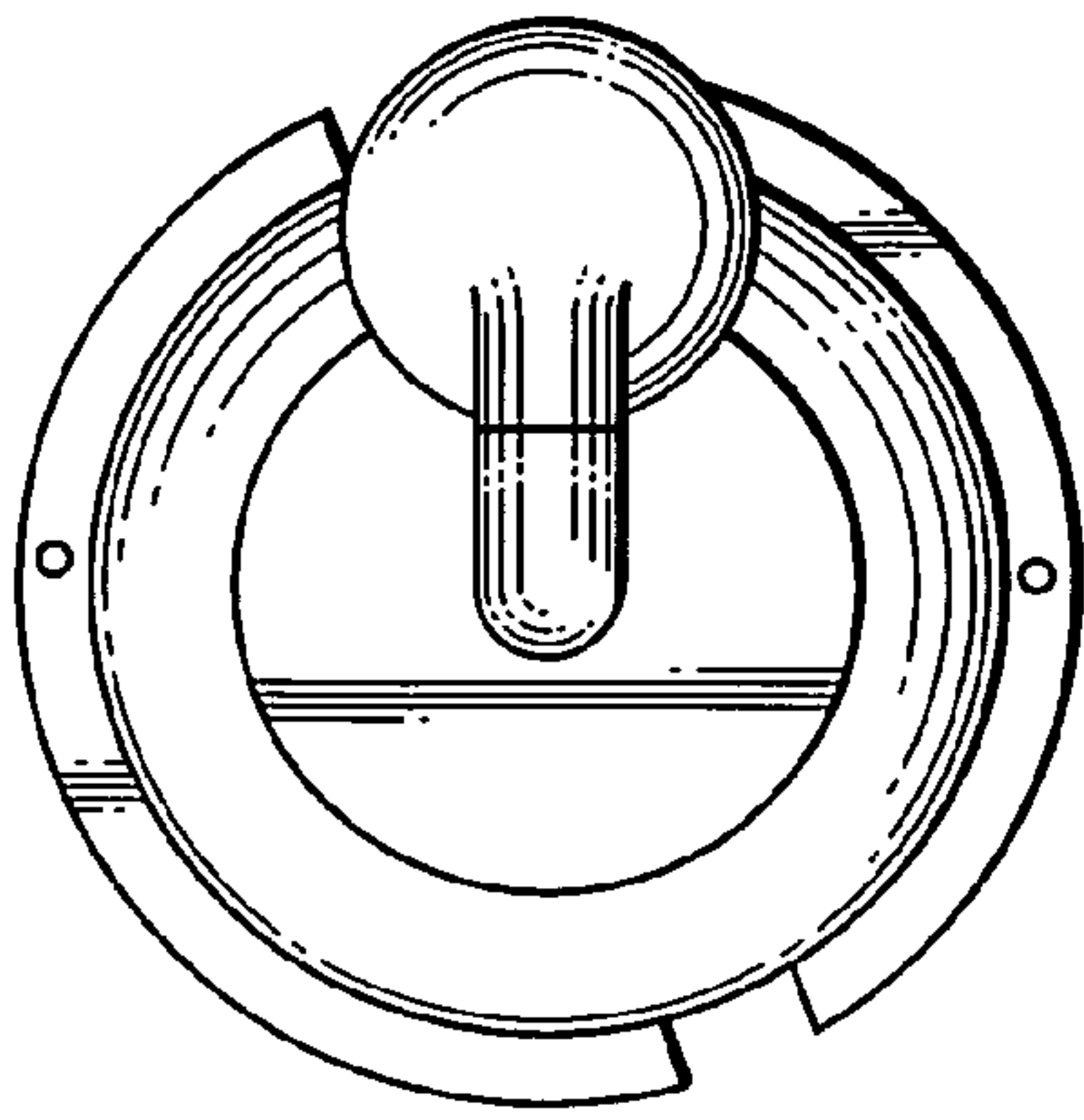


FIG. 4

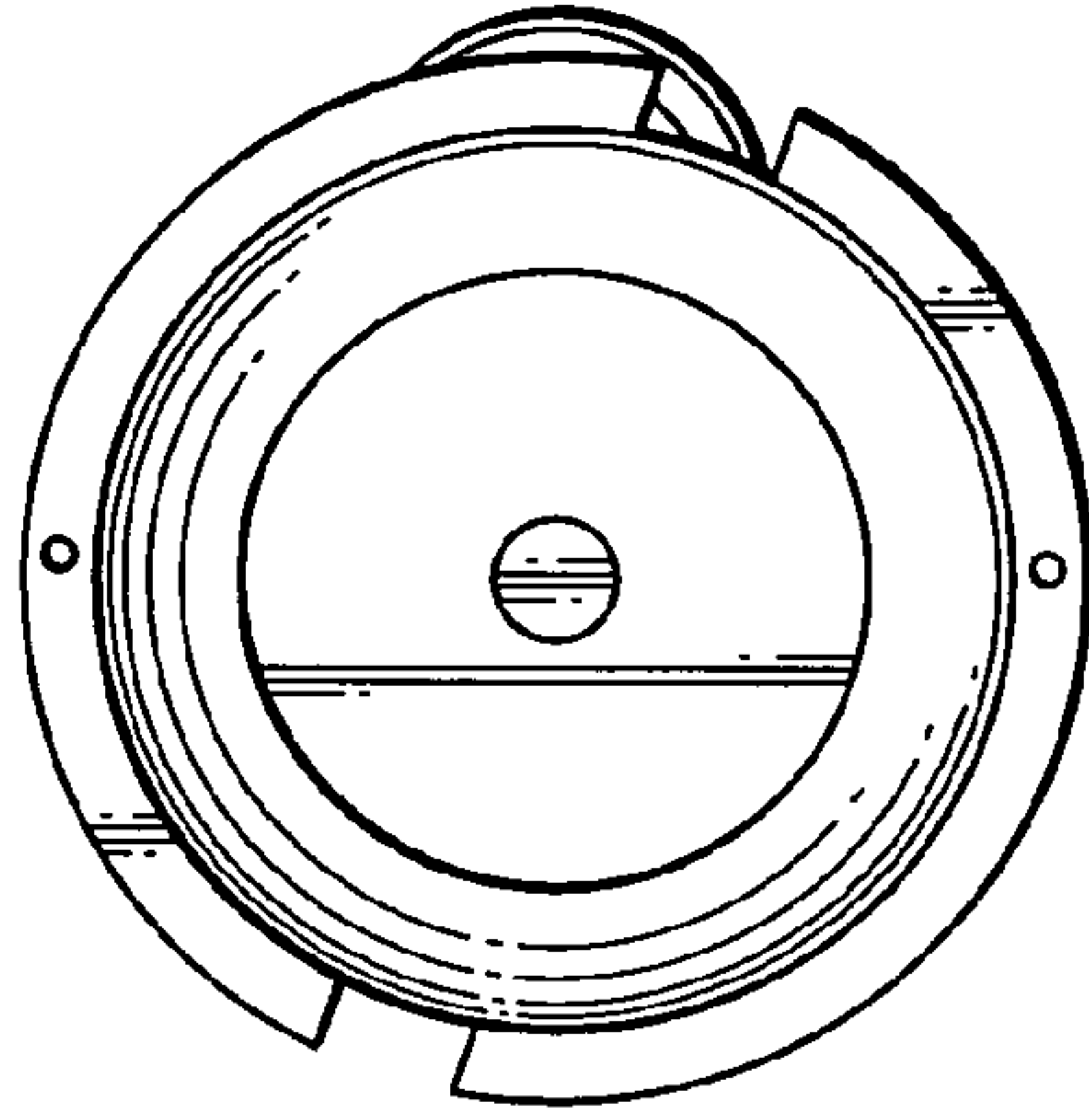


FIG. 5

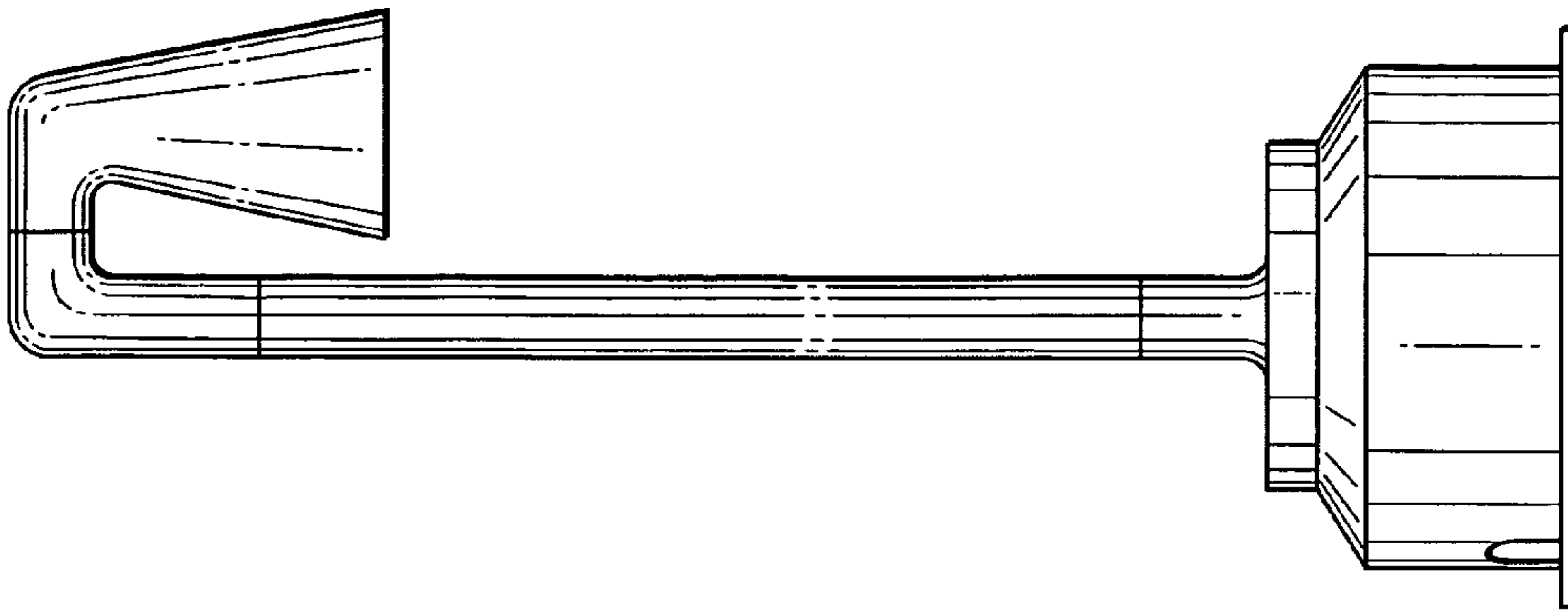


FIG. 7

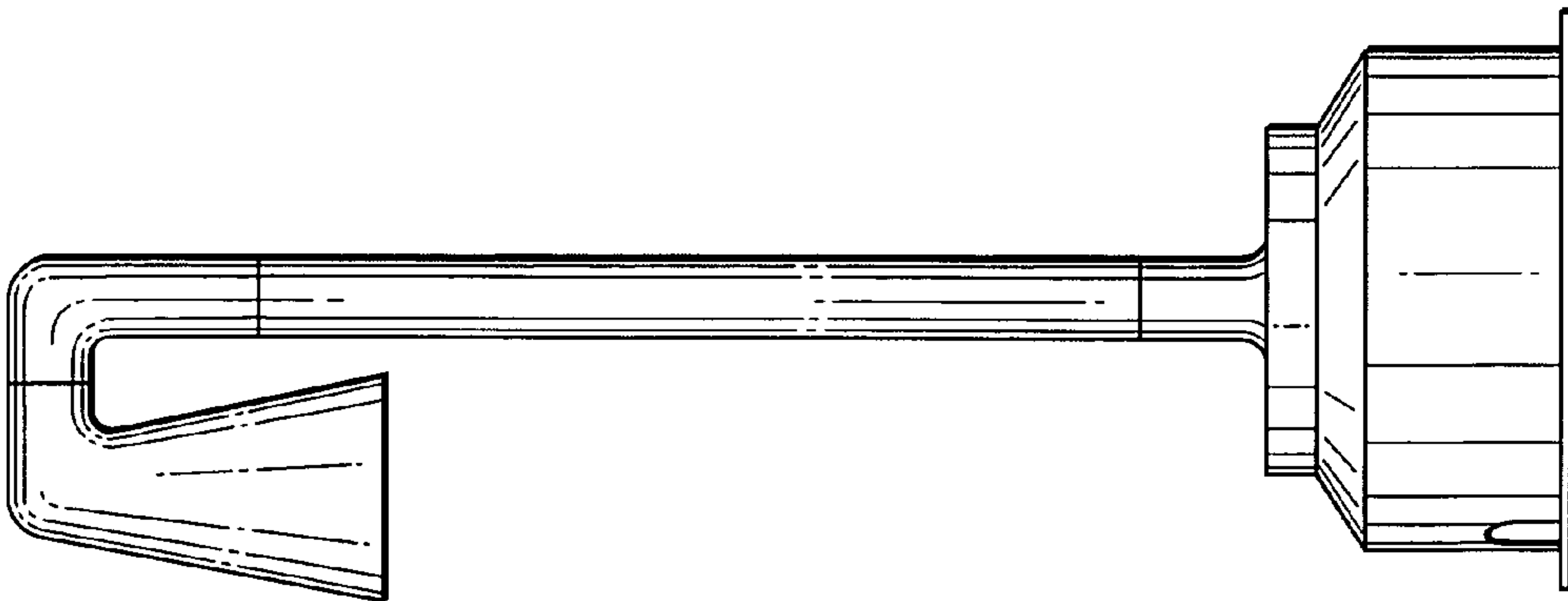


FIG. 6

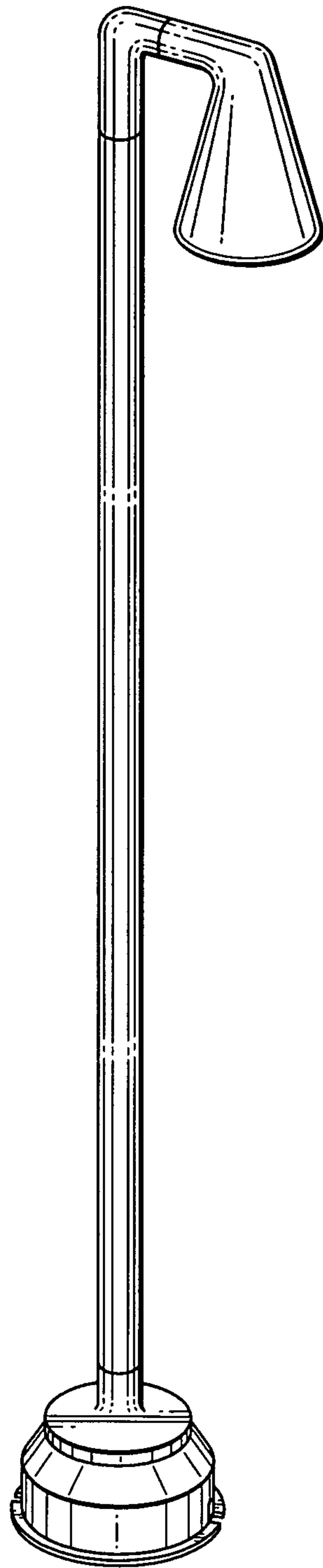


FIG. 8

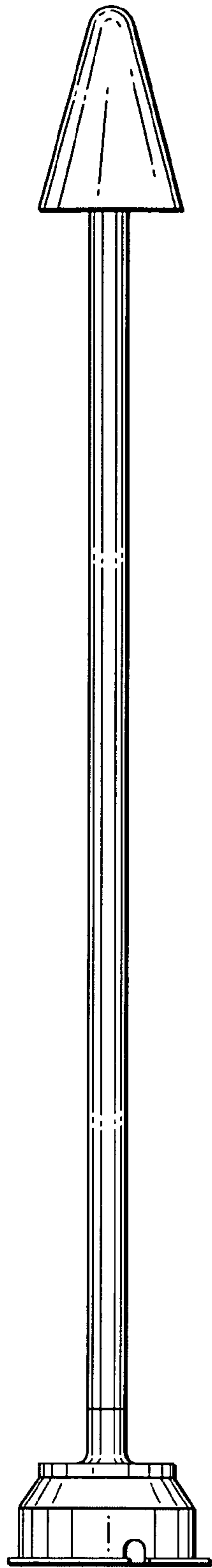


FIG. 9

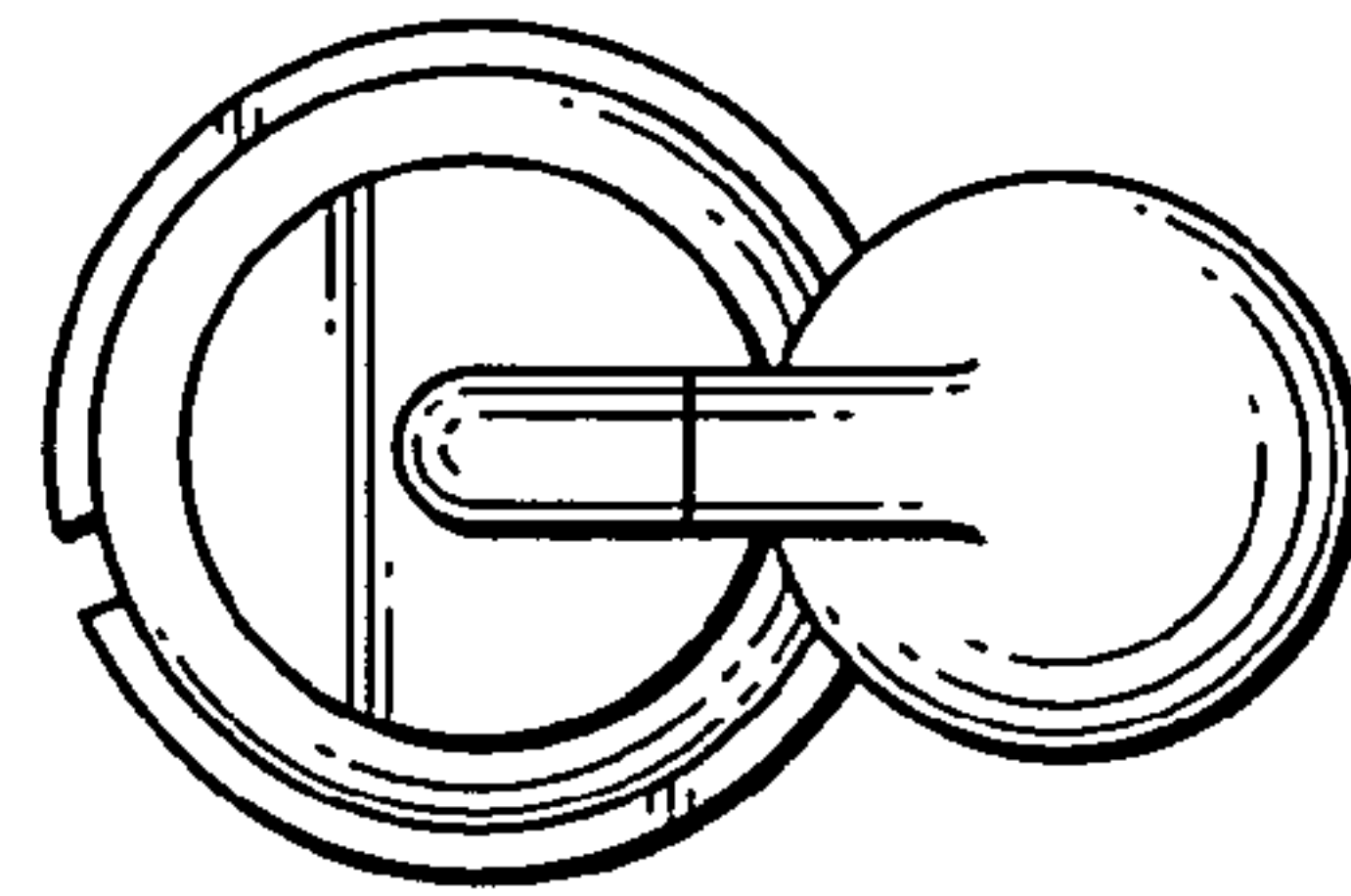


FIG. 10

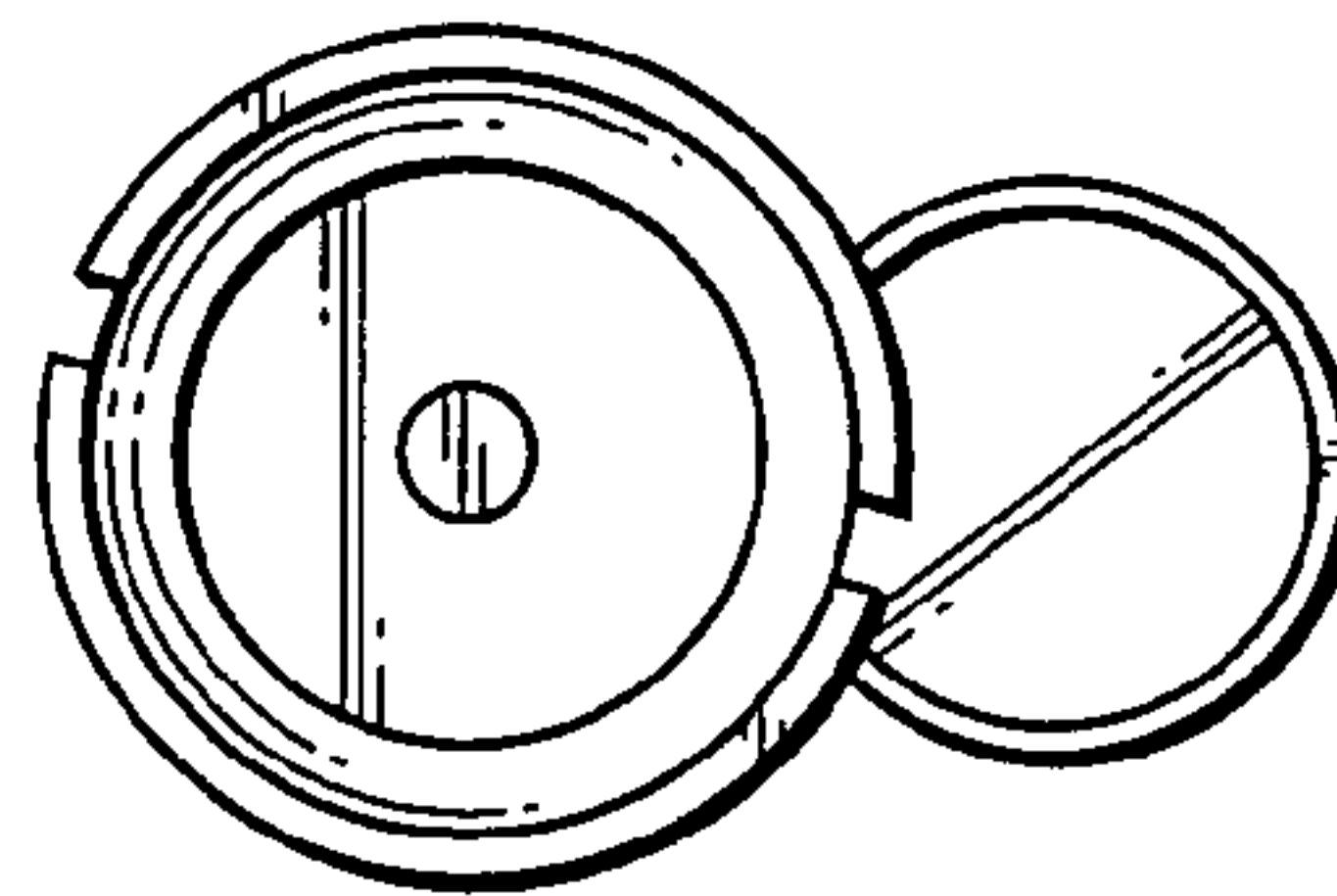


FIG. 11

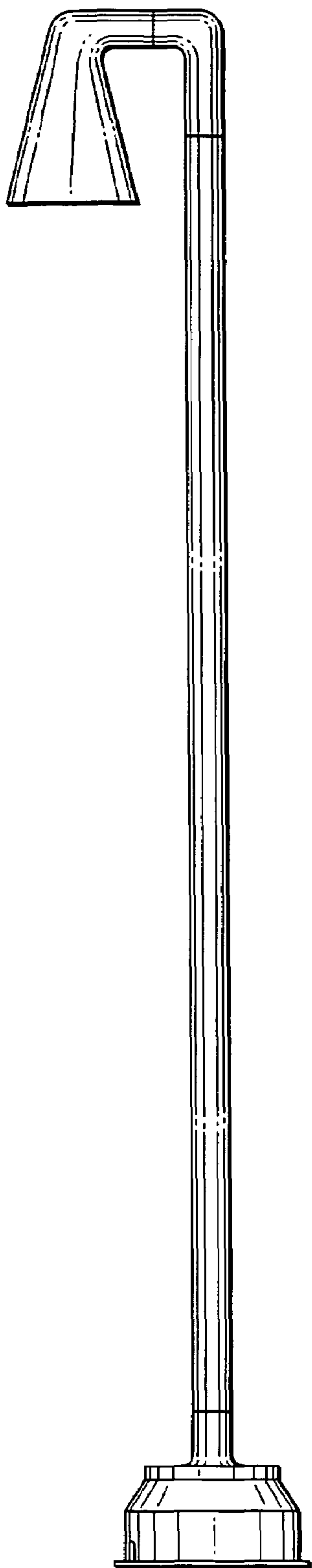


FIG. 12

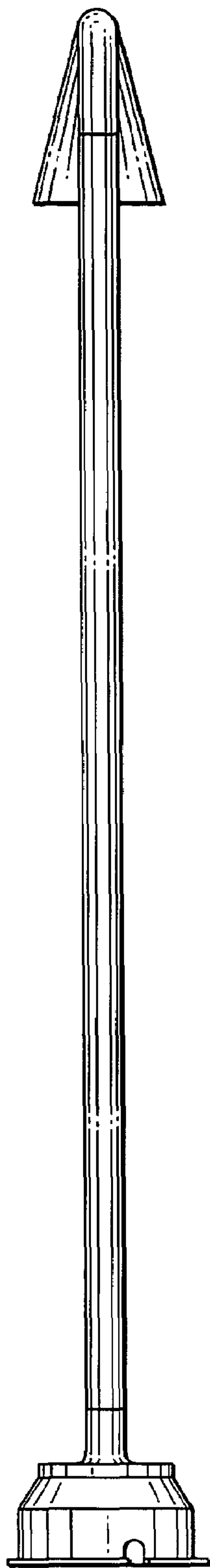


FIG. 13

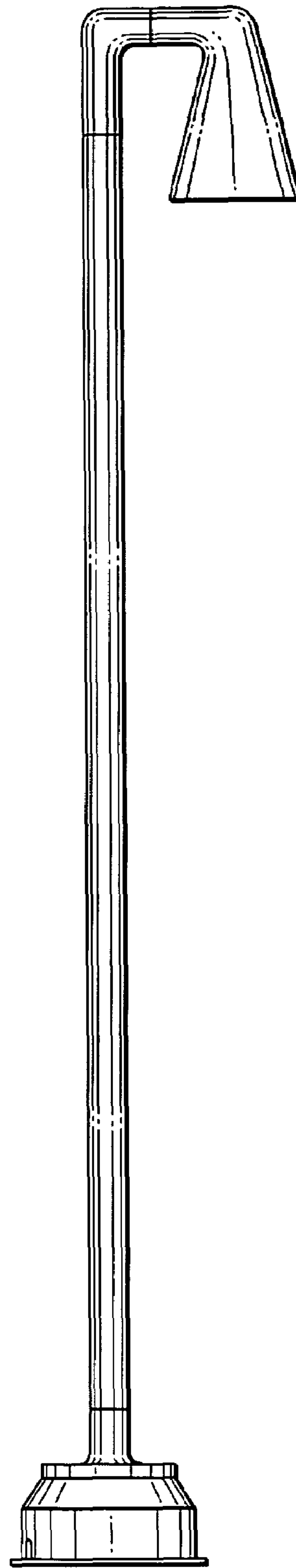


FIG. 14