



US00D574535S

(12) **United States Design Patent**
Sanoner

(10) **Patent No.:** **US D574,535 S**

(45) **Date of Patent:** **** Aug. 5, 2008**

(54) **SOLAR LIGHT**

(75) Inventor: **Hughes Marie Sanoner**, Discovery Bay (HK)

(73) Assignee: **Solar Wide Industrial Limited**, Tsuen Wan, New Territories, Hong Kong (CN)

(**) Term: **14 Years**

(21) Appl. No.: **29/294,218**

(22) Filed: **Dec. 28, 2007**

(30) **Foreign Application Priority Data**

Sep. 27, 2007 (EM) 000798004-0014

(51) **LOC (8) Cl.** **26-05**

(52) **U.S. Cl.** **D26/67; D26/92**

(58) **Field of Classification Search** D26/67-71, D26/102, 106, 107, 87, 92; 362/183, 431, 362/101, 102

See application file for complete search history.

(56) **References Cited**

U.S. PATENT DOCUMENTS

3,104,064 A * 9/1963 Bellek 362/267
3,721,516 A * 3/1973 Reese 431/202

4,954,936 A * 9/1990 Kawabata et al. 362/249
D438,322 S * 2/2001 Skradski et al. D26/68
6,612,720 B1 * 9/2003 Beadle 362/287
D519,663 S * 4/2006 Wead D26/68
D531,748 S * 11/2006 Sanoner D26/68
D551,790 S * 9/2007 Richmond D26/67

* cited by examiner

Primary Examiner—Clare E Heflin

(74) *Attorney, Agent, or Firm*—Alix, Yale & Ristas, LLP

(57) **CLAIM**

The ornamental design for a solar light, as shown and described.

DESCRIPTION

FIG. 1 is a front and top end perspective view of a solar light showing my new design;

FIG. 2 is a front elevational view thereof;

FIG. 3 is a rear elevational view thereof;

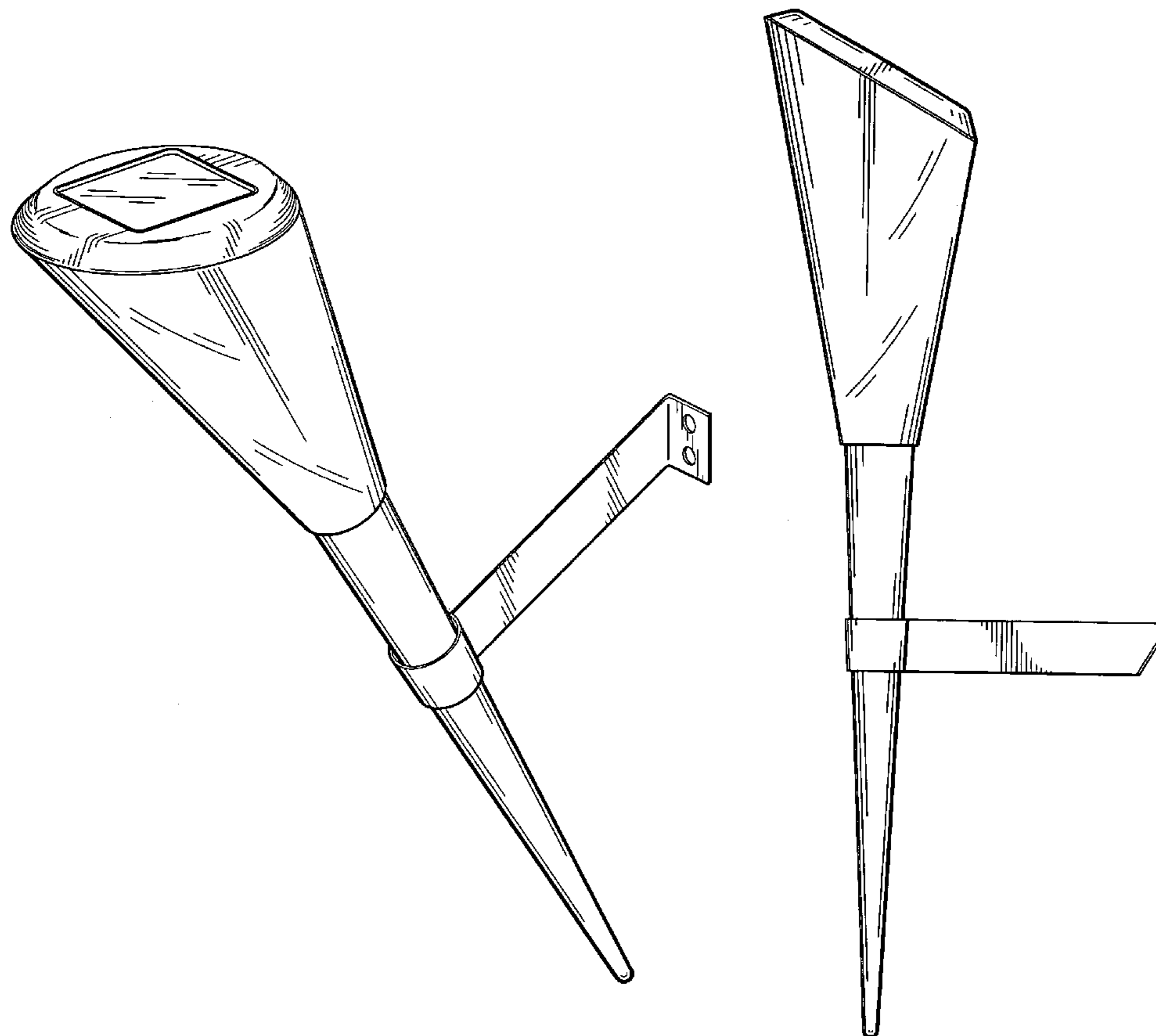
FIG. 4 is a left side elevational view thereof;

FIG. 5 is a right side elevational view thereof;

FIG. 6 is a top plan view thereof; and,

FIG. 7 is a bottom plan view thereof.

1 Claim, 4 Drawing Sheets



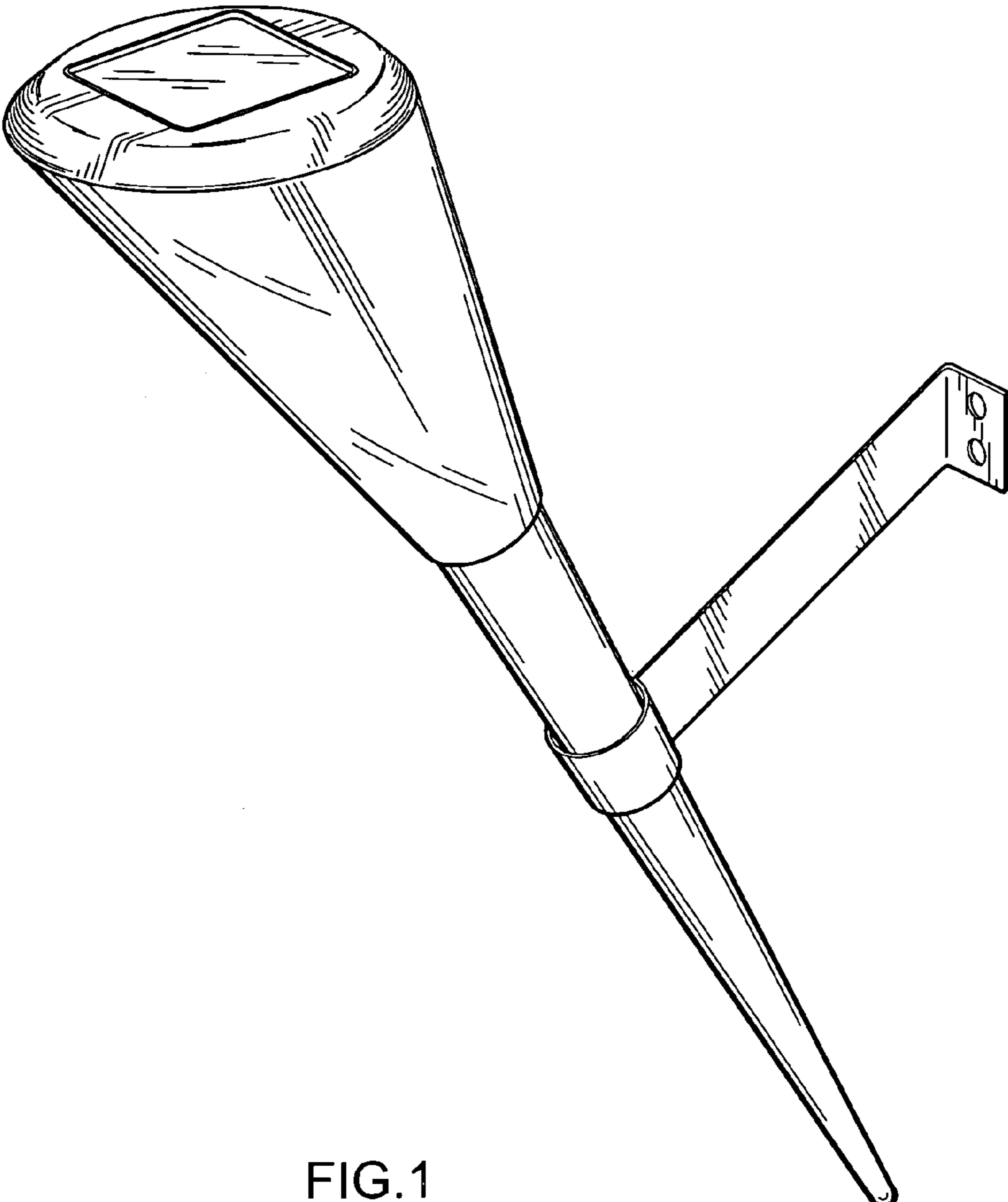


FIG.1

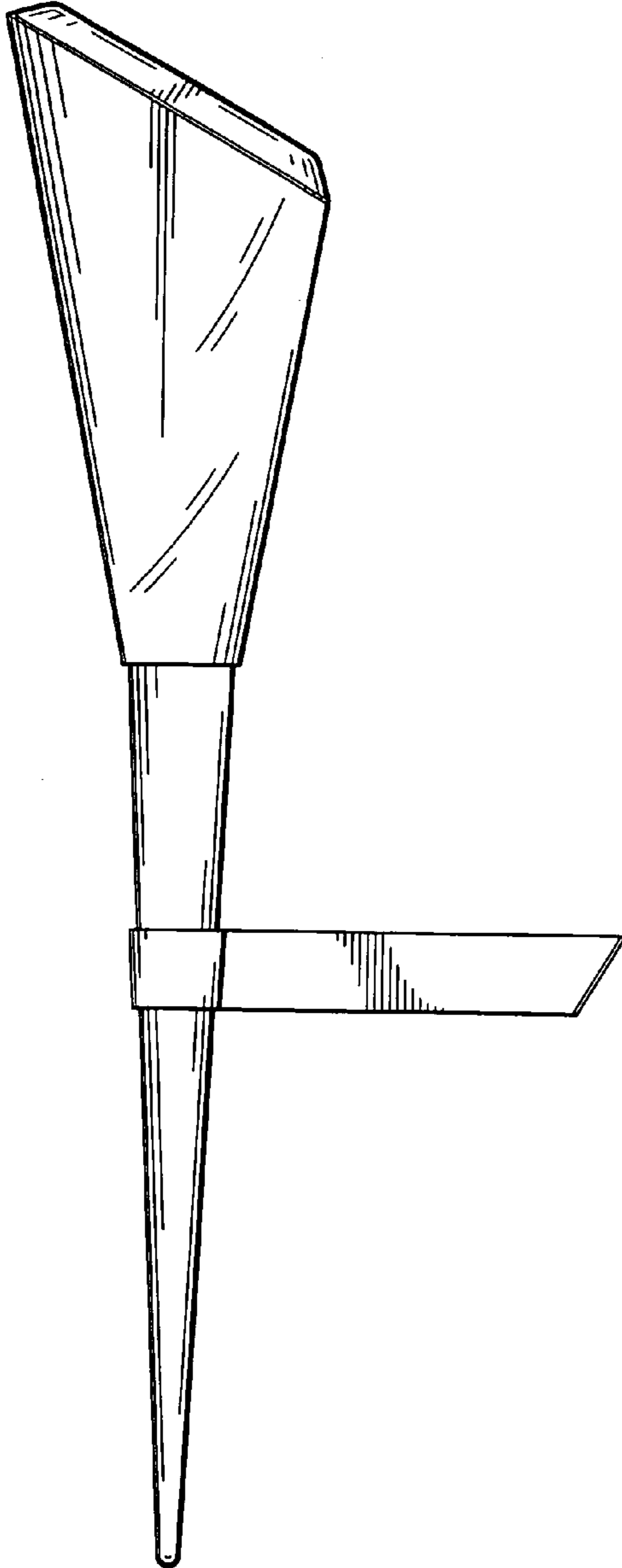


FIG. 2

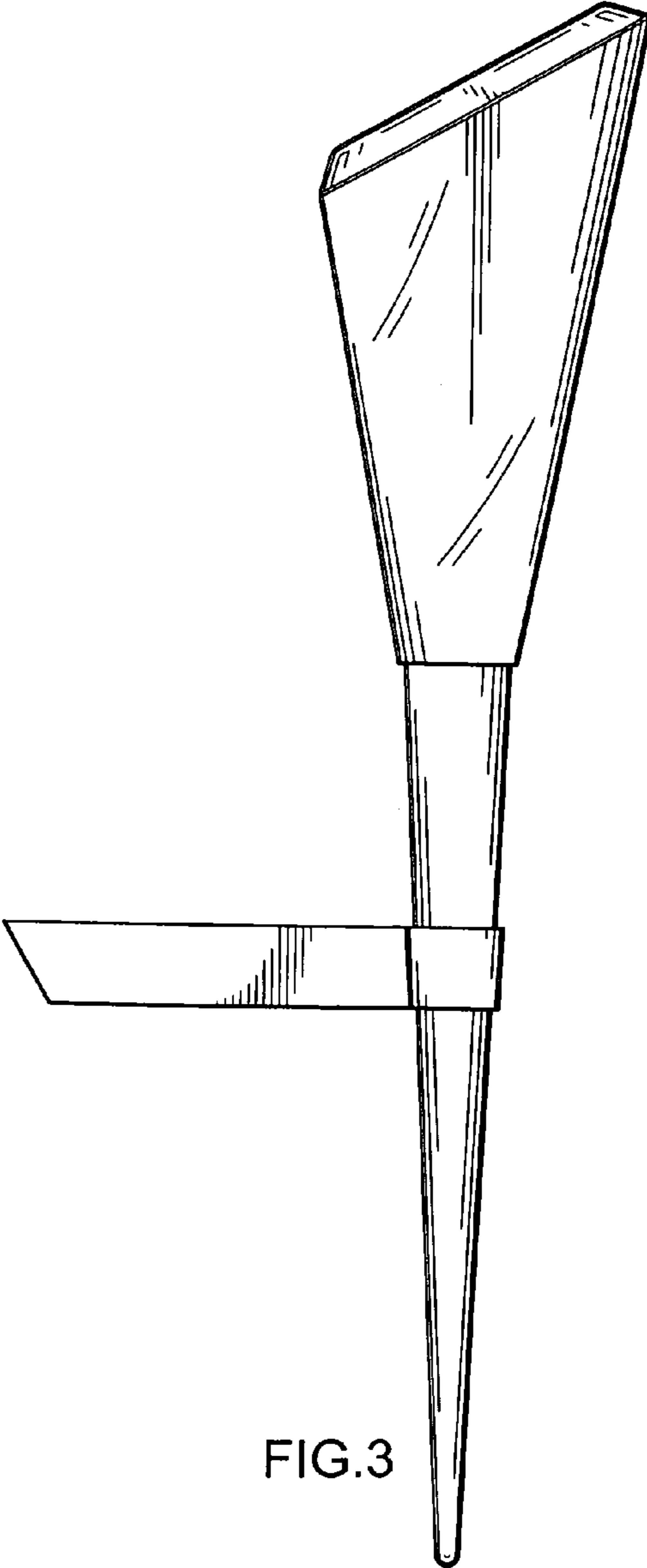


FIG. 3

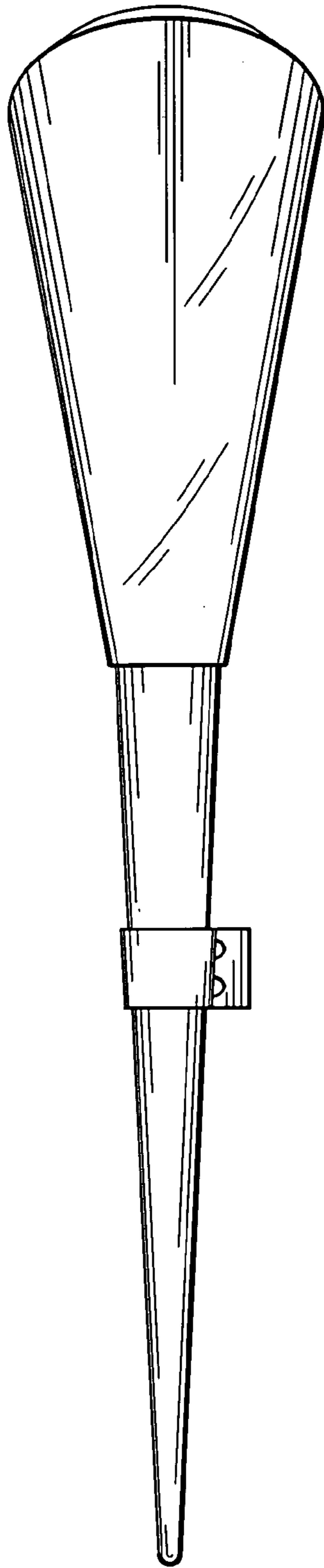


FIG.4

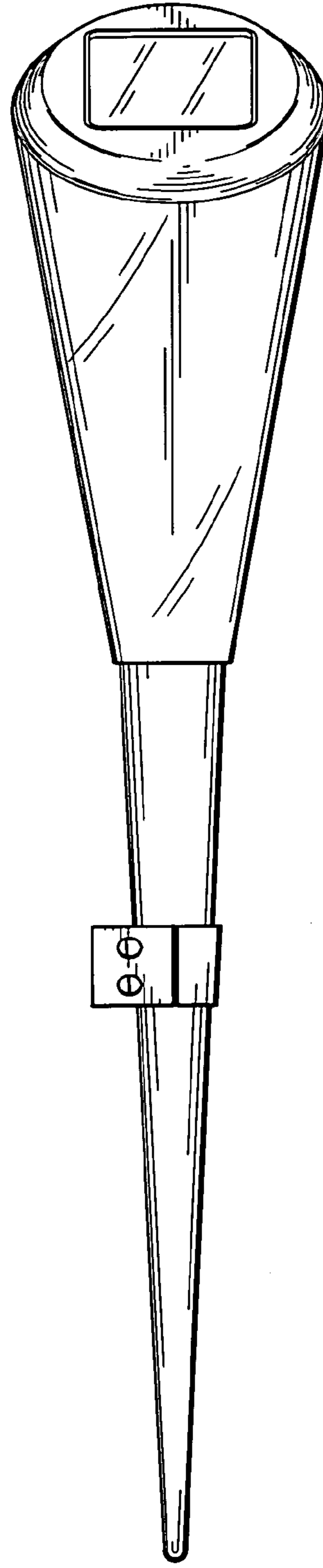


FIG.5

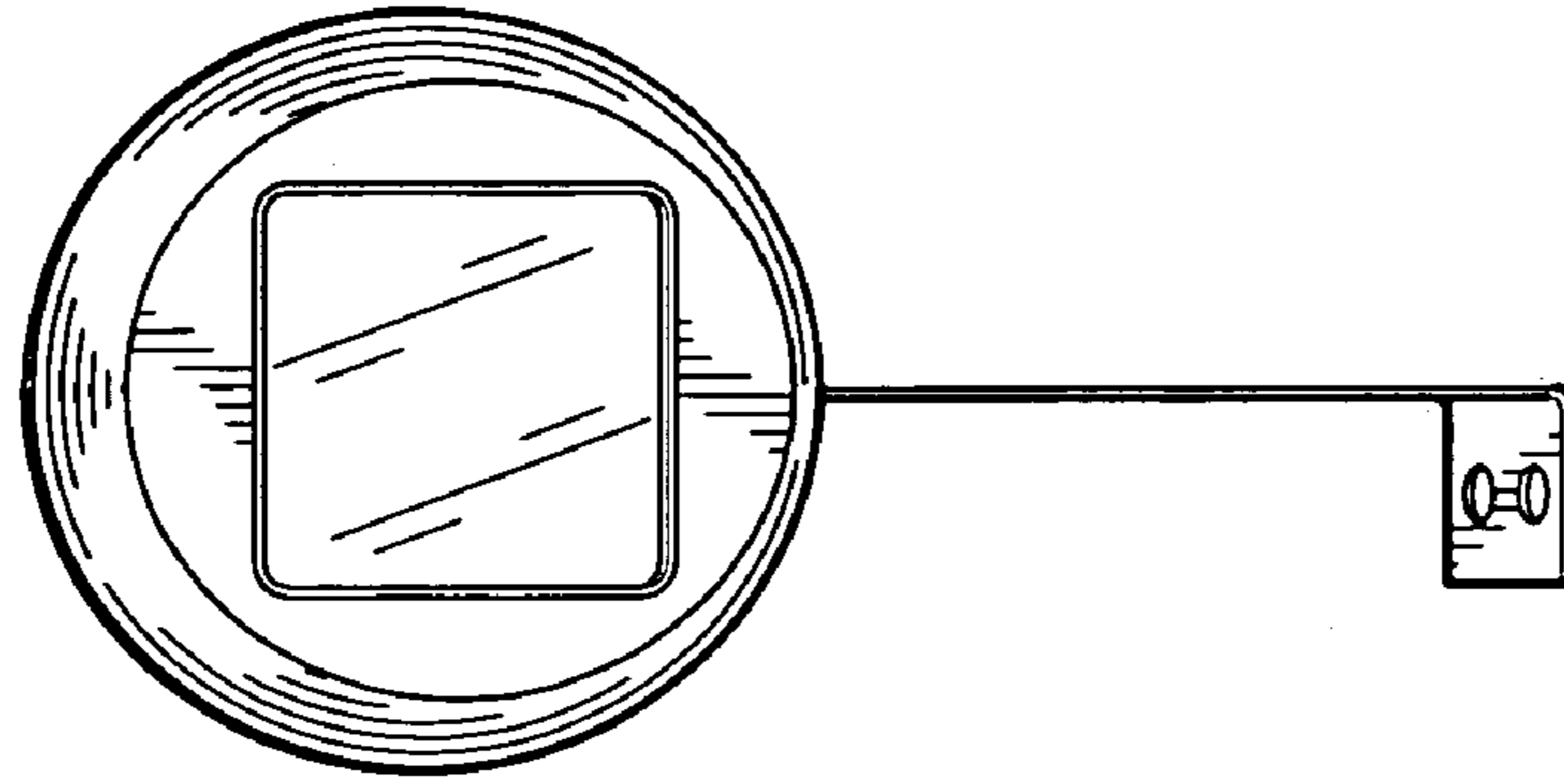


FIG. 6

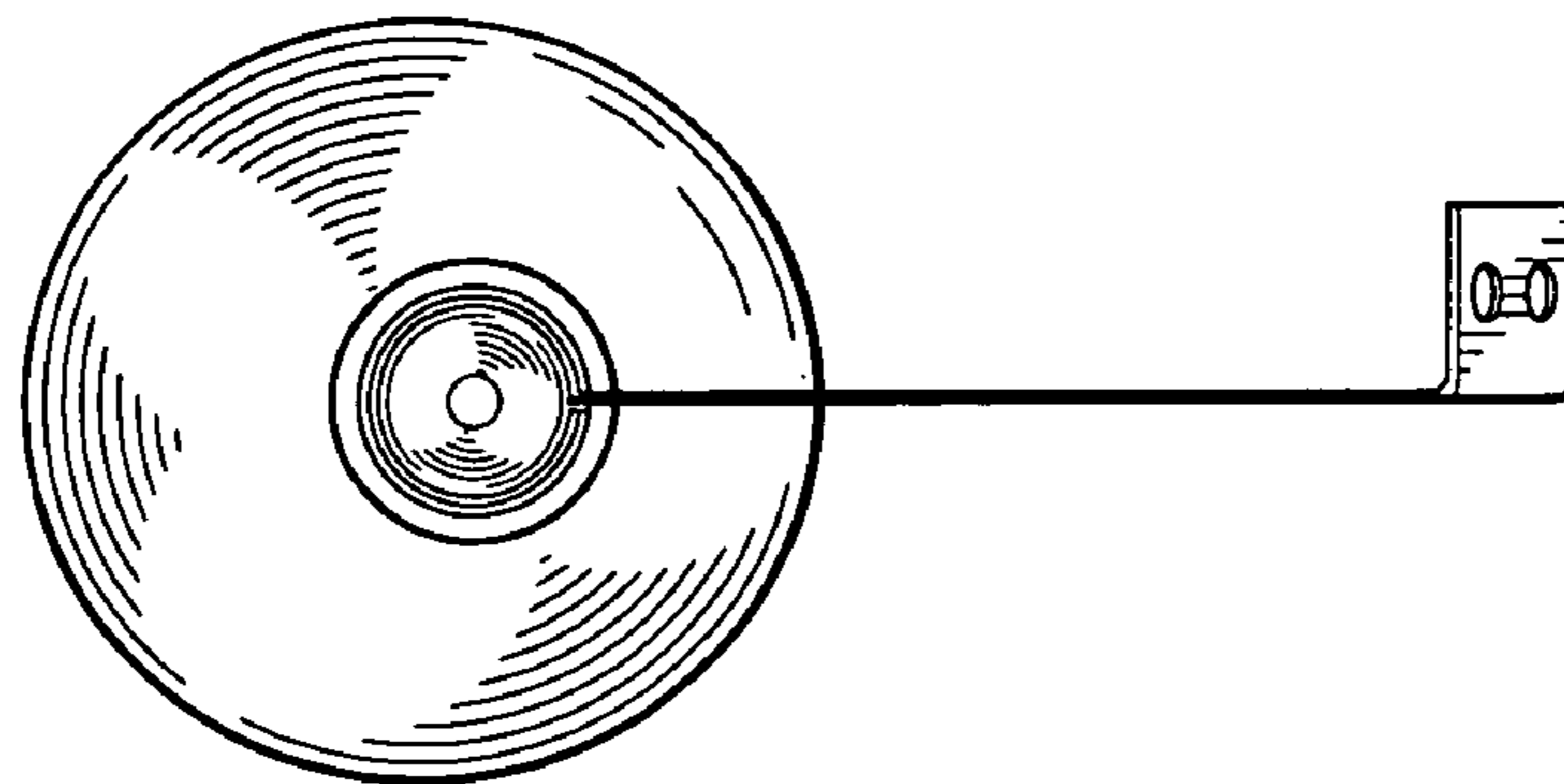


FIG. 7