



US00D574534S

(12) **United States Design Patent**
Lastimososa

(10) **Patent No.:** **US D574,534 S**
(45) **Date of Patent:** **** Aug. 5, 2008**

(54) **LIGHT FIXTURE**

- (75) Inventor: **Edgardo Lastimososa**, Rizal (PH)
- (73) Assignee: **Quoizel, Inc.**, Goose Creek, SC (US)
- (**) Term: **14 Years**
- (21) Appl. No.: **29/280,359**
- (22) Filed: **May 24, 2007**

- (51) **LOC (8) Cl.** **26-05**
- (52) **U.S. Cl.** **D26/67; D26/87; D26/92**
- (58) **Field of Classification Search** D26/40,
D26/67, 68, 72, 85, 87, 92; 362/152, 157,
362/180, 183, 185, 186, 431
See application file for complete search history.

(56) **References Cited**

U.S. PATENT DOCUMENTS

D77,958 S *	3/1929	Helvey	D26/67
D93,328 S *	9/1934	Browe	D26/68
D208,664 S *	9/1967	Daum	D26/67
D211,394 S *	6/1968	Bernstein	D26/67
D213,520 S *	3/1969	Vesely et al.	D26/67
D427,352 S *	6/2000	Miranda	D26/72
D463,606 S	9/2002	Orozco		
D483,138 S *	12/2003	Chen	D26/67
D483,143 S	12/2003	Orozco		
D500,382 S	12/2004	Phillips		
D510,153 S	9/2005	Phillips		
D530,035 S *	10/2006	Wen	D26/67

OTHER PUBLICATIONS

Color photograph of light fixture from Gaudi Collection from catalog entitled *Hunter Lighting*.

* cited by examiner

Primary Examiner—Clare E Heflin

(74) *Attorney, Agent, or Firm*—Nelson Mullins Riley & Scarborough LLP

(57) **CLAIM**

The ornamental design for a light fixture, as shown and described.

DESCRIPTION

FIG. 1 is a perspective view of a light fixture embodying the design of the present invention.

FIG. 2 is a front side elevational view of the light fixture illustrated in FIG. 1.

FIG. 3 is a back side elevational view of the light fixture illustrated in FIG. 1.

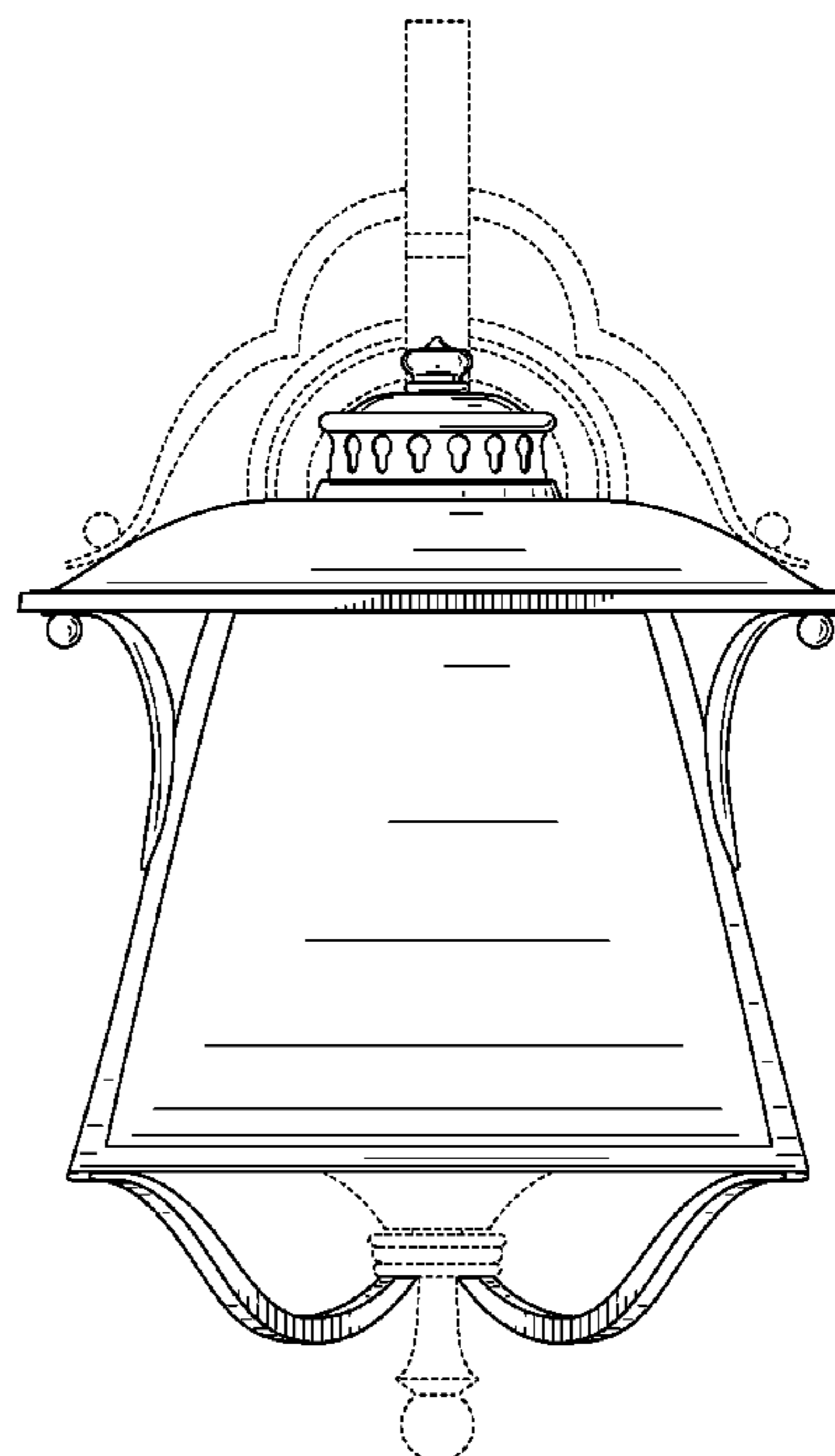
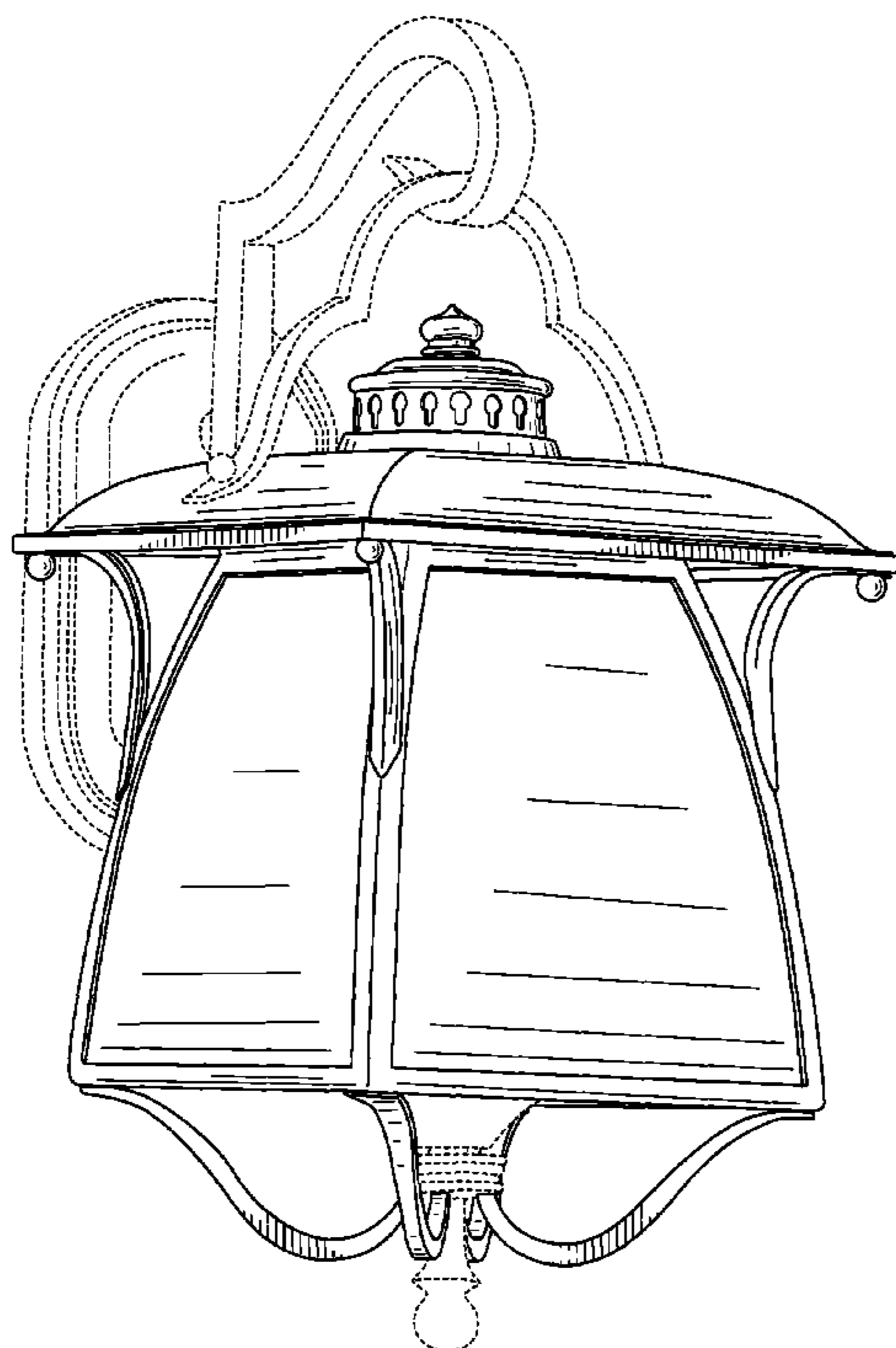
FIG. 4 is a left side elevational view of the light fixture illustrated in FIG. 1, with the right side elevational view being identical thereto.

FIG. 5 is a top view of the light fixture illustrated in FIG. 1; and,

FIG. 6 is a bottom view of the light fixture illustrated in FIG. 1.

The portions shown in broken lines form no part of the claimed design.

1 Claim, 6 Drawing Sheets



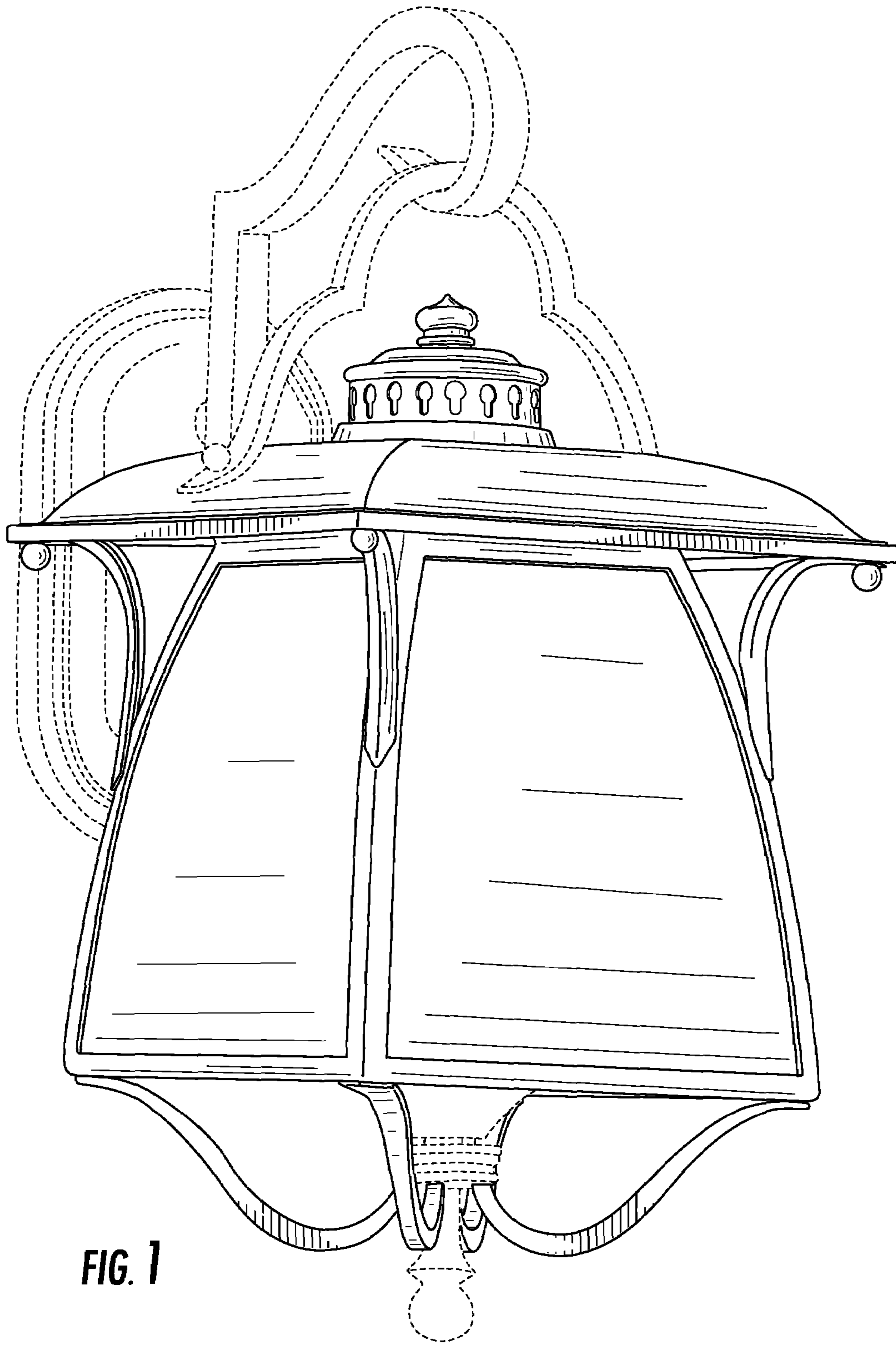


FIG. 1

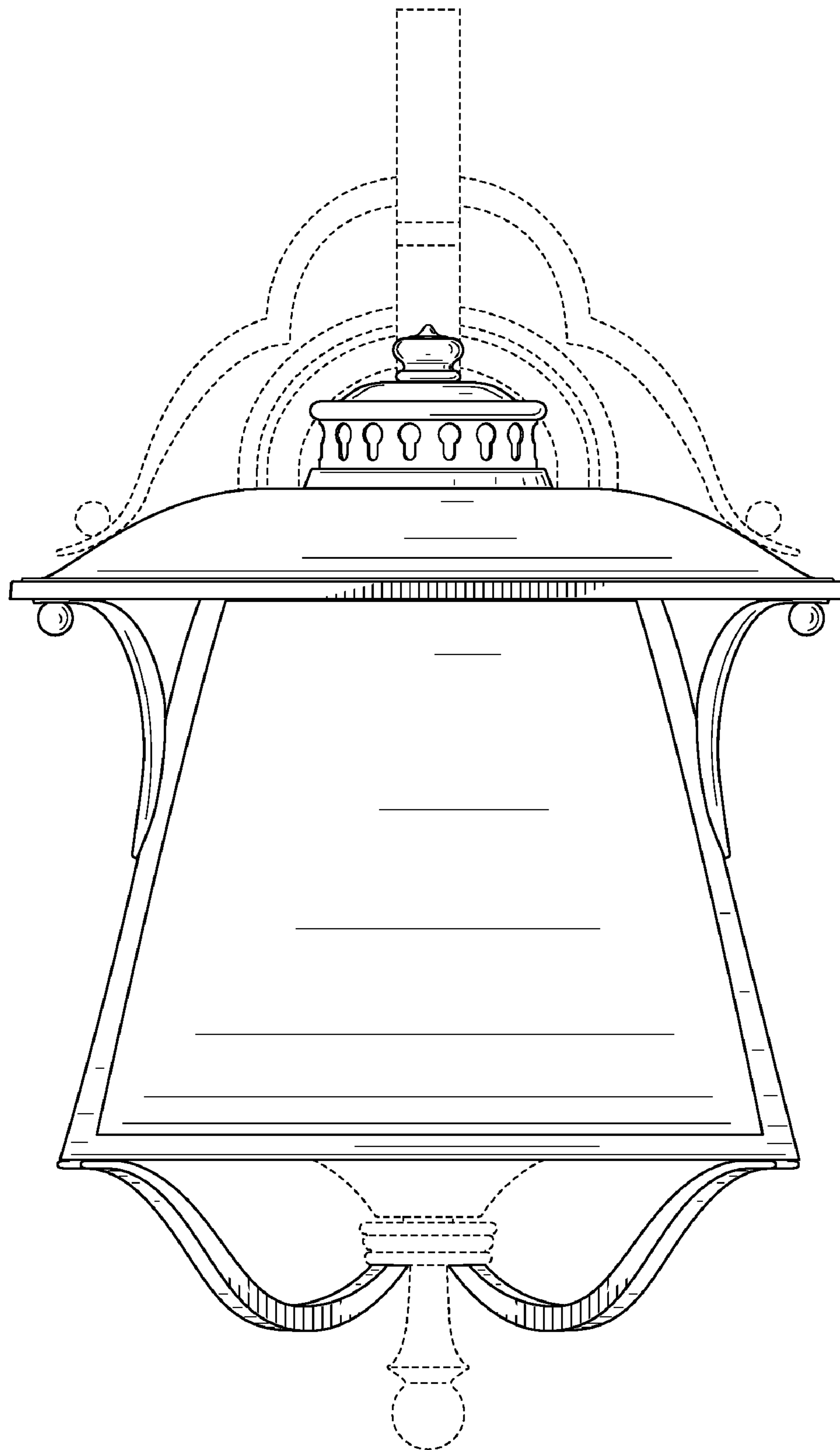


FIG. 2

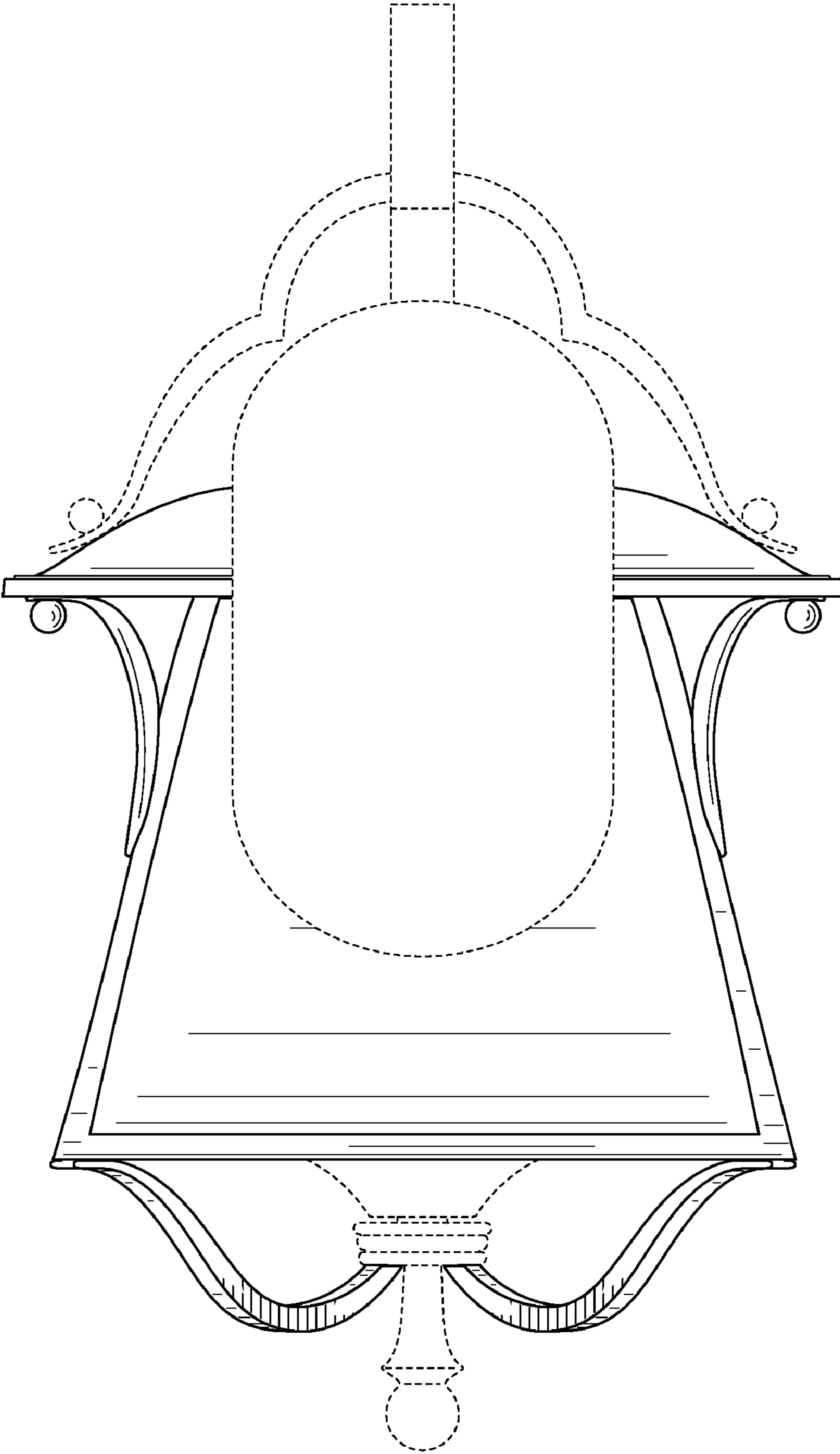


FIG. 3

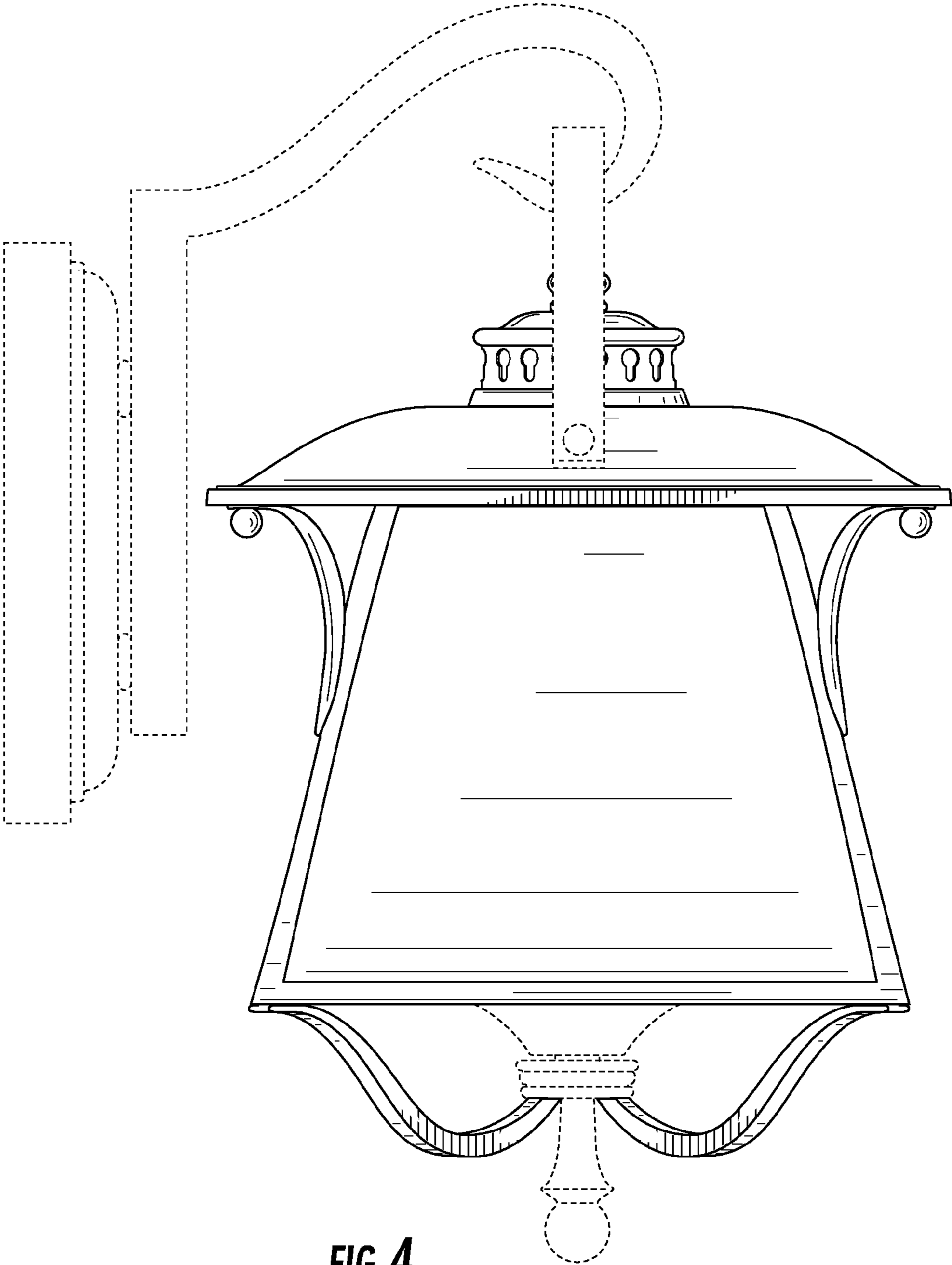


FIG. 4

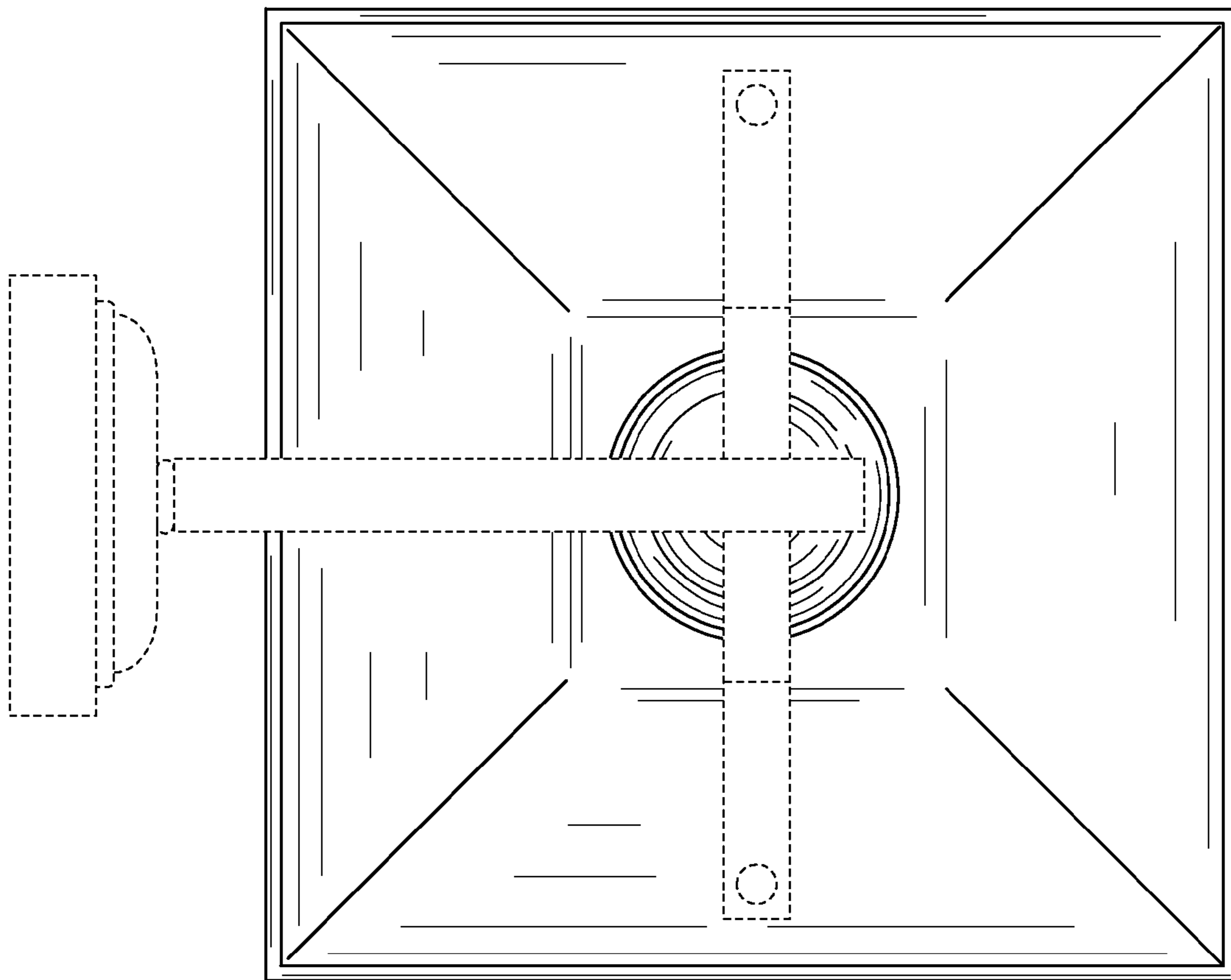


FIG. 5

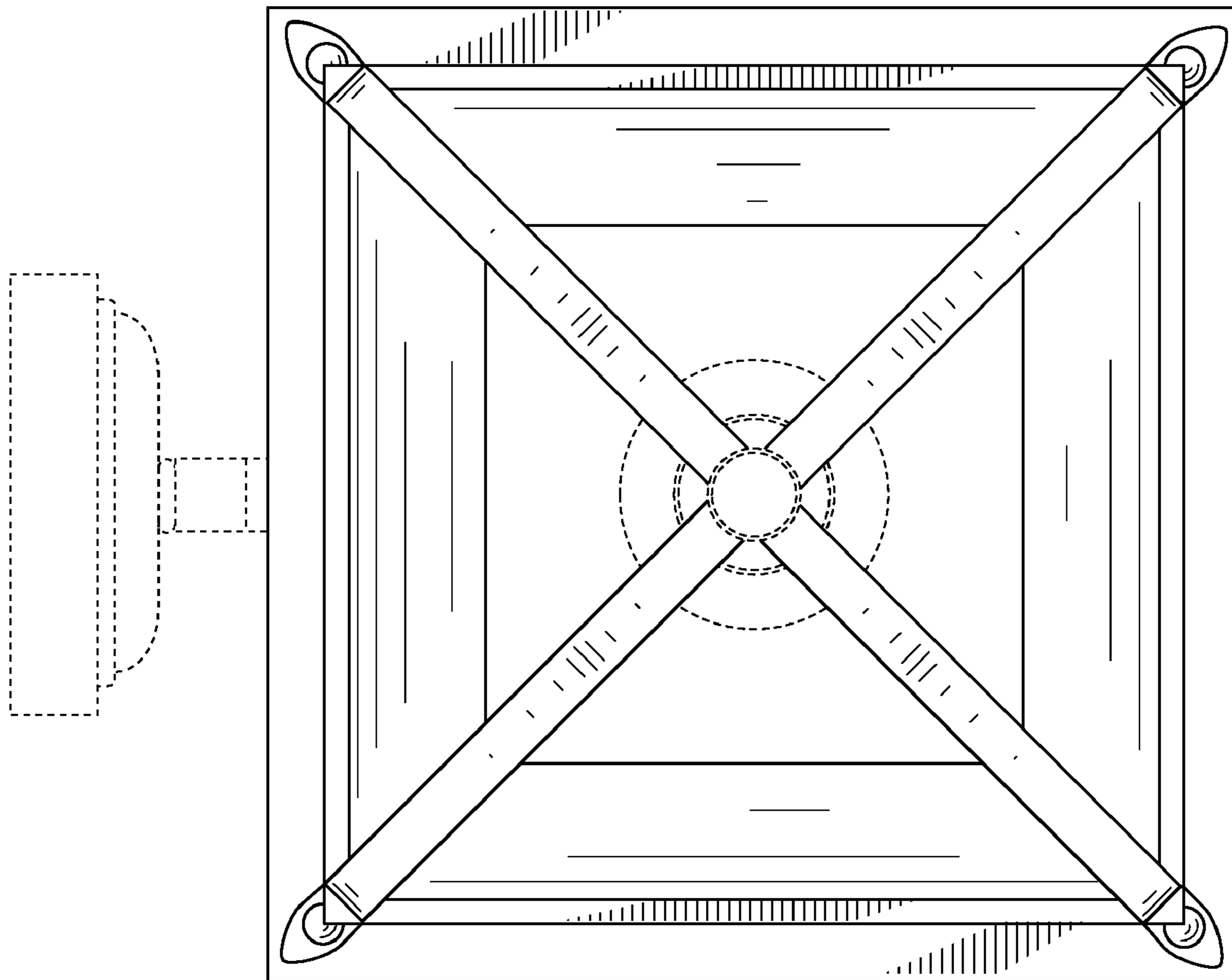


FIG. 6