



US00D574533S

(12) **United States Design Patent**
Van den Dool

(10) **Patent No.:** **US D574,533 S**
(45) **Date of Patent:** **** Aug. 5, 2008**

(54) **LIGHT ARMATURE**

(75) Inventor: **Teunis Cornelis Van den Dool**, Monster (NL)

(73) Assignee: **Hortilux Schreder B.V.**, Monster (NL)

(**) Term: **14 Years**

(21) Appl. No.: **29/222,867**

(22) Filed: **Feb. 4, 2005**

(30) **Foreign Application Priority Data**

Aug. 6, 2004 (EM) 000211321

(51) **LOC (8) Cl.** **26-05**

(52) **U.S. Cl.** **D26/66**

(58) **Field of Classification Search** D26/24,
D26/60-66; 362/269, 270, 275, 375, 281-287,
362/362, 418, 419, 421, 427, 428, 430, 404,
362/147, 432

See application file for complete search history.

(56) **References Cited**

U.S. PATENT DOCUMENTS

D287,413 S * 12/1986 Kusmer et al. D26/65
D298,863 S * 12/1988 Tharp et al. D26/88
5,136,490 A * 8/1992 Morrison 362/294
5,434,765 A * 7/1995 Kelly et al. 362/271
D413,176 S * 8/1999 Mier-Langner D26/63
5,941,632 A * 8/1999 Wedell et al. 362/410
D444,251 S * 6/2001 Donato D26/63

D444,900 S * 7/2001 Stanway et al. D26/72
6,390,655 B1 * 5/2002 Haugaard et al. 362/396
D469,564 S * 1/2003 Brok D26/118
D475,478 S * 6/2003 Ruston D26/63
D488,247 S * 4/2004 Lin D26/64
6,733,158 B2 * 5/2004 Fischer et al. 362/404
D494,302 S * 8/2004 Huang D26/87
D538,959 S * 3/2007 Kosche D26/63
2002/0071284 A1 * 6/2002 Fischer et al. 362/370

* cited by examiner

Primary Examiner—Cathron Brooks

Assistant Examiner—Barbara Fox

(74) *Attorney, Agent, or Firm*—Ryan A. Schneider, Esq.;
Troutman Sanders LLP

(57) **CLAIM**

The ornamental design for light armature, as shown and described.

DESCRIPTION

FIG. 1 is a perspective view of a light armature, showing my new design;

FIG. 2 is a front view thereof;

FIG. 3 is a side view thereof;

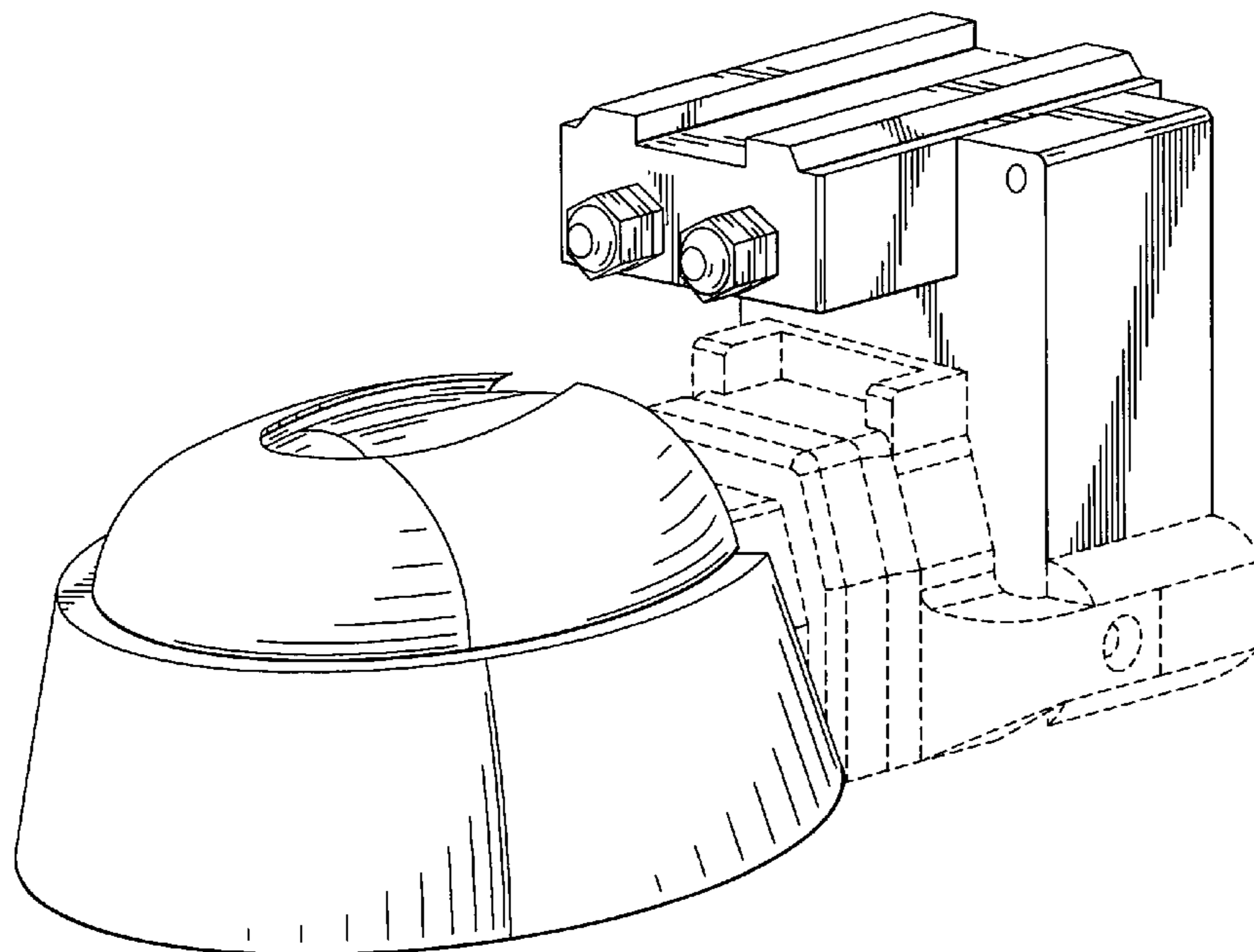
FIG. 4 is a top view thereof;

FIG. 5 is a bottom side view thereof; and,

FIG. 6 is a back side view thereof.

The broken lines form no part of the claimed design.

1 Claim, 6 Drawing Sheets



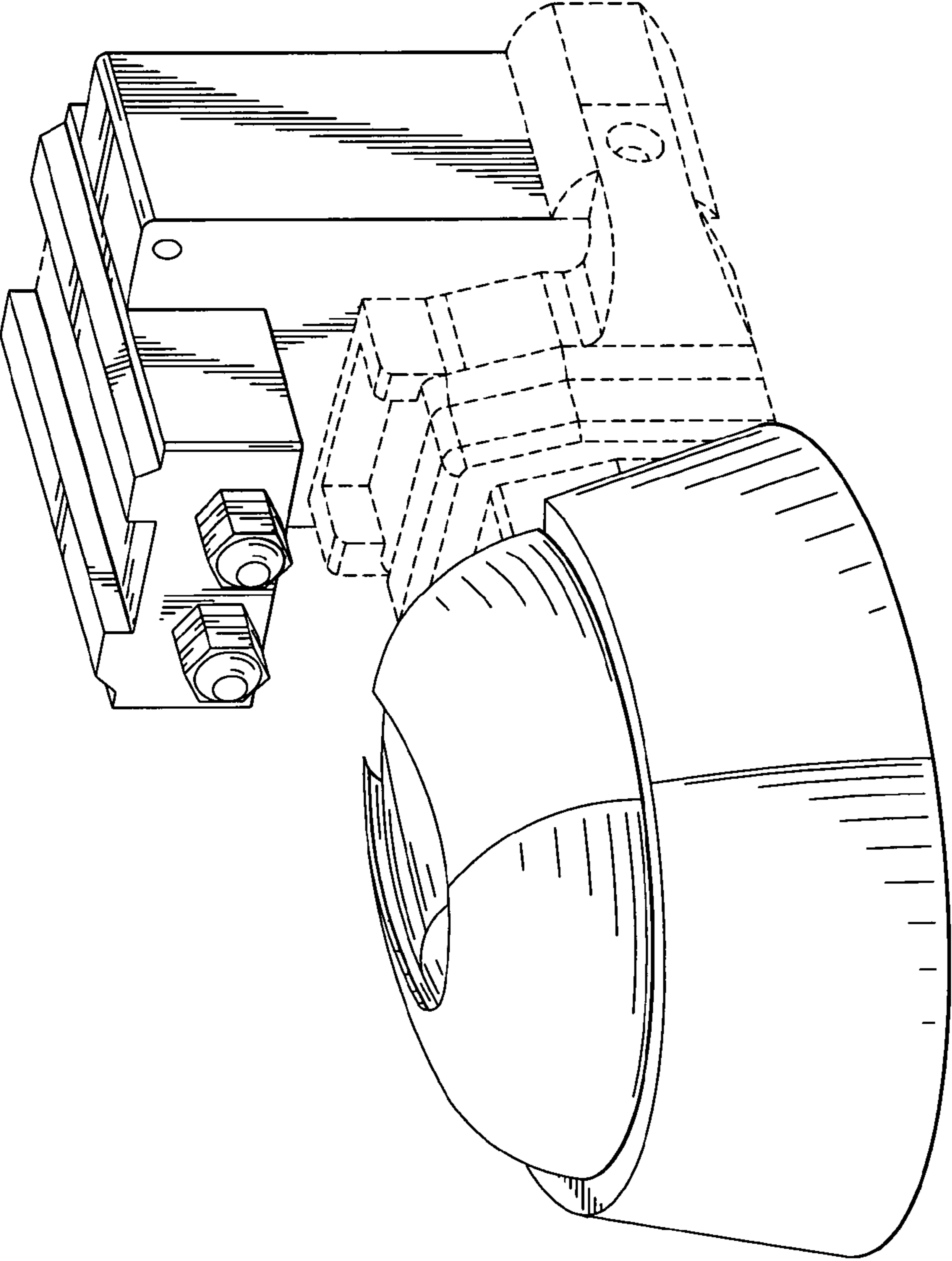


FIG. 1

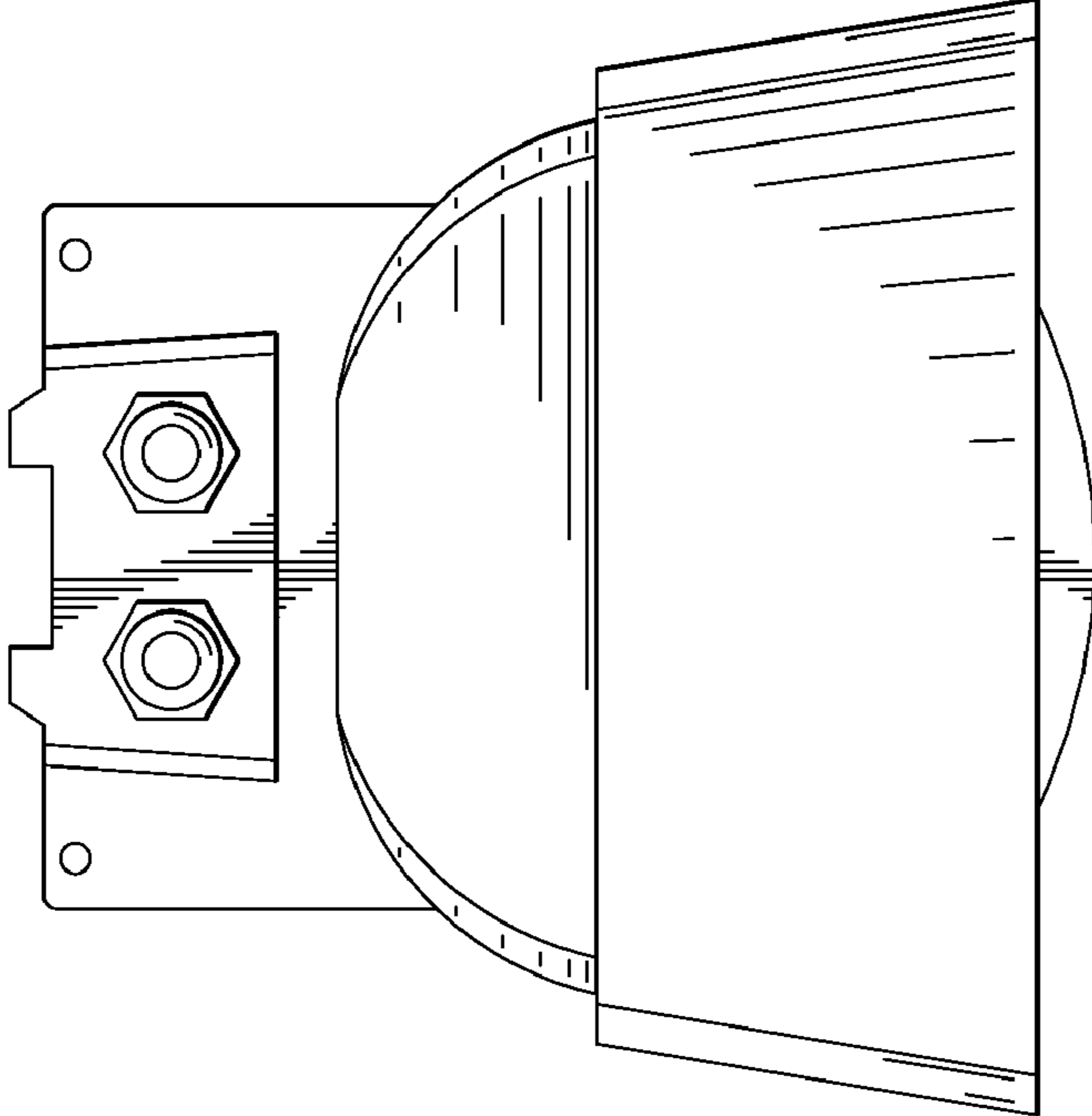


FIG. 2

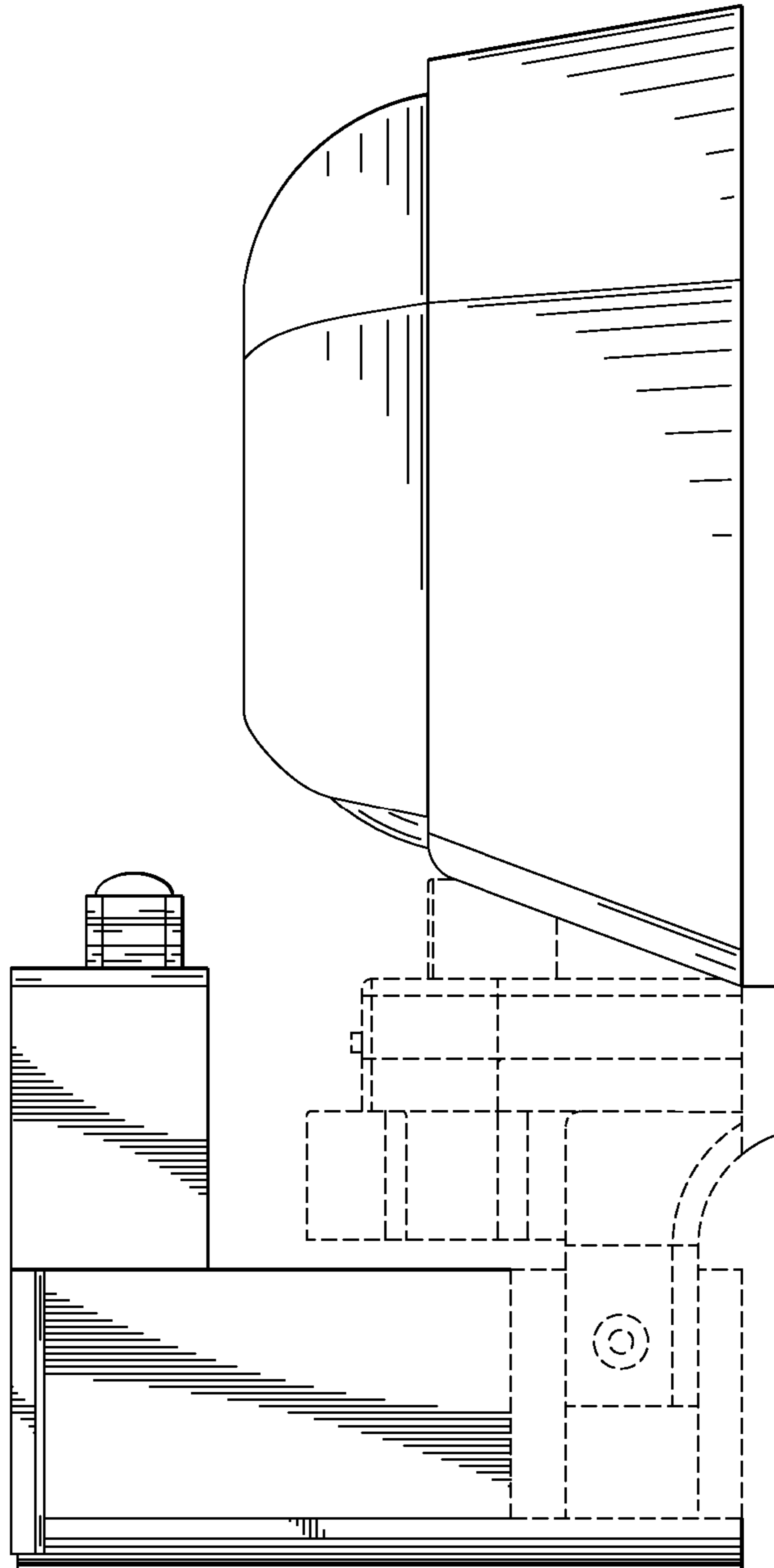


FIG. 3

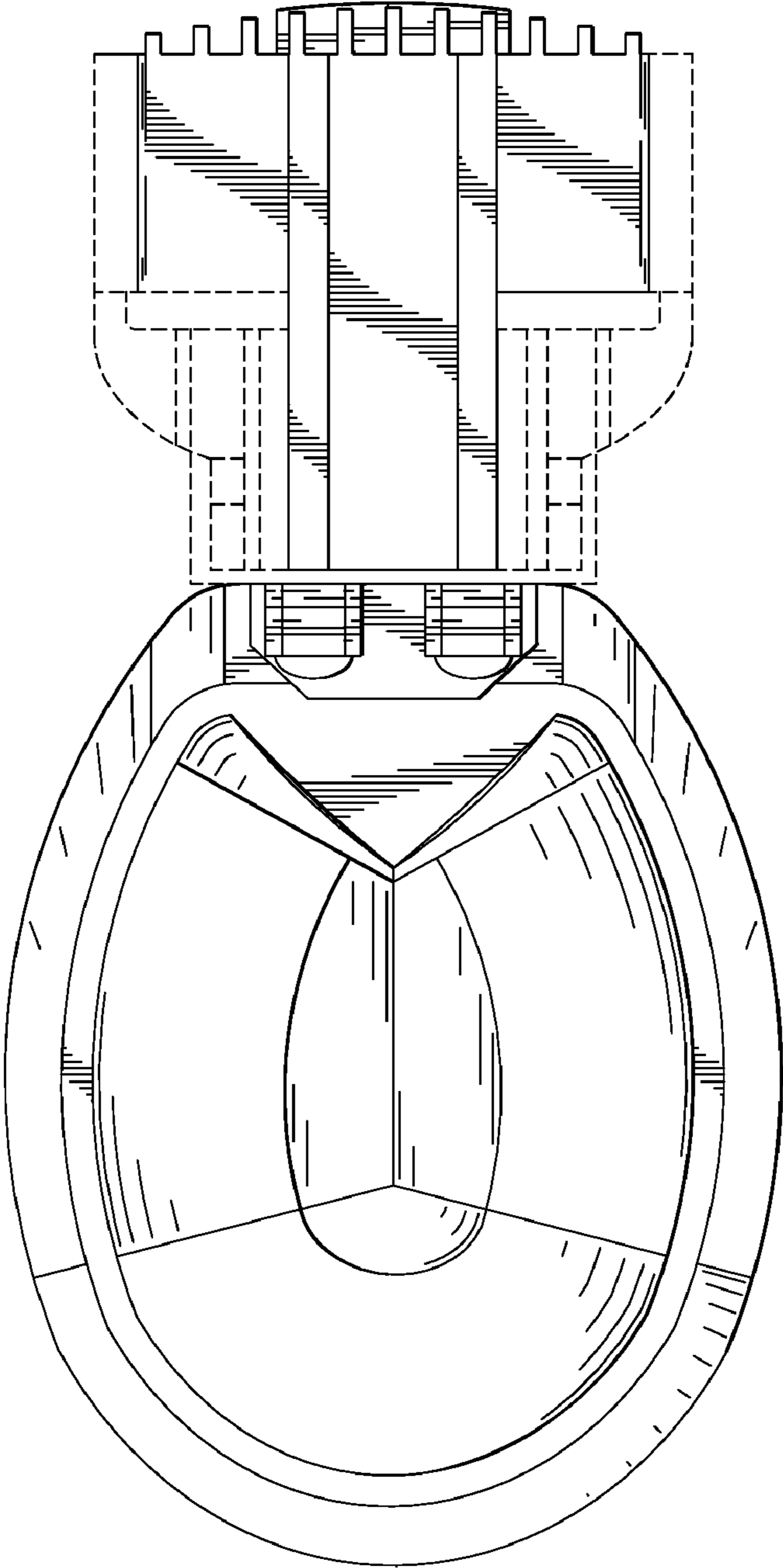


FIG. 4

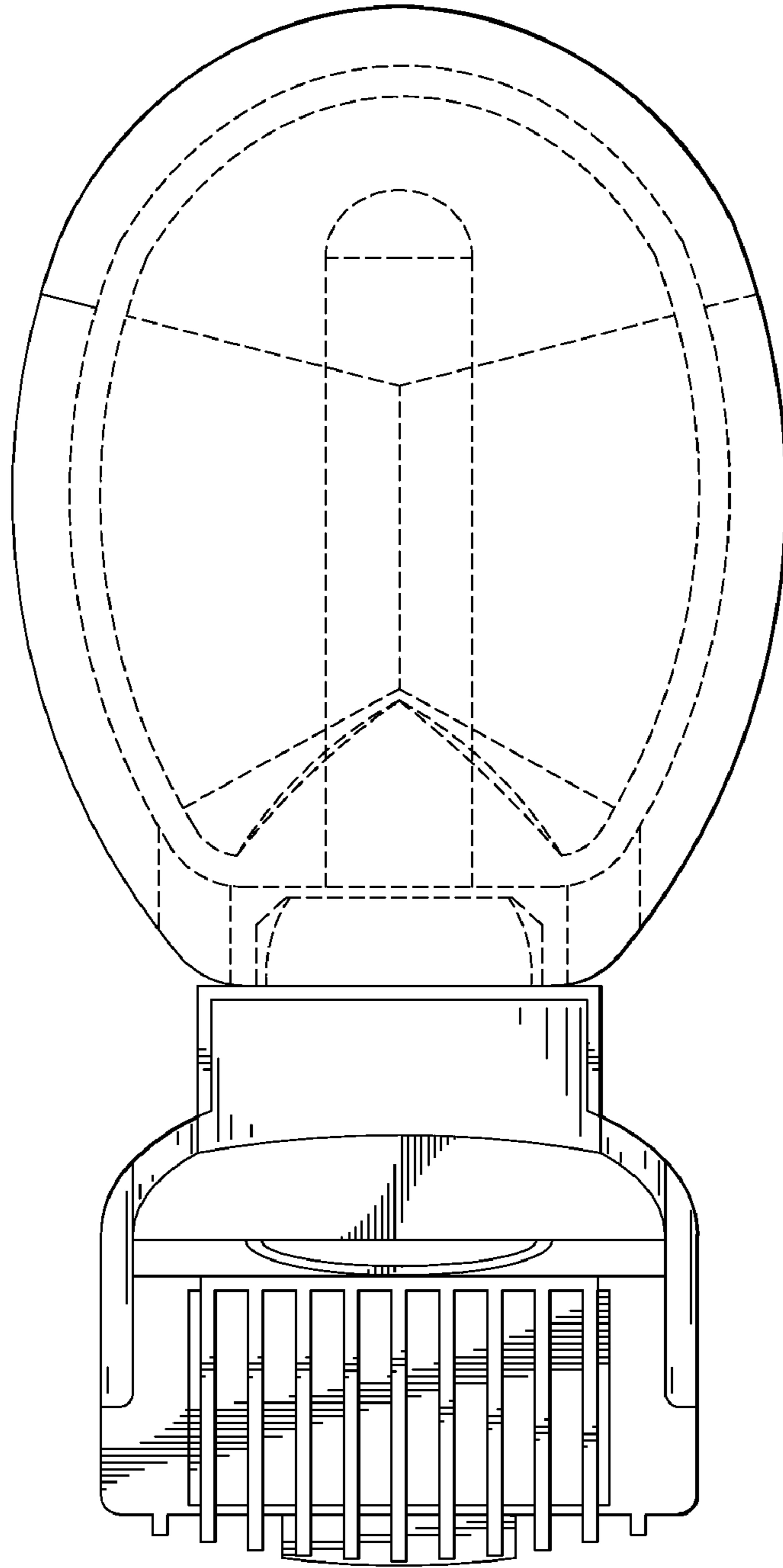


FIG. 5

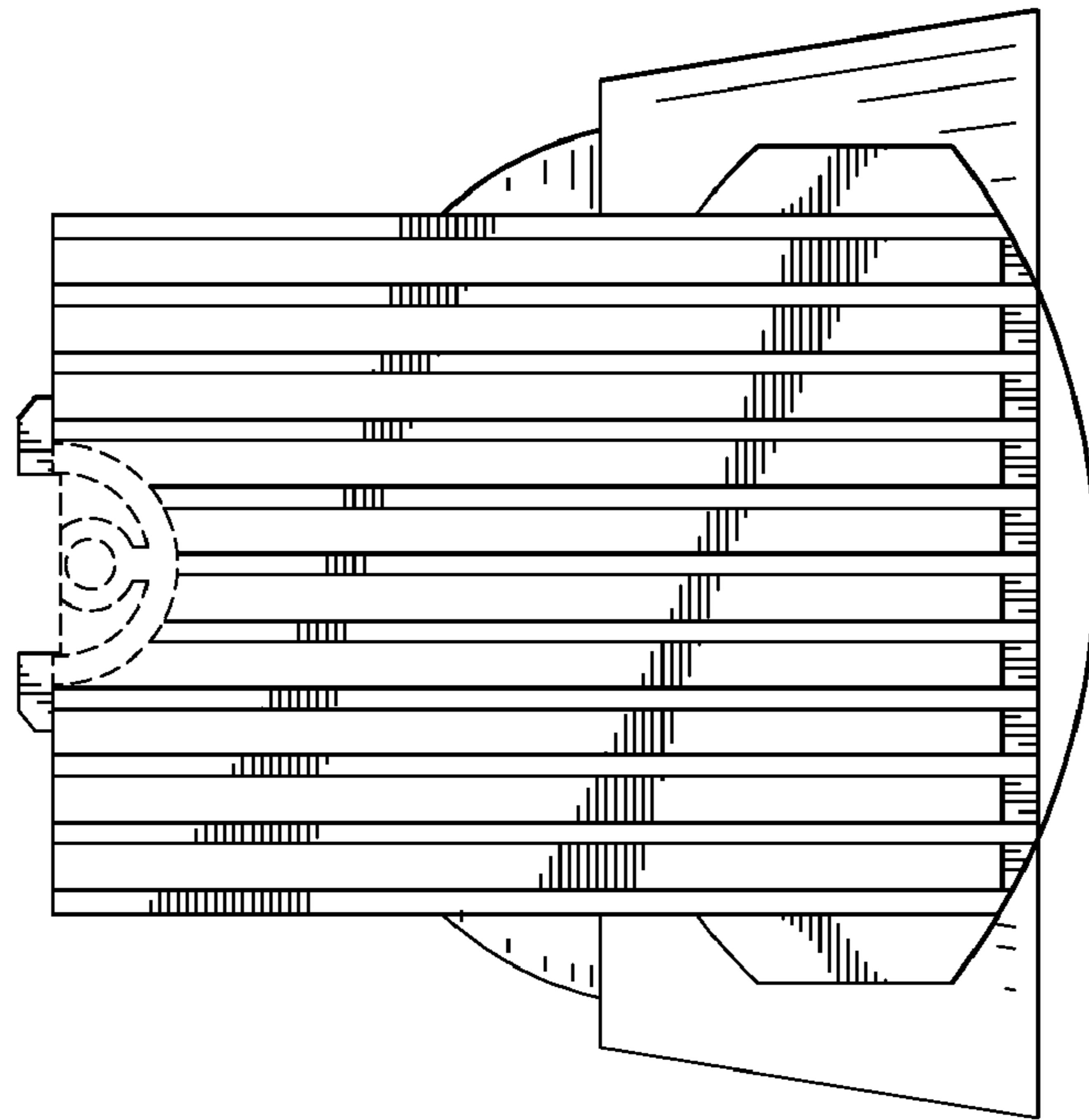


FIG. 6