



US00D574532S

(12) **United States Design Patent**
Lee et al.

(10) **Patent No.:** **US D574,532 S**
(45) **Date of Patent:** **** Aug. 5, 2008**

(54) **SOLAR SPOTLIGHT**

(75) Inventors: **Po Sum Lee**, Hong Kong (CN); **Wai Wah Chung**, Hong Kong (CN); **Kevin Kelley**, Frisco, TX (US)

(73) Assignee: **The Brinkmann Corporation**, Dallas, TX (US)

(**) Term: **14 Years**

(21) Appl. No.: **29/286,929**

(22) Filed: **May 21, 2007**

(51) **LOC (8) Cl.** **26-05**

(52) **U.S. Cl.** **D26/63**

(58) **Field of Classification Search** D26/60–68,
D26/72; 362/96, 199, 153, 267, 311, 359,
362/371, 375, 427

See application file for complete search history.

(56) **References Cited**

U.S. PATENT DOCUMENTS

D370,070 S *	5/1996	Kay	D26/67
5,599,091 A *	2/1997	Kira	362/269
D414,579 S *	9/1999	Denison et al.	D26/68
6,612,720 B1 *	9/2003	Beadle	362/287
D542,959 S *	5/2007	Yao	D26/68
2006/0061991 A1 *	3/2006	Yeh	362/250

OTHER PUBLICATIONS

Internet printout from www.brinkmann.net—"Premier Landscape Design Series"—printed on Oct. 30, 2007 (1 pg.).

* cited by examiner

Primary Examiner—Cathron Brooks

Assistant Examiner—Barbara Fox

(74) *Attorney, Agent, or Firm*—Sheppard, Mullin, Richter & Hampton LLP

(57) **CLAIM**

We claim the ornamental design for a solar spotlight, as shown and described.

DESCRIPTION

FIG. 1 is a perspective view of a solar spotlight showing the new design;

FIG. 2 is a front elevational view thereof;

FIG. 3 is a rear elevational view thereof;

FIG. 4 is a right side elevational view thereof;

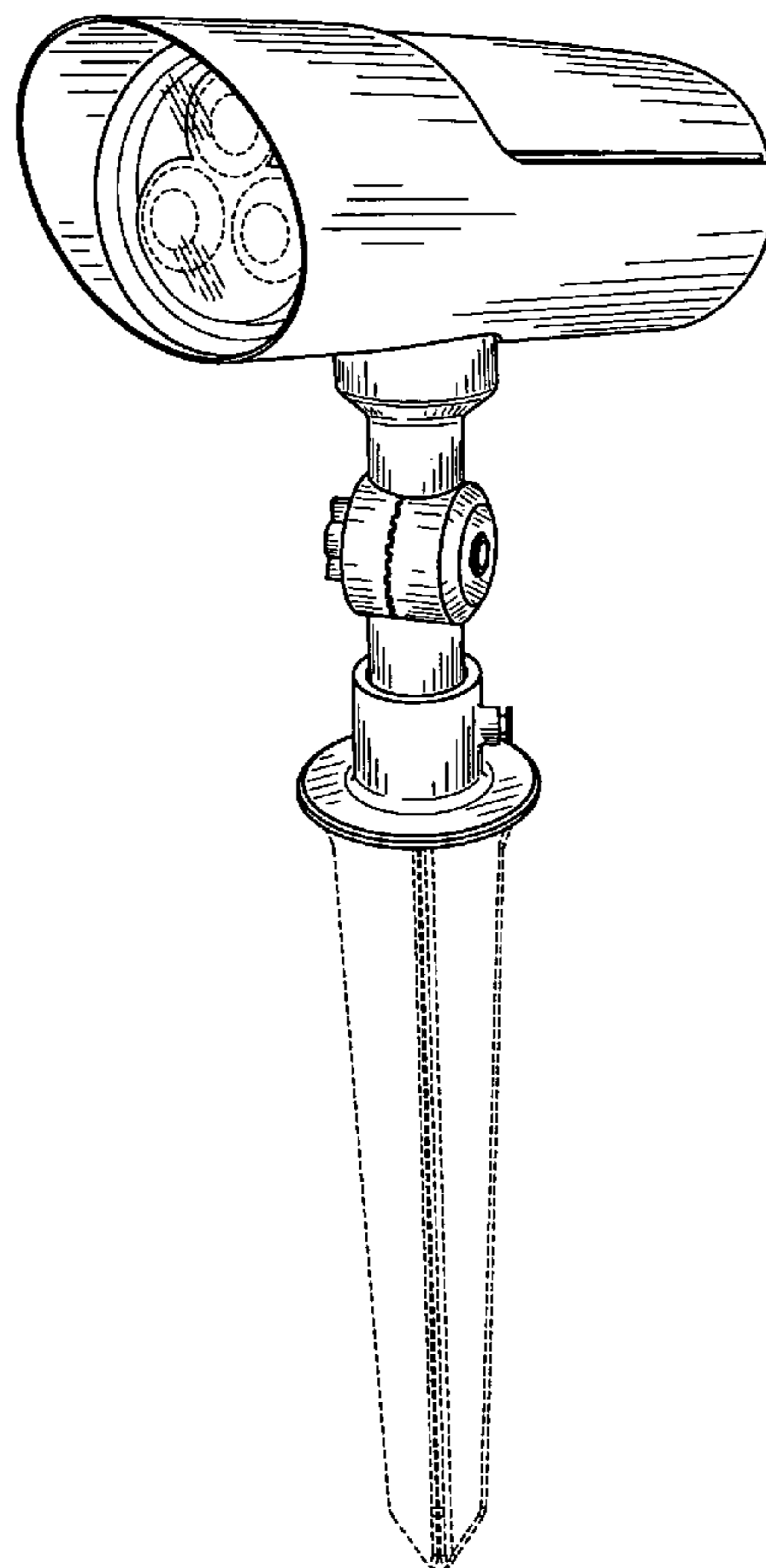
FIG. 5 is a left side elevational view thereof;

FIG. 6 is a top plan view thereof; and,

FIG. 7 is a bottom plan view thereof.

The dotted lines are for illustrative purposes only and form no part of the claimed design.

1 Claim, 5 Drawing Sheets



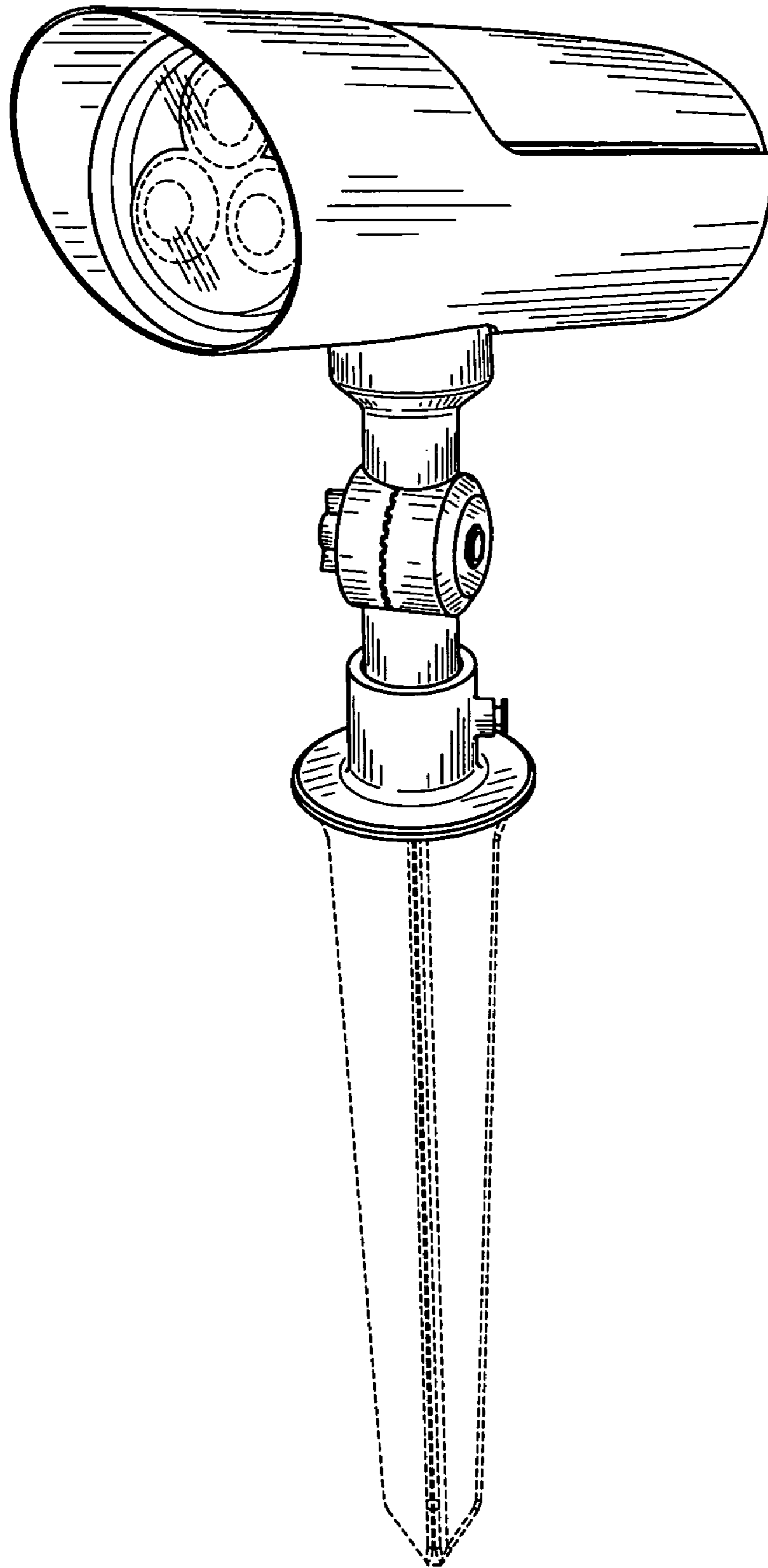


FIG. 1

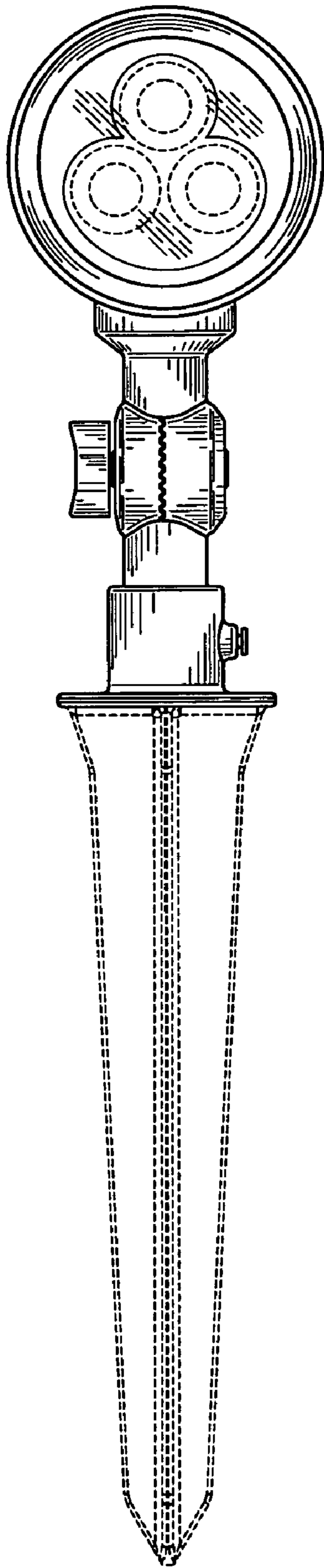


FIG. 2

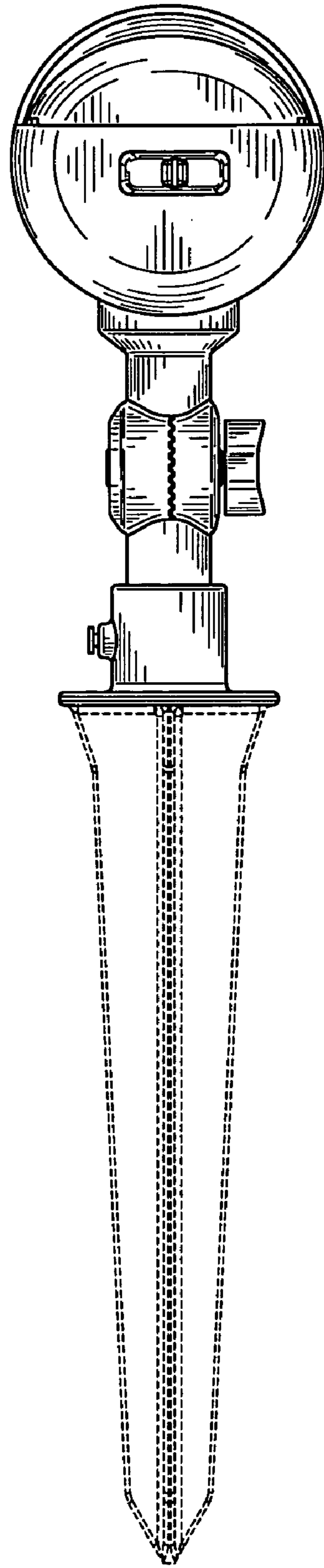


FIG. 3

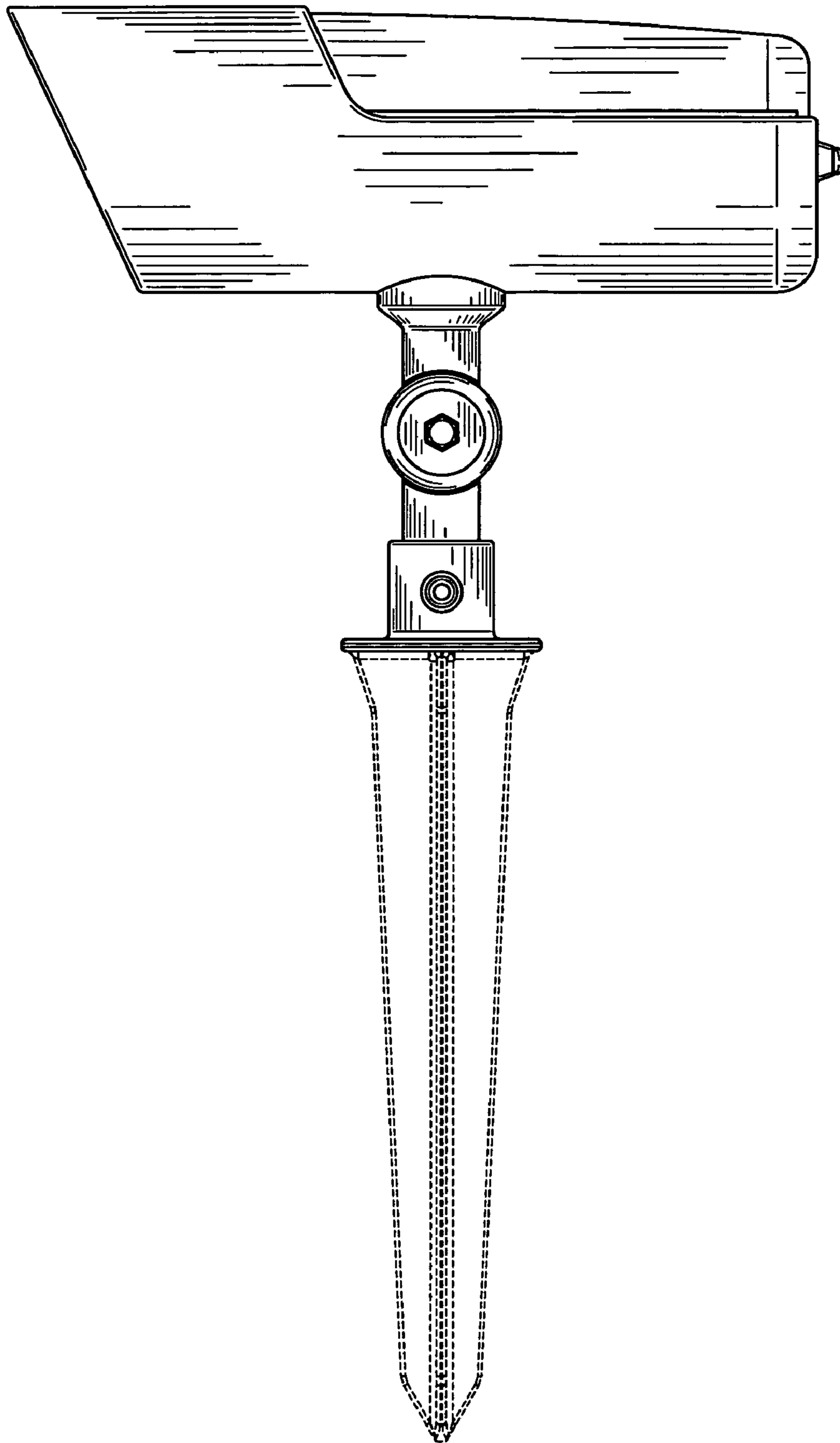


FIG. 4

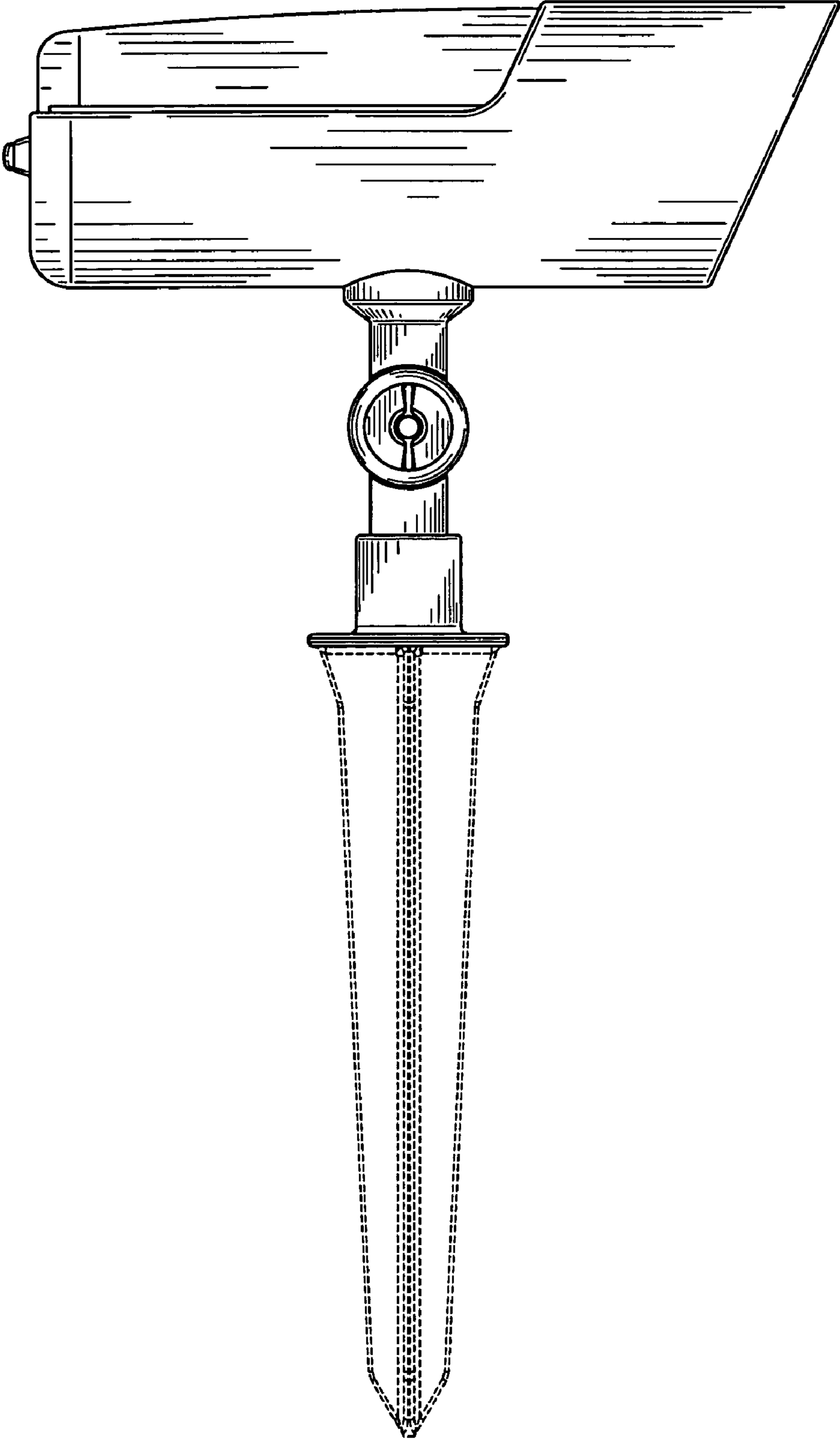


FIG. 5

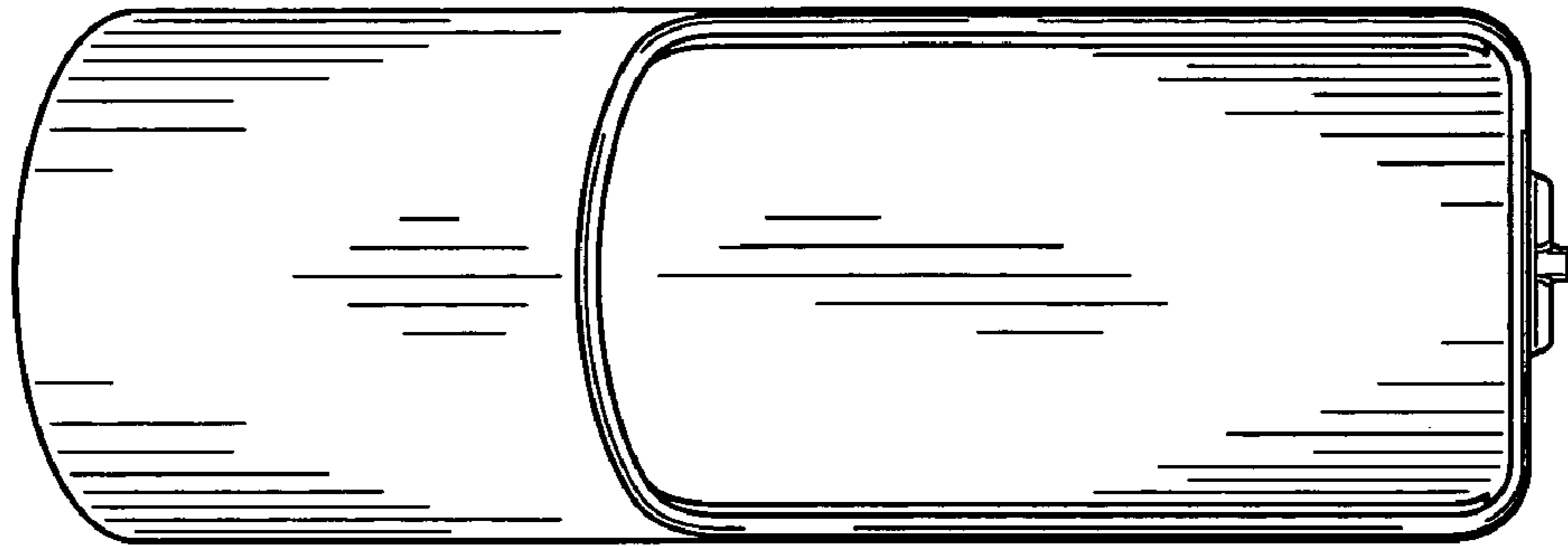


FIG. 6

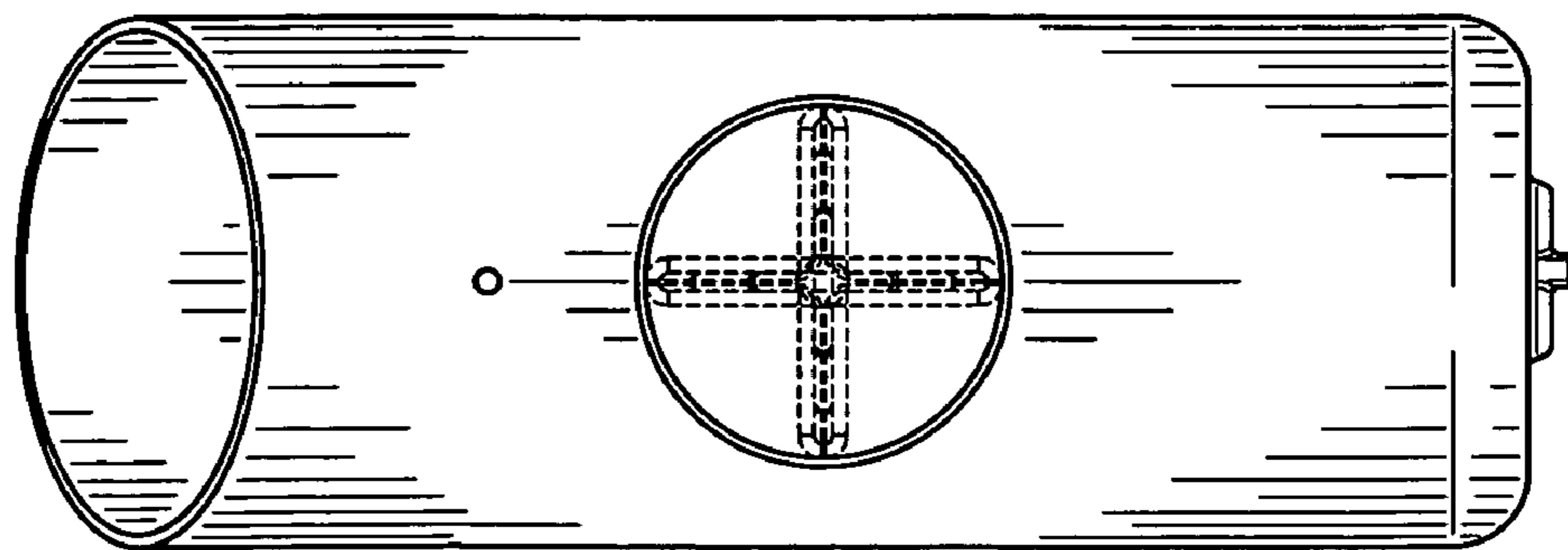


FIG. 7