



US00D574531S

(12) **United States Design Patent**
Sun

(10) **Patent No.:** **US D574,531 S**

(45) **Date of Patent:** **** Aug. 5, 2008**

(54) **DESK LAMP**

5,624,179 A * 4/1997 Korte 362/222

(75) Inventor: **Xiaobo Sun**, Ningbo (CN)

* cited by examiner

(73) Assignee: **Waisun Corporation**, Bellflower, CA (US)

Primary Examiner—Cathron Brooks

Assistant Examiner—Barbara Fox

(**) Term: **14 Years**

(74) *Attorney, Agent, or Firm*—Jansson Shupe & Munger Ltd.

(21) Appl. No.: **29/294,199**

(57) **CLAIM**

(22) Filed: **Dec. 27, 2007**

The ornamental design for a desk lamp, as shown and described.

(51) **LOC (8) Cl.** **26-05**

(52) **U.S. Cl.** **D26/62**

(58) **Field of Classification Search** D26/60–66,
D26/93, 102–112; 362/410–414, 269, 275,
362/287, 288, 418, 419, 427

See application file for complete search history.

DESCRIPTION

FIG. 1 is a front top perspective view of a desk lamp.

FIG. 2 is a front elevation view of the desk lamp of FIG. 1.

FIG. 3 is a right-side elevation view of the desk lamp of FIG. 1, a left-side elevation view being a mirror image.

FIG. 4 is a rear elevation view of the desk lamp of FIG. 1.

FIG. 5 is a top plan view of the desk lamp of FIG. 1; and,

FIG. 6 is a bottom plan view of the desk lamp of FIG. 1.

The broken lines are provided for illustrative purposes only and form no part of the claimed design.

(56) **References Cited**

U.S. PATENT DOCUMENTS

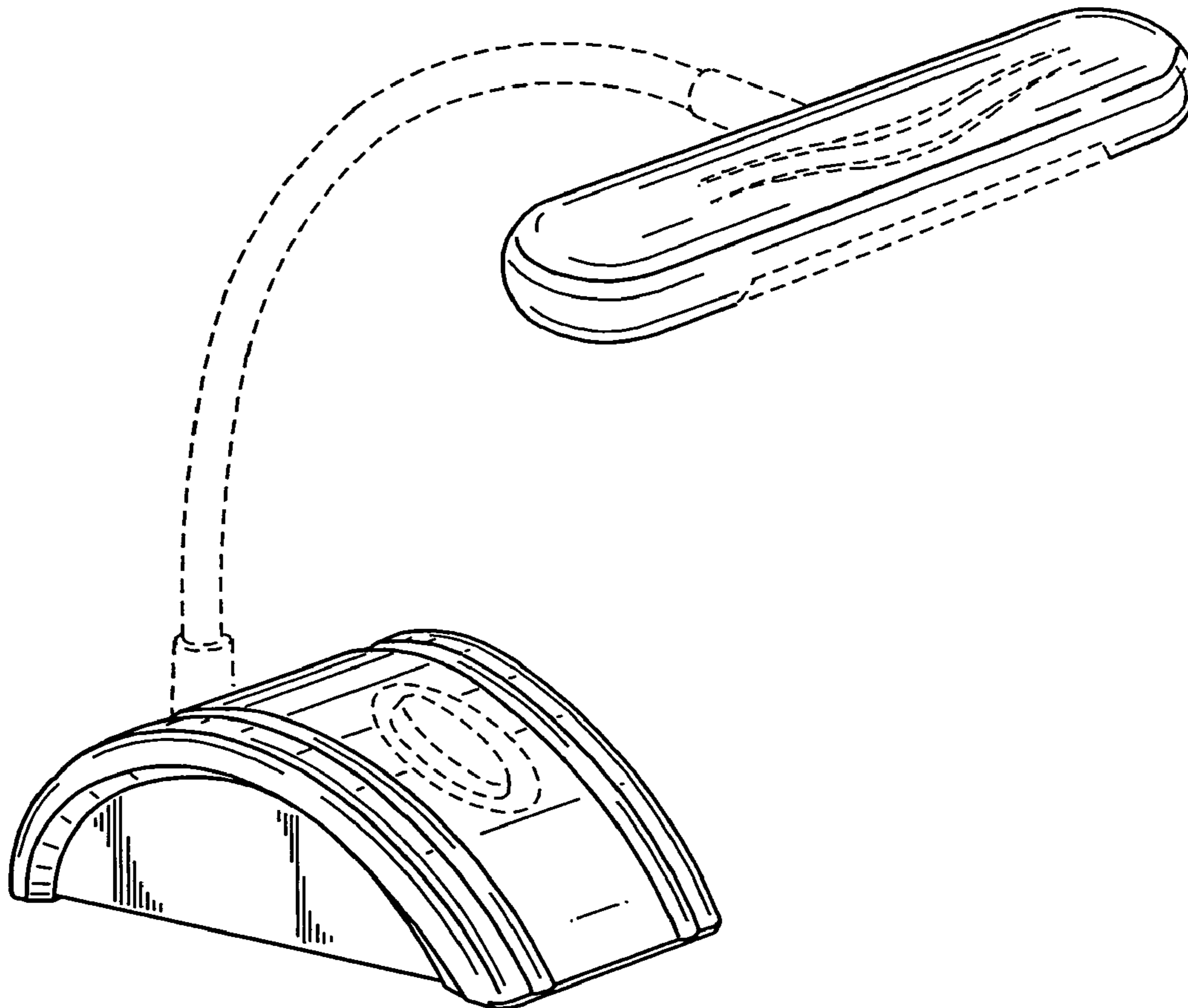
2,371,861 A * 3/1945 Weir 248/127

D150,940 S * 9/1948 Goebel D26/107

3,748,463 A * 7/1973 Trassinelli 362/269

D355,725 S * 2/1995 Roberts, III D26/109

1 Claim, 6 Drawing Sheets



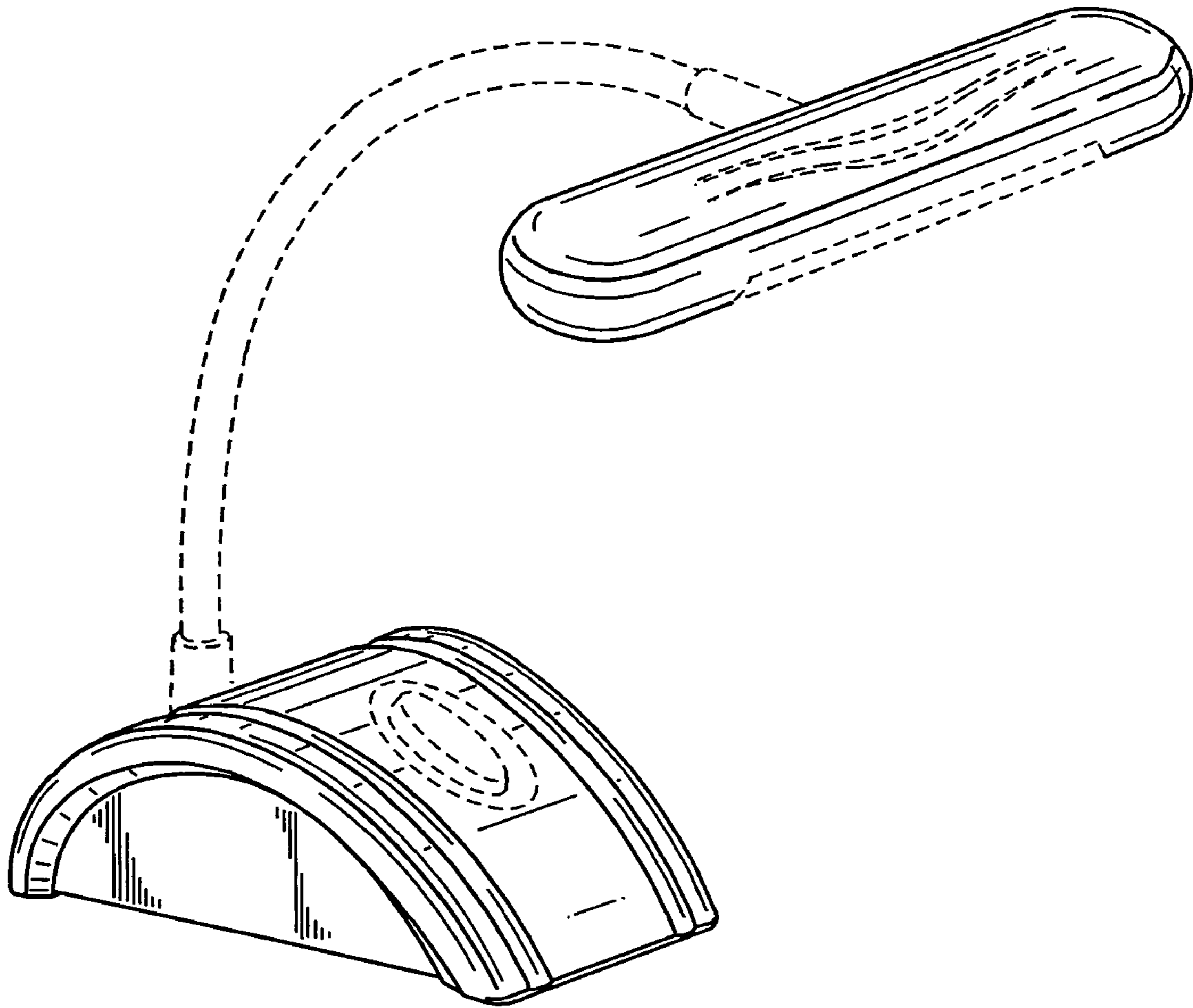


FIG. 1

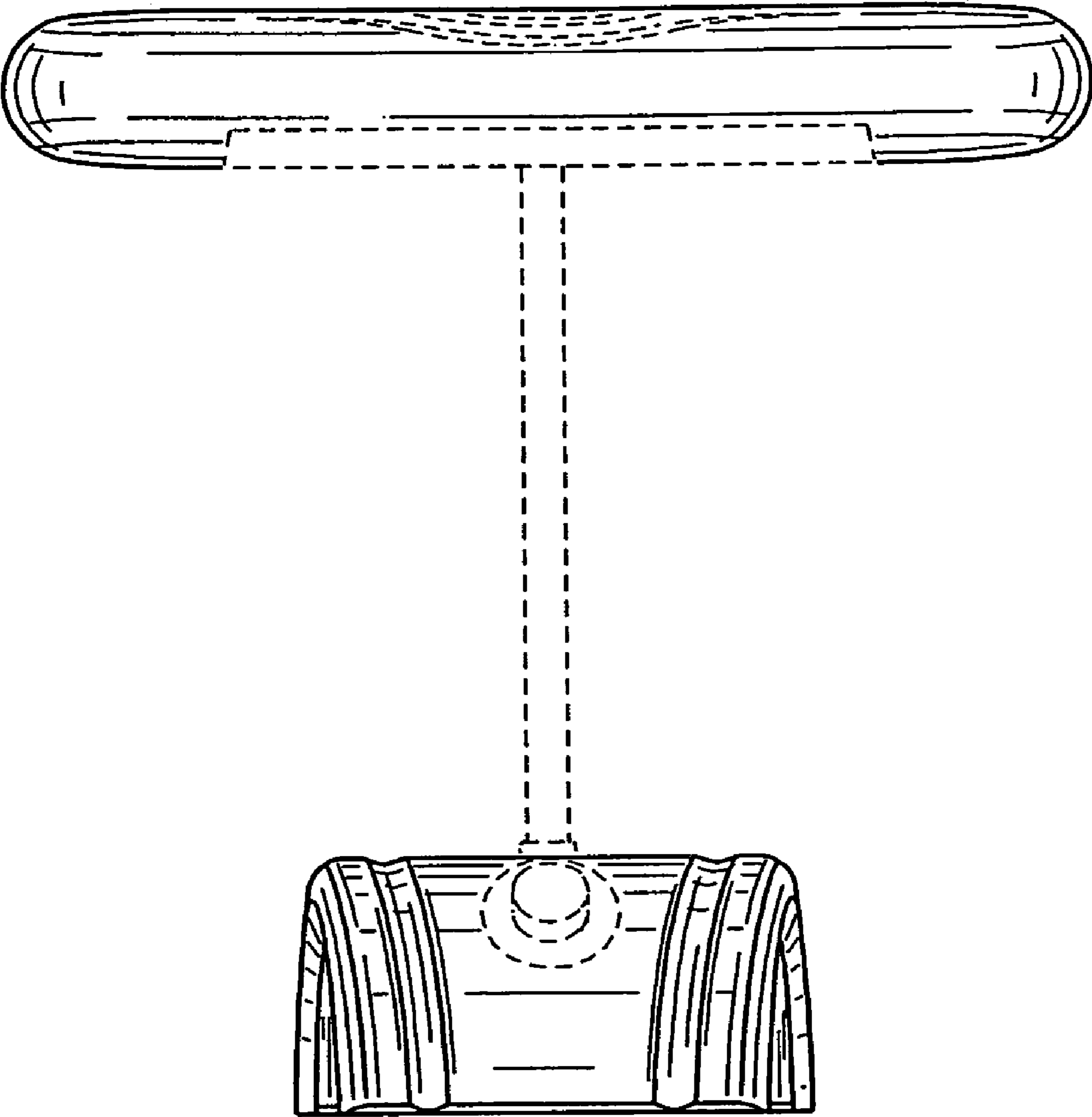


FIG. 2

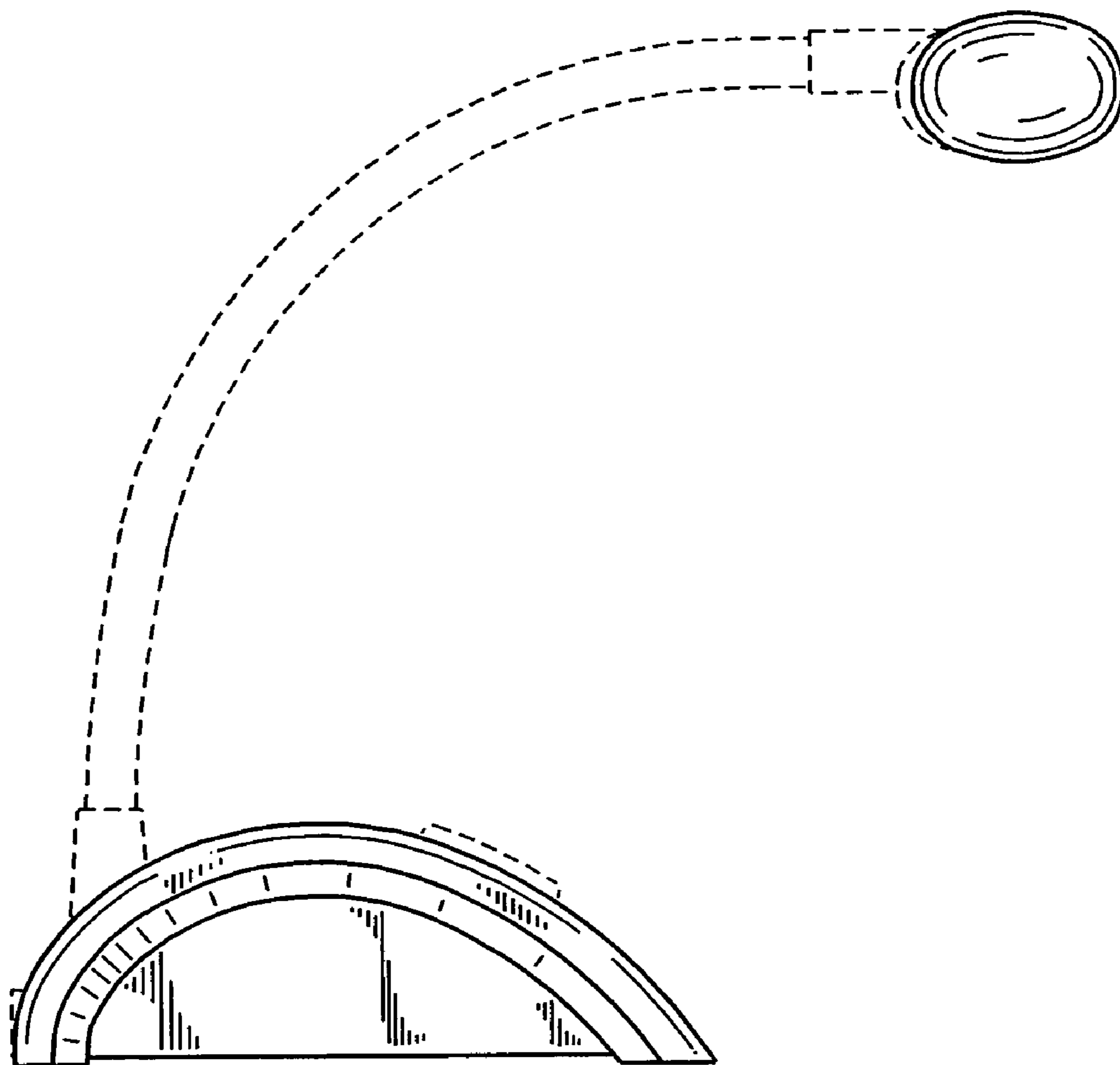


FIG. 3

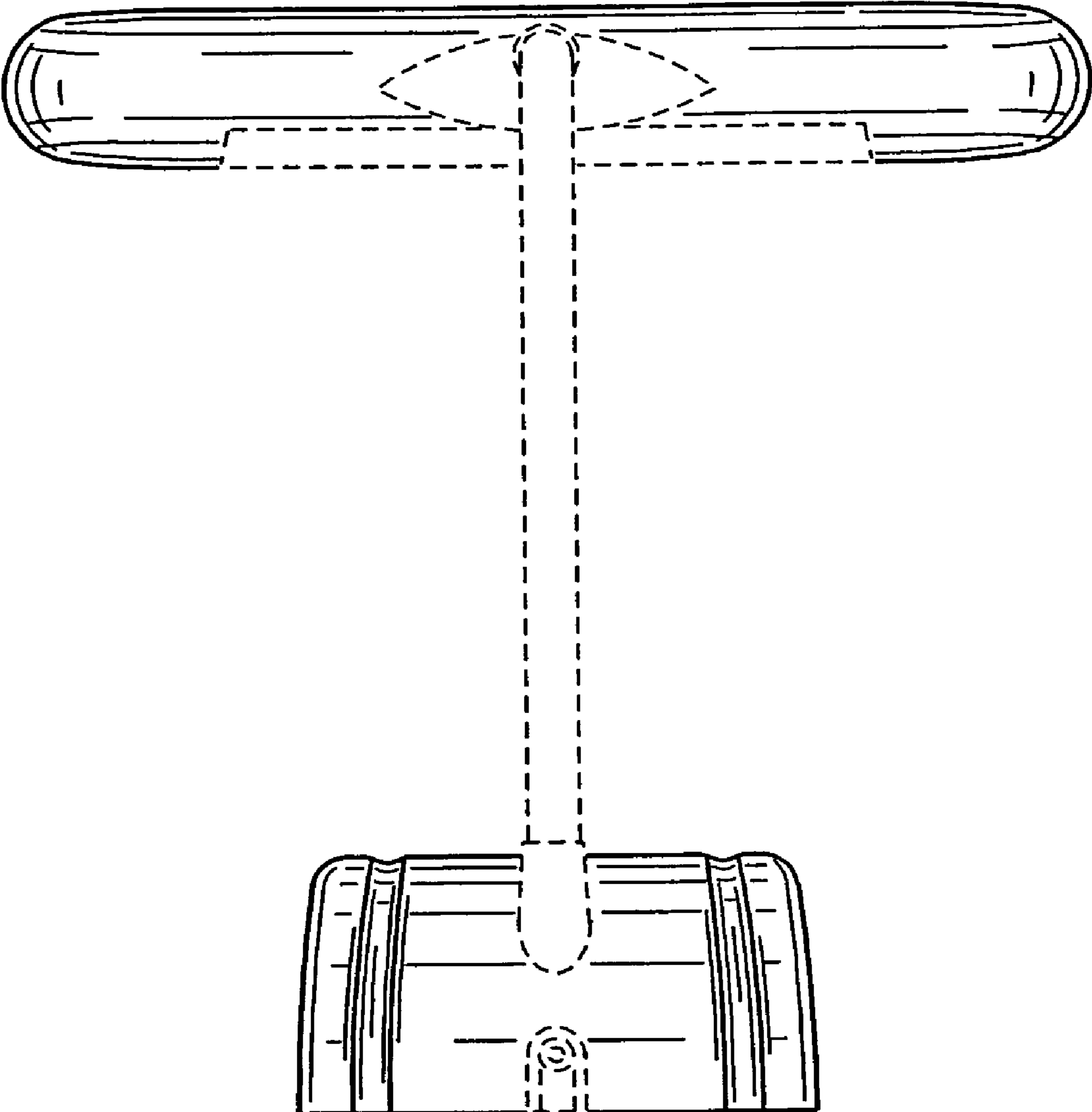


FIG. 4

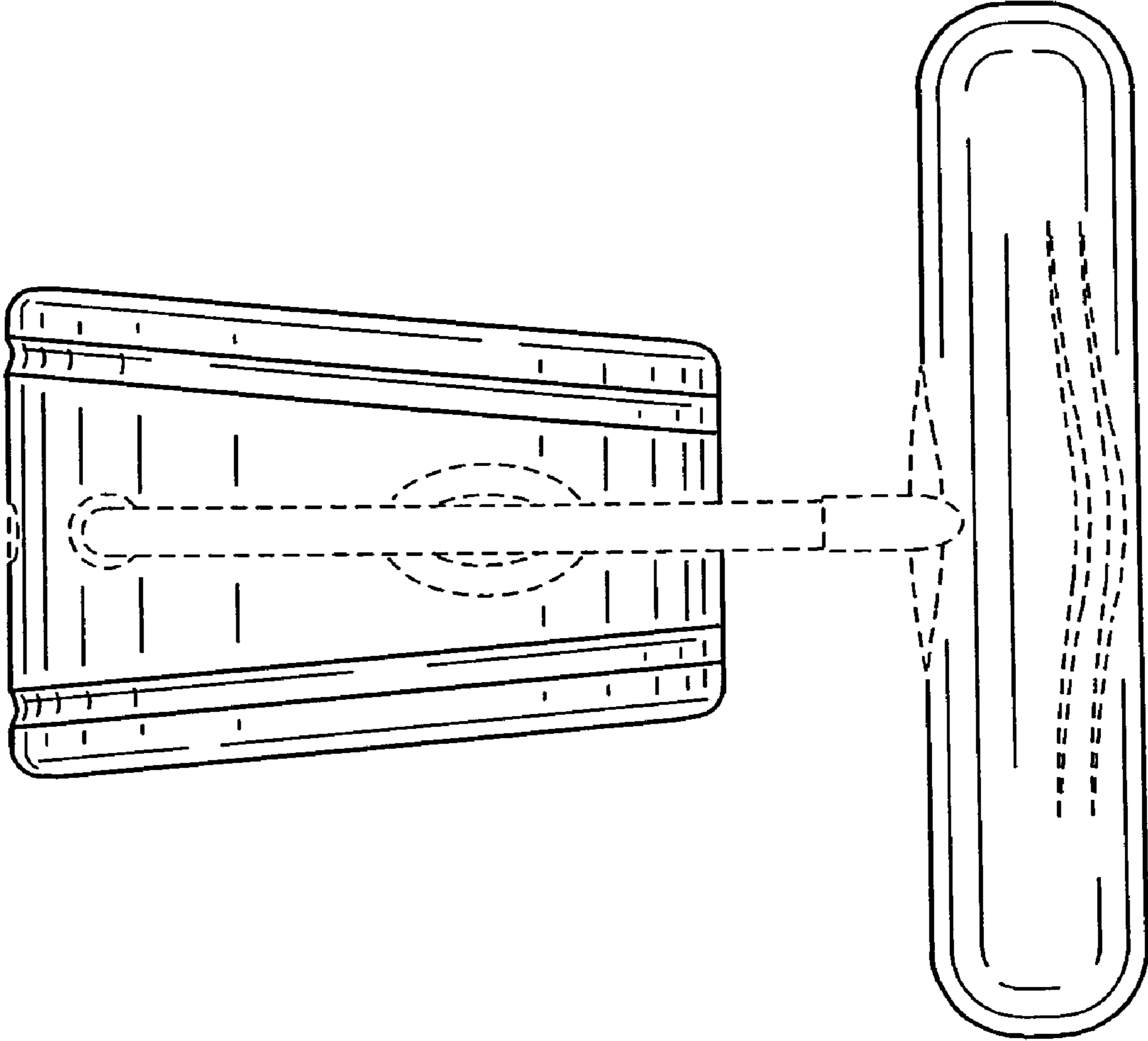


FIG. 5

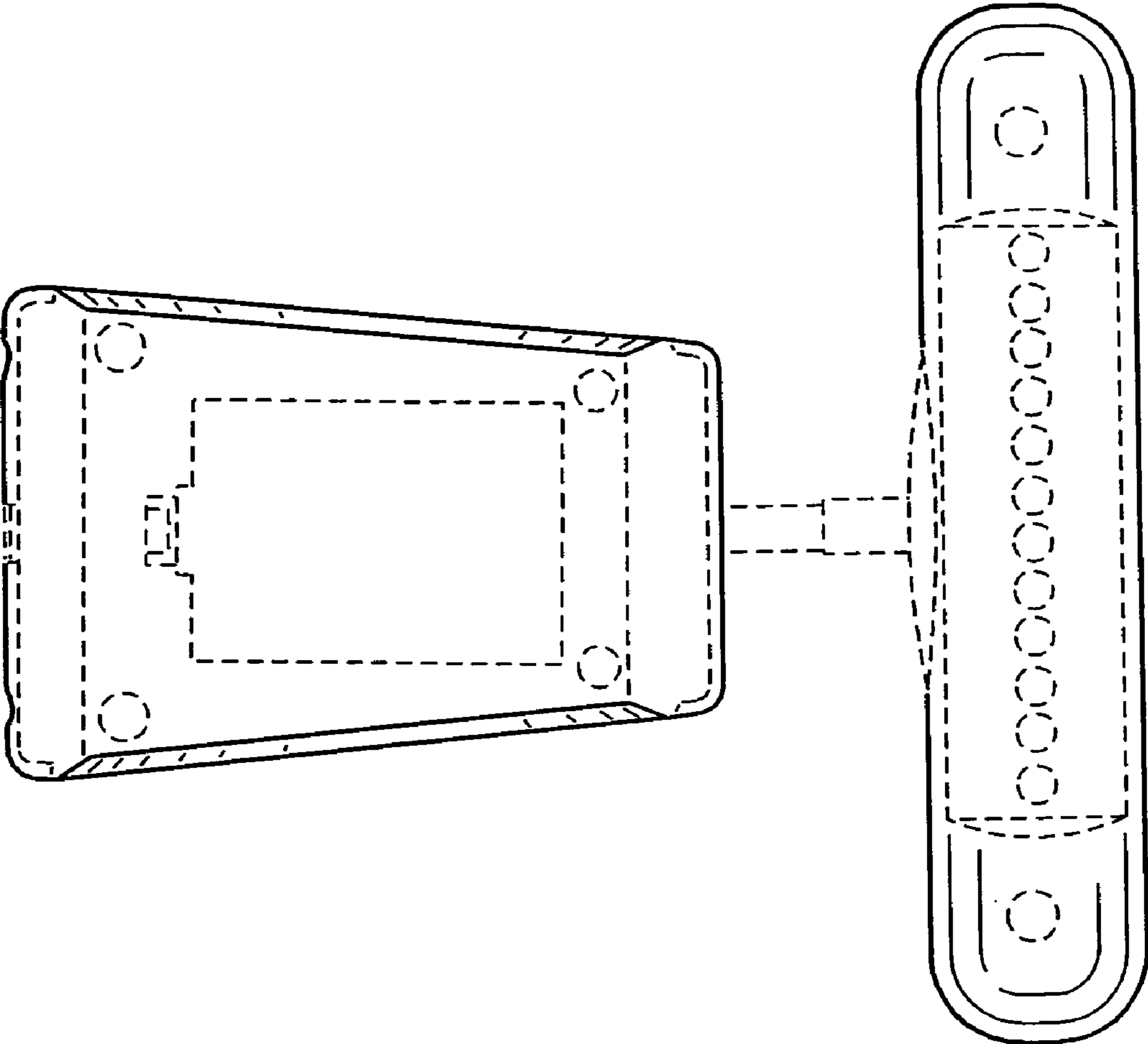


FIG. 6