



US00D574530S

(12) **United States Design Patent**
Tragatschnig

(10) **Patent No.:** **US D574,530 S**

(45) **Date of Patent:** **** Aug. 5, 2008**

(54) **LIGHT**

(75) **Inventor:** **Jörg Tragatschnig, Zell am See (AT)**

(73) **Assignee:** **Zumtobel Lighting GmbH & Co. KG, Lemgo (DE)**

(**) **Term:** **14 Years**

(21) **Appl. No.:** **29/271,009**

(22) **Filed:** **Jan. 8, 2007**

(30) **Foreign Application Priority Data**

Jul. 6, 2006 (EM) 000556238

(51) **LOC (8) Cl.** **26-05**

(52) **U.S. Cl.** **D26/61**

(58) **Field of Classification Search** D26/14,
D26/60-66; 362/410, 413, 414, 419, 427,
362/285, 287, 282, 277, 275, 274, 271, 270,
362/269, 431

See application file for complete search history.

(56) **References Cited**

U.S. PATENT DOCUMENTS

- D122,711 S * 9/1940 May D26/63
- D302,865 S * 8/1989 von Klier D26/63
- D310,727 S * 9/1990 Lu D26/63
- D320,865 S * 10/1991 Chang D26/108

- D340,303 S * 10/1993 Huang D26/66
- D382,076 S * 8/1997 Chan D26/65
- D515,235 S * 2/2006 Opolka D26/107
- D536,474 S * 2/2007 Chandler D26/93

* cited by examiner

Primary Examiner—Cathron Brooks

Assistant Examiner—Barbara Fox

(74) *Attorney, Agent, or Firm*—Marshall, Gerstein & Borun LLP

(57) **CLAIM**

The ornamental design for a light, as shown and described.

DESCRIPTION

FIG. 1 is a perspective view of a light that has the design.

FIG. 2 is another perspective view of the light.

FIG. 3 is a side view of the light. The opposite side is a mirror image.

FIG. 4 is a front side view of the light.

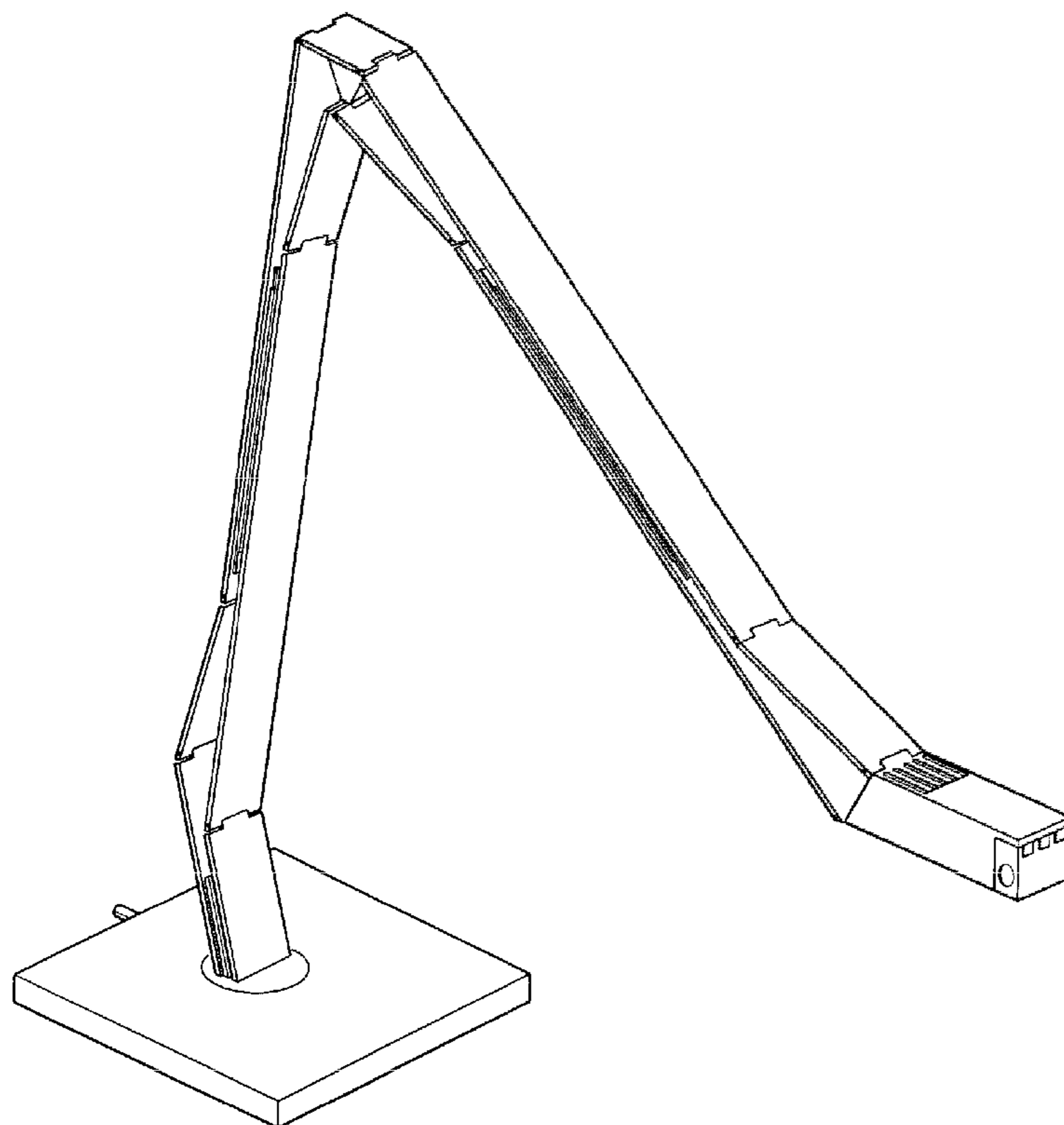
FIG. 5 is a back side view of the light.

FIG. 6 is a bottom view of the light; and,

FIG. 7 is a top view of the light.

The broken line showing of portions of the light is for the purpose of illustrating portions of the light and forms no part of the claimed design.

1 Claim, 5 Drawing Sheets



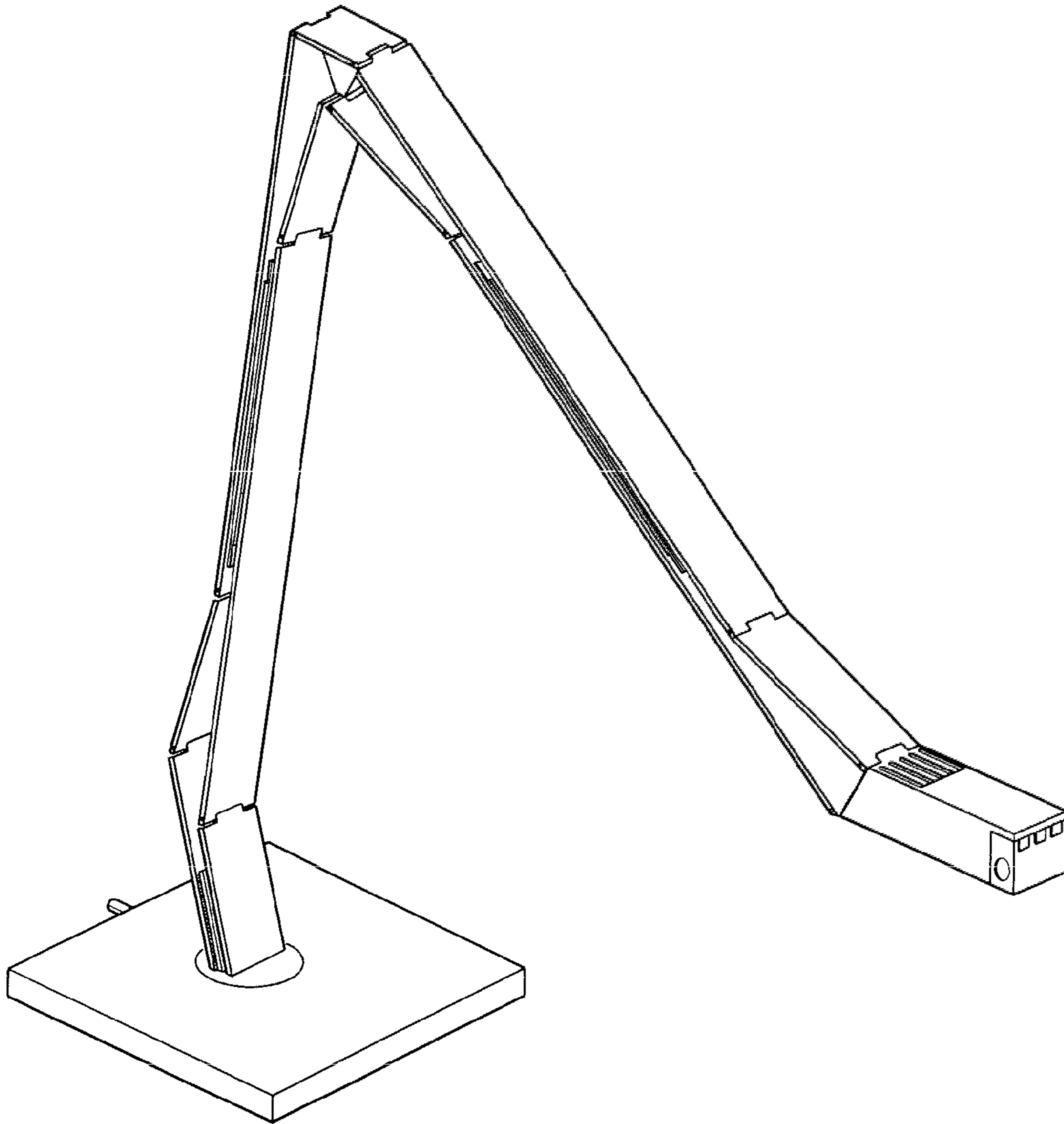


FIG. 1

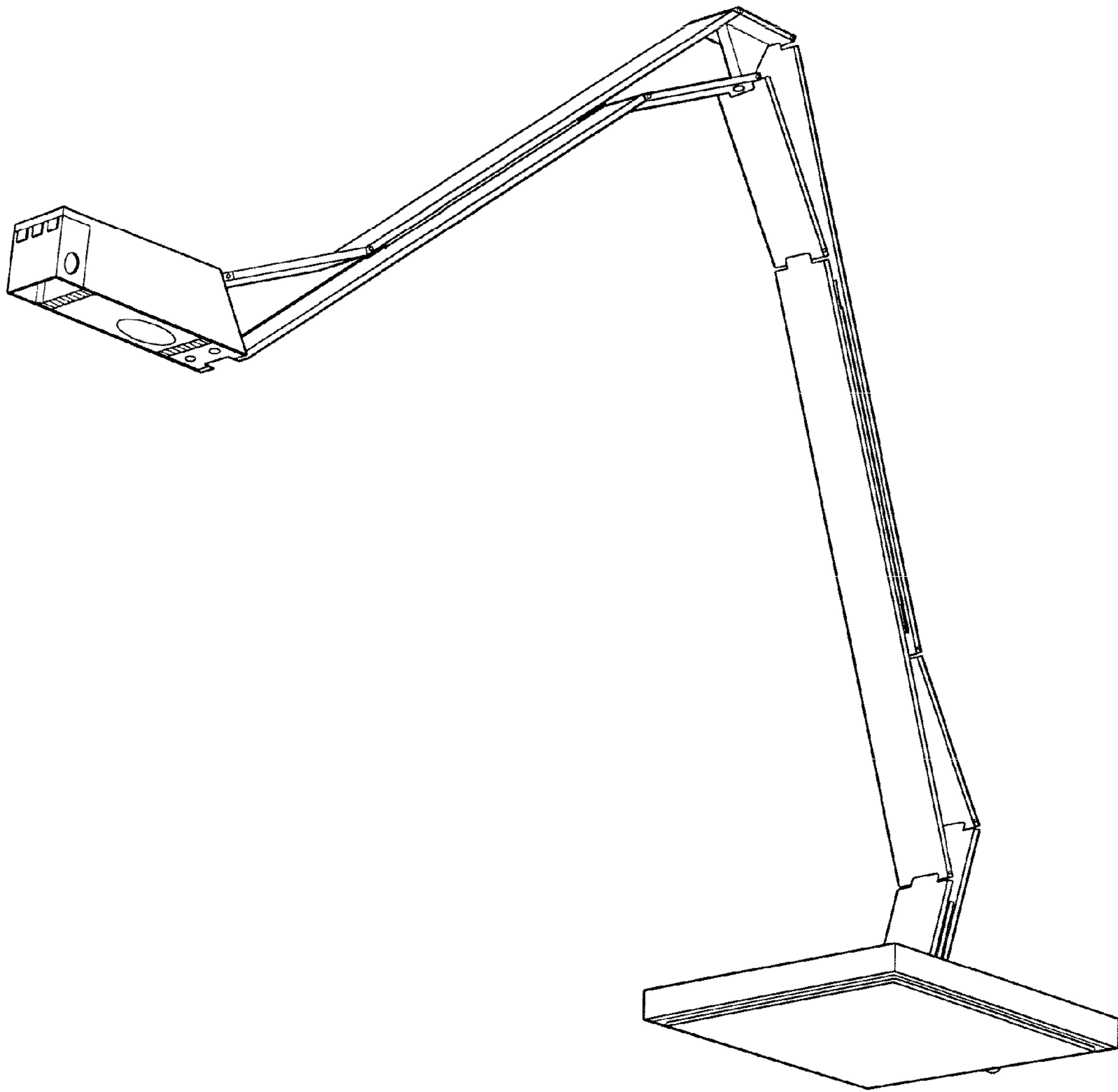


FIG. 2

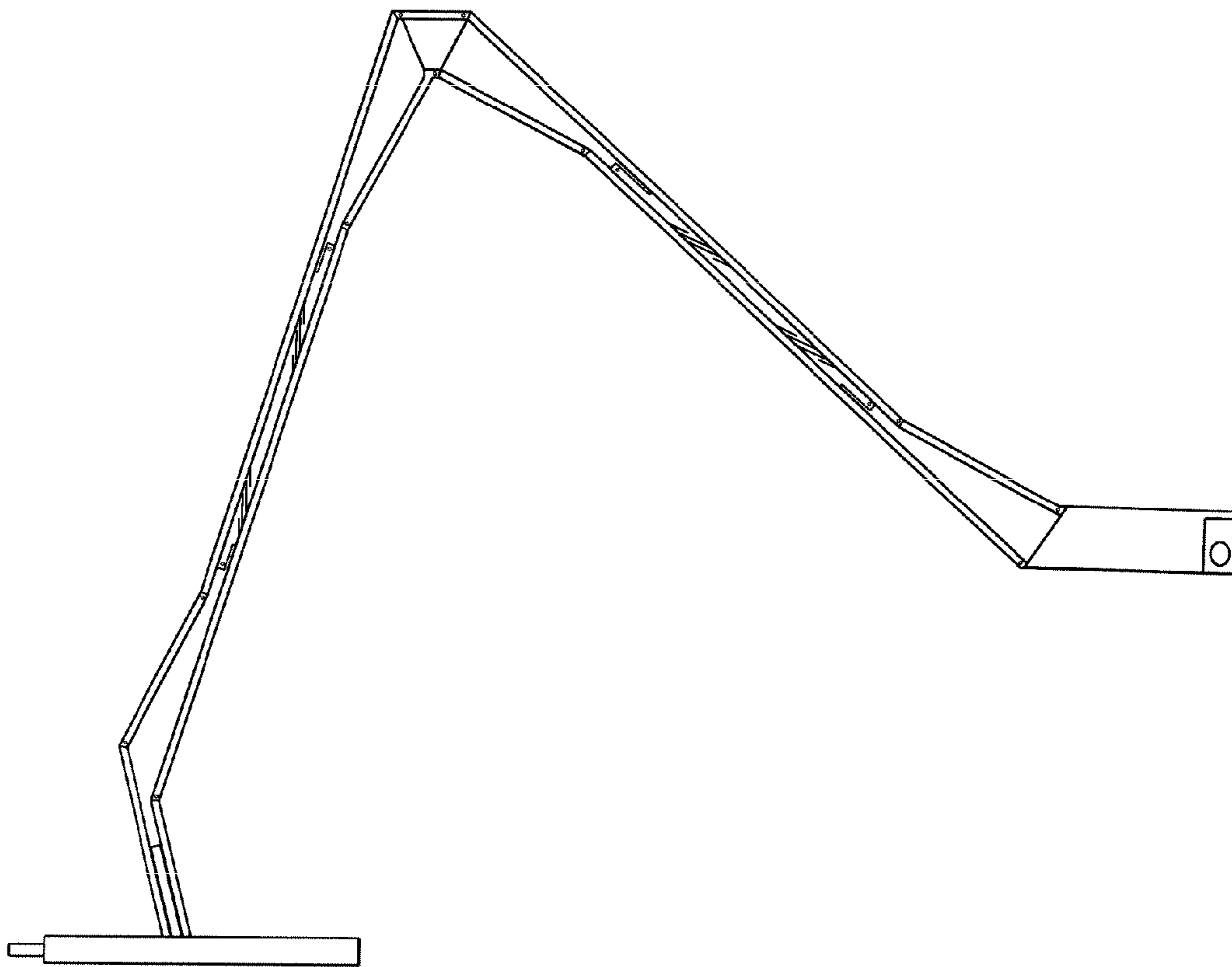


FIG. 3

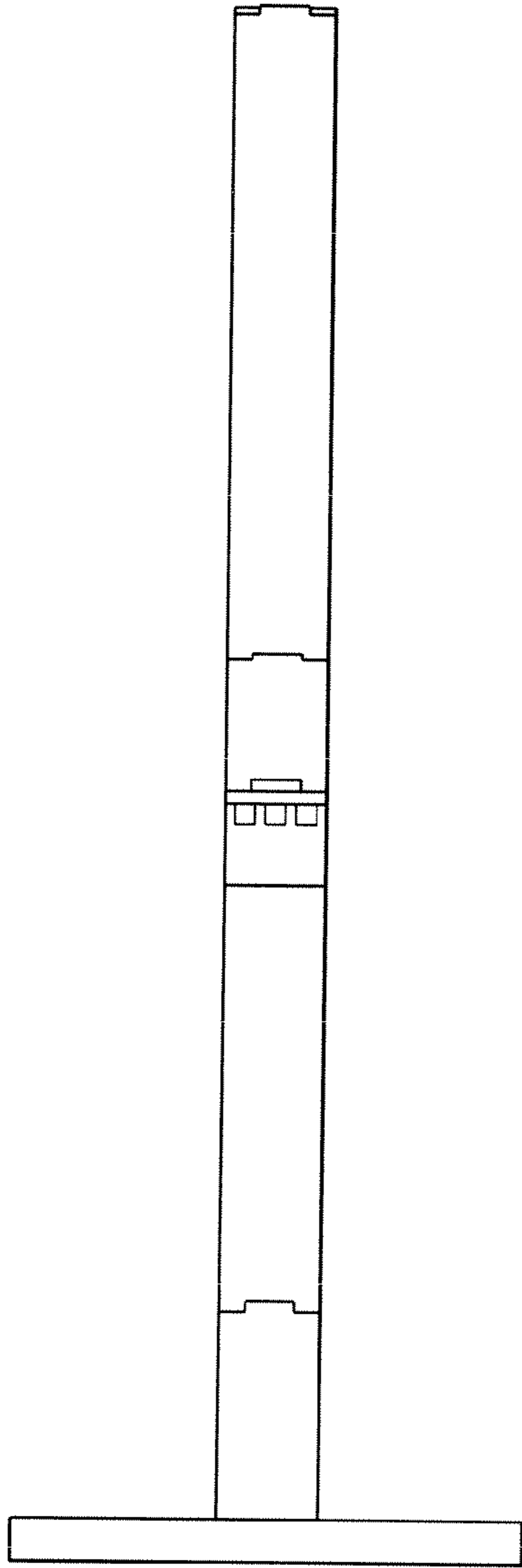


FIG. 4

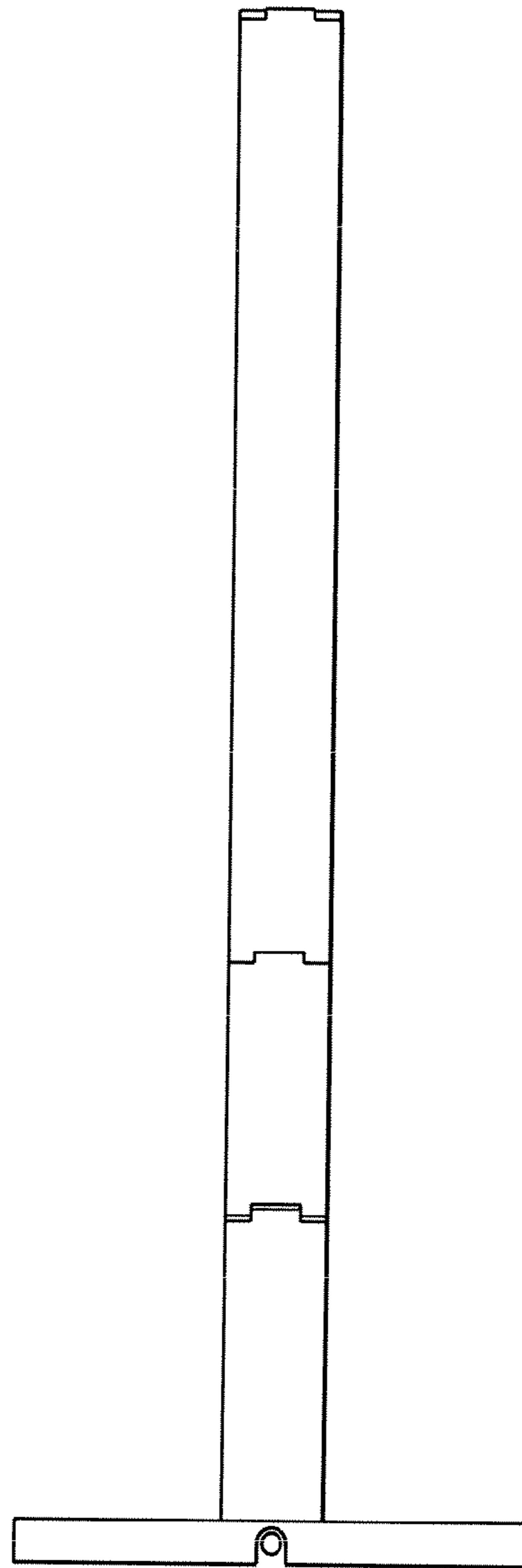


FIG. 5

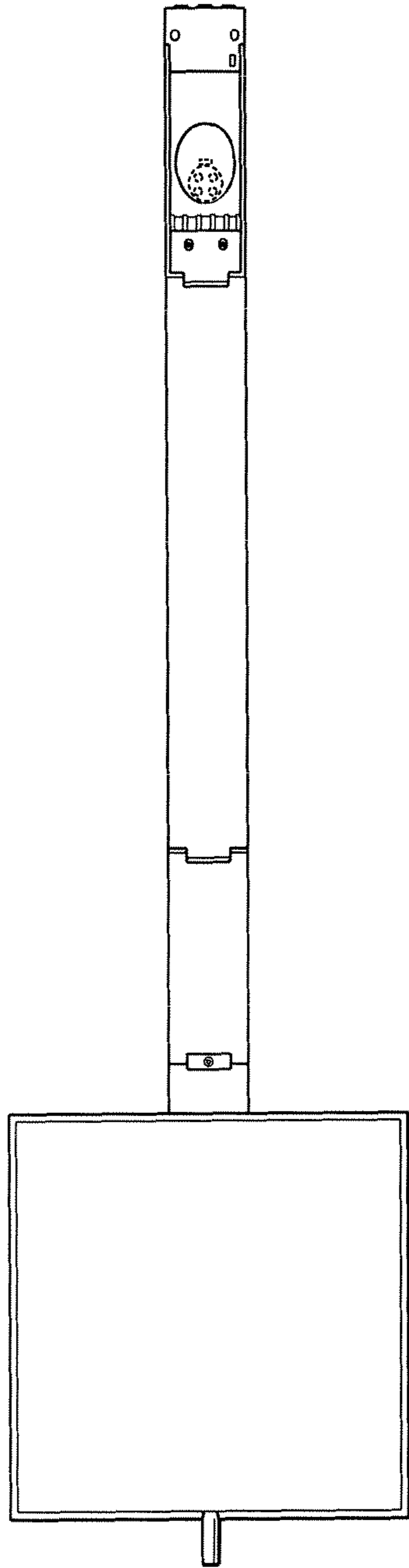


FIG. 6

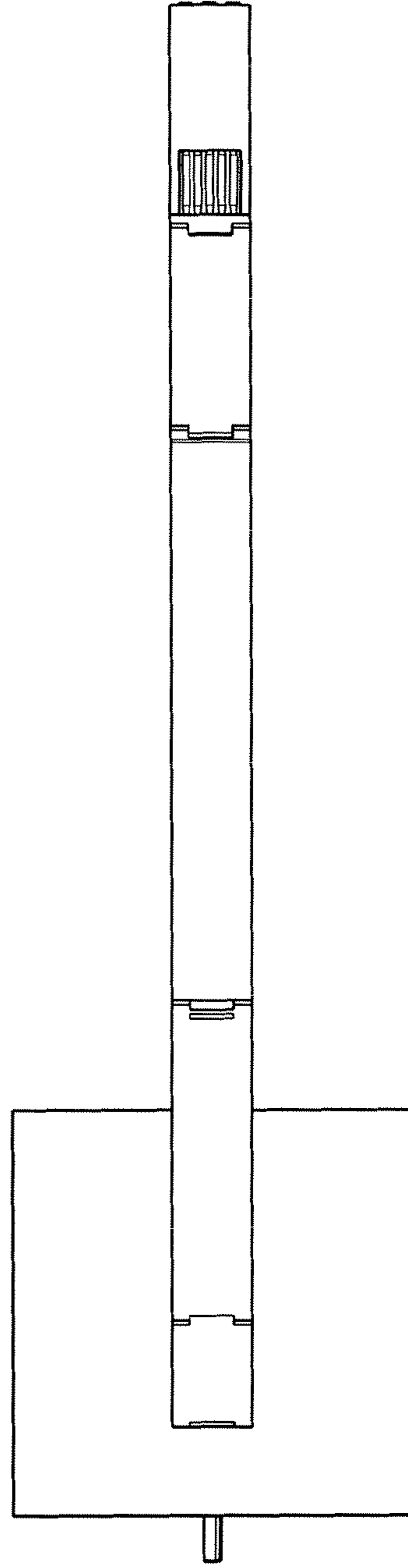


FIG. 7