



US00D574529S

(12) **United States Design Patent**
Squires et al.

(10) **Patent No.:** **US D574,529 S**
(45) **Date of Patent:** **** Aug. 5, 2008**

(54) **FLASHLIGHT**

(75) Inventors: **Michael S. Squires**, Ryde (AU); **Peter McMillan**, Wollstonecraft (AU); **David Spartano**, Brunswick, OH (US)

(73) Assignee: **Eveready Battery Company, Inc.**, St. Louis, MO (US)

(**) Term: **14 Years**

(21) Appl. No.: **29/288,280**

(22) Filed: **Jun. 6, 2007**

(51) **LOC (8) Cl.** **26-02**

(52) **U.S. Cl.** **D26/49**

(58) **Field of Classification Search** D26/37-50;
362/157, 158, 171-174, 183-208
See application file for complete search history.

(56) **References Cited**

U.S. PATENT DOCUMENTS

1,513,437	A	10/1924	Voorhees
1,598,666	A	9/1926	Voorhees
2,752,441	A	6/1956	Frank
3,345,489	A	10/1967	Kemnitz
3,652,846	A	3/1972	Starck, II
3,711,699	A	1/1973	Bacevius
3,743,915	A	7/1973	Struck
4,000,403	A	12/1976	Rice
4,025,743	A	5/1977	Oswald
4,250,446	A	2/1981	Ponte
4,504,889	A	3/1985	Goldfarb
4,607,207	A	8/1986	Bruneau
4,905,129	A	2/1990	Sharrah
5,167,447	A	12/1992	Gonzales
5,299,375	A	4/1994	Thummel et al.

(Continued)

FOREIGN PATENT DOCUMENTS

DD	146135	A1	1/1981
DE	1736669		12/1956

DE	10004220	A1	8/2001
FR	2499319	A1	8/1982
GB	2269475	A	2/1994
JP	09082295	A	3/1997
WO	2005/010429	A	2/2005

Primary Examiner—Marcus A. Jackson

(74) *Attorney, Agent, or Firm*—Gregory J. Adams

(57) **CLAIM**

We claim the ornamental design for a flashlight, as shown and described.

DESCRIPTION

FIG. 1 is a top right perspective view of the flashlight of the design.

FIG. 2 is a bottom right perspective view of the flashlight of the design.

FIG. 3 is a top view of the flashlight of the design.

FIG. 4 is a bottom view of the flashlight of the design.

FIG. 5 is a right side view of the flashlight of the design. A left side view is a mirror image of the left side view.

FIG. 6 is a front view of the flashlight of the design.

FIG. 7 is a rear view of the flashlight of the design.

FIG. 8 is another top right perspective view of the flashlight of the design with a lanyard.

FIG. 9 is another bottom right perspective view of the flashlight of the design.

FIG. 10 is another top view of the flashlight of the design.

FIG. 11 is another bottom view of the flashlight of the design.

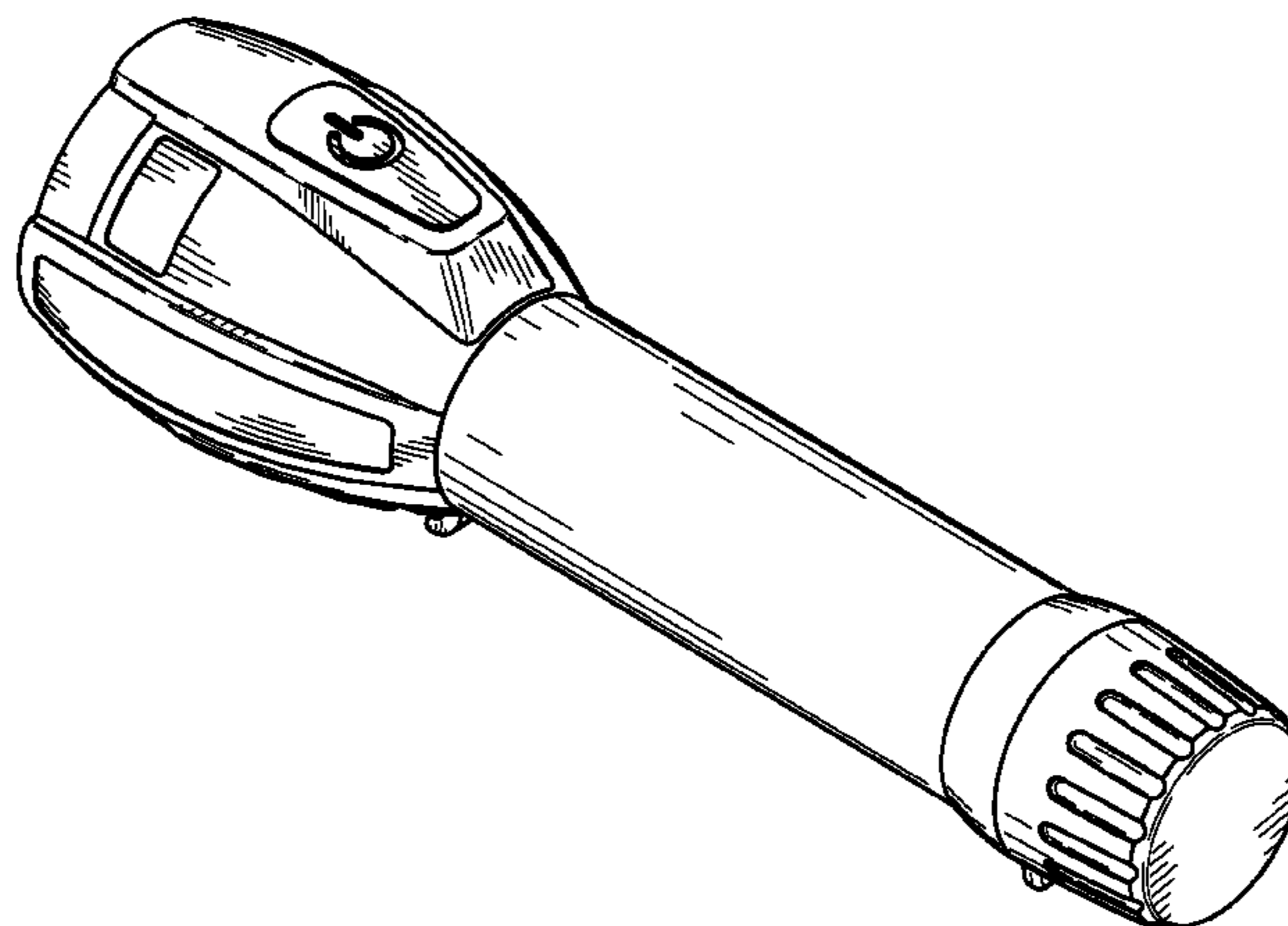
FIG. 12 is another right side view of the flashlight of the design. A left side view is a mirror image of the left side view.

FIG. 13 is another front view of the flashlight of the design; and,

FIG. 14 is another rear view of the flashlight of the design.

Any broken line(s) shown are for illustrative purposes only and form no part of the claimed design.

1 Claim, 6 Drawing Sheets



US D574,529 S

Page 2

U.S. PATENT DOCUMENTS

5,471,777	A	12/1995	McDonald	6,276,088	B1	8/2001	Matthews et al.	
5,590,951	A	1/1997	Matthews	6,378,237	B1	4/2002	Matthews et al.	
5,629,105	A	5/1997	Matthews	D488,876	S *	4/2004	Kotani	D26/49
5,909,062	A	6/1999	Krietzman	D496,482	S	9/2004	Osiecki et al.	
6,046,572	A	4/2000	Matthews et al.	D498,865	S *	11/2004	Mah	D26/49
D433,523	S *	11/2000	Poon	6,942,359	B2	9/2005	Furth et al.	
6,222,138	B1	4/2001	Matthews et al.	D550,873	S *	9/2007	Garrity	D26/49
				D554,786	S *	11/2007	Rugendyke et al.	D26/49

* cited by examiner

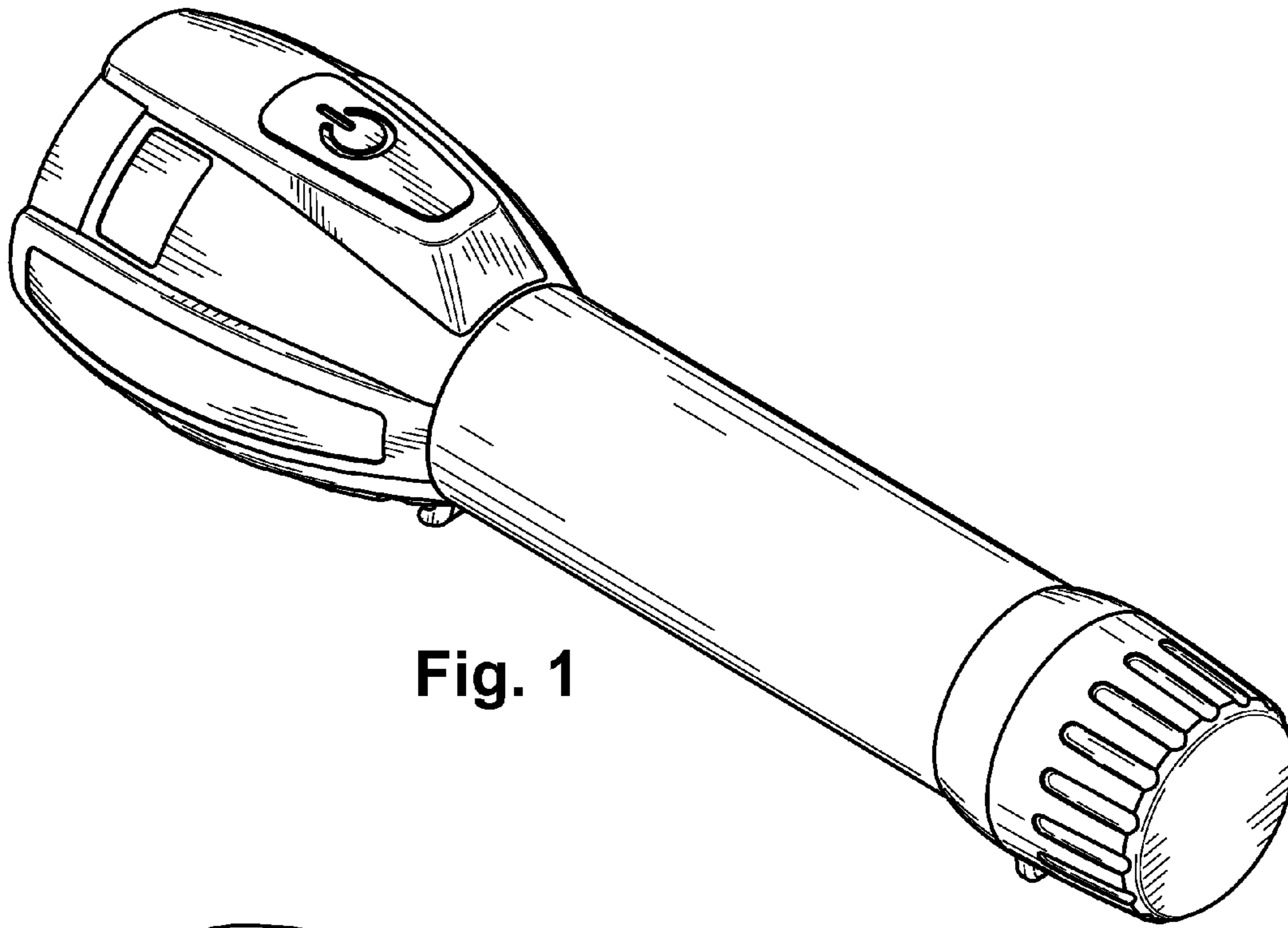


Fig. 1

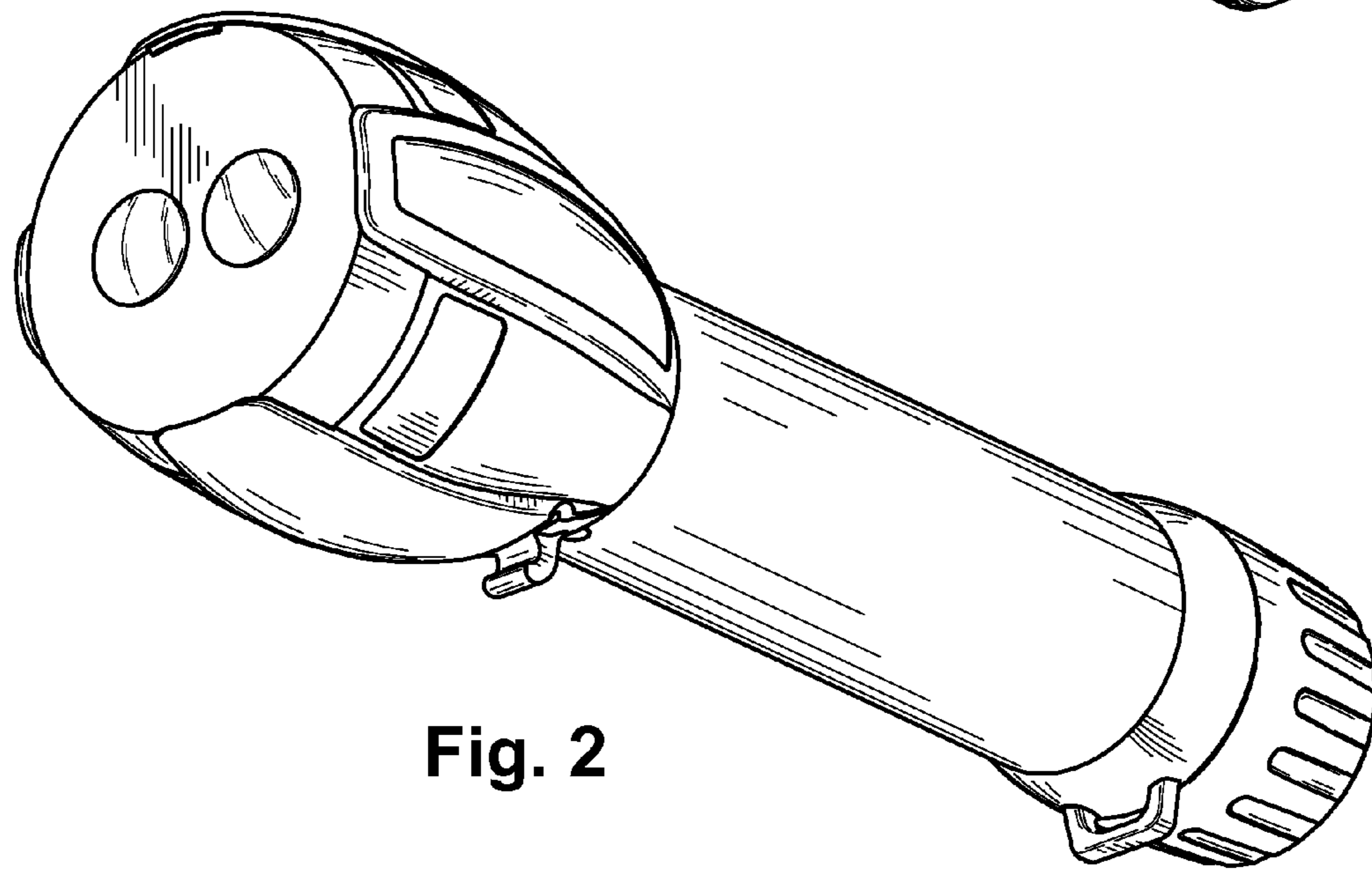


Fig. 2

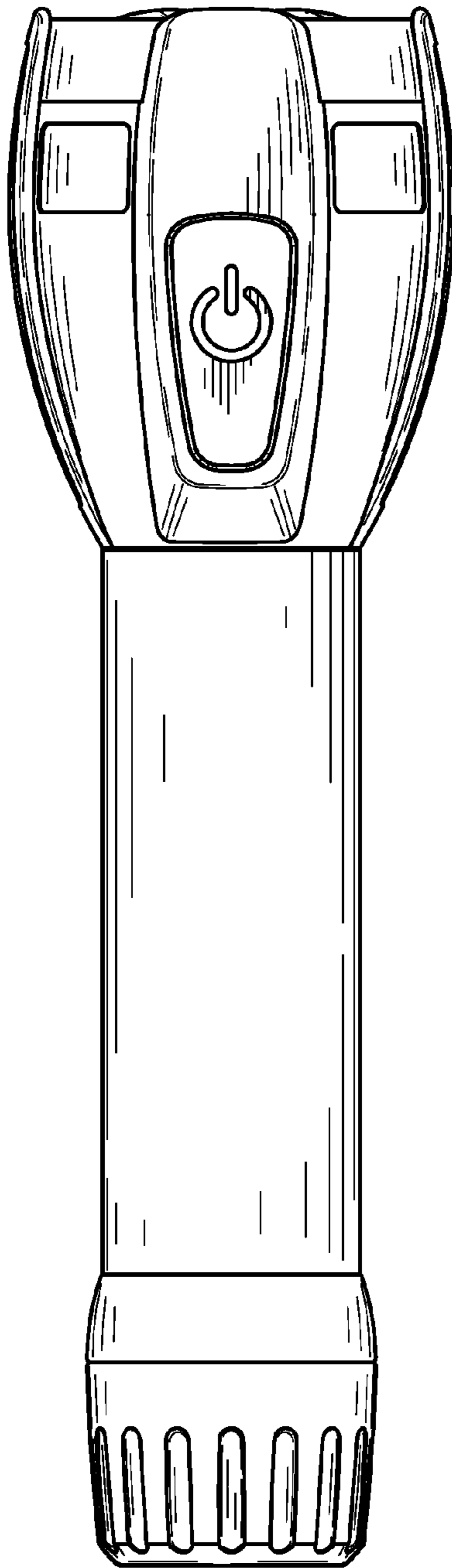


Fig. 3

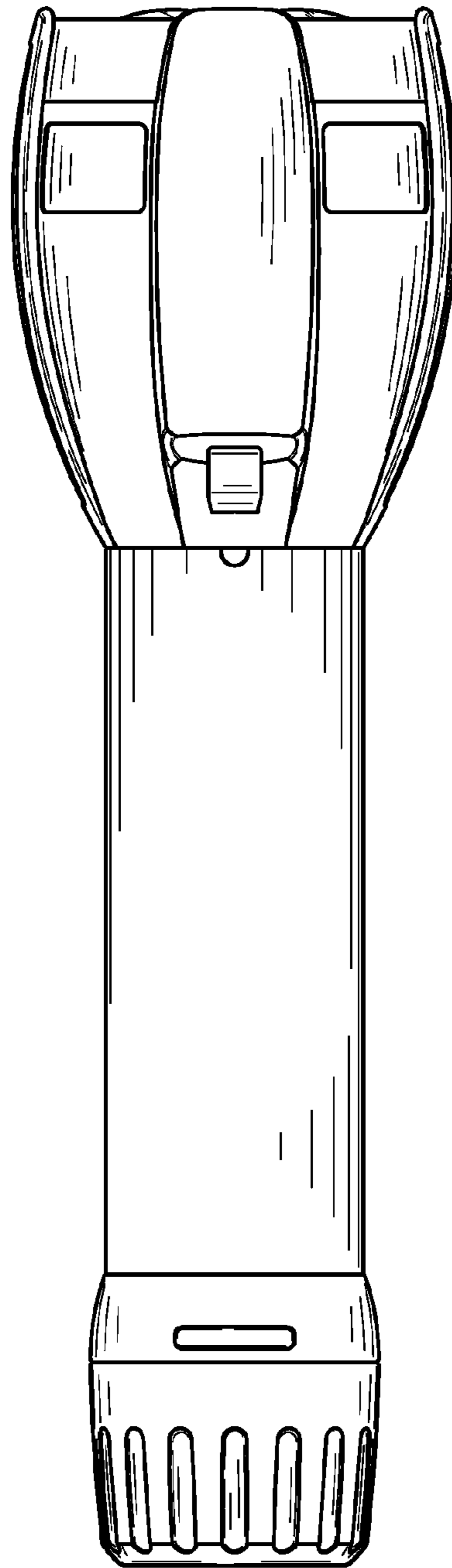


Fig. 4

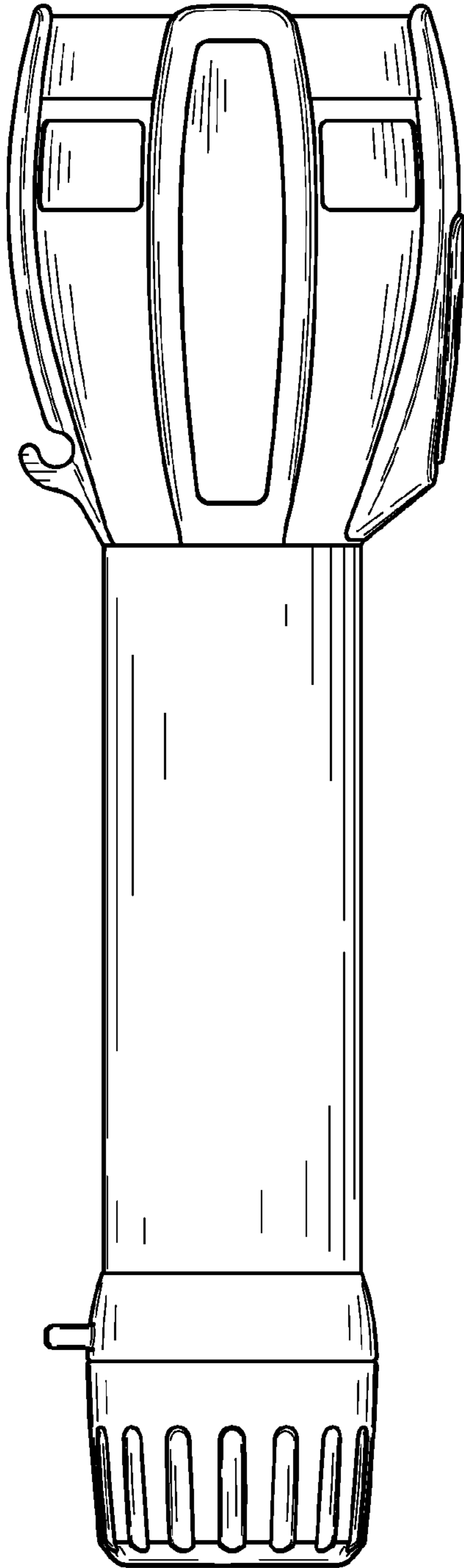


Fig. 5

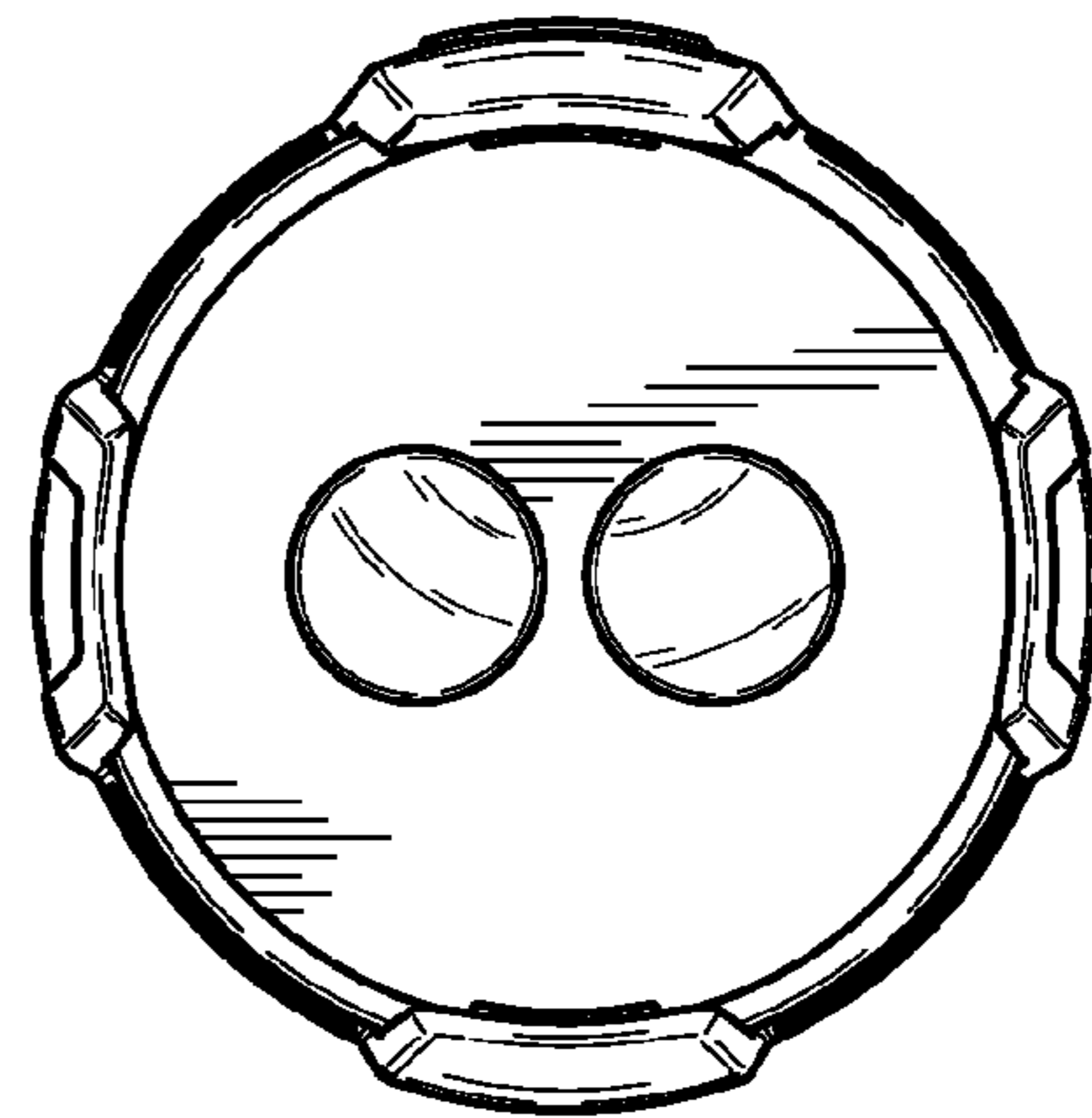


Fig. 6

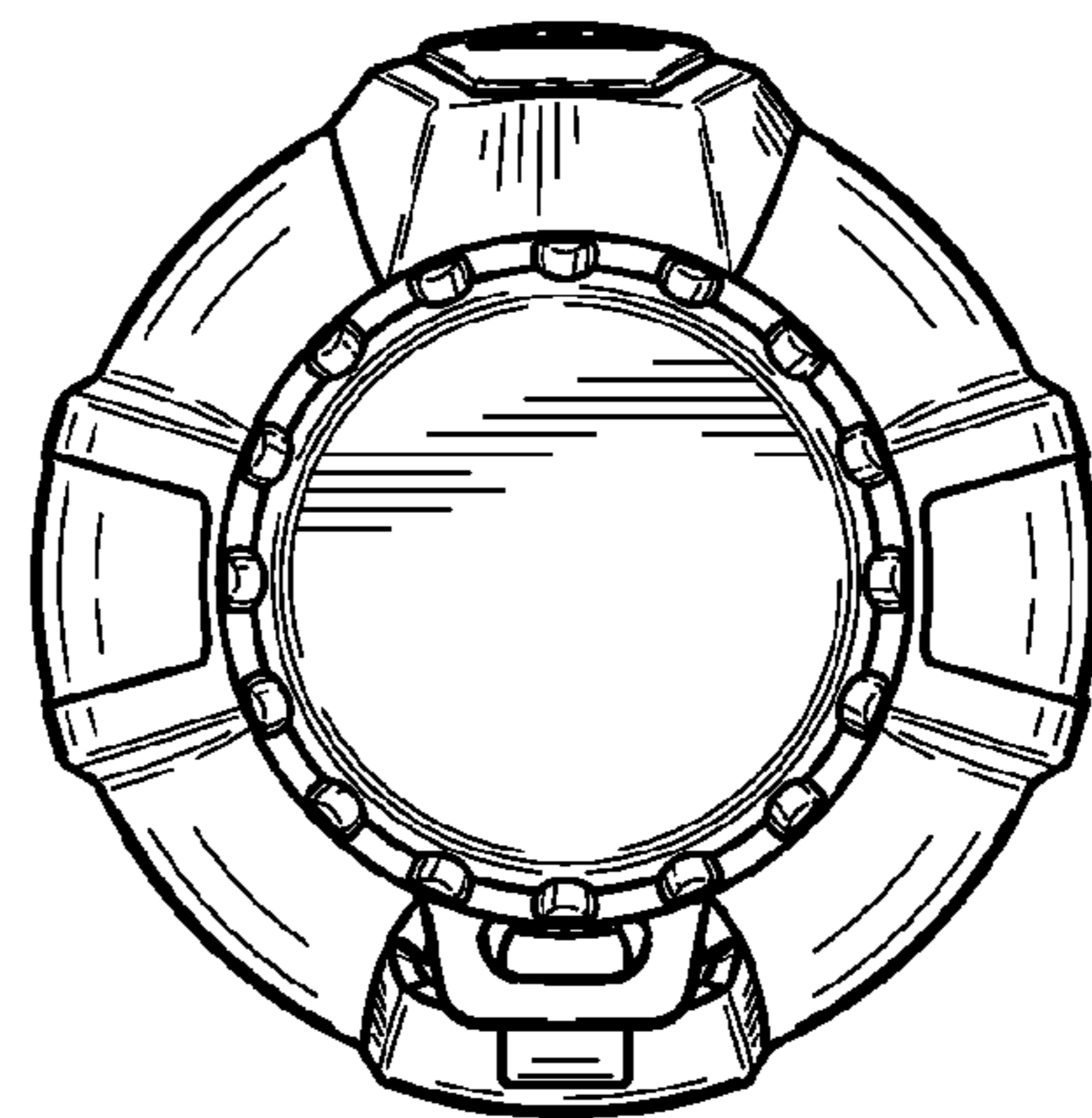


Fig. 7

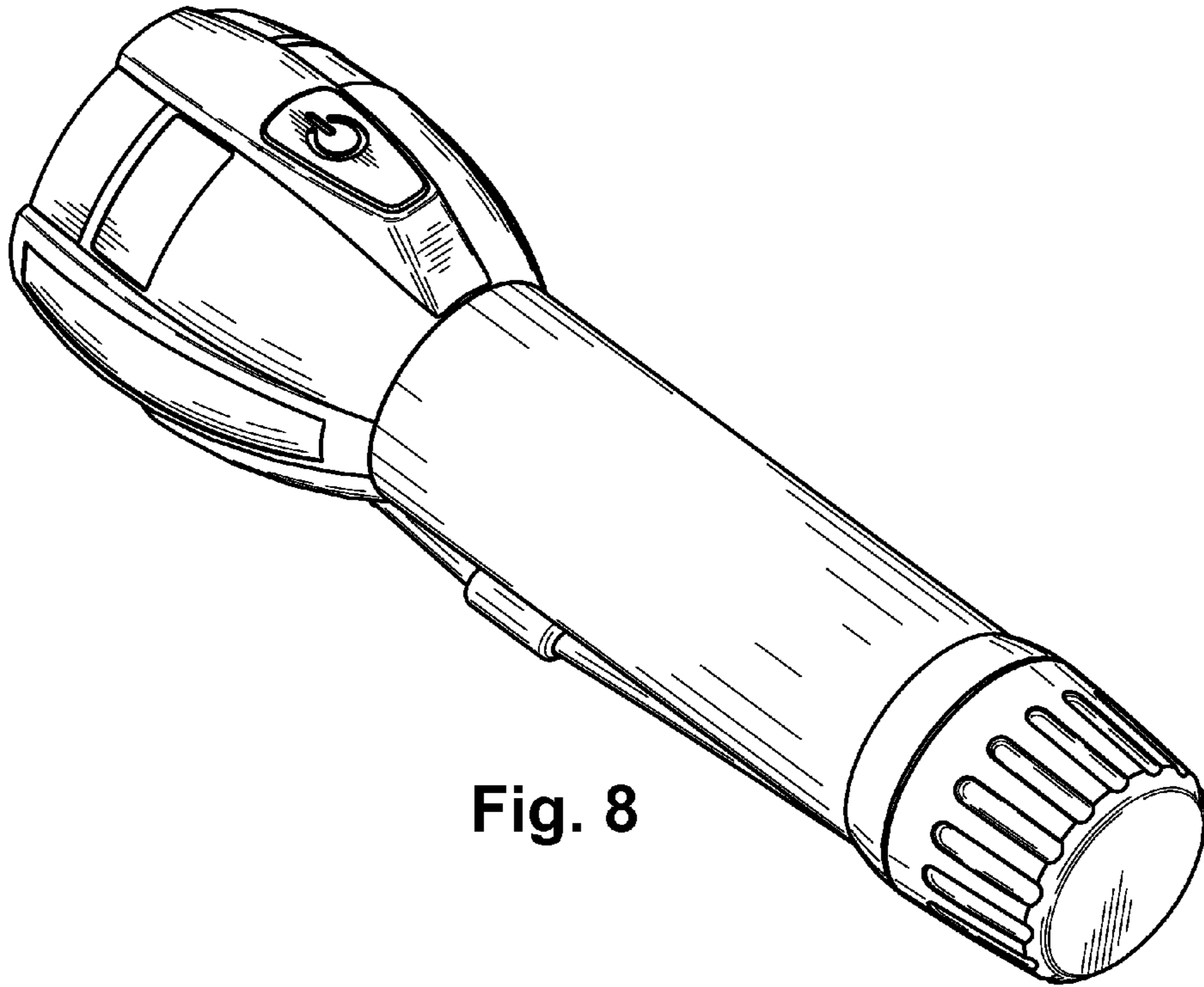


Fig. 8

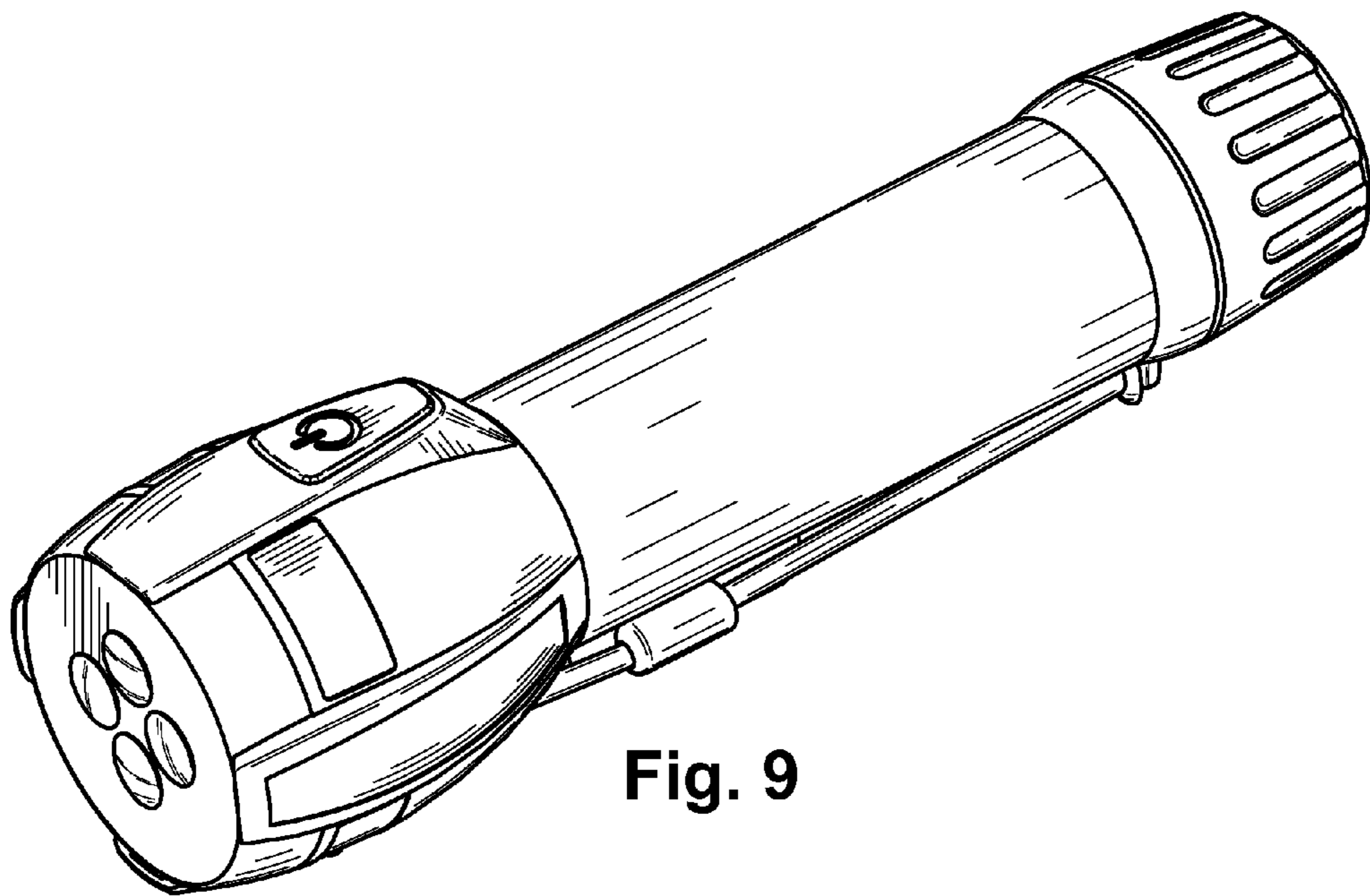


Fig. 9

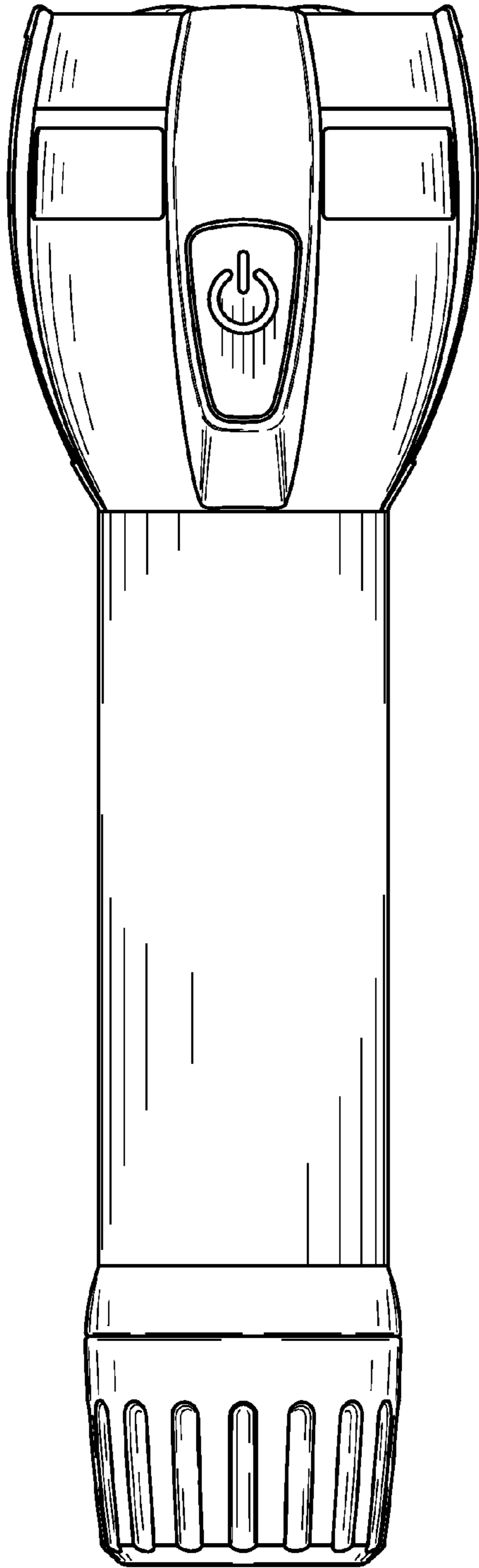


Fig. 10

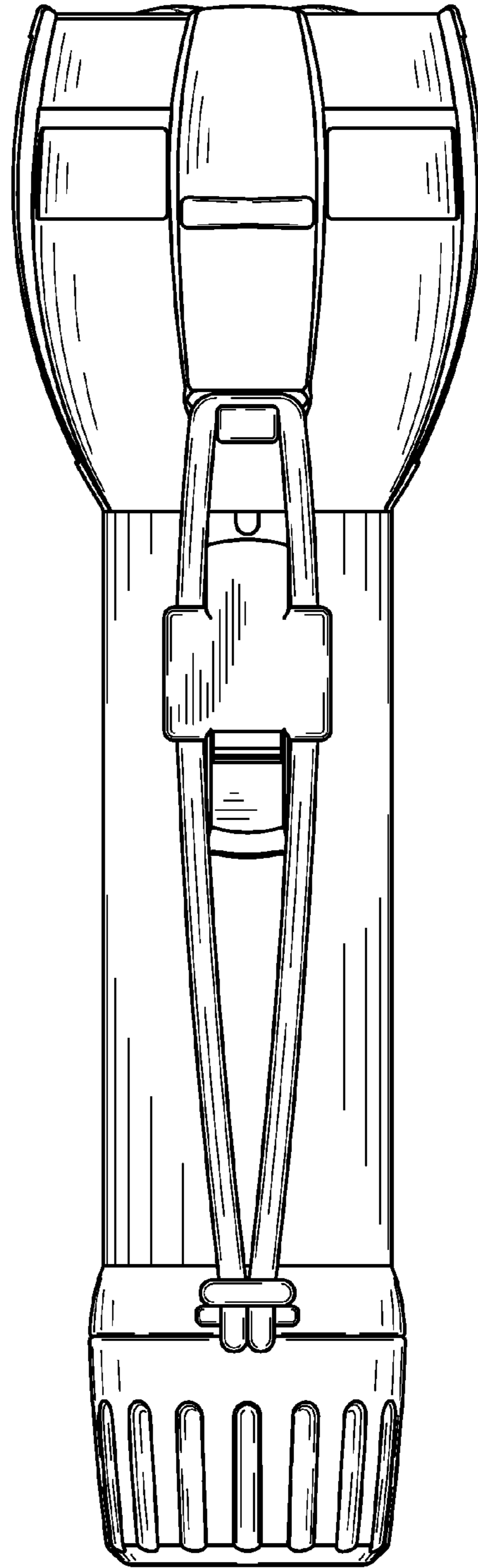


Fig. 11

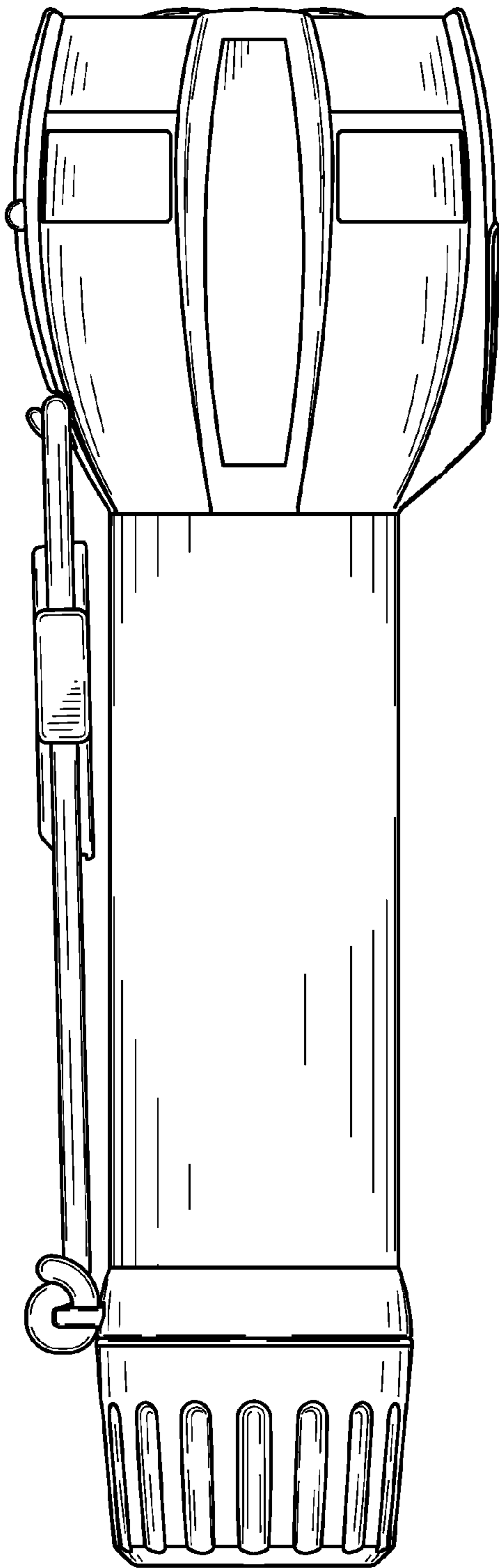


Fig. 12

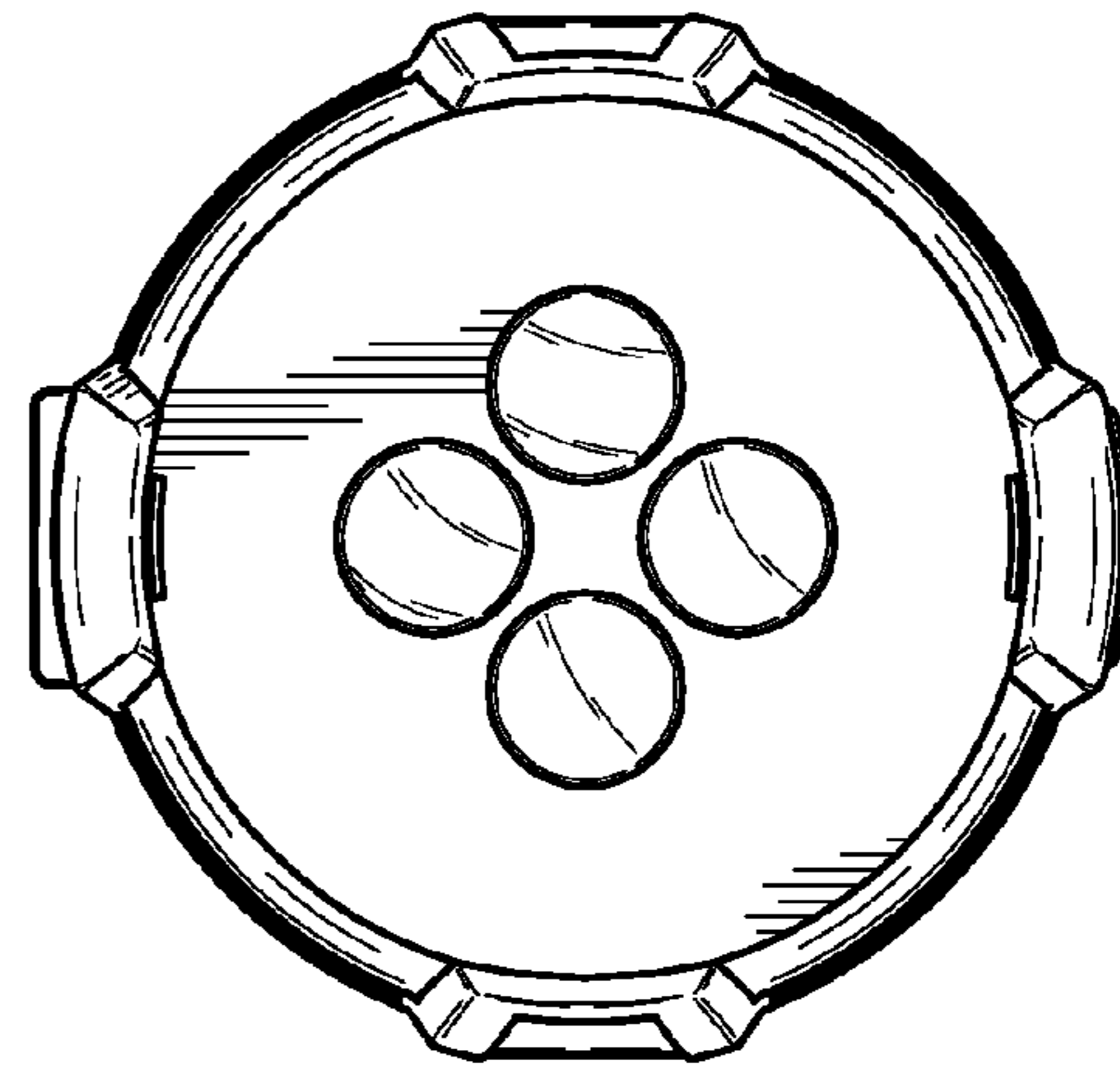


Fig. 13

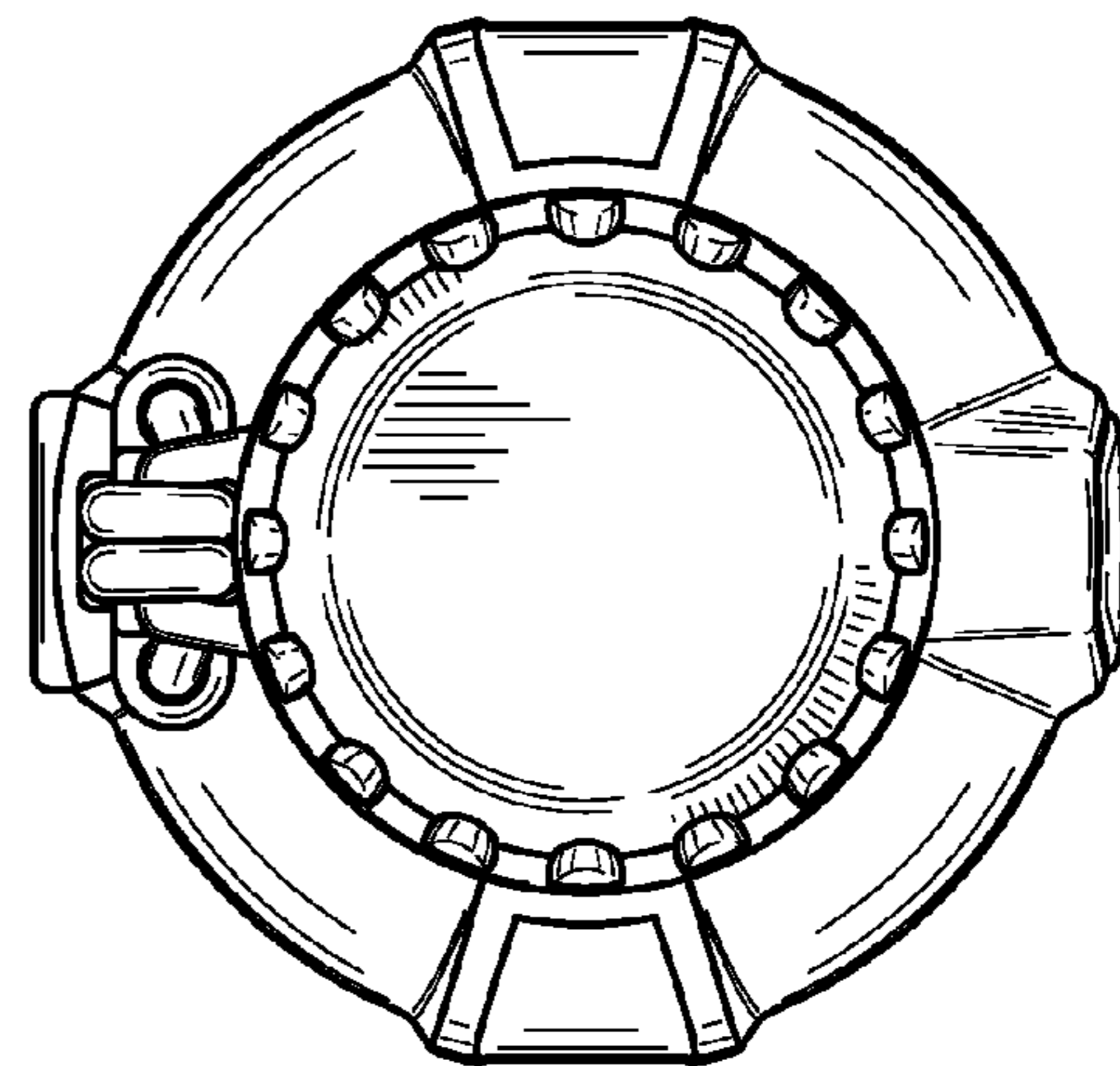


Fig. 14