



US00D574528S

(12) **United States Design Patent**  
**Witte**

(10) **Patent No.:** **US D574,528 S**

(45) **Date of Patent:** **\*\* Aug. 5, 2008**

(54) **POCKET LAMP**

(75) Inventor: **Waldemar Witte**, Murrhardt (DE)

(73) Assignee: **Witte + Sutor GmbH**, Murrhardt (DE)

(\*\*) Term: **14 Years**

(21) Appl. No.: **29/174,164**

(22) Filed: **Jan. 13, 2003**

(30) **Foreign Application Priority Data**

Jul. 11, 2002 (DE) ..... 4 02 05 753

(51) **LOC (8) Cl.** ..... **26-02**

(52) **U.S. Cl.** ..... **D26/49; D26/37**

(58) **Field of Classification Search** ..... D26/37,  
D26/38, 41, 46, 49, 50; 362/157, 158, 183,  
362/190, 191, 194, 195, 196, 197, 201, 202,  
362/203, 205, 208

See application file for complete search history.

(56) **References Cited**

U.S. PATENT DOCUMENTS

- 3,711,703 A 1/1973 Bacevius
- 4,514,790 A 4/1985 Will
- D292,243 S \* 10/1987 O'Grady ..... D3/209
- D415,299 S \* 10/1999 Burbrink ..... D26/38
- D417,020 S \* 11/1999 Petruzzi ..... D26/38

- 6,168,288 B1 1/2001 St. Claire
- D440,676 S \* 4/2001 Petruzzi ..... D26/38
- 6,239,555 B1 5/2001 Rachwal
- 6,357,893 B1 3/2002 Belliveau
- 6,485,160 B1 11/2002 Sommers et al.
- D528,236 S \* 9/2006 Strom et al. .... D26/37
- 2002/0093818 A1 7/2002 Mele
- 2003/0117797 A1 6/2003 Sommers et al.
- 2003/0123254 A1 7/2003 Brass

\* cited by examiner

*Primary Examiner*—Ian Simmons

*Assistant Examiner*—Carissa C Fitts

(74) *Attorney, Agent, or Firm*—Collard & Roe, P.C.

(57) **CLAIM**

The ornamental design for a pocket lamp, as shown and described.

**DESCRIPTION**

FIG. 1 is a top view of a pocket lamp showing our new design;

FIG. 2 is a bottom view thereof;

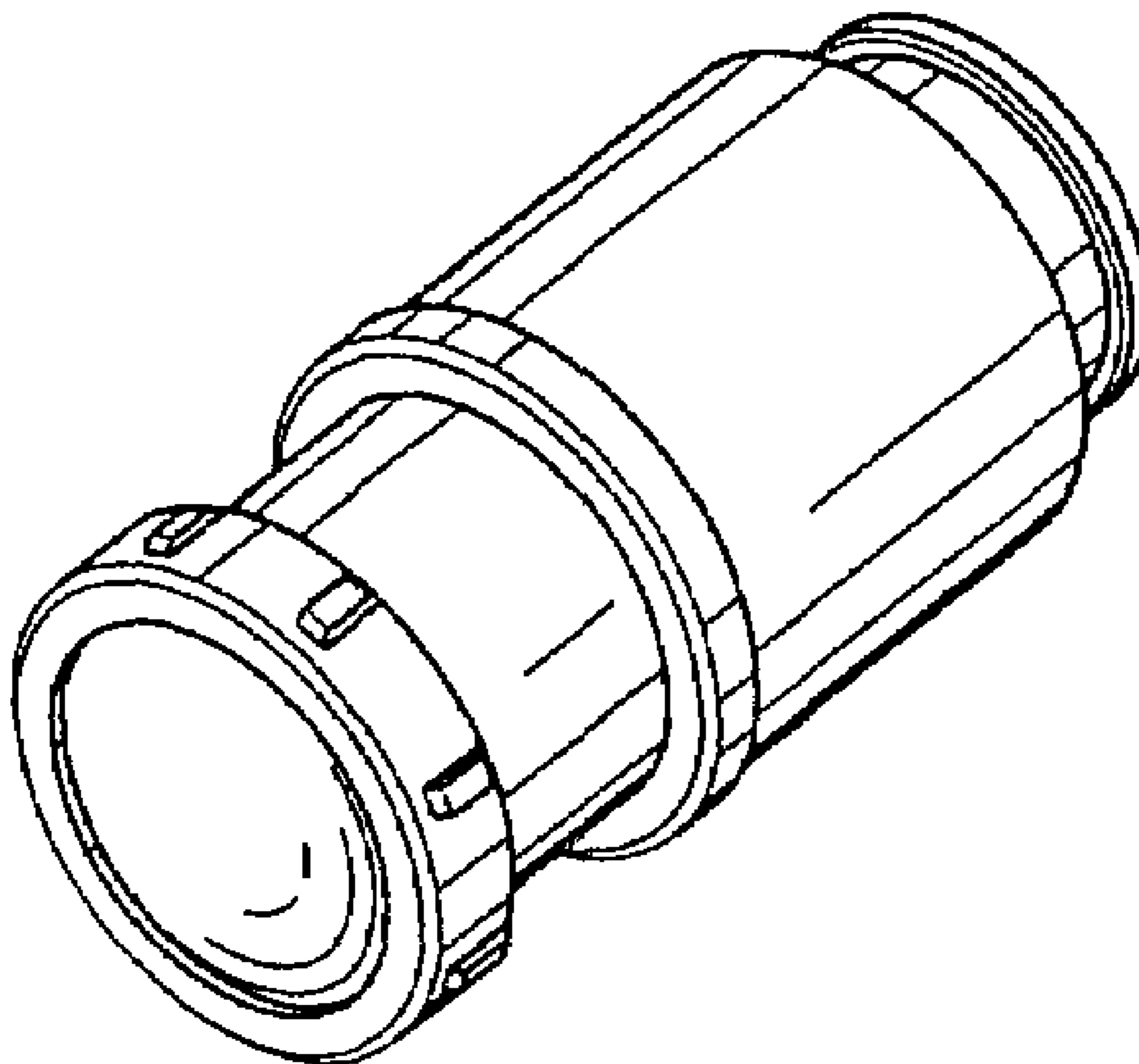
FIG. 3 is a side view thereof;

FIG. 4 is a top perspective view thereof; and,

FIG. 5 is a bottom perspective view thereof.

The bottom view of all embodiments which is not shown forms no part of the claimed design.

**1 Claim, 1 Drawing Sheet**



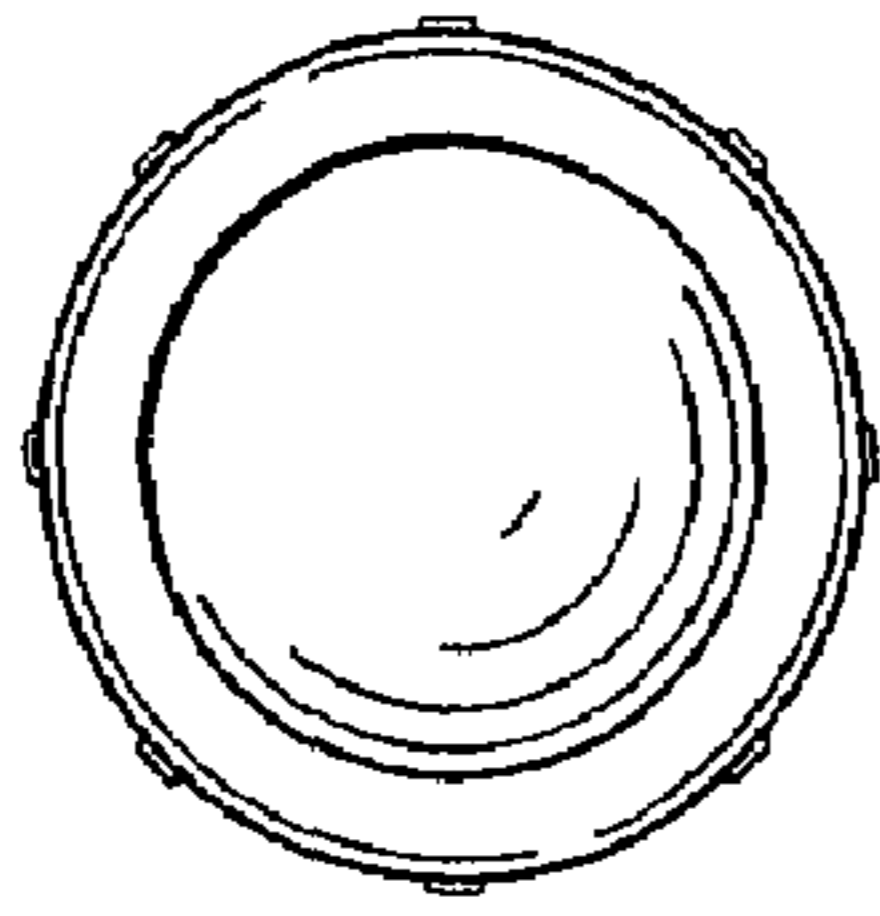


FIG. 1

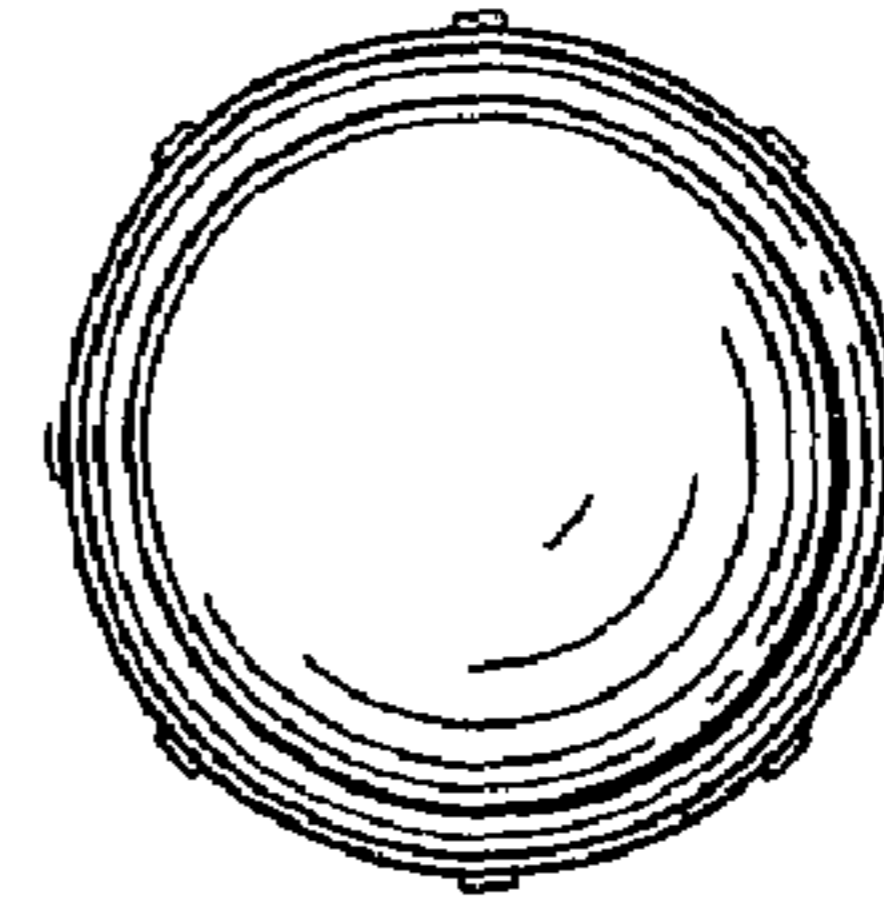


FIG. 2

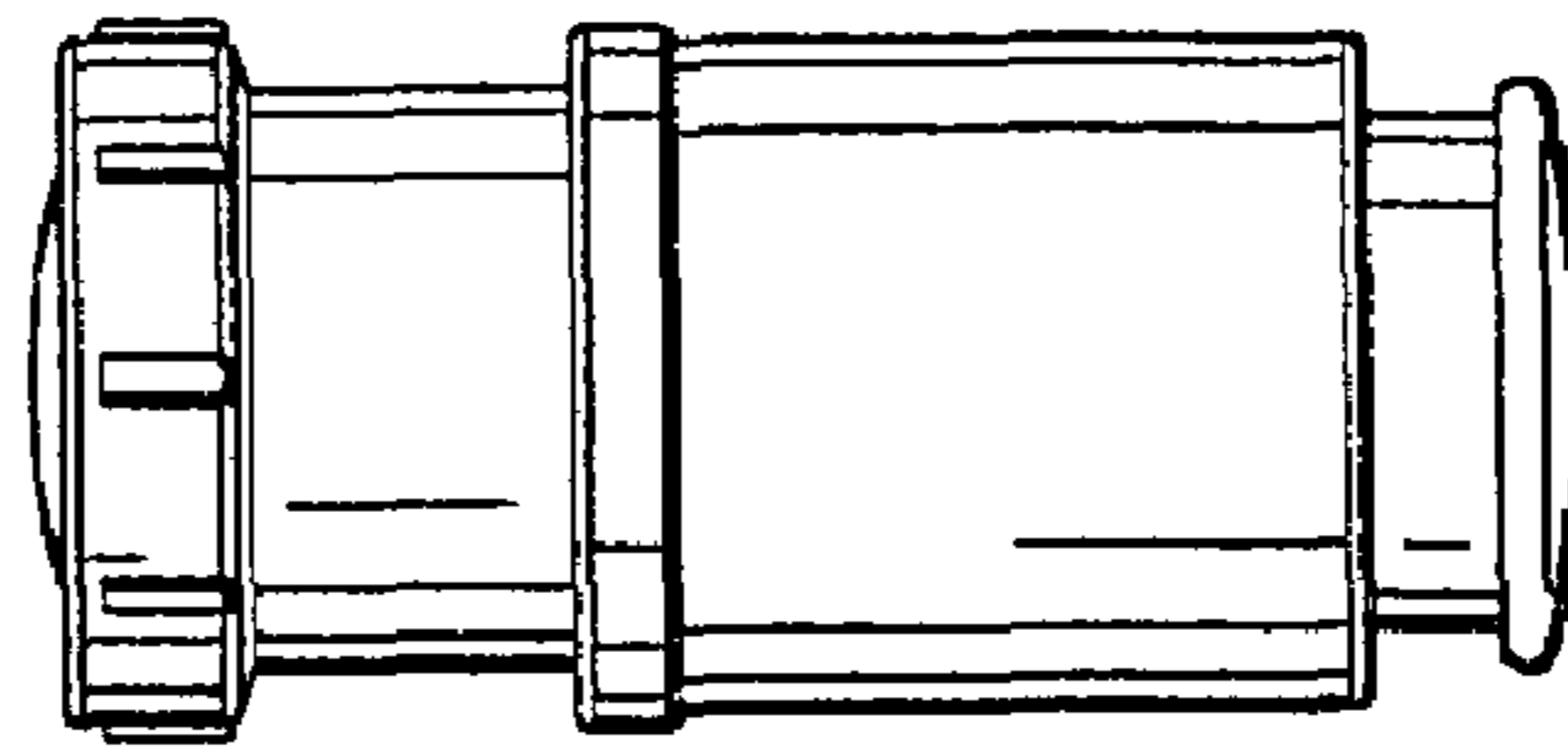


FIG. 3

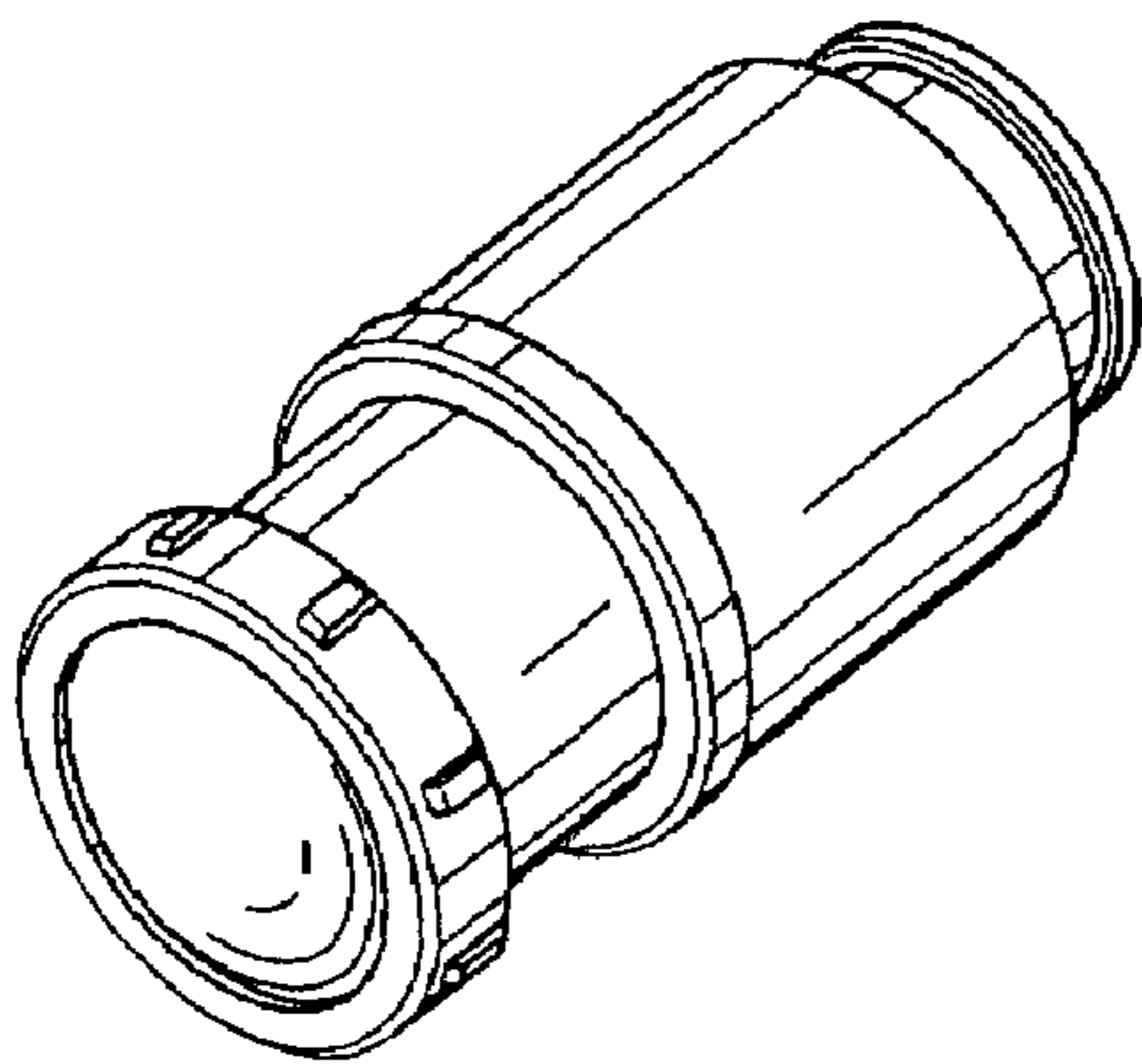


FIG. 4

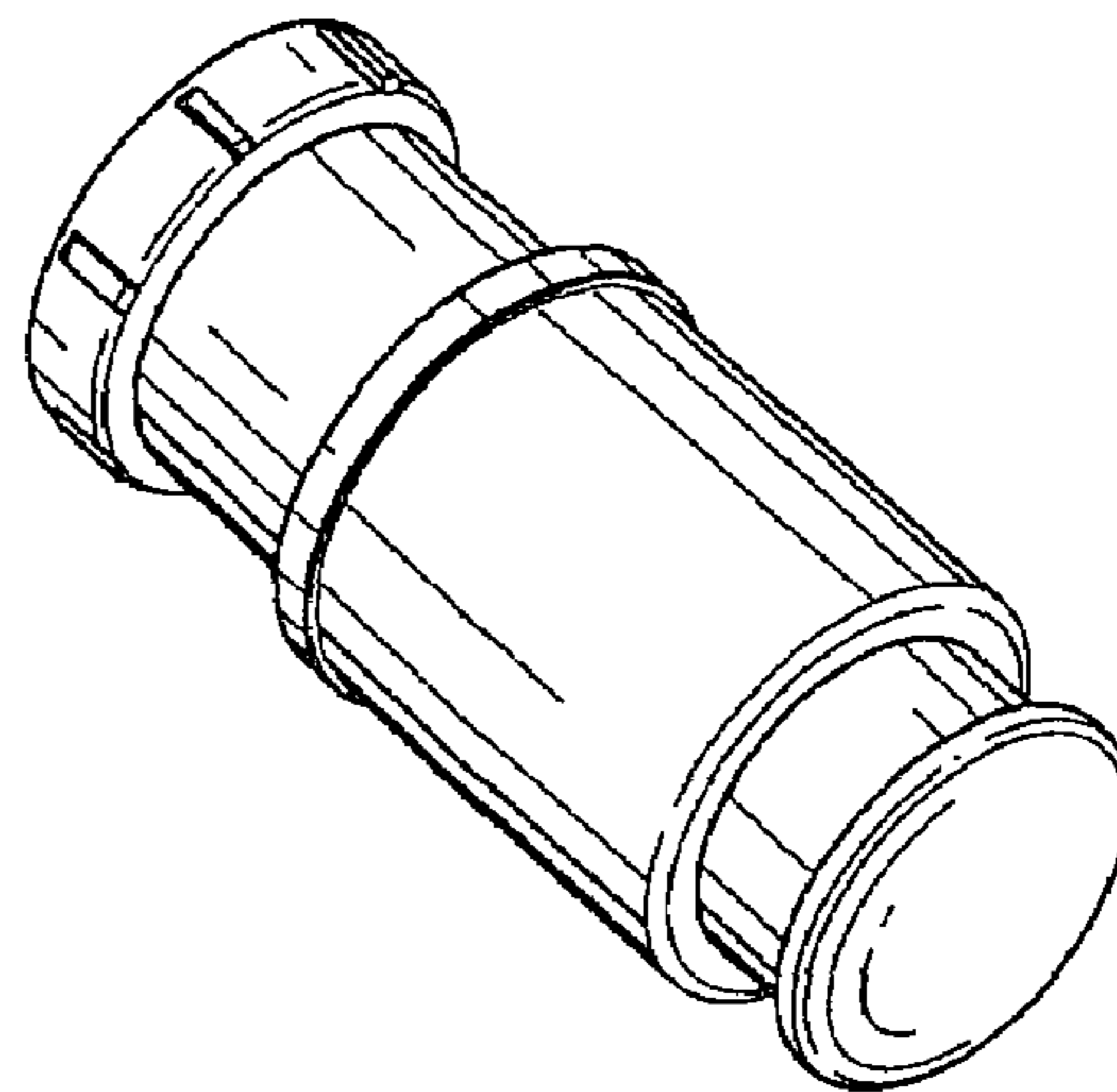


FIG. 5