



US00D574513S

(12) **United States Design Patent**
Vibiano

(10) **Patent No.:** **US D574,513 S**

(45) **Date of Patent:** **** Aug. 5, 2008**

- (54) **FLOOR/WALL FINISH MOLDING**
- (75) Inventor: **Flavia Athayde Vibiano**, São Paulo (BR)
- (73) Assignee: **Eucatex S/A Industria E Comércio**, São Paulo (BR)
- (**) Term: **14 Years**
- (21) Appl. No.: **29/279,791**
- (22) Filed: **May 8, 2007**
- (51) **LOC (8) Cl.** **25-02**
- (52) **U.S. Cl.** **D25/55; D25/136; D25/164**
- (58) **Field of Classification Search** D25/136, D25/164, 55; 52/716.1, 716.8, 718.01, 718.04, 52/717.06, 718.05, 718.06, 318, 290, 287.1, 52/311.1, 311.2, 311.3, 314, 3, 4, 5, 182, 52/183, 188, 179, 181, 469
See application file for complete search history.

- D468,445 S * 1/2003 Cormier D25/55
- 6,550,192 B1 * 4/2003 Nelson et al. 52/177
- 6,647,680 B2 * 11/2003 Daly et al. 52/287.1
- D499,819 S * 12/2004 Glatz D25/164

* cited by examiner

Primary Examiner—Doris Clark

(74) *Attorney, Agent, or Firm*—McCormick, Paulding & Huber LLP

(57) **CLAIM**

The ornamental design for a floor/wall finish molding, as shown and described.

DESCRIPTION

FIG. 1 is a top, front, left-hand side perspective view of a floor/wall finish molding, illustrating a new, original and ornamental design.

FIG. 2 is a bottom, front, right-hand side perspective view of a floor/wall finish molding, illustrating the new, original and ornamental design.

FIG. 3 is a left-hand side view of a floor/wall finish molding, illustrating the new, original and ornamental design, the right-hand side view being a mirror image thereof.

FIG. 4 is a top view of a floor/wall finish molding, illustrating the new, original and ornamental design.

FIG. 5 is a front view of a floor/wall finish molding, illustrating the new, original and ornamental design.

FIG. 6 is a bottom view of a floor/wall finish molding, illustrating the new, original and ornamental design; and,

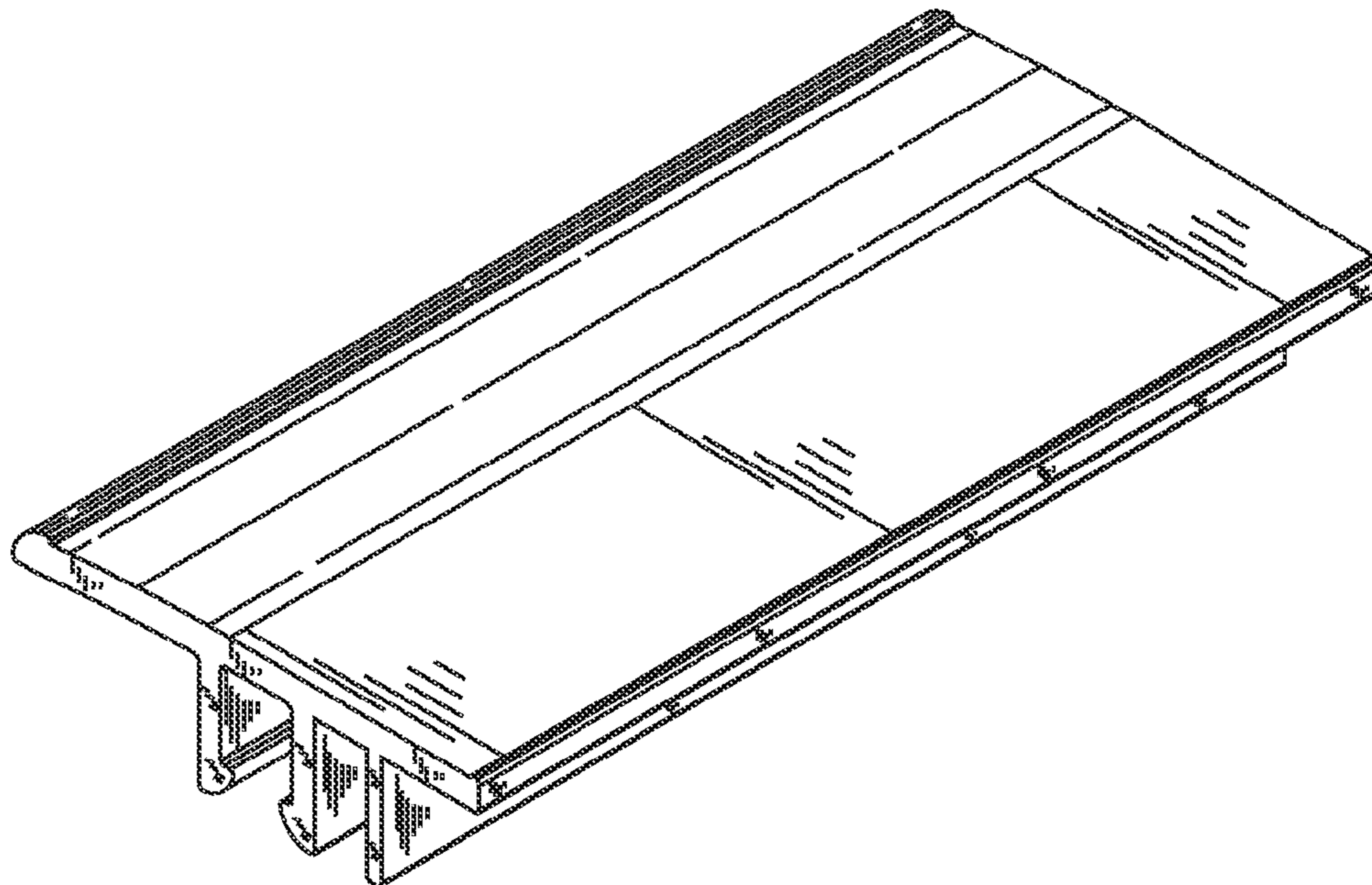
FIG. 7 is a rear view of a floor/wall finish molding, illustrating the new, original and ornamental design.

(56) **References Cited**

U.S. PATENT DOCUMENTS

- 4,893,449 A * 1/1990 Kemper 52/464
- 4,905,431 A * 3/1990 Davis 52/179
- D363,788 S * 10/1995 Caley D25/119
- D364,234 S * 11/1995 Caley D25/119
- 5,645,912 A * 7/1997 Nelson et al. 428/67
- 5,678,380 A * 10/1997 Azzar 52/716.4
- 5,706,623 A * 1/1998 Brown 52/718.04
- D418,610 S * 1/2000 Dyer et al. D25/55
- 6,032,426 A * 3/2000 Tamlyn 52/483.1
- 6,047,506 A * 4/2000 Kemper 52/179
- D429,009 S * 8/2000 Ginzler D25/136
- D456,088 S * 4/2002 Nelson et al. D25/136
- D463,581 S * 9/2002 Mann D25/164

1 Claim, 2 Drawing Sheets



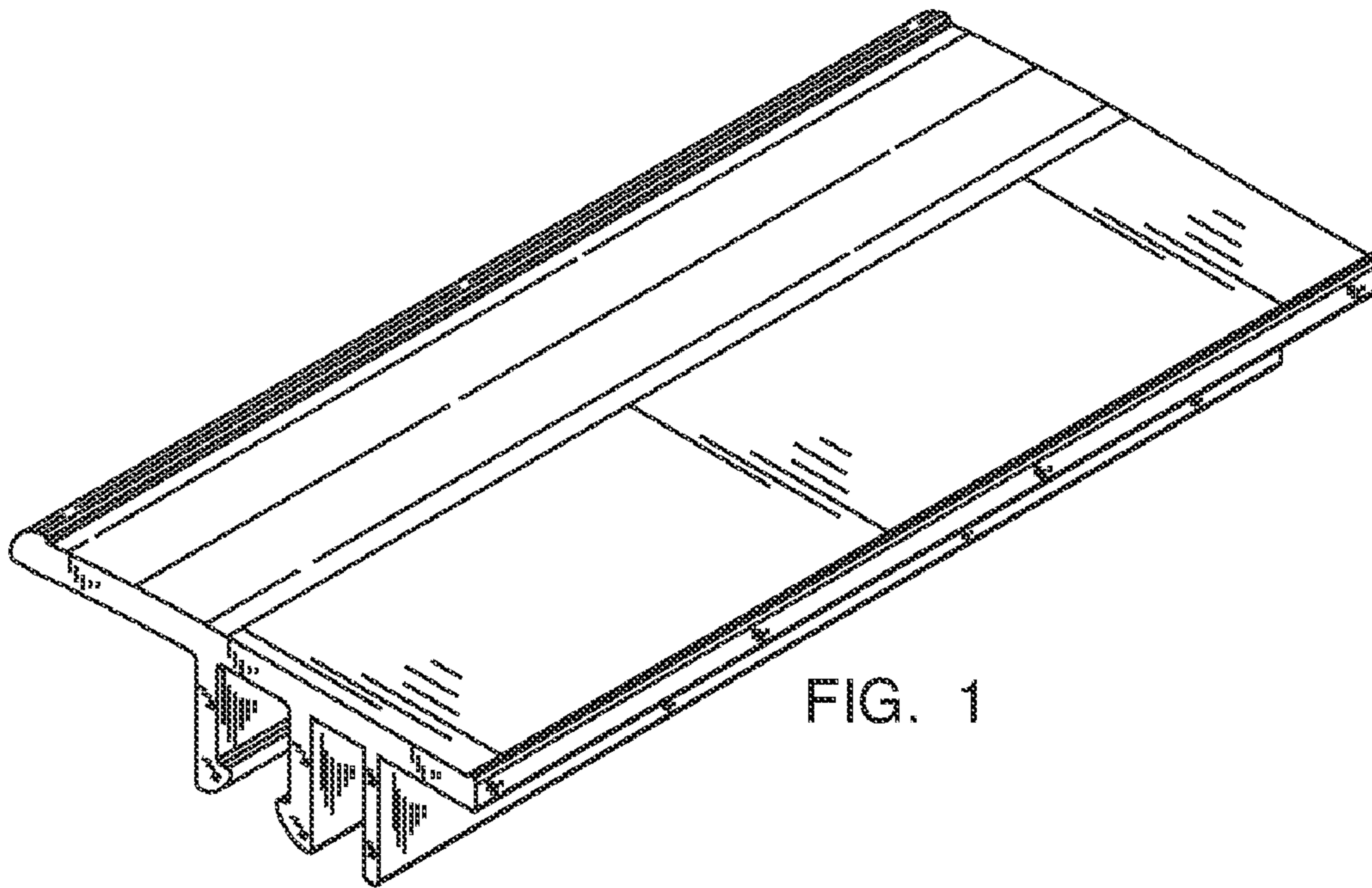


FIG. 1

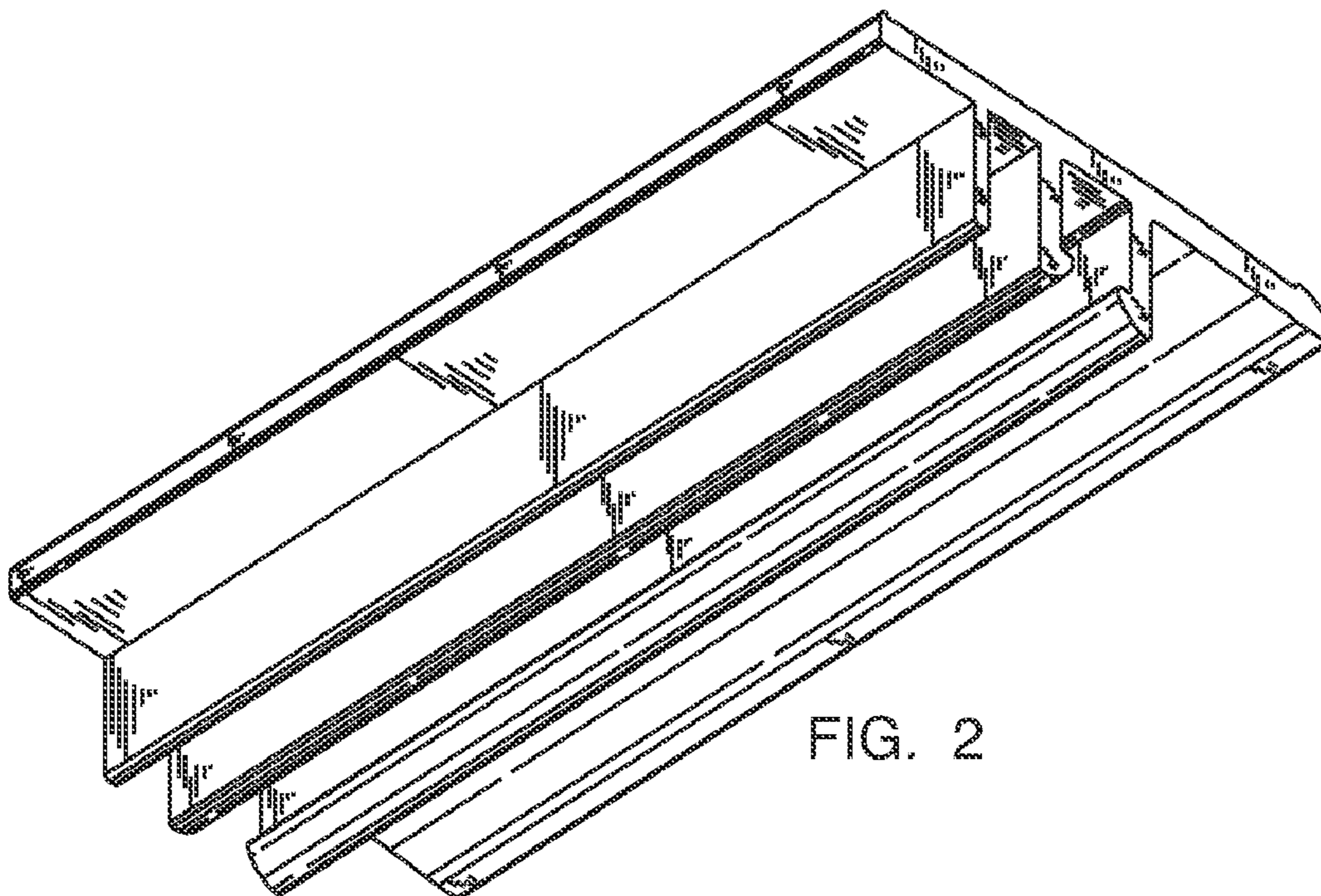


FIG. 2

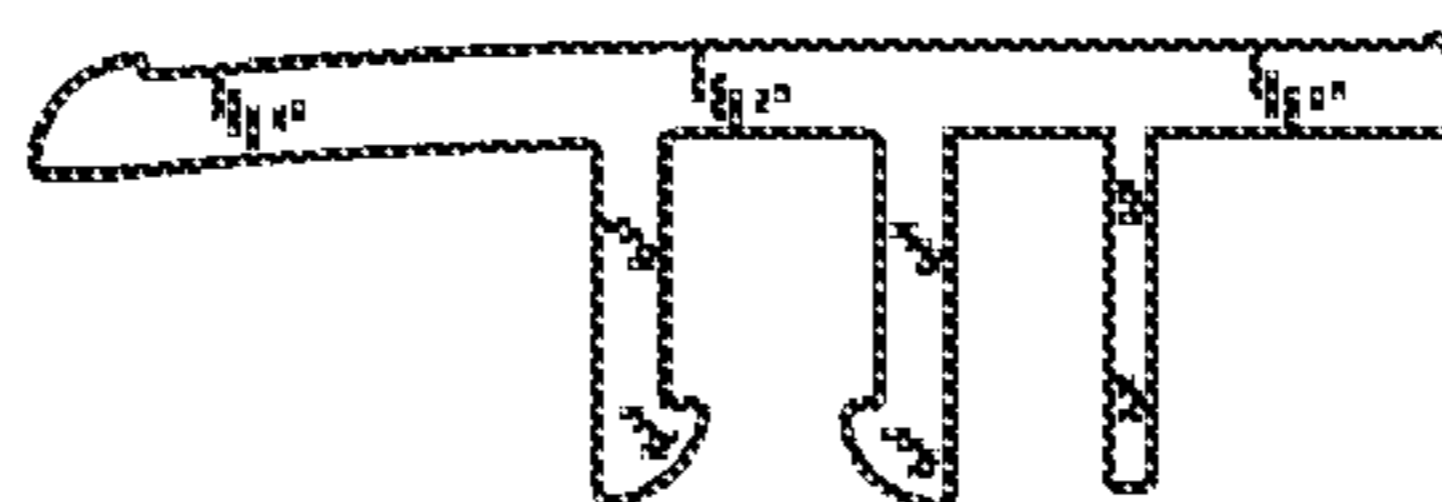


FIG. 3

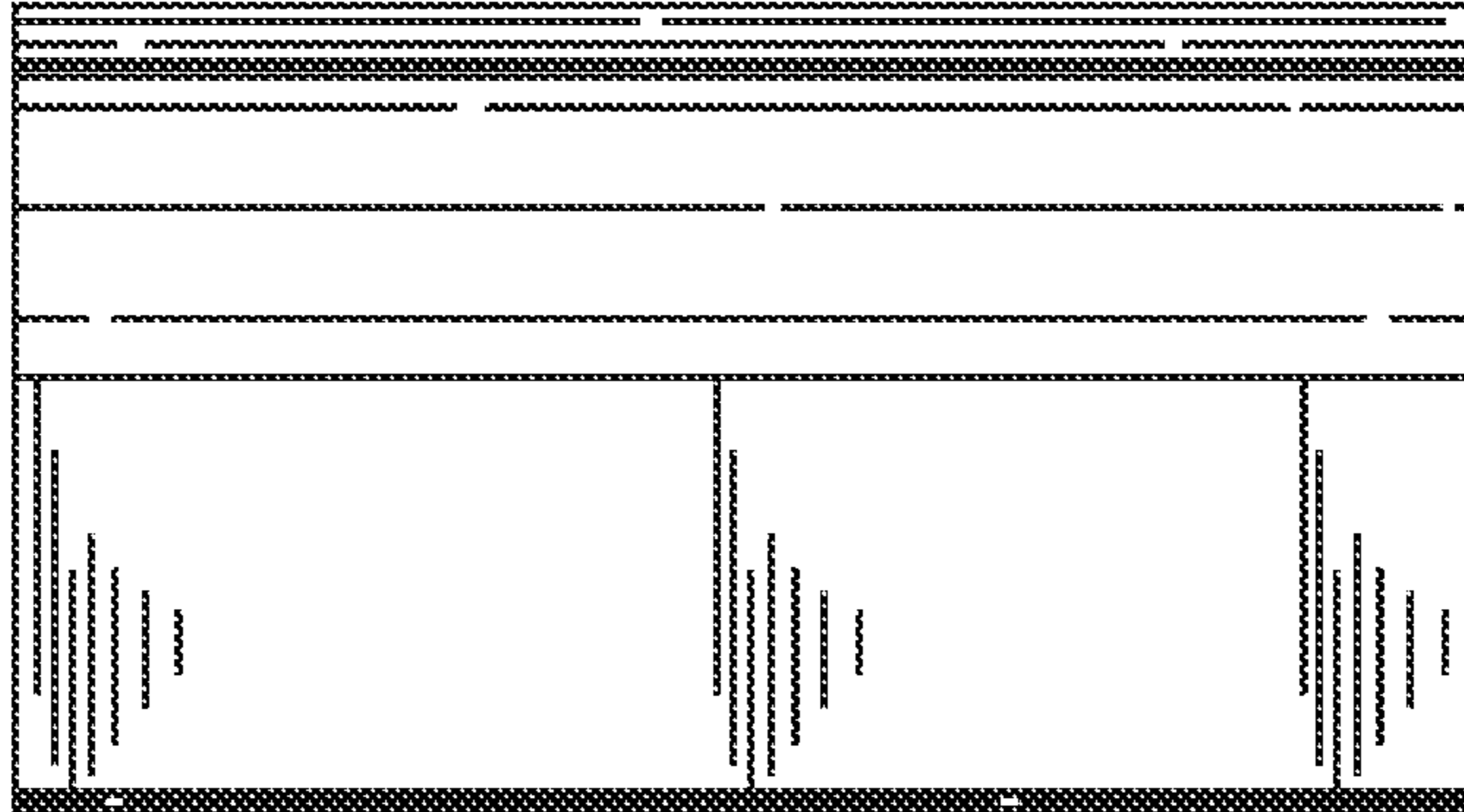


FIG. 4

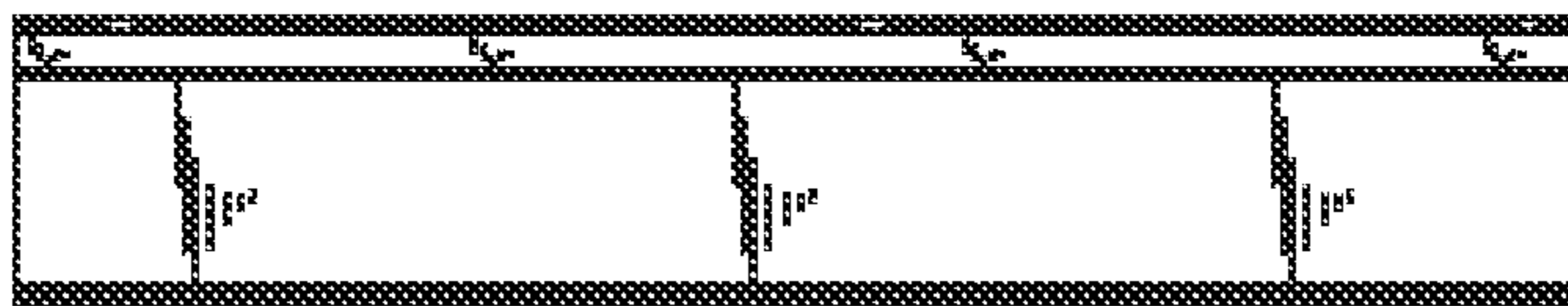


FIG. 5

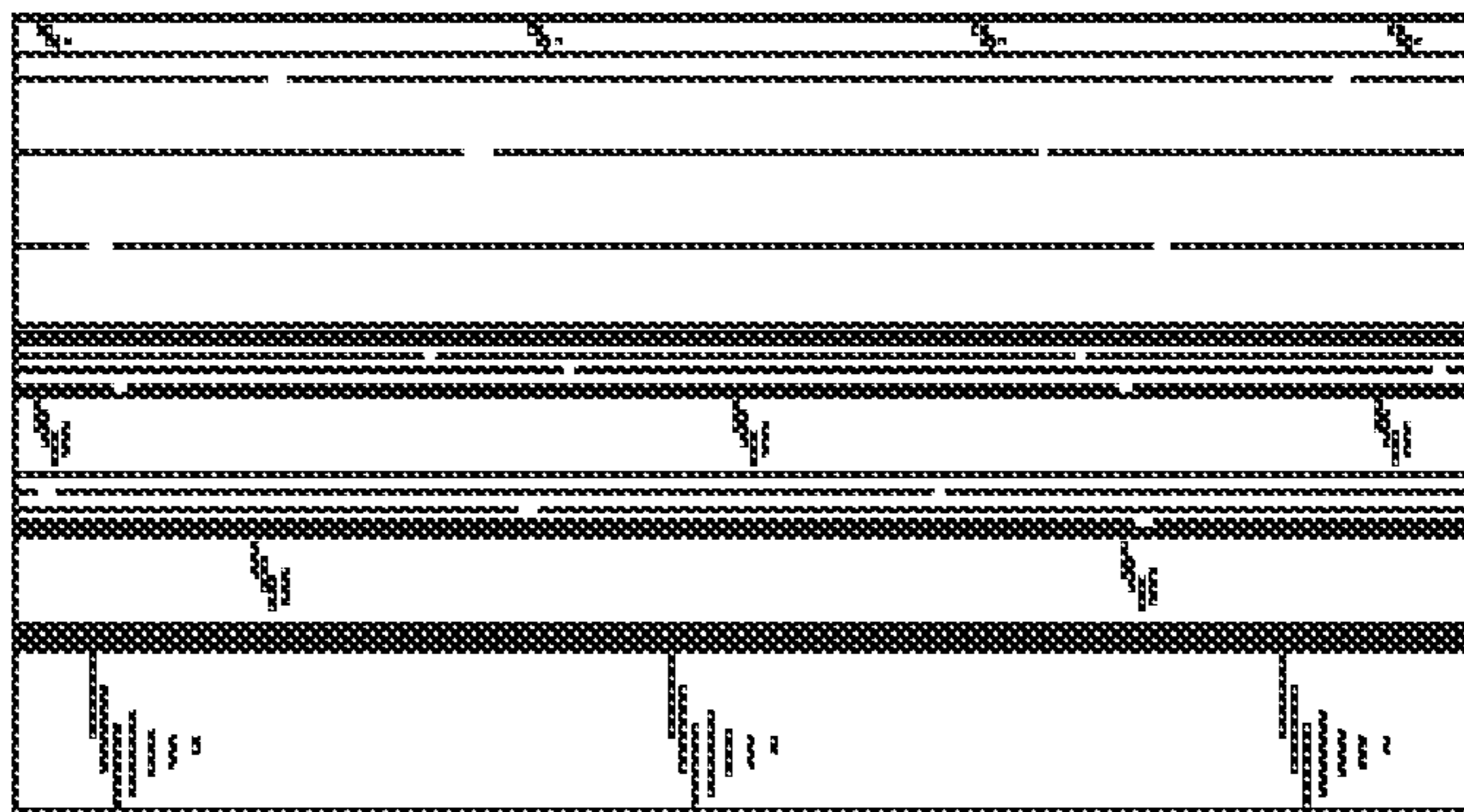


FIG. 6

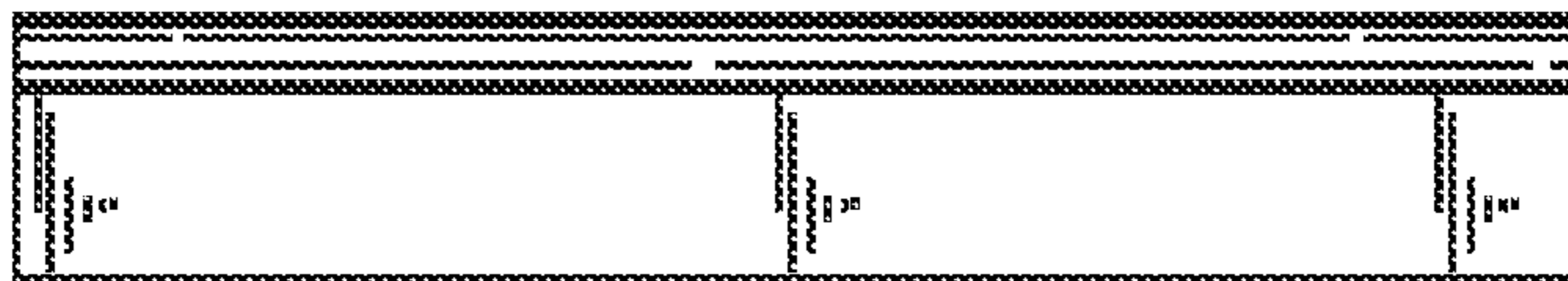


FIG. 7