



US00D574510S

(12) **United States Design Patent**
Riddell et al.

(10) **Patent No.:** **US D574,510 S**

(45) **Date of Patent:** **** Aug. 5, 2008**

(54) **SAFETY BARRIER**

(75) Inventors: **Mark N. Riddell**, Bracknell (GB);
Leslie J. Wall, Bracknell (GB); **Peter J. Wilkinson**, Brierley Hill (GB); **John L. Addy**, Linlithgow (GB); **Mark G. Reynolds**, Cannock (GB)

(73) Assignee: **Hill & Smith Holdings PLC**, Bilston (GB)

(**) Term: **14 Years**

(21) Appl. No.: **29/280,213**

(22) Filed: **May 21, 2007**

(30) **Foreign Application Priority Data**

Nov. 21, 2006 (EM) 000624929-0002

(51) **LOC (8) Cl.** **25-02**

(52) **U.S. Cl.** **D25/38**

(58) **Field of Classification Search** D25/38,
D25/58, 50; 404/6

See application file for complete search history.

(56) **References Cited**

U.S. PATENT DOCUMENTS

4,806,044 A 2/1989 Duckett

6,200,063 B1 * 3/2001 Fritzingler 404/6
D552,250 S * 10/2007 Christensen et al. D25/38
2004/0057791 A1 * 3/2004 Bruyere et al. 404/6

OTHER PUBLICATIONS

Asset International Vehicle Restraint Systems, "VarioGuard Temporary/Permanent Safety Barrier", 2007, 6 Pages, Bilston, West Midlands, United Kingdom.

* cited by examiner

Primary Examiner—Doris Clark

(74) *Attorney, Agent, or Firm*—Tomlinson & O'Connell, PC

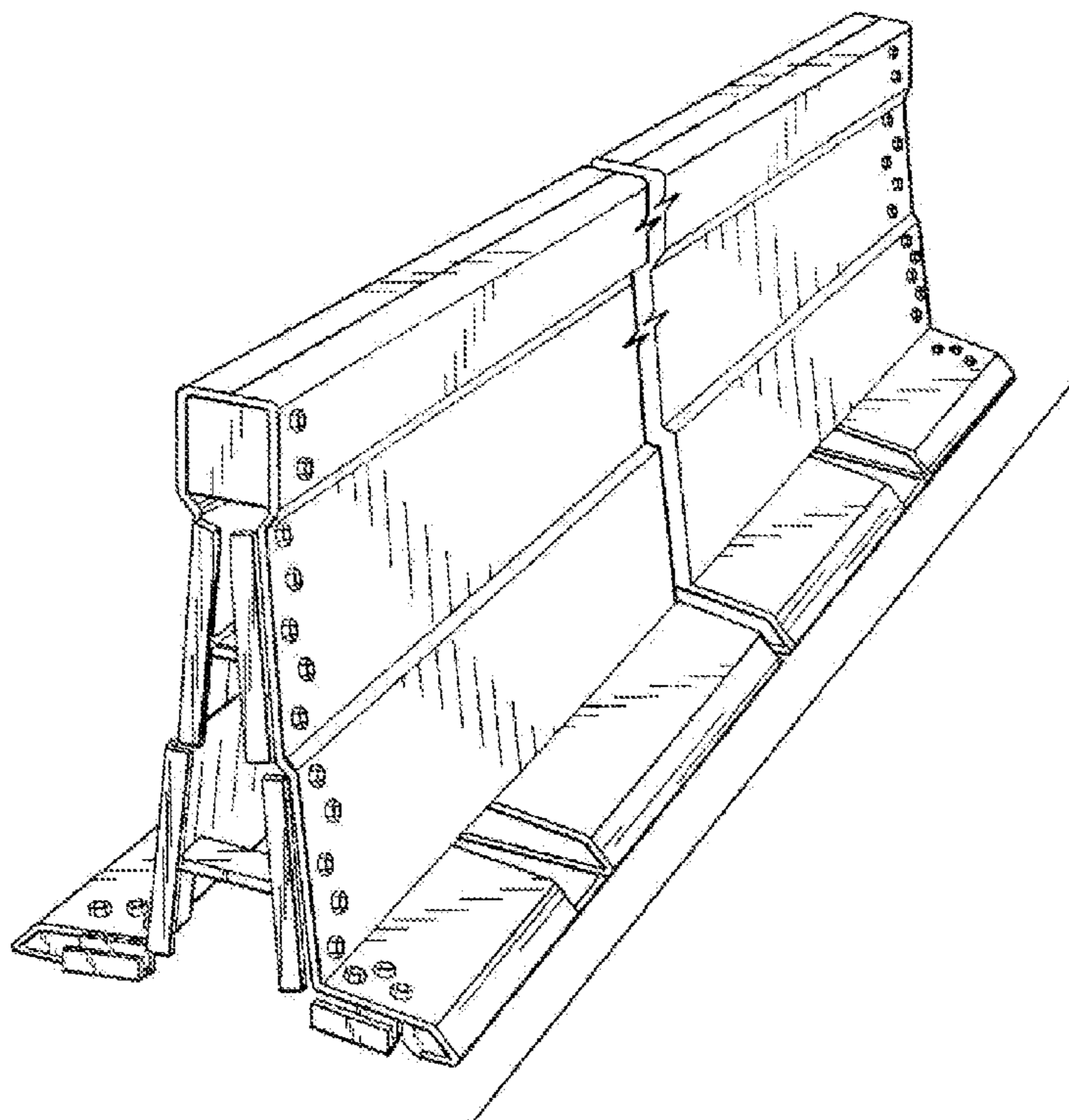
(57) **CLAIM**

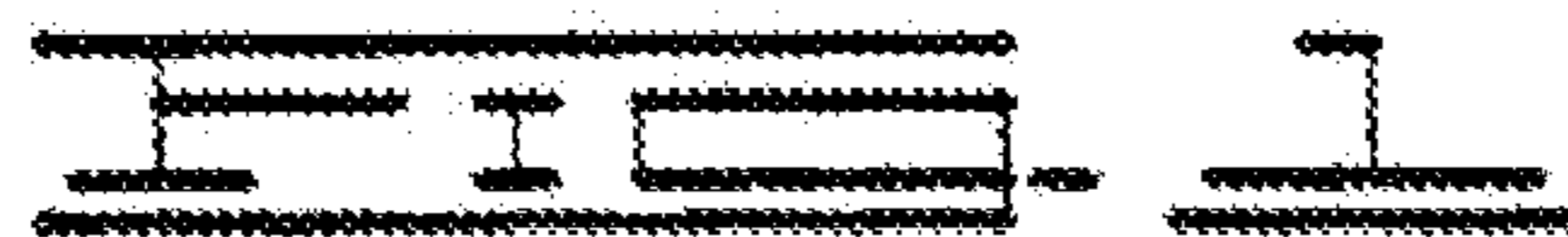
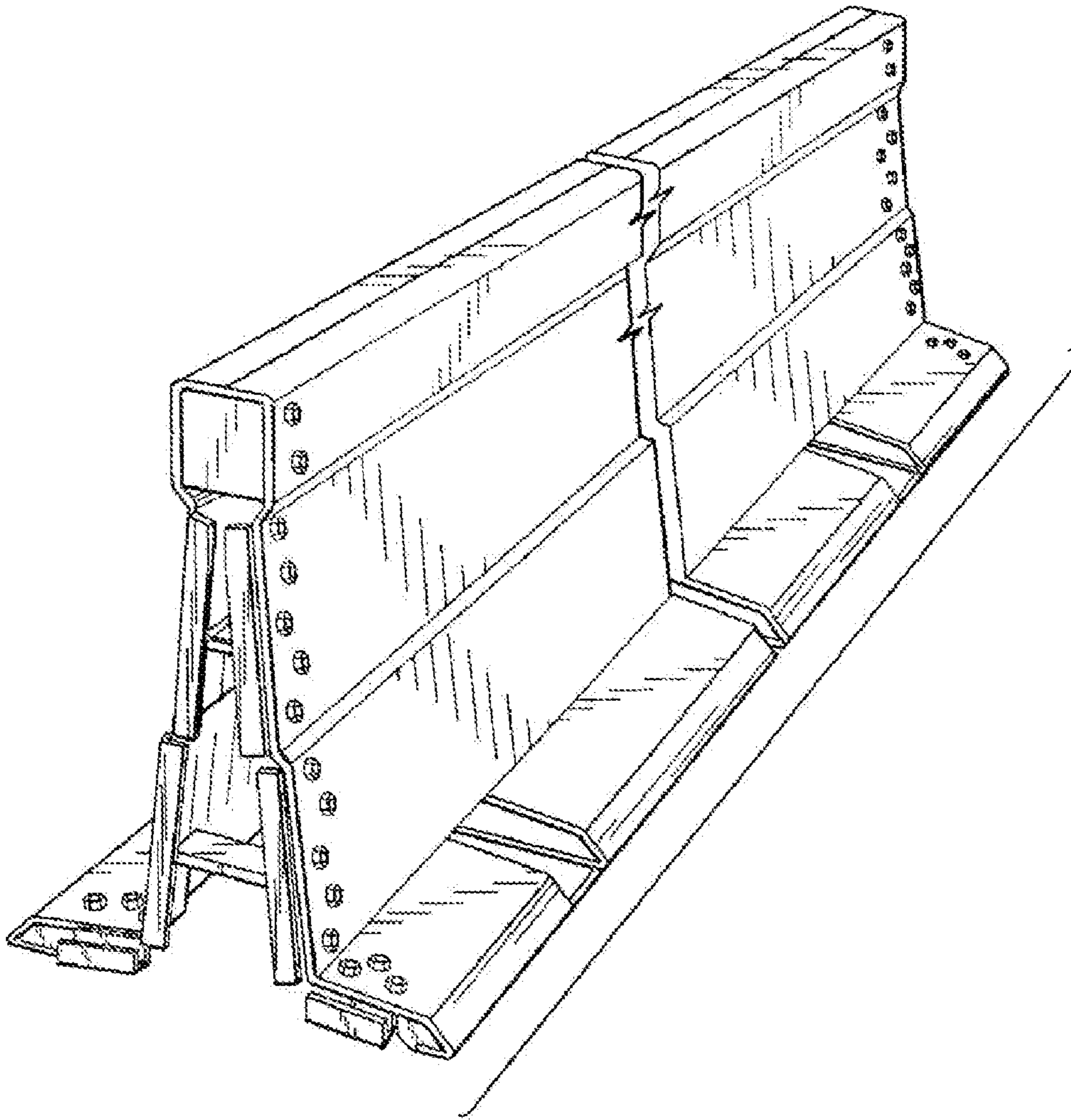
I claim the ornamental design for a safety barrier, as shown and described.

DESCRIPTION

FIG. 1 is a left side perspective showing our new design; FIG. 2 is a right side perspective view thereof; FIG. 3 is an end view thereof; and, FIG. 4 is a bottom view thereof.

1 Claim, 4 Drawing Sheets





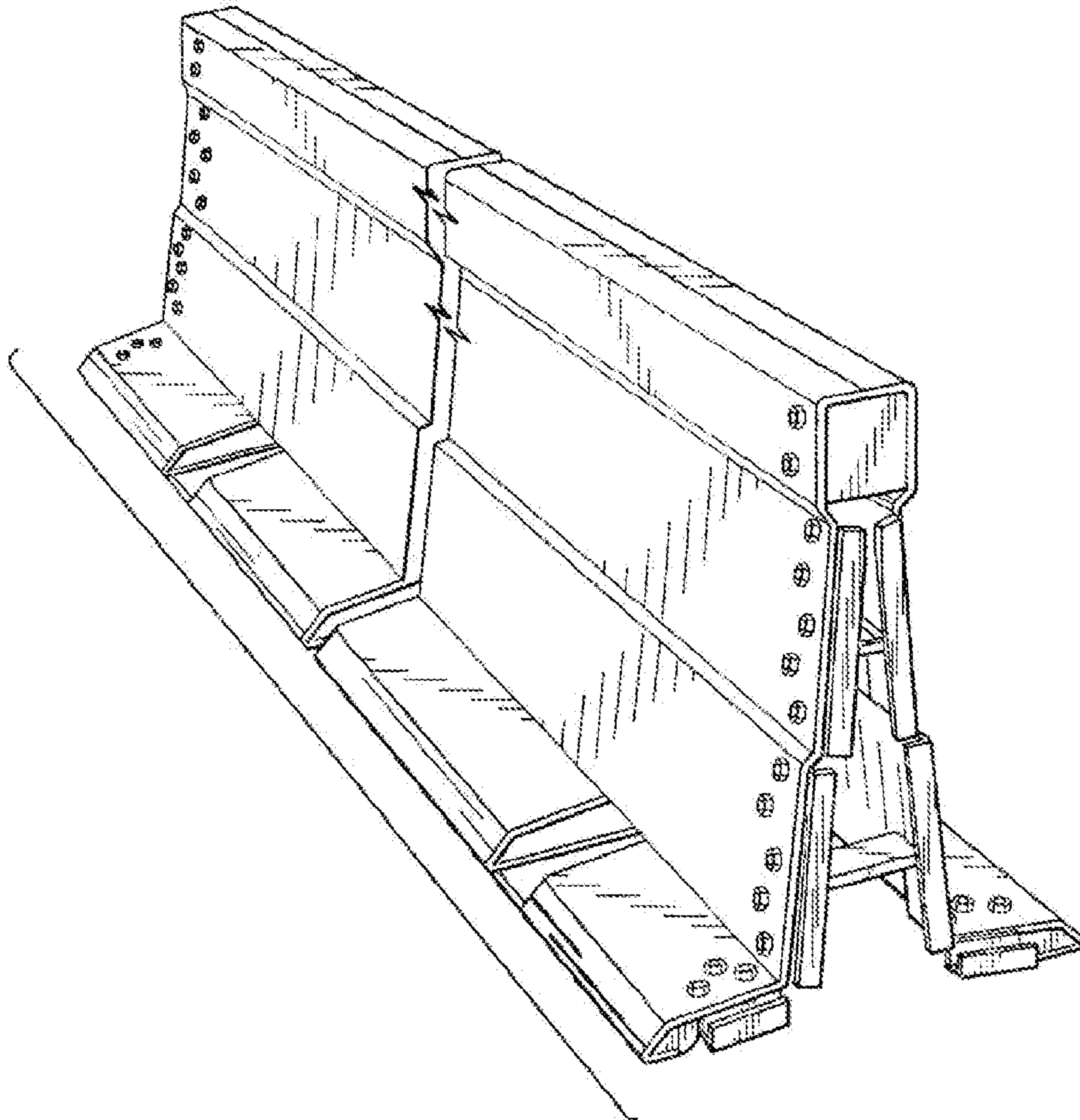


FIG. 3

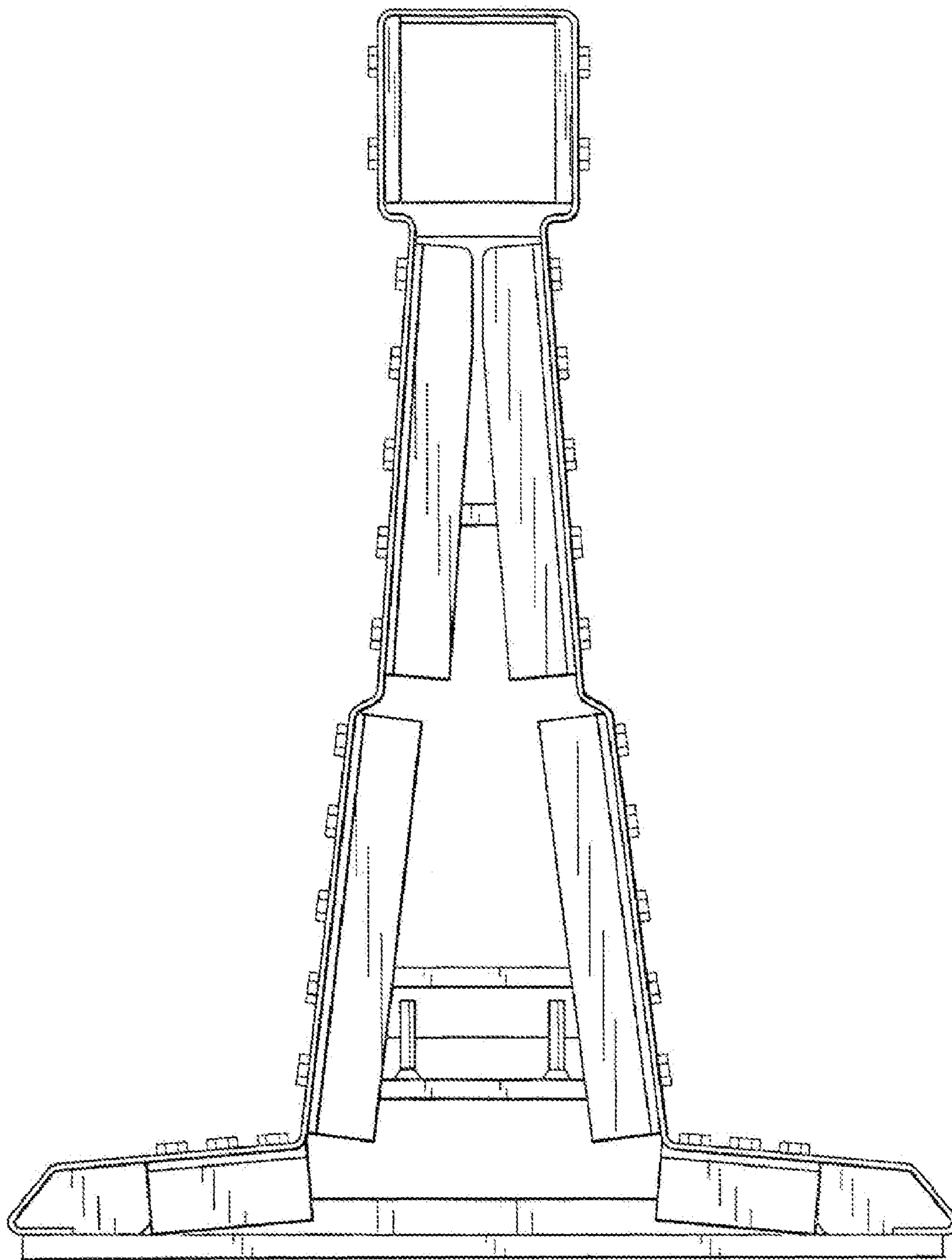


FIG. 3

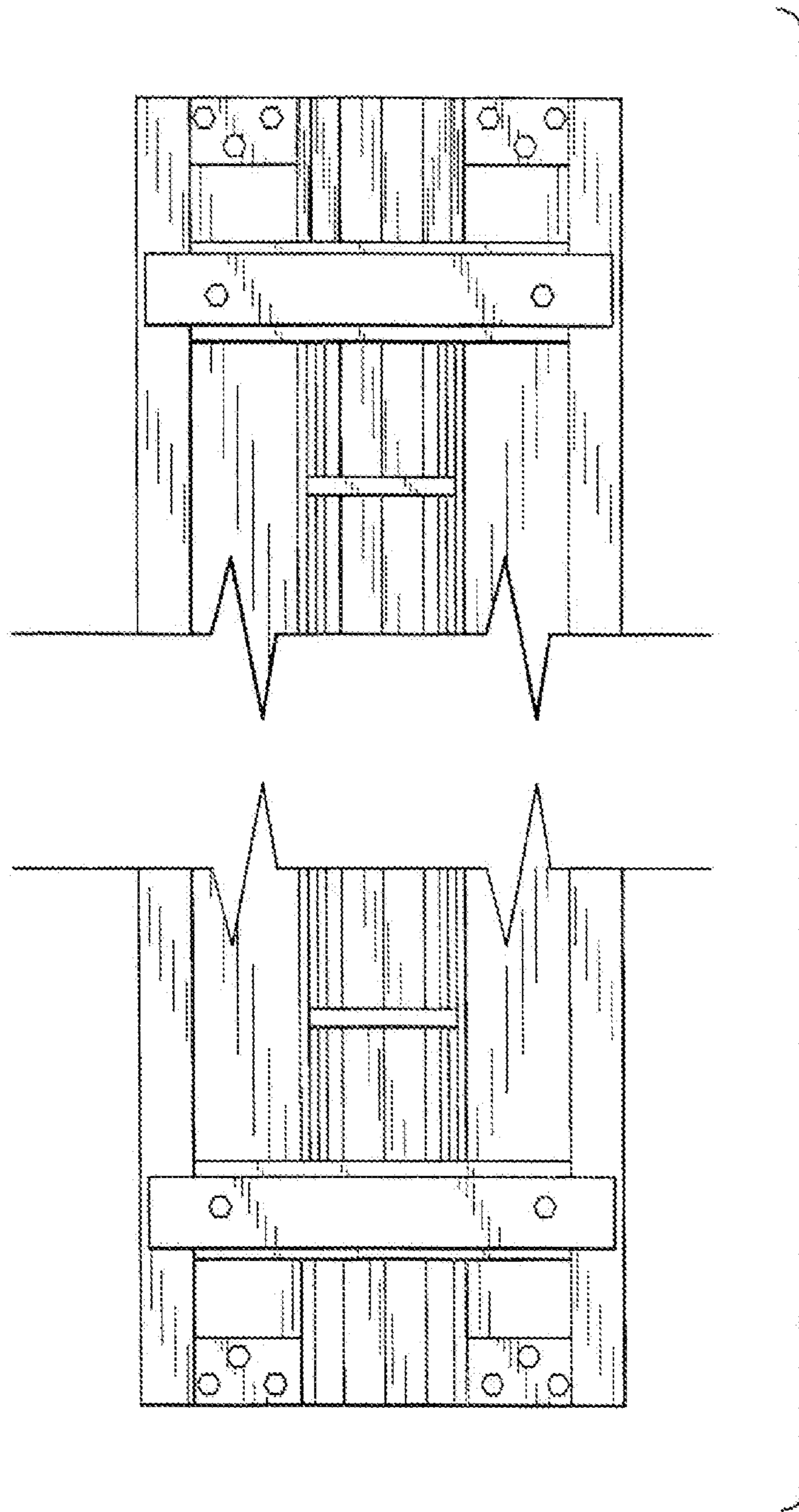


FIG. 4