



US00D574509S

(12) **United States Design Patent**
Koch

(10) **Patent No.:** **US D574,509 S**

(45) **Date of Patent:** **** Aug. 5, 2008**

(54) **RAIL PROFILE**

5,480,126 A * 1/1996 Teasdale 256/19
D497,432 S * 10/2004 Ohanesian D25/38

(75) Inventor: **Timo Koch**, Gummersbach (DE)

* cited by examiner

(73) Assignee: **eepos GmbH**, Wiehl (DE)

Primary Examiner—Doris Clark

(**) Term: **14 Years**

(74) *Attorney, Agent, or Firm*—Grossman Tucker Perreault & Pflieger, PLLC

(21) Appl. No.: **29/279,055**

(57) **CLAIM**

(22) Filed: **Apr. 18, 2007**

The original design for a rail profile, as shown and described.

(51) **LOC (8) Cl.** **25-02**

(52) **U.S. Cl.** **D25/38**

(58) **Field of Classification Search** D25/38;
256/19, 22, 65.01, 65.14, 65.11, 65.02, 59,
256/65.15, 65.16

See application file for complete search history.

DESCRIPTION

FIG. 1 is a front view of the present invention;

FIG. 2 is a back view thereof;

FIG. 3 is a side view thereof;

FIG. 4 is a top view thereof; and,

FIG. 5 is a bottom view thereof.

(56) **References Cited**

U.S. PATENT DOCUMENTS

3,918,686 A * 11/1975 Knott et al. 256/59

1 Claim, 5 Drawing Sheets

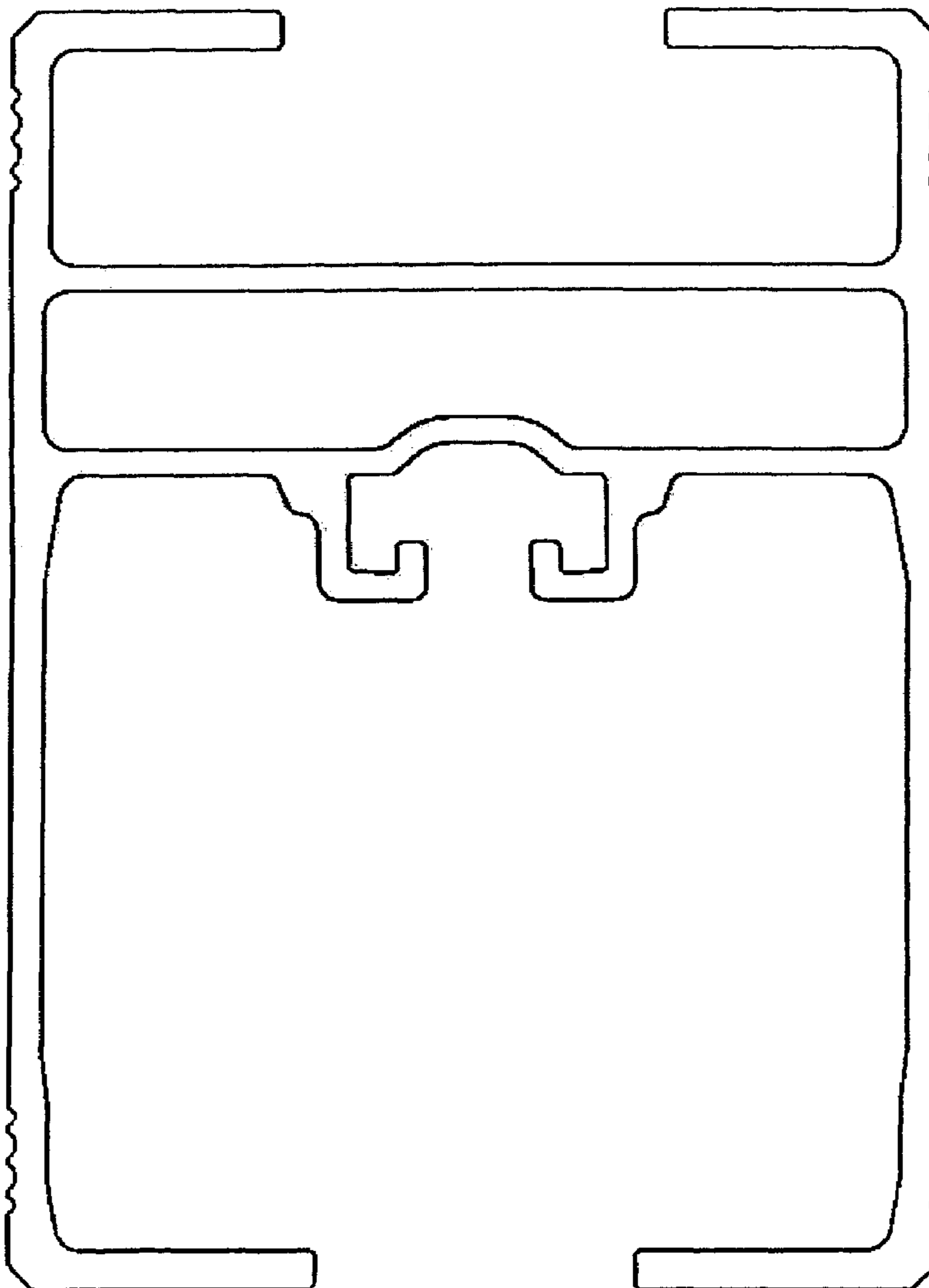


Fig. 1

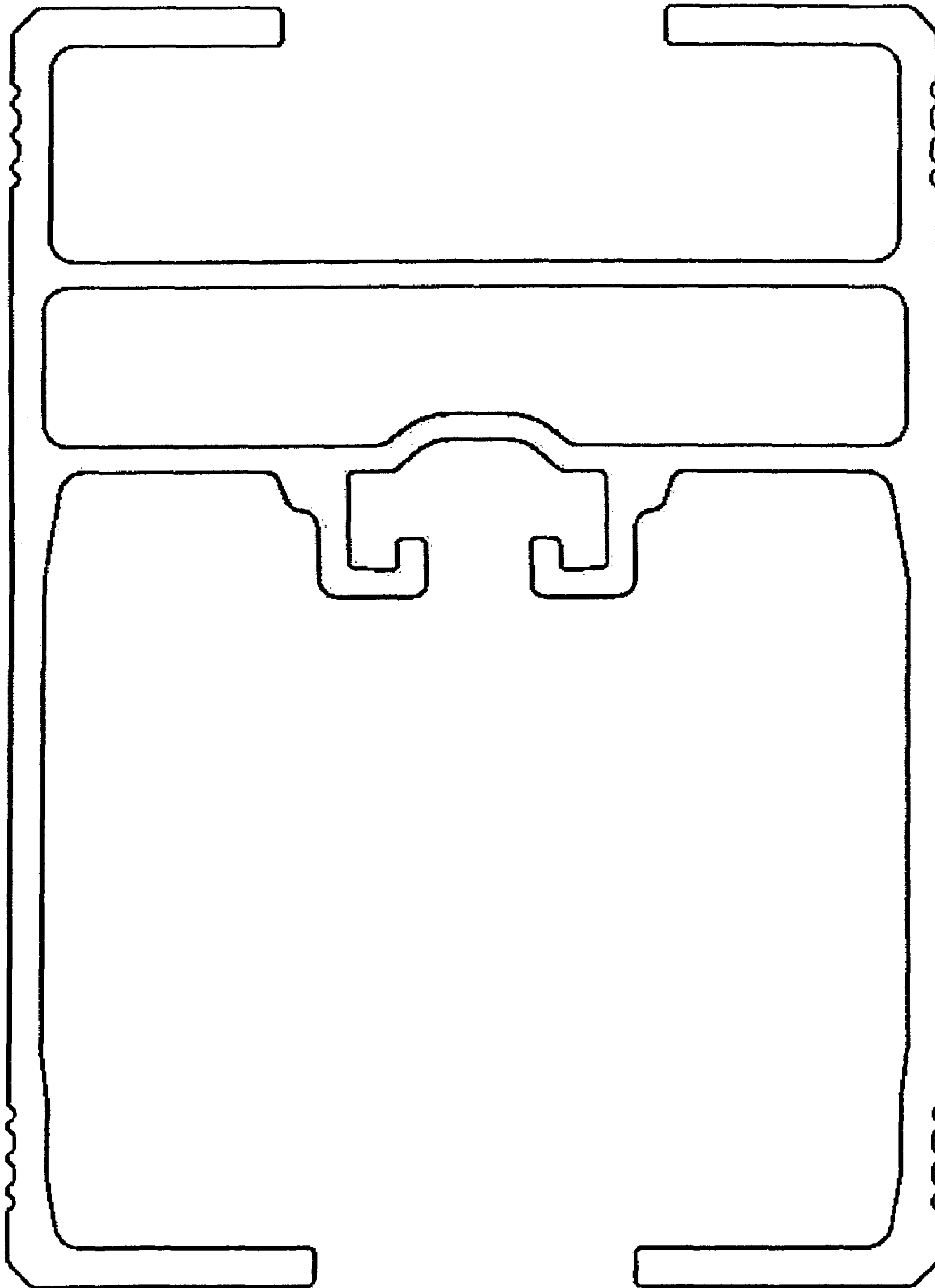
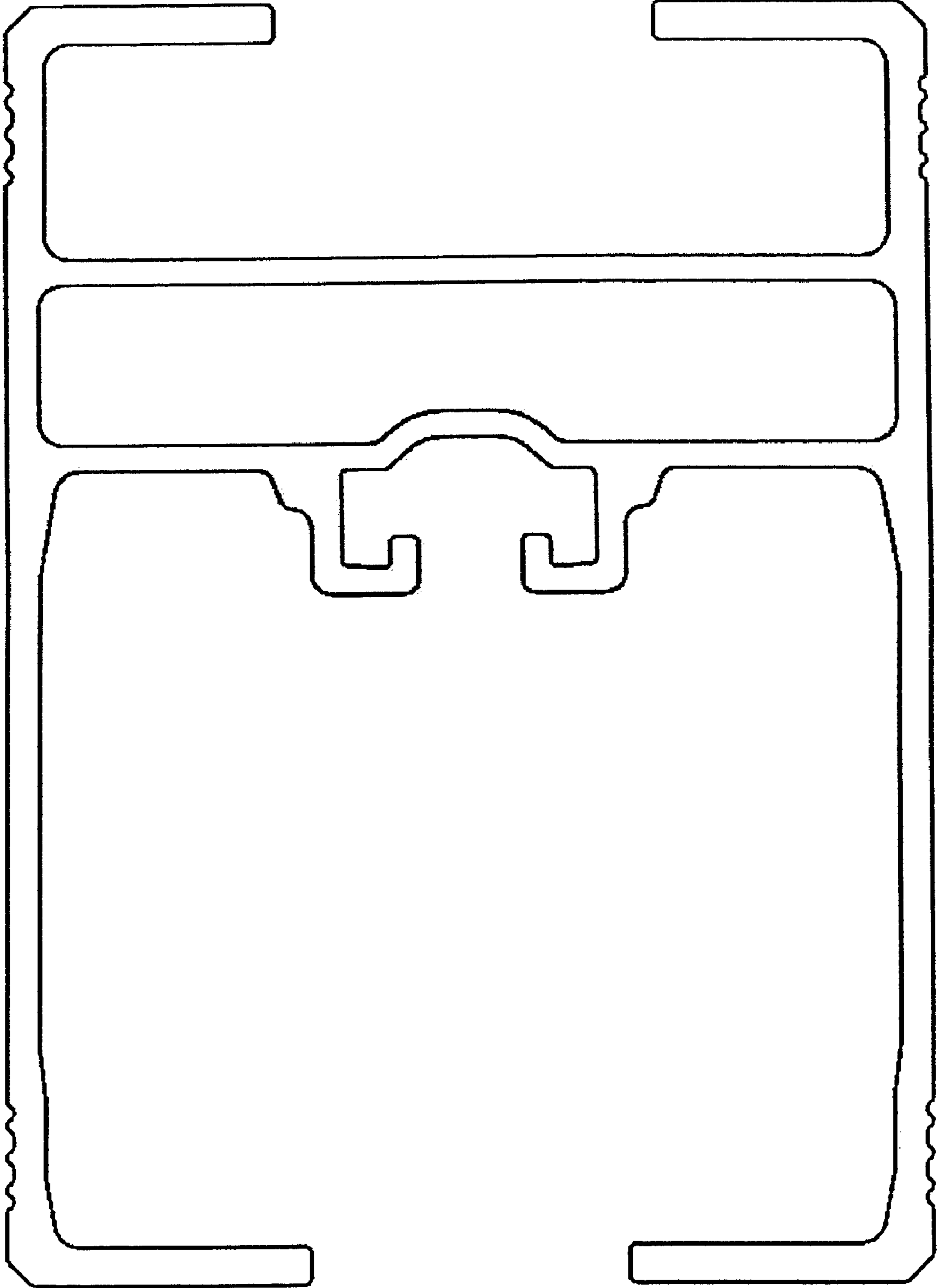


Fig. 2



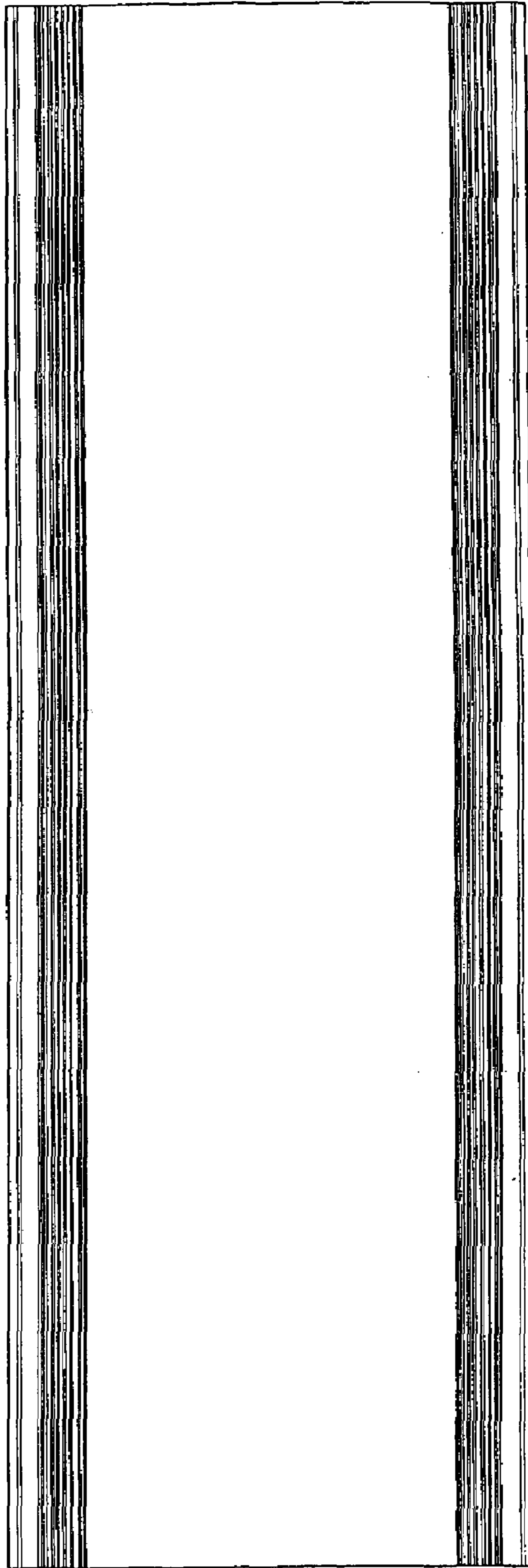


Fig. 3

Fig. 4

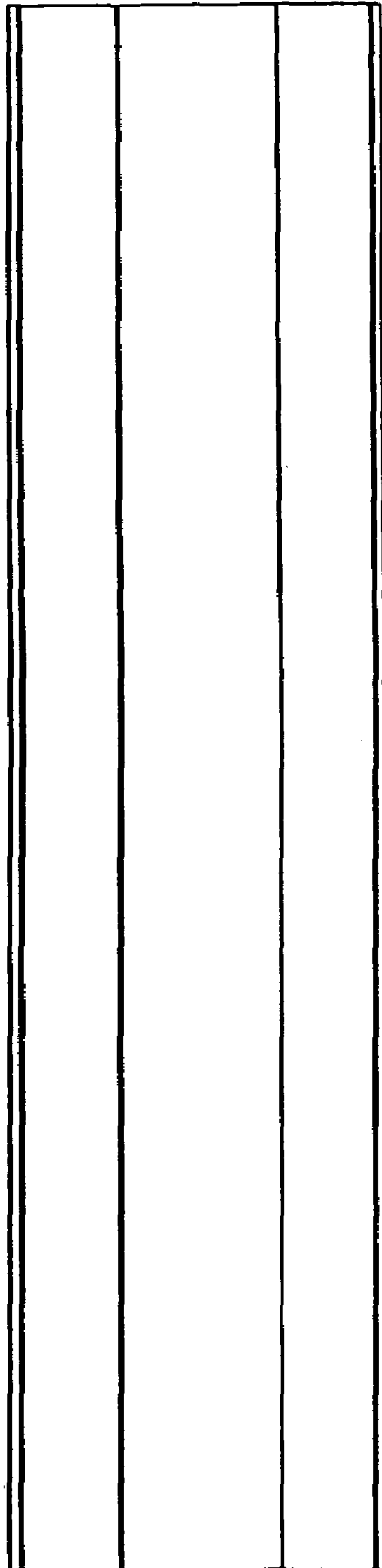


Fig. 5

