



US00D574501S

(12) **United States Design Patent**
Holtsnider et al.

(10) **Patent No.:** **US D574,501 S**
(45) **Date of Patent:** **** Aug. 5, 2008**

- (54) **FIXTURE FOR A POOL OR SPA**
- (75) Inventors: **Michael D. Holtsnider**, Moorpark, CA (US); **Raymundo Colin**, Simi Valley, CA (US)
- (73) Assignee: **B & S Plastics, Inc.**, Oxnard, CA (US)
- (**) Term: **14 Years**
- (21) Appl. No.: **29/288,890**
- (22) Filed: **Jun. 25, 2007**
- (51) **LOC (8) Cl.** **22-01**
- (52) **U.S. Cl.** **D24/201**
- (58) **Field of Classification Search** D24/201, D24/204, 205; D23/213, 277; 4/451.1-451.6, 4/547, 578.1, 579; 239/261, 587.1, 587.5
See application file for complete search history.

5,657,496 A	8/1997	Corb et al.	4/541.6
5,742,953 A	4/1998	Loizeaux	4/541.6
5,810,257 A	9/1998	Ton	4/541.6
5,862,543 A	1/1999	Reynoso et al.	4/541.6
5,915,849 A *	6/1999	Dongo	4/541.6
5,920,925 A	7/1999	Dongo	4/541.6
D428,155 S *	7/2000	Chalberg et al.	D24/204
6,178,570 B1	1/2001	Denst	4/541
D460,192 S *	7/2002	Collins et al.	D24/204
6,510,277 B1	1/2003	Dongo	385/147
6,889,916 B2 *	5/2005	Loyd et al.	239/261
7,043,775 B2	5/2006	Holtsnider et al.	4/541.6
D530,018 S *	10/2006	Loyd	D24/201
D531,730 S *	11/2006	Loyd	D24/201

(56) **References Cited**

U.S. PATENT DOCUMENTS

3,570,766 A	3/1971	Johnson	239/601
3,704,831 A	12/1972	Clark	239/394
4,320,541 A	3/1982	Neenan	4/492
4,502,168 A *	3/1985	Jaworski	4/496
4,508,665 A	4/1985	Spinnett	261/93
4,617,615 A	10/1986	Eychaner	362/216
4,800,046 A	1/1989	Malek et al.	261/50.3
4,903,897 A	2/1990	Hayes	239/394
5,014,372 A	5/1991	Thrasher et al.	4/542
D320,086 S *	9/1991	Moeller	D24/204
5,051,875 A	9/1991	Johnson	362/101
5,122,936 A	6/1992	Guthrie	362/101
5,172,508 A	12/1992	Schmidt	43/17.5
5,172,866 A	12/1992	Ward	239/446
5,226,601 A	7/1993	Hinojosa, Jr. et al.	239/423
5,245,714 A	9/1993	Haraqa et al.	4/492
5,269,029 A	12/1993	Spears et al.	4/514.6
5,271,561 A	12/1993	Tobias et al.	4/541.6
5,316,216 A	5/1994	Cammack et al.	239/71
5,353,447 A	10/1994	Gravatt	4/541.6
5,444,879 A	8/1995	Holtsnider	4/541.01
5,457,825 A	10/1995	Holtsnider	4/541.1
5,462,230 A	10/1995	Van Ouwerkerk	239/587.4
5,604,940 A	2/1997	Shimizu	4/541.1

OTHER PUBLICATIONS

Waterway Plastics, Inc. 1999 Product Catalogue, p. 4, 210-6120 and 210-6510.
Waterway Plastics, Inc. 1997 Product Catalogue, p. 1 (Deluxe & Octagon Series Pulsating Jet) and (Standard Poly Jets Whirly and Pulsator Jets).

* cited by examiner

Primary Examiner—Ian Simmons
Assistant Examiner—Melanie Levy

(74) *Attorney, Agent, or Firm*—Koppel, Patrick, Heybl & Dawson

(57) **CLAIM**

The ornamental design for a fixture for a pool or spa, as shown and described.

DESCRIPTION

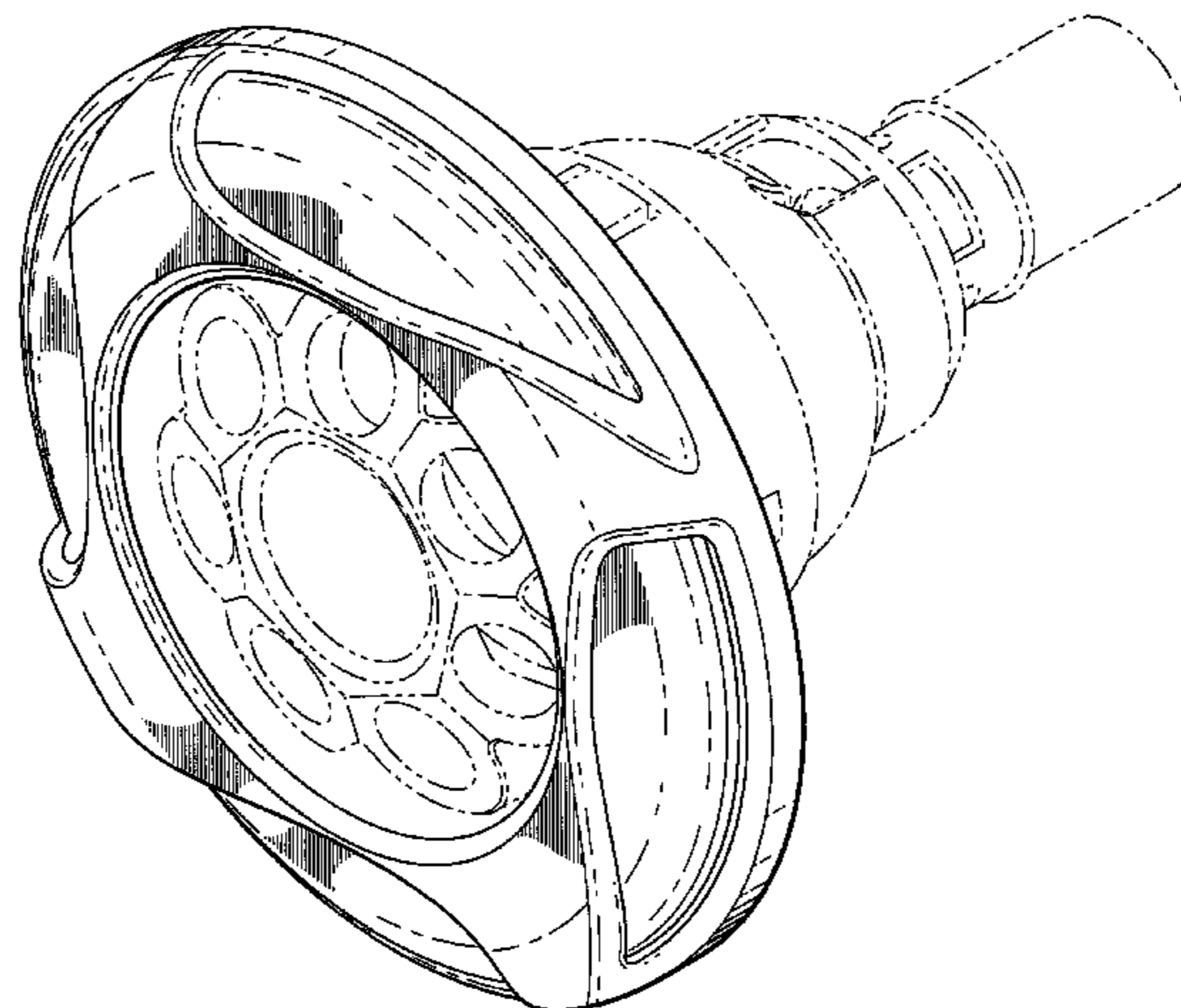
FIG. 1 is a front elevational view of a fixture for a pool or spa showing our new design;

FIG. 2 is a right side elevational view thereof with the left side elevational, top and bottom plan views being mirror images; and,

FIG. 3 is a front perspective view thereof.

The broken lines in FIGS. 1-3 are for illustrative purposes only and form no part of the claimed design.

1 Claim, 3 Drawing Sheets



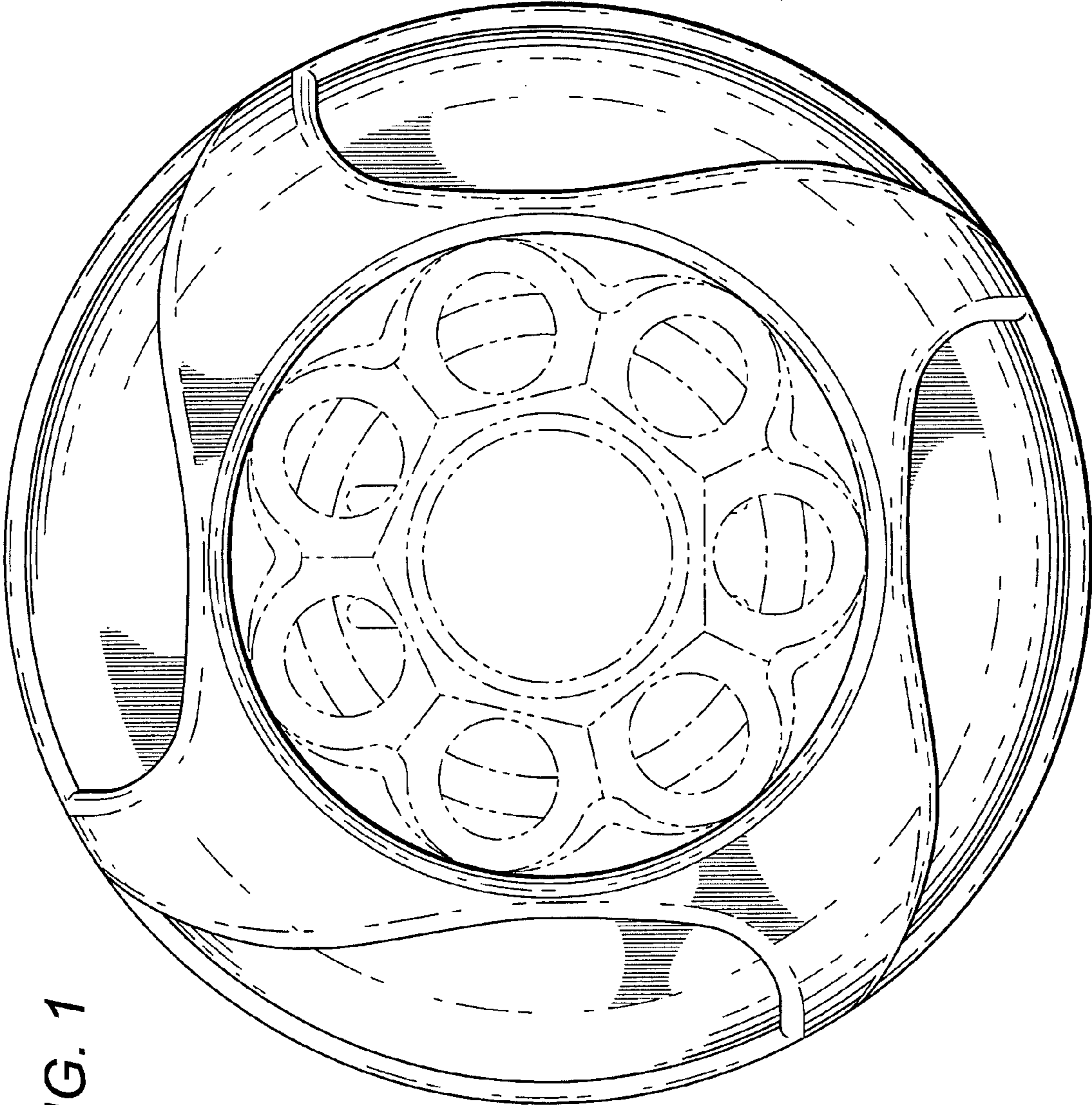
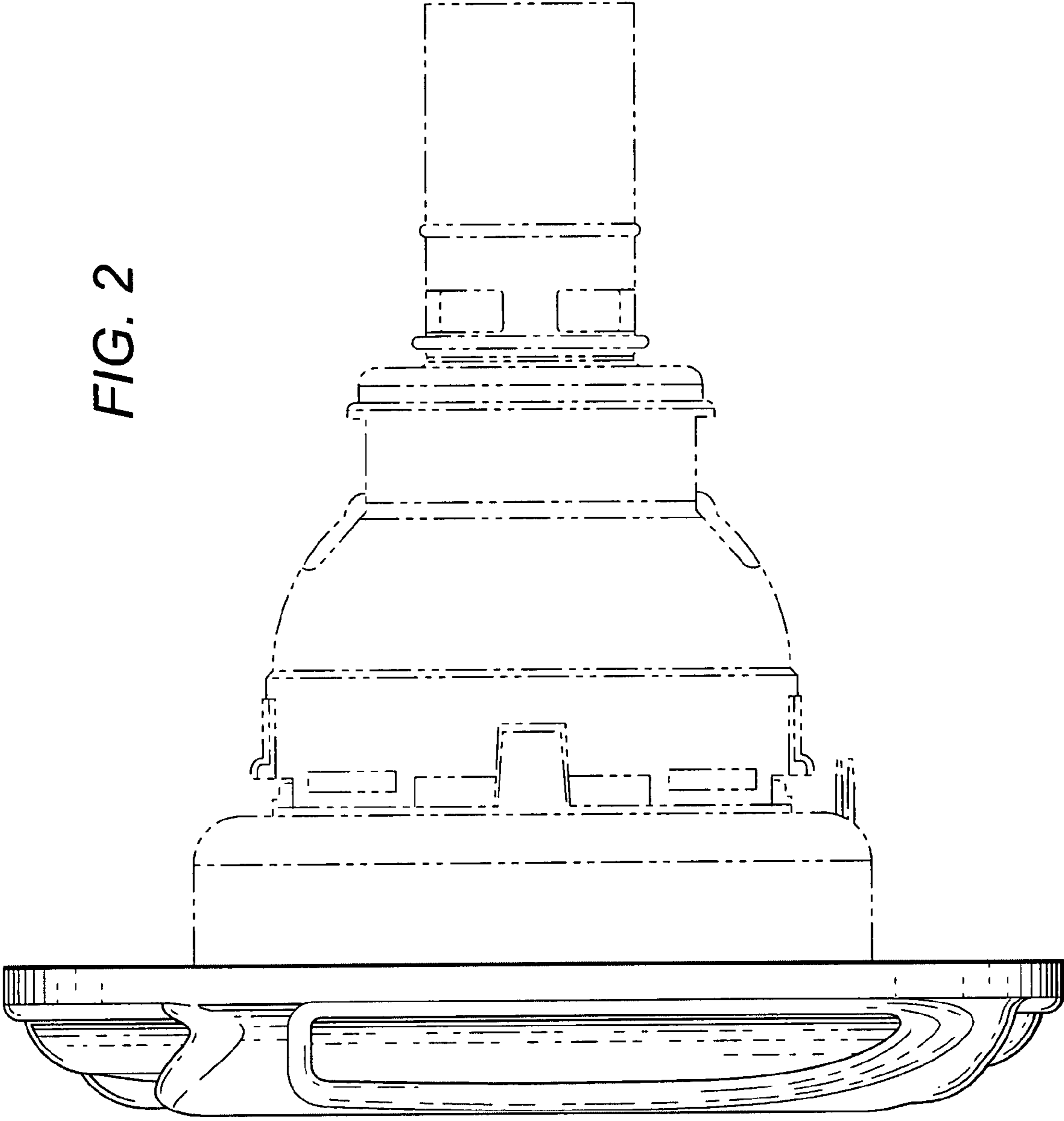


FIG. 1

FIG. 2



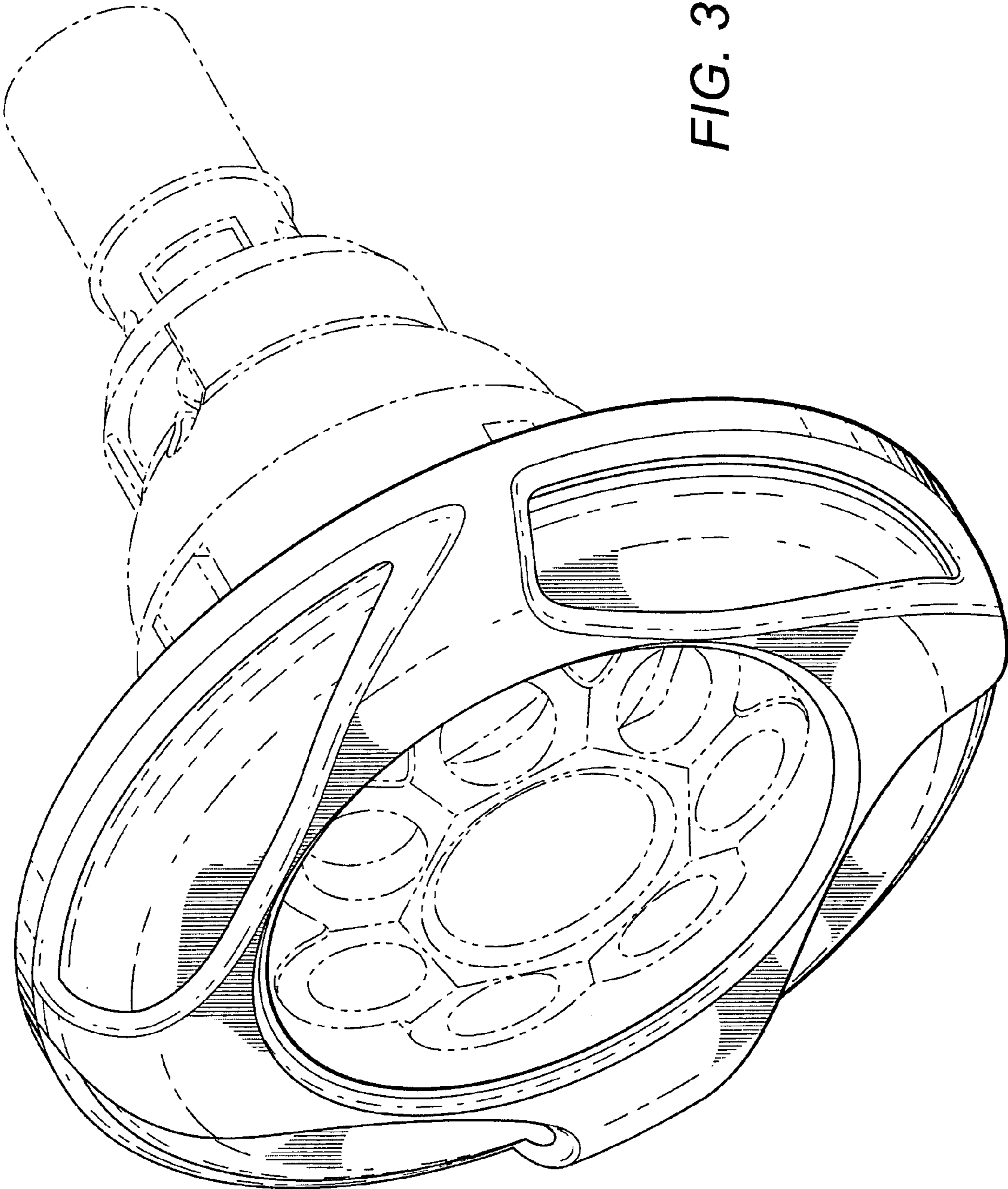


FIG. 3