



US00D574500S

(12) **United States Design Patent**
Koch et al.

(10) **Patent No.:** **US D574,500 S**
(45) **Date of Patent:** **** Aug. 5, 2008**

(54) **DISPOSABLE MICROPORATION PORATOR**

(75) Inventors: **Erin Melissa Koch**, Chicago, IL (US);
Mark James Fisher, Highland Park, IL
(US); **Jeremiah Peter O'Leary**,
Chicago, IL (US); **Stephen Wilson**
Braun, Roswell, GA (US); **Uros**
Kascak, Tucker, GA (US); **Loren J.**
Lantz, Tucker, GA (US); **Zoran**
Novakovic, Atlanta, GA (US)

(73) Assignee: **Altea Therapeutic Corporation**,
Atlanta, GA (US)

(**) Term: **14 Years**

(21) Appl. No.: **29/260,181**

(22) Filed: **May 19, 2006**

(51) **LOC (8) Cl.** **24-04**

(52) **U.S. Cl.** **D24/189**

(58) **Field of Classification Search** D24/188-189;
602/44, 45, 48, 54, 55, 56, 57, 58, 59, 60,
602/61, 62

See application file for complete search history.

(56) **References Cited**

U.S. PATENT DOCUMENTS

D372,097 S * 7/1996 Albert et al. D24/189
D372,098 S * 7/1996 Lattin et al. D24/189
D372,787 S * 8/1996 Dozier et al. D24/189
D380,552 S * 7/1997 Frenkel et al. D24/189
D384,745 S * 10/1997 Lattin et al. D24/189

D385,038 S * 10/1997 Shultz D24/189
D437,217 S * 2/2001 Bloor et al. D9/415
D537,947 S * 3/2007 Miyachika et al. D24/189
D545,440 S * 6/2007 Jensen D24/189

* cited by examiner

Primary Examiner—Louis S Zarfaz
Assistant Examiner—Michelle E Wilson
(74) *Attorney, Agent, or Firm*—Needle & Rosenberg, P.C.

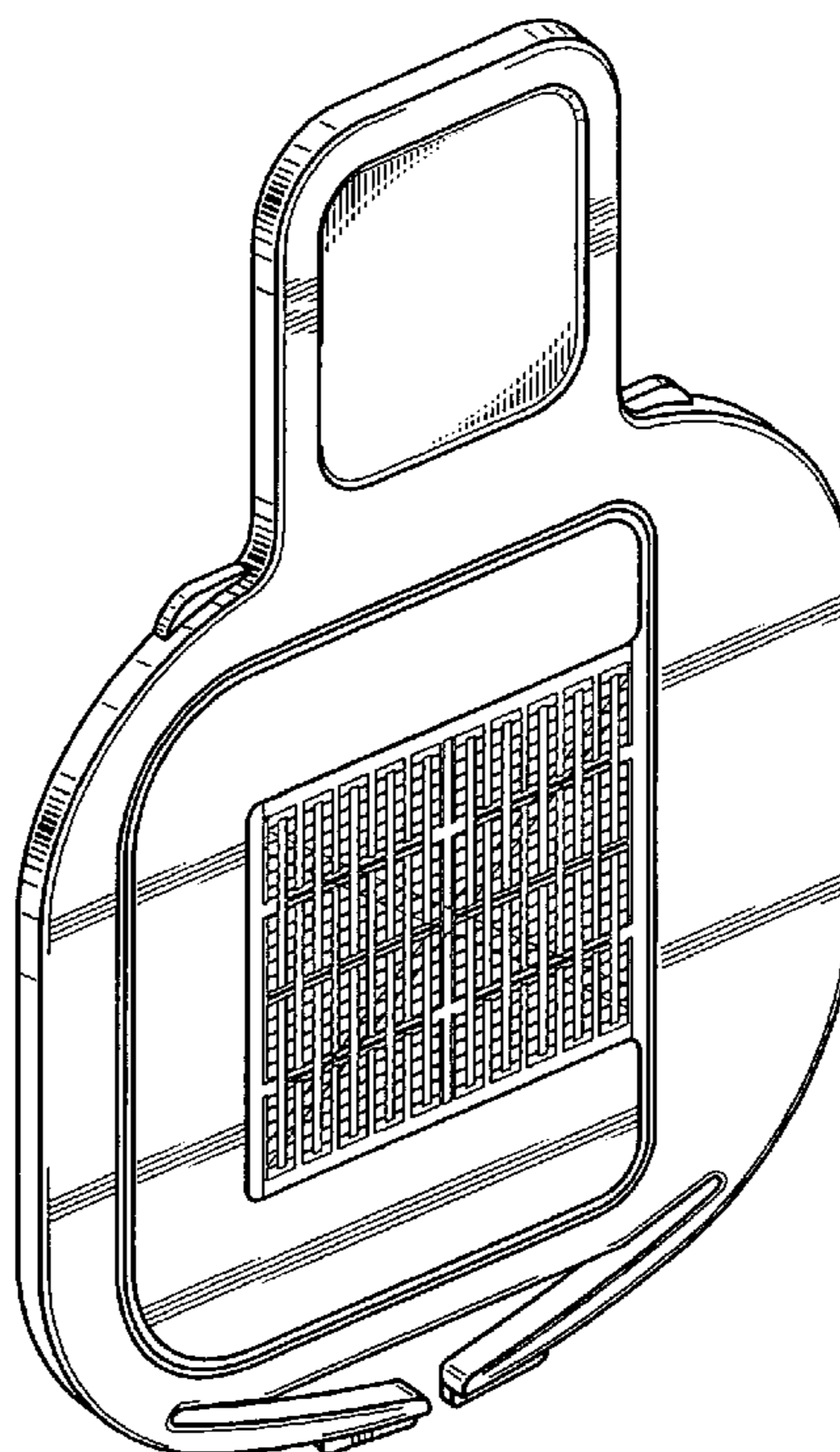
(57) **CLAIM**

The ornamental design for a disposable microporation porator, as shown and described.

DESCRIPTION

FIG. 1 is a front perspective view of a first embodiment of a disposable microporation porator of the present invention; FIG. 2 is a left side elevational view of the disposable microporation porator of FIG. 1; FIG. 3 is a right side elevational view of the disposable microporation porator of FIG. 1; FIG. 4 is a top plan view of the disposable microporation porator of FIG. 1; FIG. 5 is a bottom plan view of the disposable microporation porator of FIG. 1; FIG. 6 is a front elevational view of the disposable microporation porator of FIG. 1; and, FIG. 7 is a rear elevational view of disposable microporation porator of FIG. 1.

1 Claim, 3 Drawing Sheets



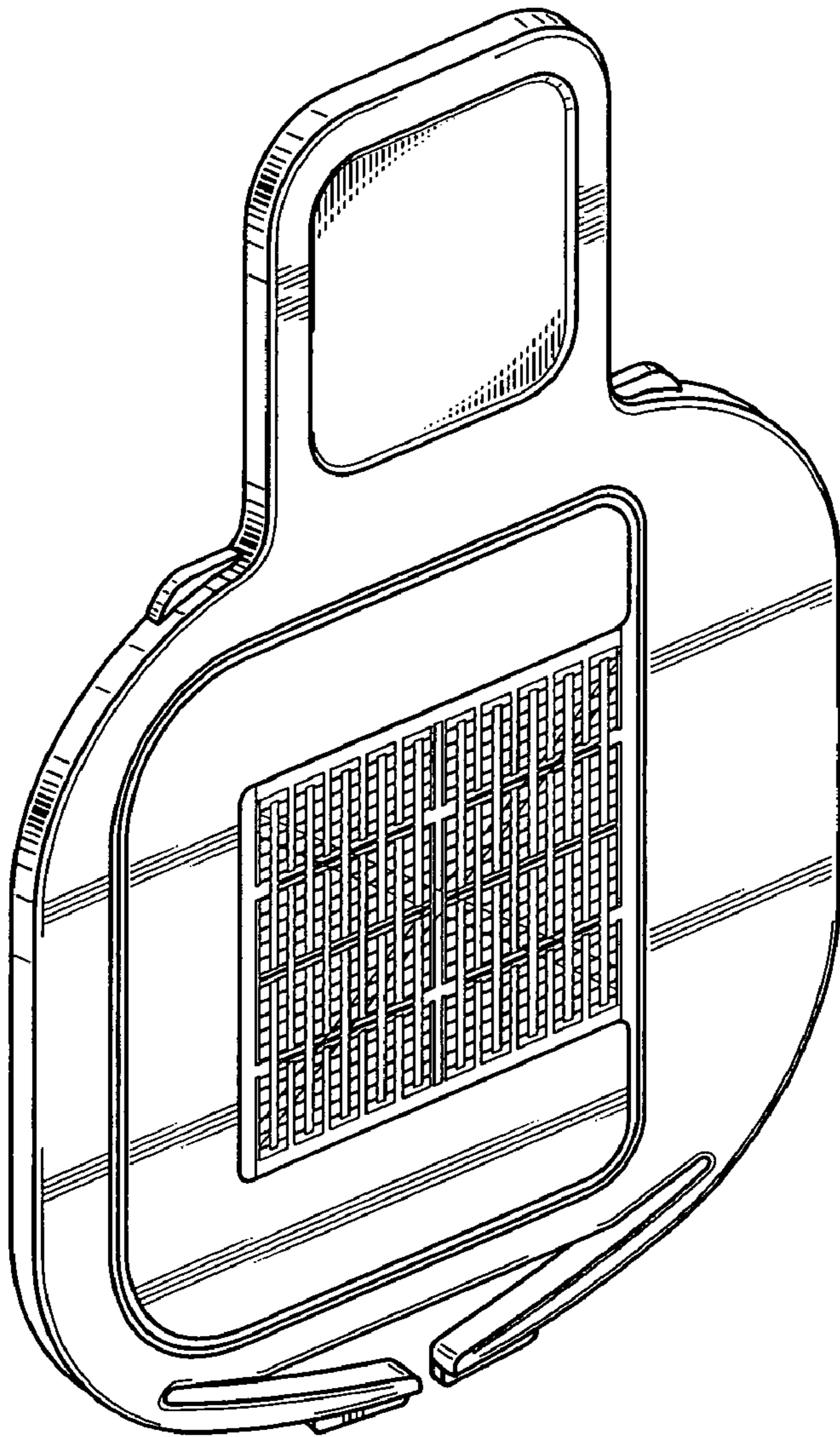


Fig. 1



Fig. 2



Fig. 3



Fig. 4



Fig. 5

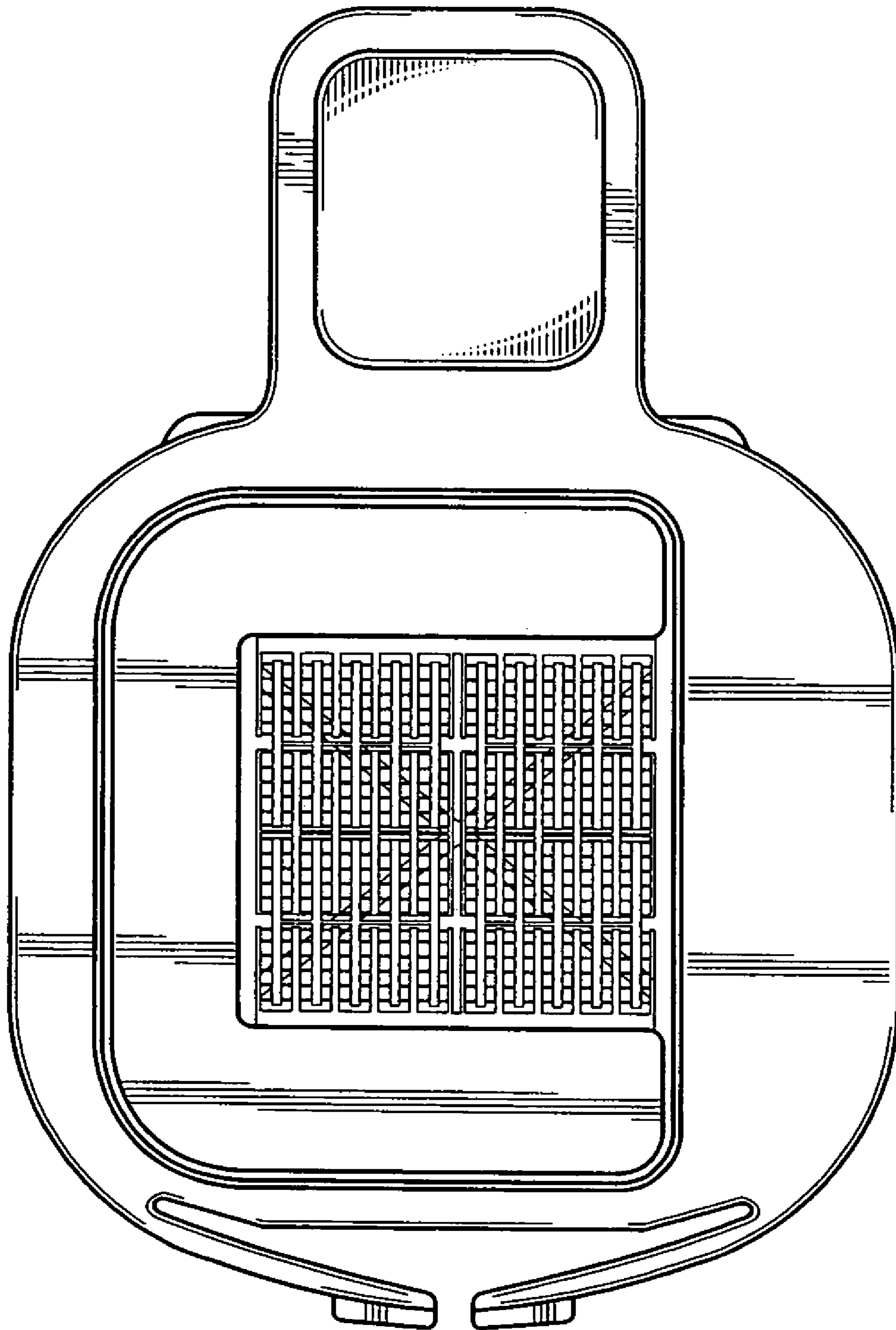


Fig. 6

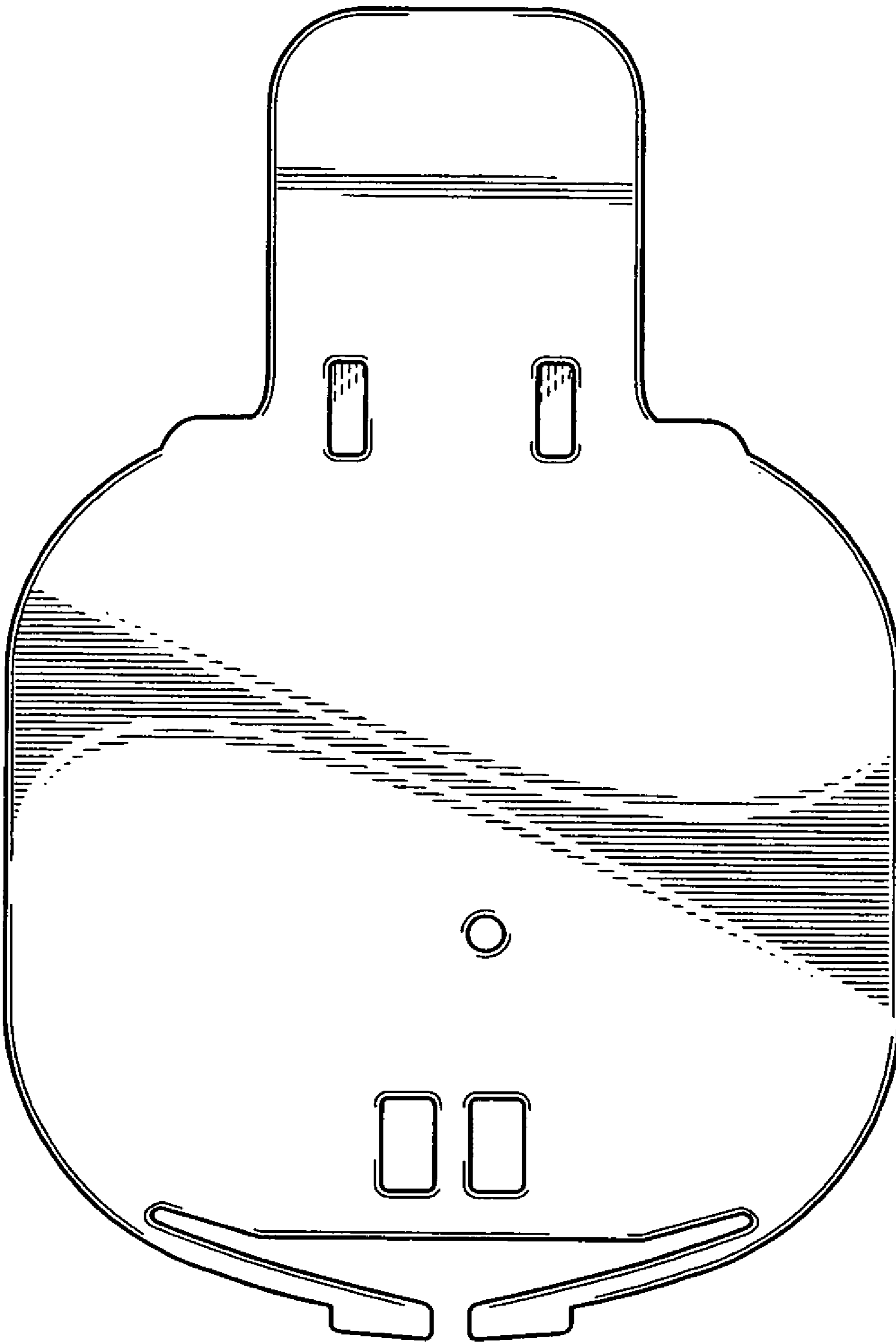


Fig. 1