



US00D574499S

(12) **United States Design Patent**
Lambalot

(10) **Patent No.:** **US D574,499 S**

(45) **Date of Patent:** **** Aug. 5, 2008**

(54) **NORMAL FLOW FILTER READY TO
PROCESS CART**

D561,972 S * 2/2008 Roever D34/17

* cited by examiner

(75) Inventor: **Charles Lambalot**, Mansfield, MA (US)

Primary Examiner—Robert A. Delehanty

Assistant Examiner—Mark Cavanna

(73) Assignee: **GE Healthcare Bioscience Bioprocess
Corp.**, Piscataway, NJ (US)

(74) *Attorney, Agent, or Firm*—Dwayne L. Bentley

(**) Term: **14 Years**

(57) **CLAIM**

(21) Appl. No.: **29/299,884**

The ornamental design for a normal flow filter ready to process cart, as shown and described.

(22) Filed: **Jan. 7, 2008**

DESCRIPTION

(51) **LOC (8) Cl.** **24-01**

(52) **U.S. Cl.** **D24/185**; D34/17

(58) **Field of Classification Search** D24/107,
D24/177, 185–186; D6/465, 476, 478–479;
D34/12–27; 108/209, 177, 189; 280/47.34–47.35,
280/79.11, 79.2–79.3

FIG. 1 is a perspective view of the normal flow filter ready to process cart showing our new design.

FIG. 2 is a front view of the normal flow filter ready to process cart of FIG. 1.

See application file for complete search history.

FIG. 3 is a back view of the normal flow filter ready to process cart of FIG. 1.

(56) **References Cited**

FIG. 4 is a left side view of the normal flow filter ready to process cart of FIG. 1.

U.S. PATENT DOCUMENTS

FIG. 5 is a right side view of the normal flow filter ready to process cart of FIG. 1.

| | | | | | | |
|-----------|---|---|---------|------------------|-------|---------|
| 1,854,777 | A | * | 4/1932 | Bales | | 108/177 |
| 2,886,186 | A | * | 5/1959 | Hamilton | | 108/189 |
| D189,824 | S | * | 2/1961 | Harper | | D6/465 |
| D199,670 | S | * | 12/1964 | Inglis | | D34/21 |
| D275,044 | S | * | 8/1984 | Hampshire et al. | | D6/476 |
| D301,652 | S | * | 6/1989 | Roberts | | D6/479 |
| D313,878 | S | * | 1/1991 | Rinkewich | | D34/17 |
| D344,382 | S | * | 2/1994 | Conaway et al. | | D34/21 |
| D362,528 | S | * | 9/1995 | Shannon et al. | | D34/21 |
| D409,019 | S | * | 5/1999 | Crinion | | D6/478 |
| D478,199 | S | * | 8/2003 | Presnell et al. | | D34/21 |
| D493,593 | S | * | 7/2004 | Anderson | | D34/14 |

FIG. 6 is a top plan view of the normal flow filter ready to process cart of FIG. 1; and,

FIG. 7 is a bottom plan view of the normal flow filter ready to process cart of FIG. 1.

The normal flow filter ready to process cart is composed of stainless steel material with a retractable T-Bar configuration on each end of cart.

1 Claim, 4 Drawing Sheets

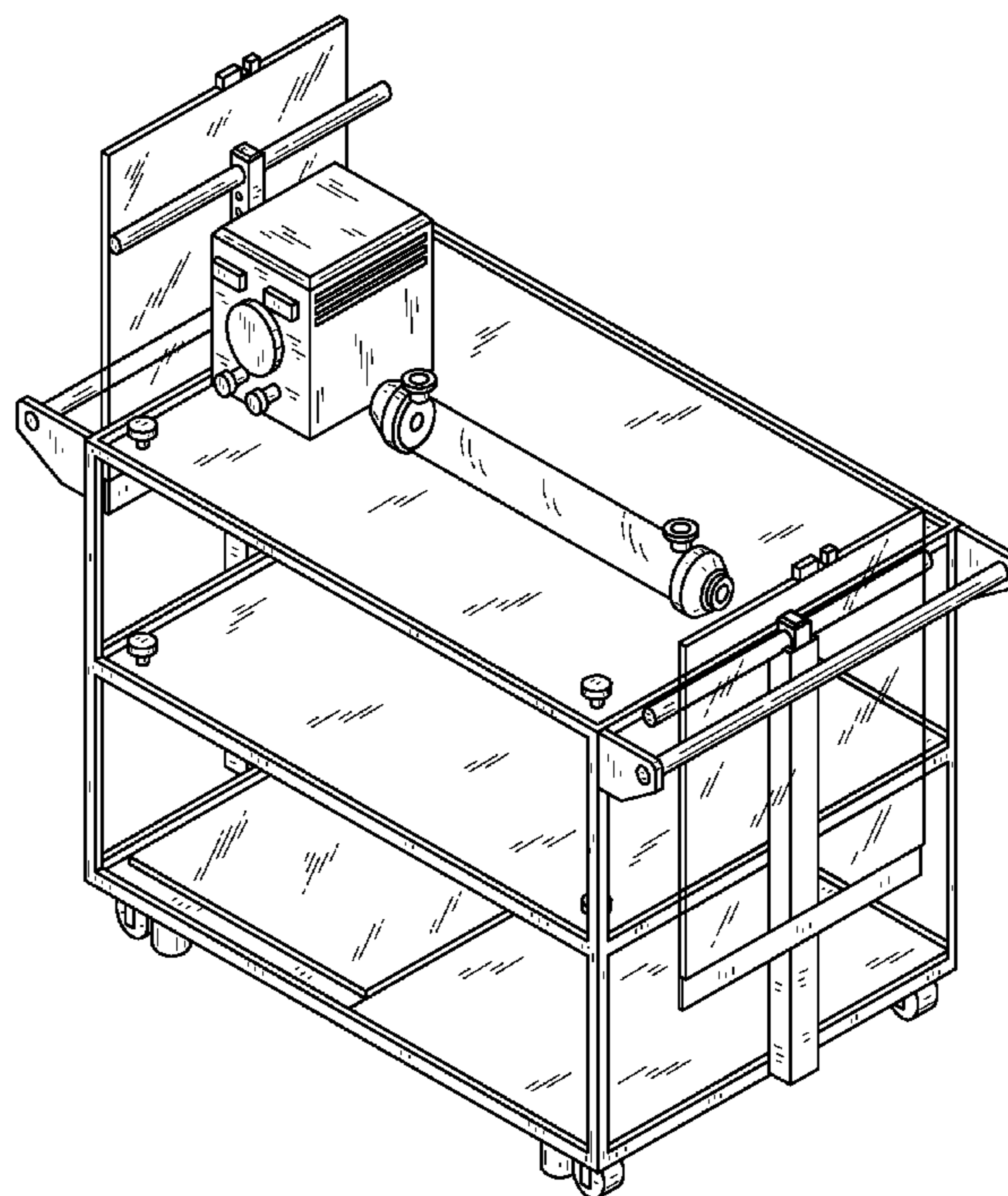


FIG. 1

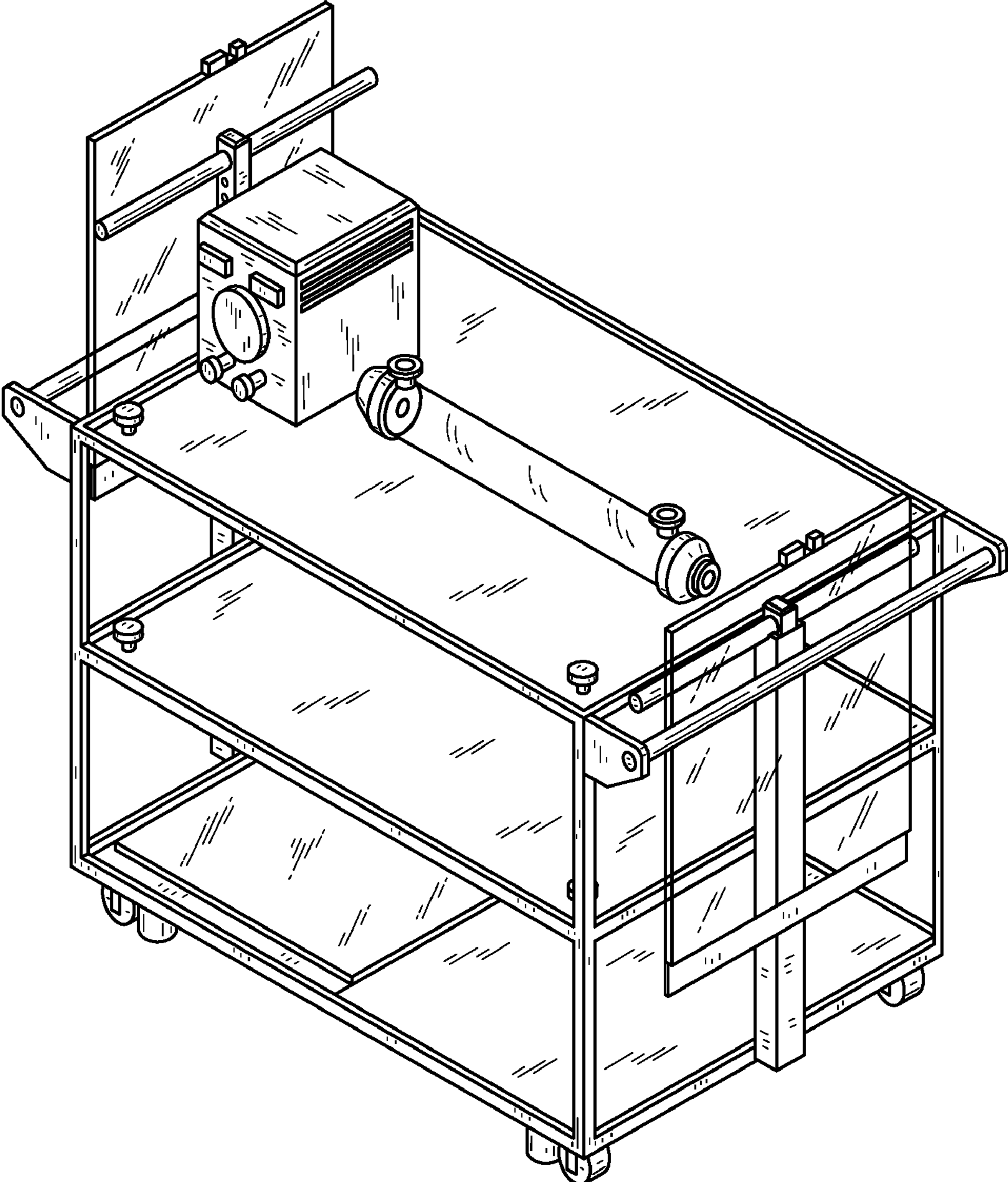


FIG. 2

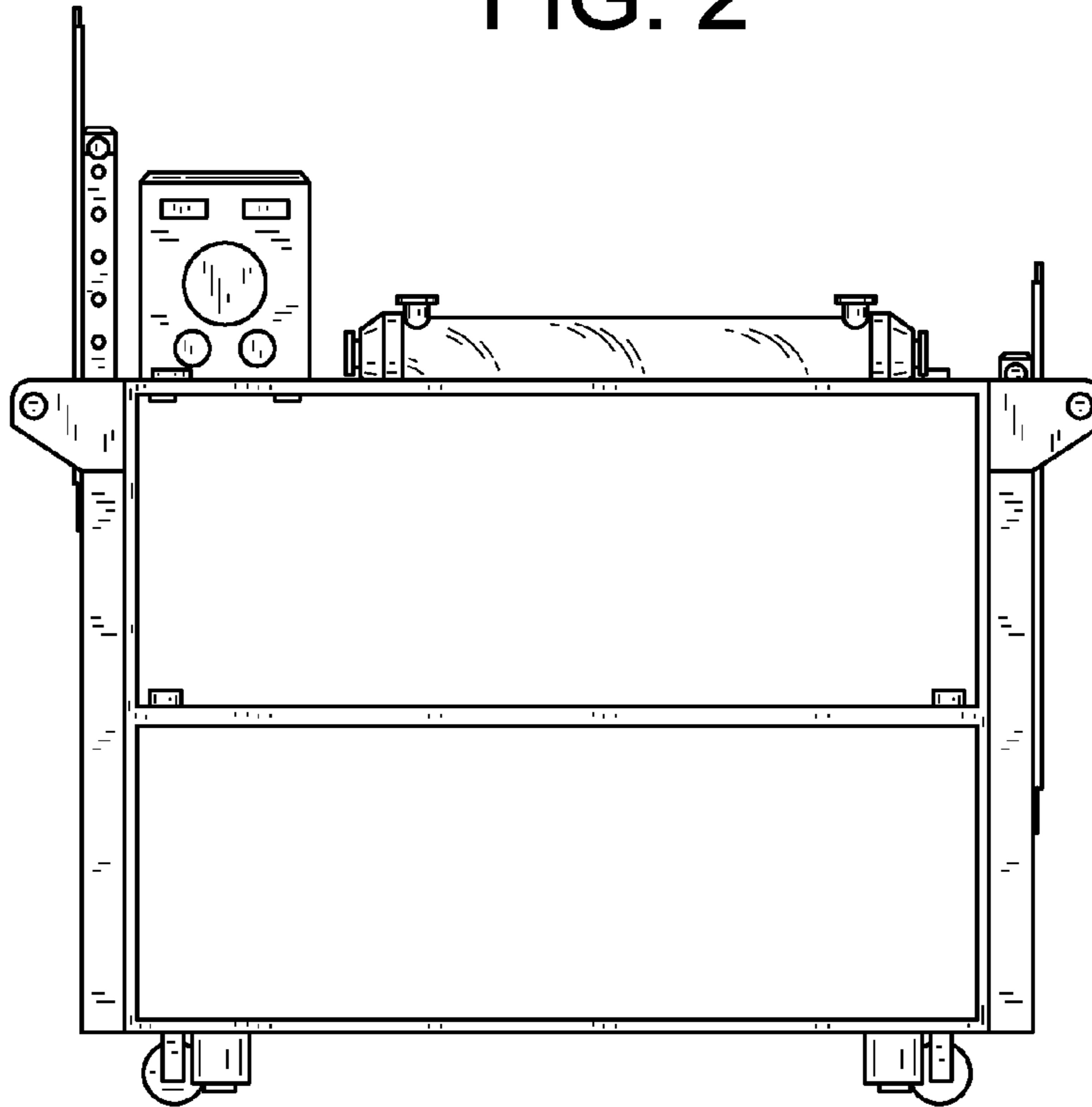


FIG. 3

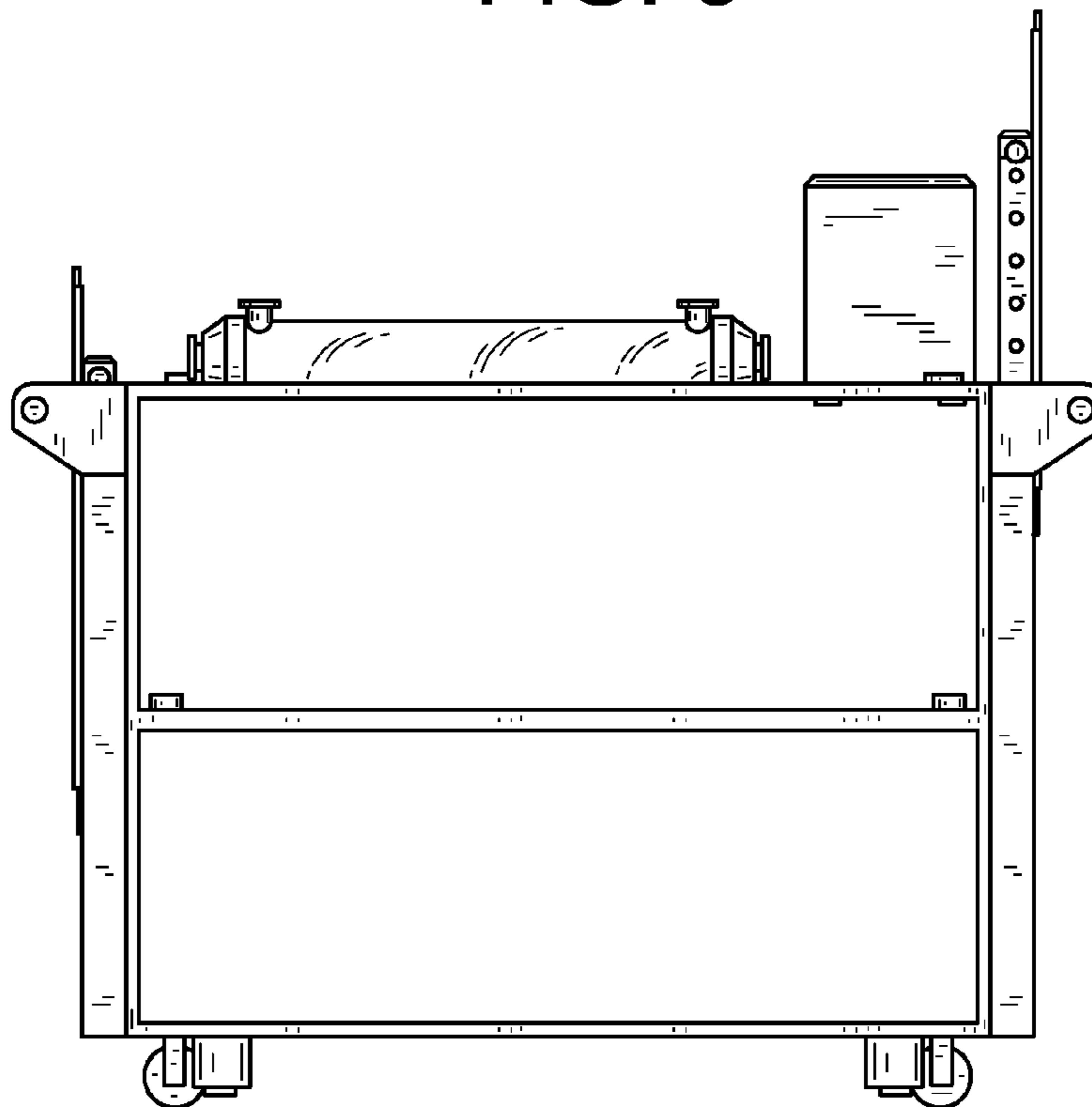


FIG. 4

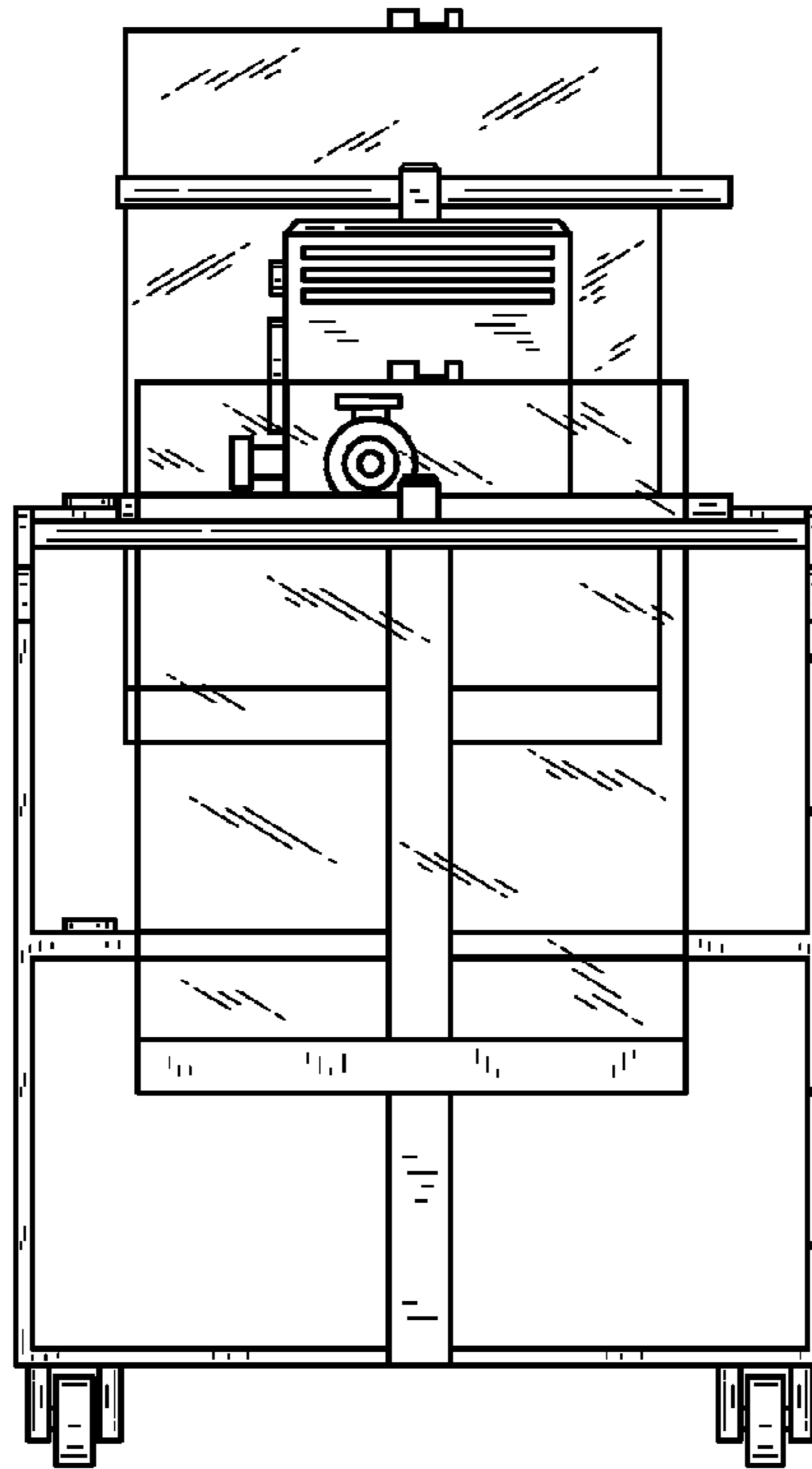


FIG. 5

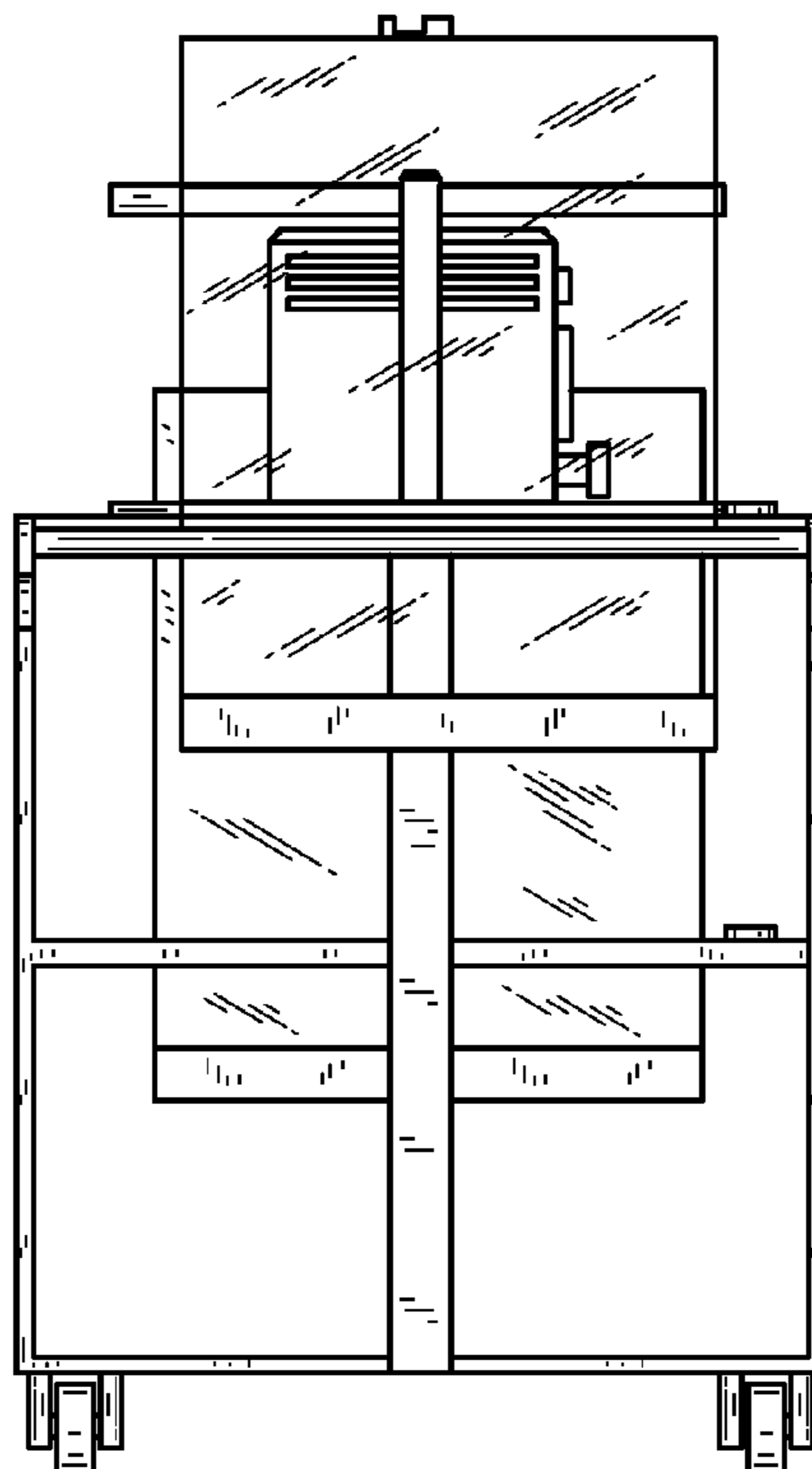


FIG. 6

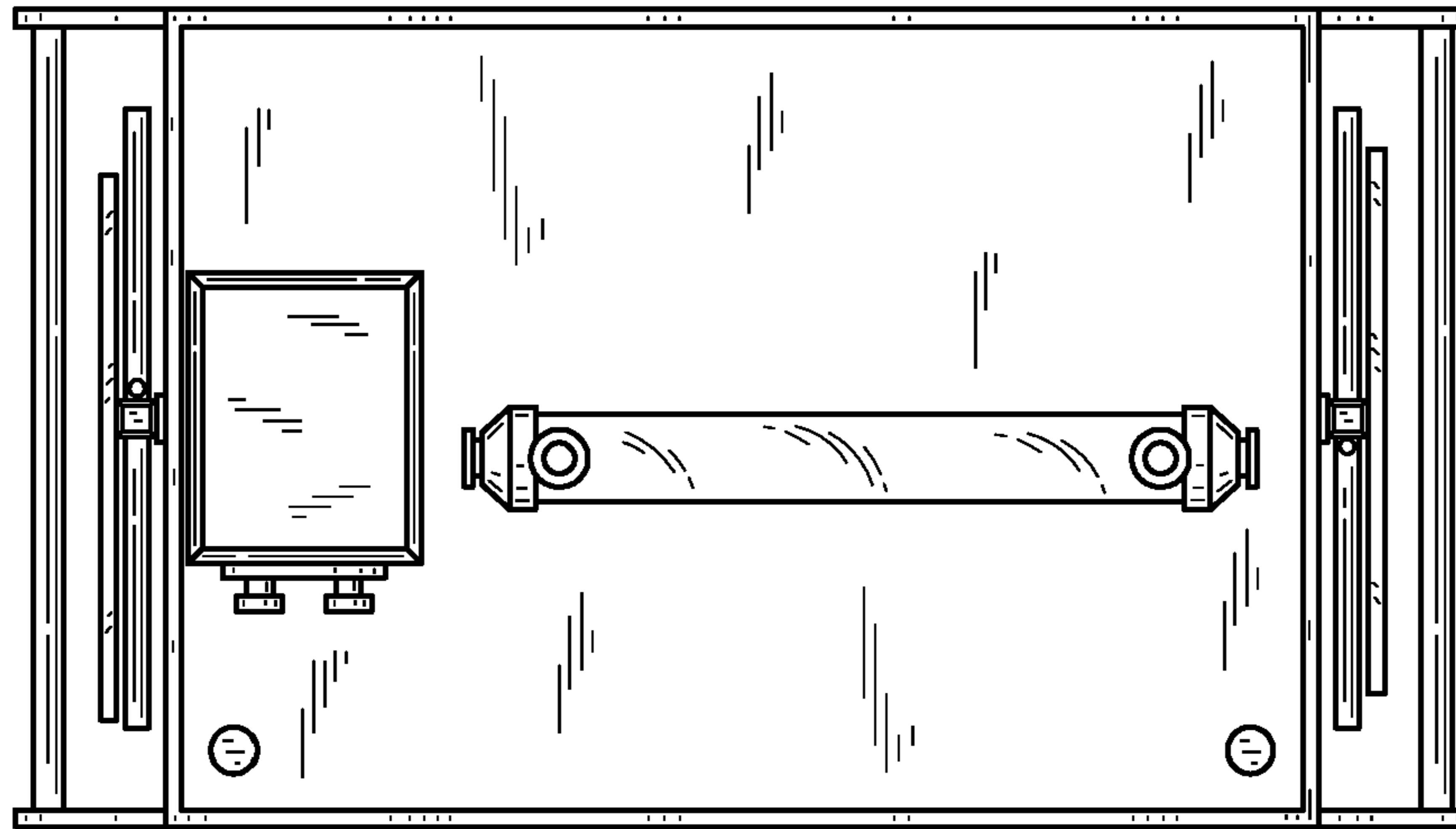


FIG. 7

