



US00D574495S

(12) **United States Design Patent**
Petersen

(10) **Patent No.:** **US D574,495 S**

(45) **Date of Patent:** **** Aug. 5, 2008**

(54) **DRILL GUIDE**

6,419,678 B1 * 7/2002 Asfora 606/96

(75) Inventor: **David A Petersen**, Clearwater, FL (US)

(73) Assignee: **Orthopedic Development Corporation**,
Pinellas Park, FL (US)

(**) Term: **14 Years**

(21) Appl. No.: **29/298,306**

(22) Filed: **Dec. 3, 2007**

(51) **LOC (8) Cl.** **24-02**

(52) **U.S. Cl.** **D24/140**

(58) **Field of Classification Search** D24/140,
D24/133, 146, 112, 135, 137; D15/132,
D15/138, 139; 606/96, 102, 97, 98, 87, 88,
606/89

See application file for complete search history.

(56) **References Cited**

U.S. PATENT DOCUMENTS

D268,870 S	5/1983	Dohogne	
D291,246 S	8/1987	Lower	
D357,534 S *	4/1995	Hayes D24/140
D359,557 S	6/1995	Hayes	
D374,283 S	10/1996	Michelson	
D382,056 S	8/1997	Kammerer	
D397,436 S	8/1998	Michelson	
D398,996 S	9/1998	Simmons et al.	
D404,126 S	1/1999	Asfora	
D433,506 S *	11/2000	Asfora D24/140

OTHER PUBLICATIONS

“Position Drill Guide”—http://waston.en.alibaba.com/product/200019231/200586899/medical_instruments/Position_drill_guide.html.

“Drill Guide for IGS”—http://www.brainlab.com/scripts/website_english.asp?menuDeactivate=0&articleID=2107&articleTypeID=263&pageTypeID=6&article_short_headline=Drill%20Guides%20for%20IGS.

* cited by examiner

Primary Examiner—Ian Simmons

Assistant Examiner—Christopher Lee

(74) *Attorney, Agent, or Firm*—Sheppard, Mullin, Richter & Hampton LLP

(57) **CLAIM**

The ornamental design for a drill guide, as shown and described.

DESCRIPTION

FIG. 1 is a side view of a drill guide in accordance with my new design;

FIG. 2 is an opposite side view thereof;

FIG. 3 is a rear view thereof;

FIG. 4 is a front view thereof;

FIG. 5 is a bottom plan view thereof;

FIG. 6 is a top plan view thereof;

FIG. 7 is an enlarged side view of the tip portion of a drill guide thereof as seen in FIG. 1; and,

FIG. 8 is an enlarged perspective view of the tip portion of a drill guide thereof.

1 Claim, 4 Drawing Sheets

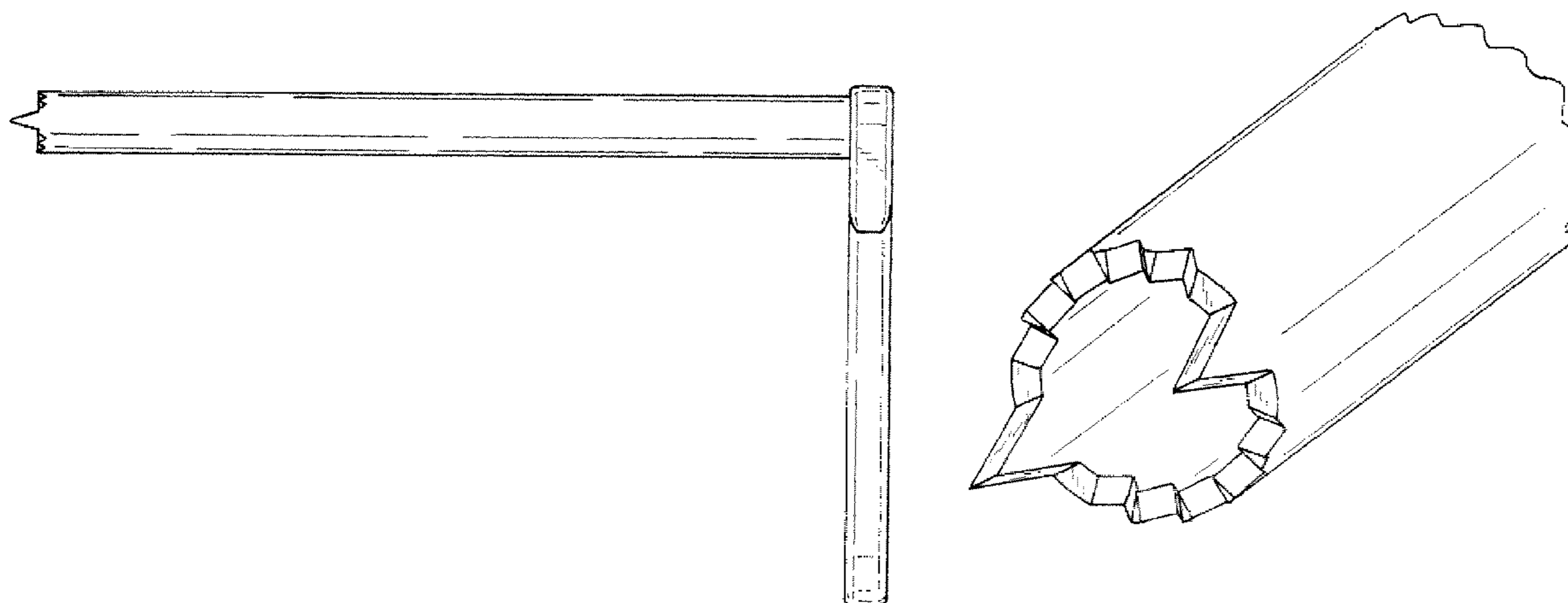


FIG 1

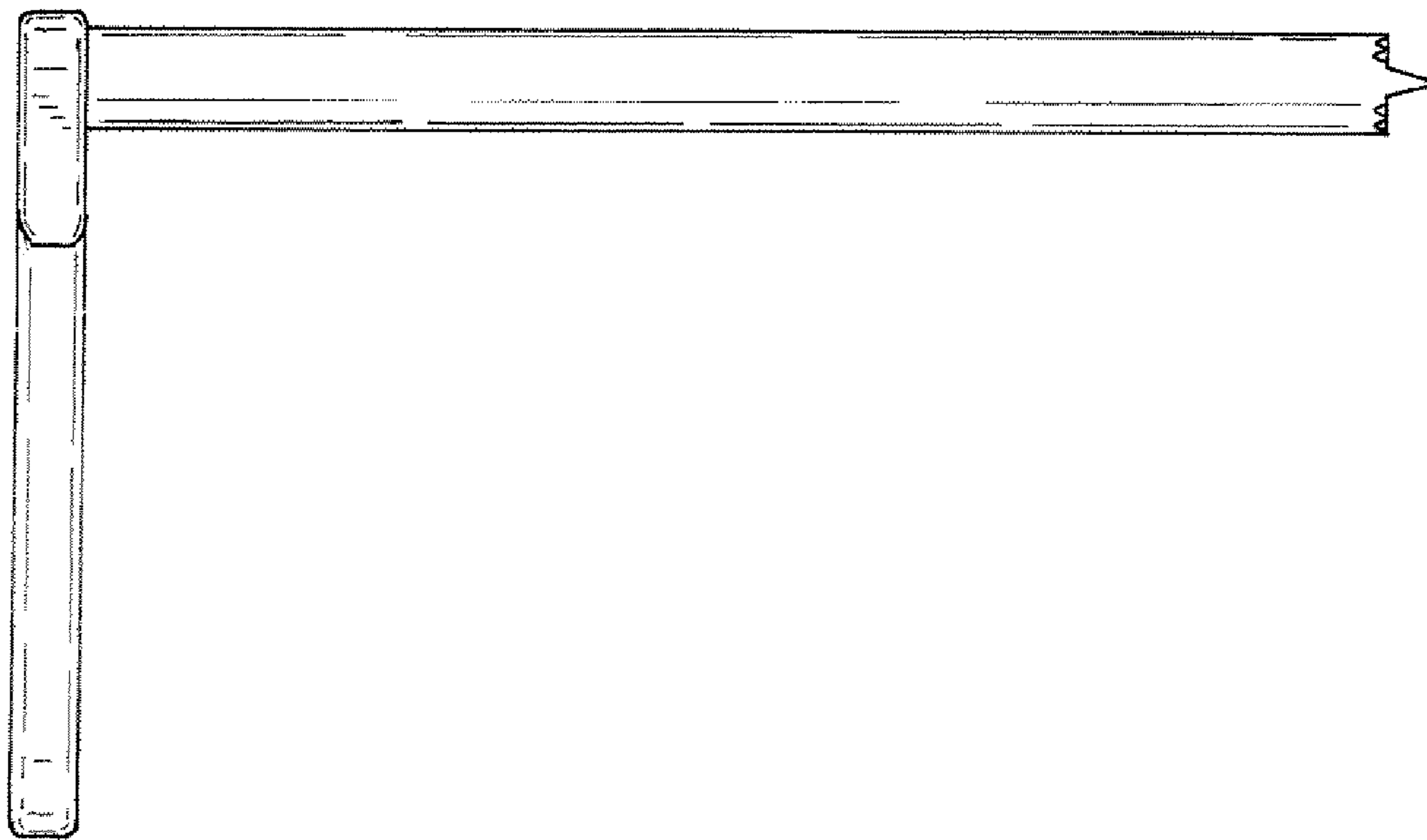
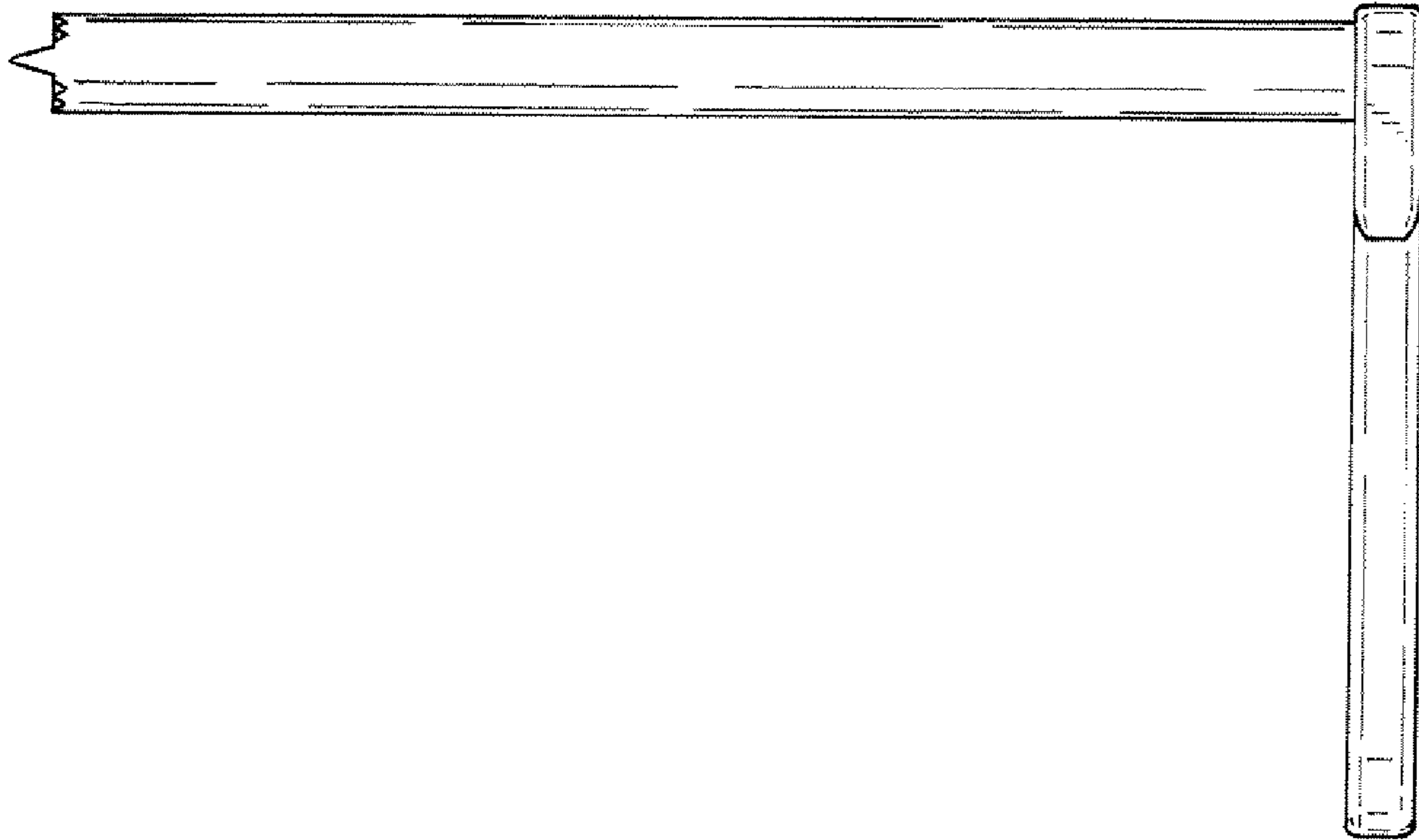


FIG 2

FIG 3

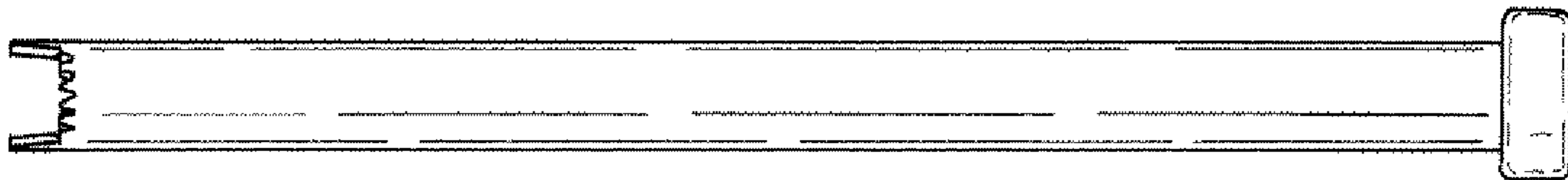
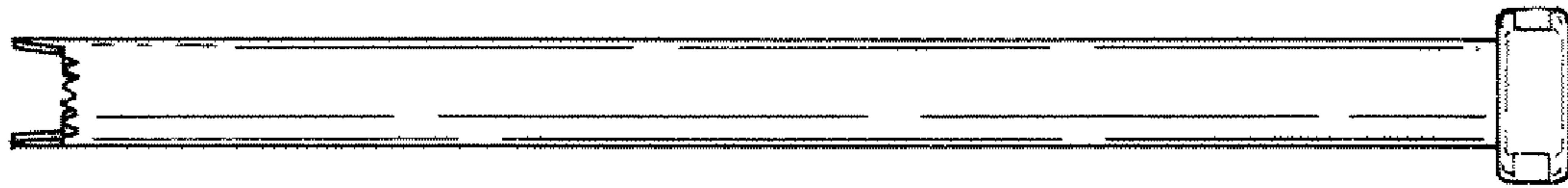


FIG 4

FIG 5

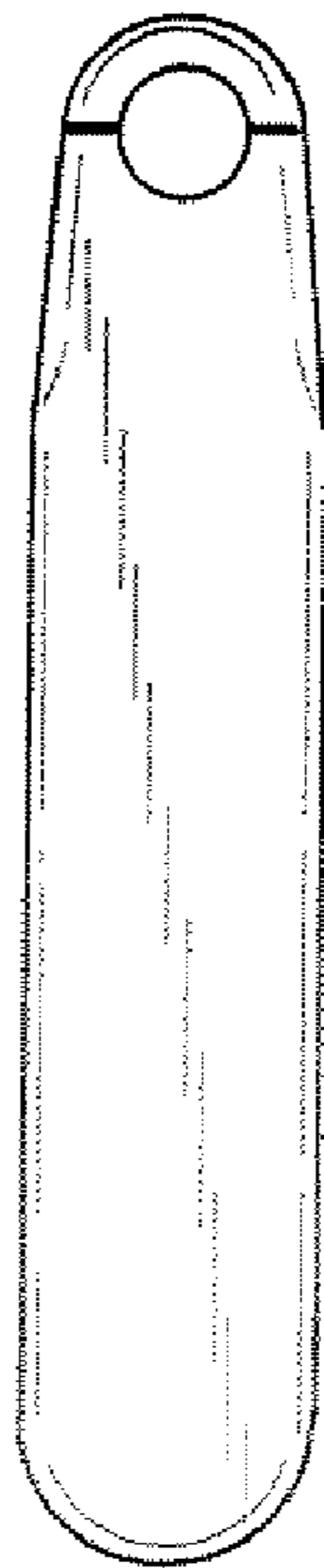
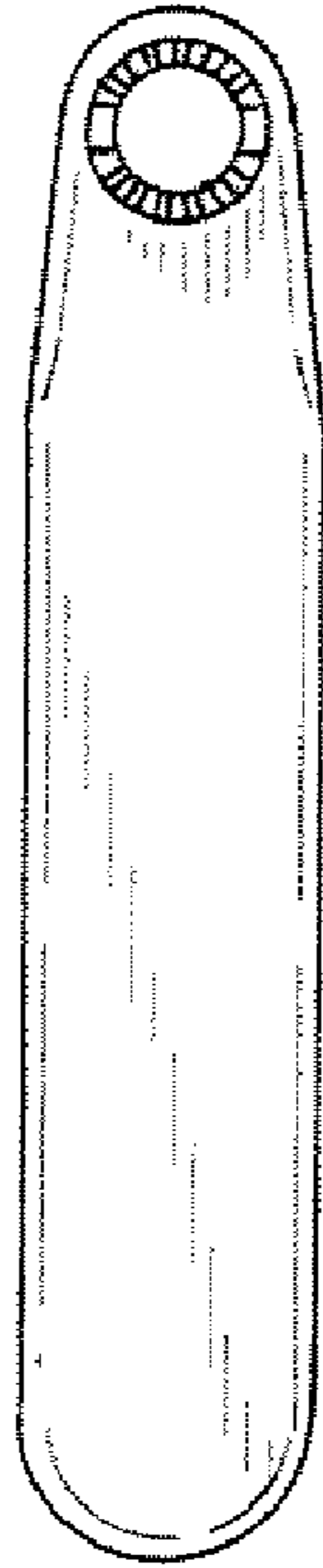


FIG 6

FIG. 7

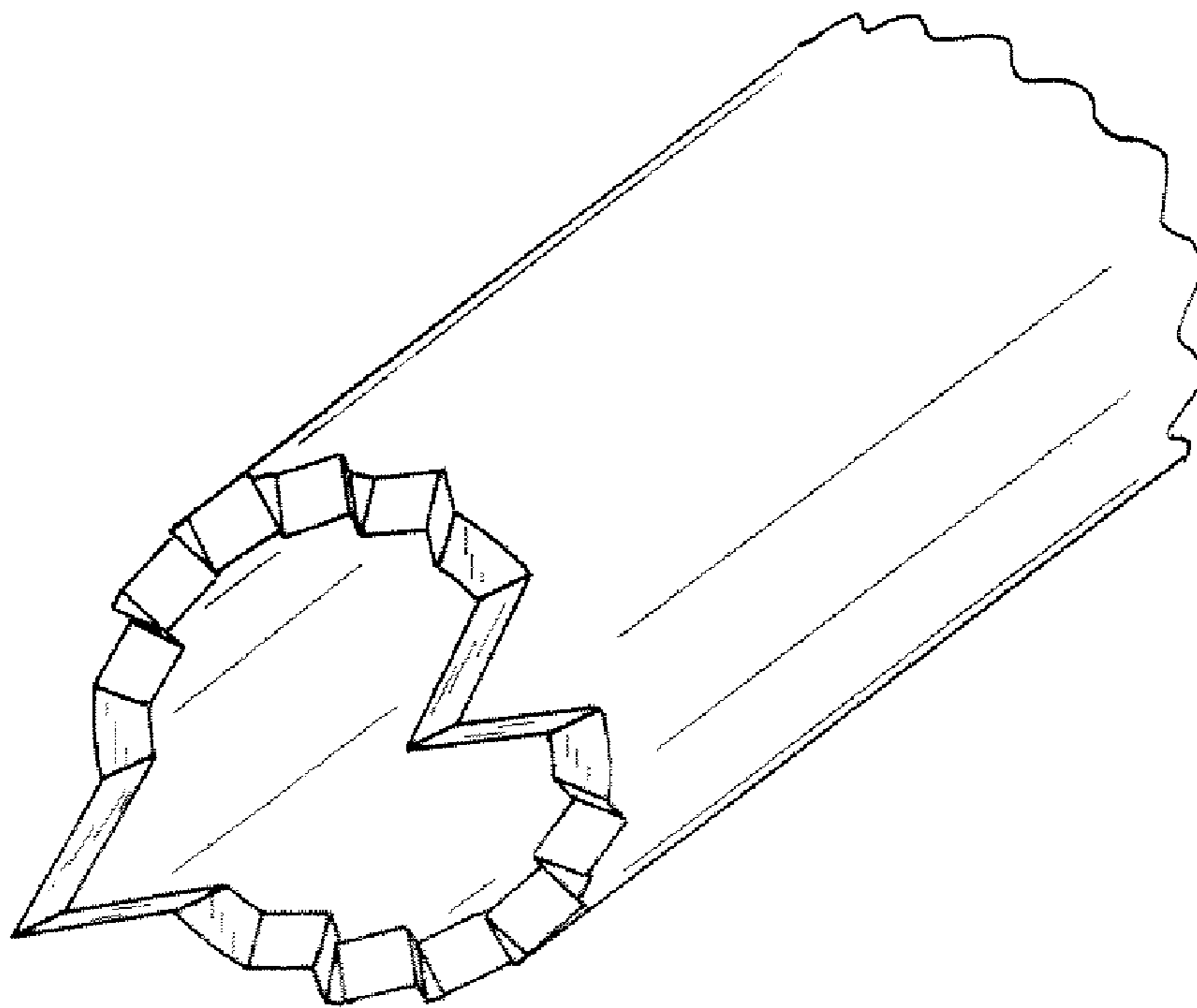
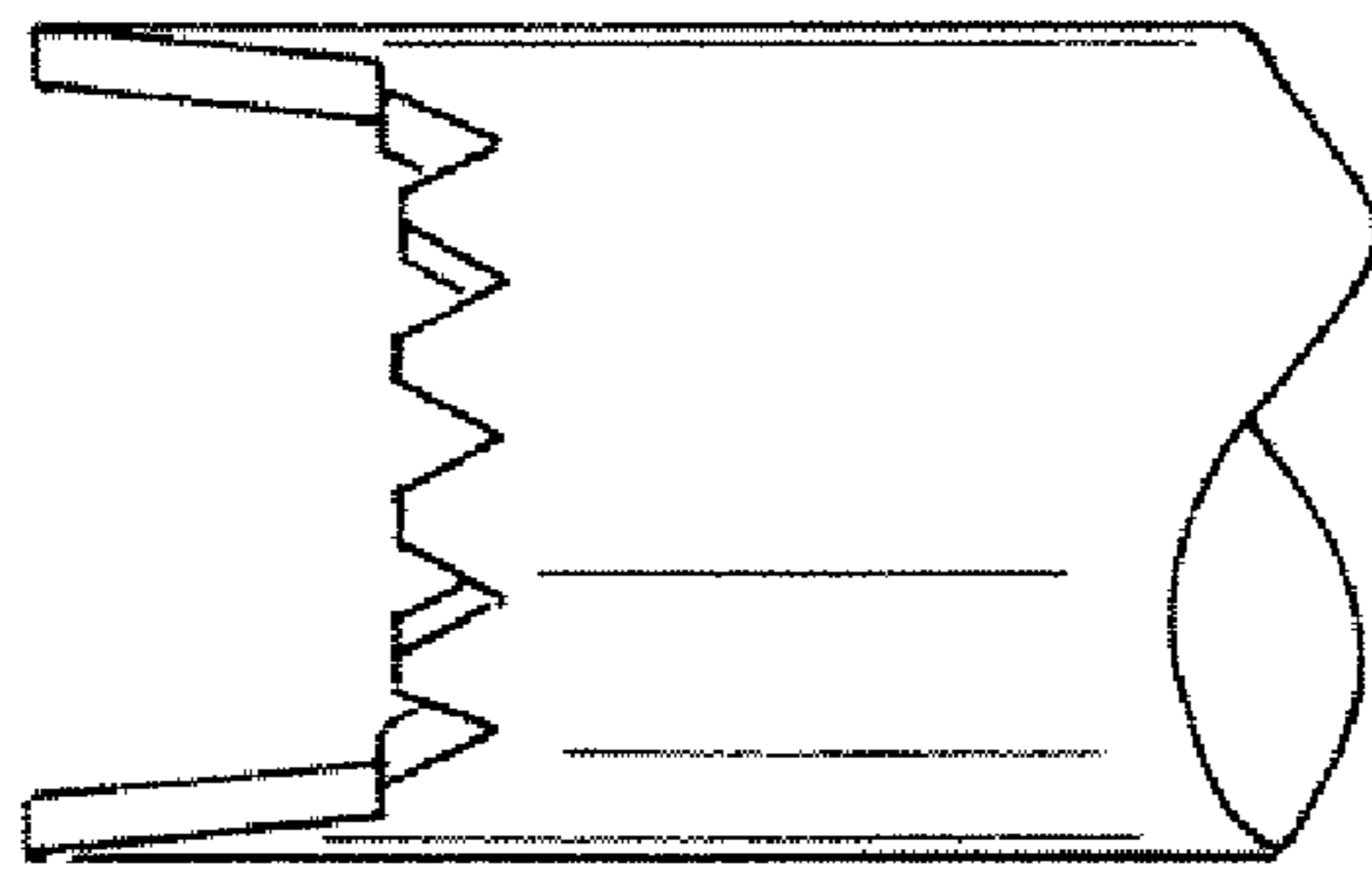


FIG. 8