



US00D574490S

(12) **United States Design Patent**
Patzer

(10) **Patent No.:** **US D574,490 S**

(45) **Date of Patent:** **** Aug. 5, 2008**

(54) **MOVABLE MEMBER FOR A MEDICAL FLUID RESERVOIR**

(75) Inventor: **Charles R. Patzer**, Columbus, OH (US)

(73) Assignee: **Smiths Medical ASD, Inc.**, Rockland, MA (US)

(**) Term: **14 Years**

(21) Appl. No.: **29/280,831**

(22) Filed: **Jun. 8, 2007**

(51) **LOC (8) Cl.** **24-02**

(52) **U.S. Cl.** **D24/129**

(58) **Field of Classification Search** D24/111–114, D24/130; 604/220–221, 214, 240, 264, 228, 604/218, 187, 191, 193, 198, 263, 222, 225, 604/227, 110

See application file for complete search history.

(56) **References Cited**

U.S. PATENT DOCUMENTS

544,014 A	8/1895	Terramorse	
554,614 A	2/1896	Beyer	
3,050,059 A	8/1962	Wall et al.	
D203,730 S *	2/1966	Coanda	D24/130
3,253,592 A	5/1966	von Pechmann	
3,965,897 A	6/1976	Lundquist	
4,373,535 A	2/1983	Martell	
4,457,755 A	7/1984	Wilson	
4,615,341 A	10/1986	Marzolf et al.	
D287,053 S *	12/1986	Bucchianeri et al.	D24/130
4,685,910 A	8/1987	Schweizer	
4,766,908 A *	8/1988	Clement	600/578
4,774,963 A	10/1988	Ichikawa et al.	
4,838,855 A	6/1989	Lynn	
4,936,315 A	6/1990	Lineback	
5,090,962 A *	2/1992	Landry et al.	604/110
5,265,621 A	11/1993	Simpson et al.	
5,324,266 A	6/1994	Ambrisco et al.	
5,522,804 A	6/1996	Lynn	
5,788,677 A	8/1998	Botich et al.	

D403,762 S *	1/1999	Gabbard et al.	D24/113
5,938,637 A	8/1999	Austin et al.	
5,976,112 A	11/1999	Lyza, Jr.	
6,086,559 A	7/2000	Enk	
6,086,568 A *	7/2000	Caizza	604/218
6,224,577 B1 *	5/2001	Dedola et al.	604/218
D461,555 S *	8/2002	Binet et al.	D24/114
6,461,333 B1 *	10/2002	Frezza	604/192
6,585,700 B1 *	7/2003	Trocki et al.	604/218
6,626,870 B1 *	9/2003	Yarborough et al.	604/199
6,652,489 B2 *	11/2003	Trocki et al.	604/154
6,716,187 B1 *	4/2004	Jorgensen et al.	604/6.05
2003/0181825 A1	9/2003	Büttner	
2004/0133146 A1	7/2004	Broek et al.	
2006/0259006 A1 *	11/2006	McKay et al.	604/506

* cited by examiner

Primary Examiner—Louis S Zarfaz

Assistant Examiner—Eric L Goodman

(74) *Attorney, Agent, or Firm*—Wood, Herron & Evans, LLP

(57) **CLAIM**

The ornamental design for a movable member for a medical fluid reservoir, as shown and described.

DESCRIPTION

FIG. 1 is a perspective view of an embodiment of my new, original and ornamental design;

FIG. 2 is a front view thereof, the rear, top and bottom views thereof being identical thereto;

FIG. 3 is a right side view thereof; and

FIG. 4 is a left side view thereof;

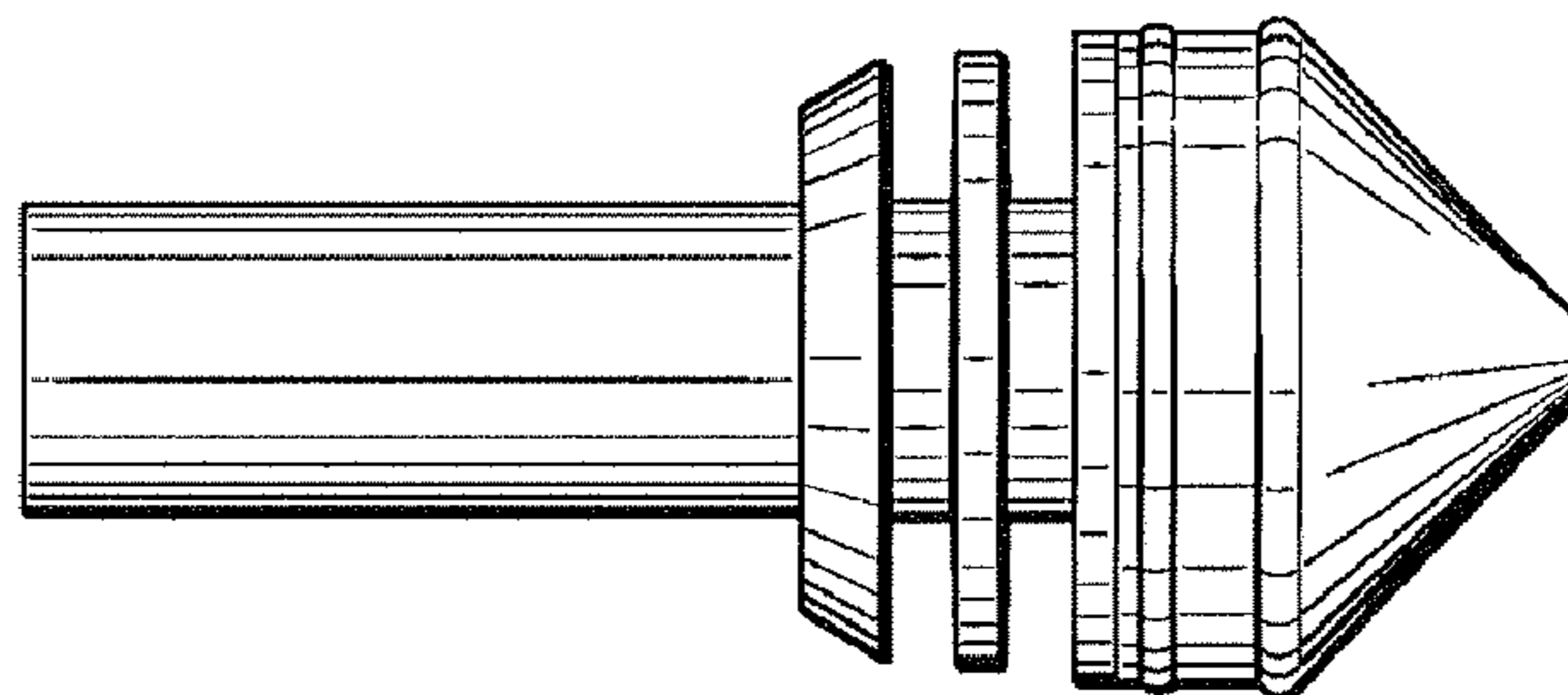
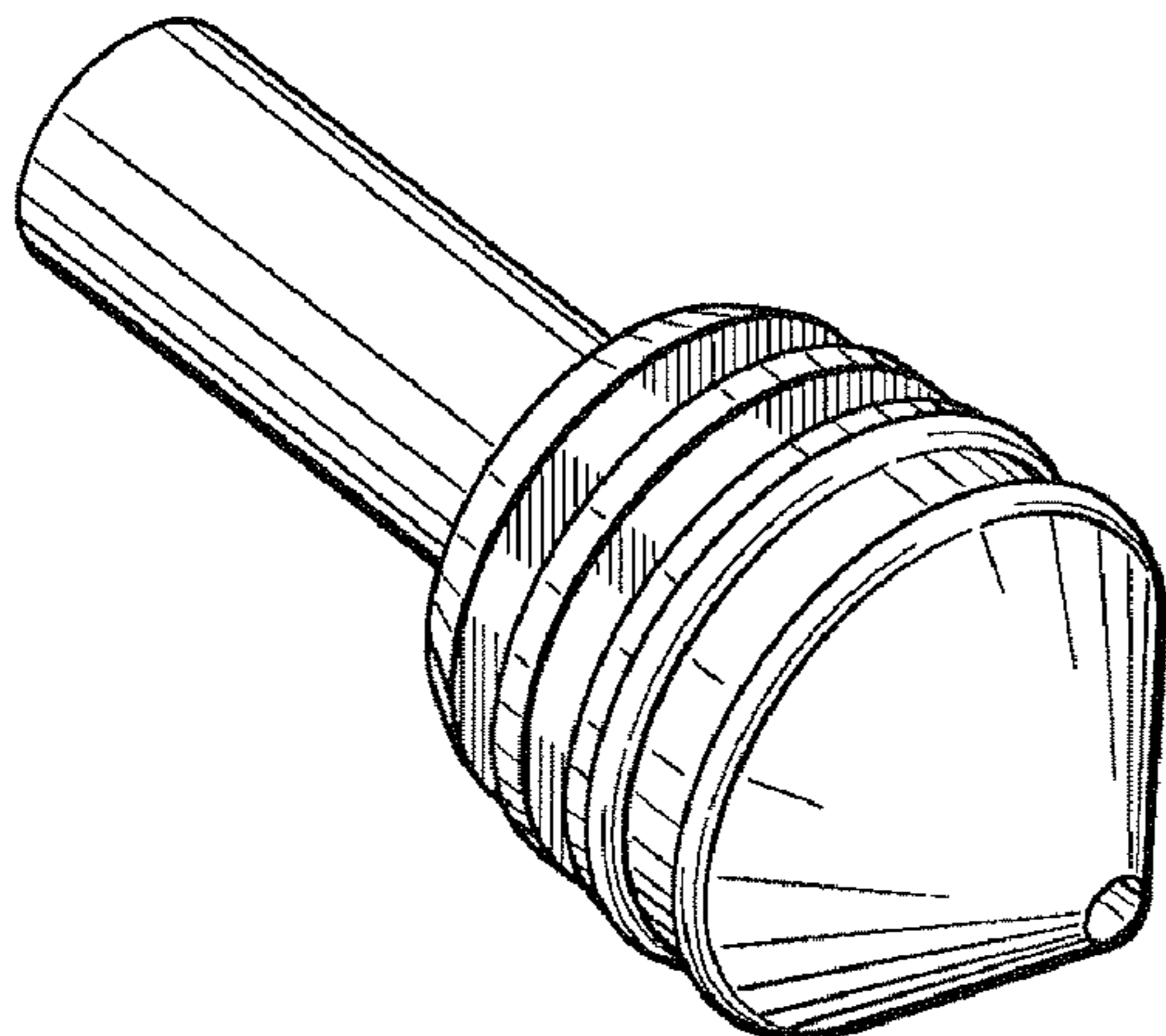
FIG. 5 is a perspective view of an alternative embodiment of my new, original and ornamental design;

FIG. 6 is a front view of the embodiment of FIG. 5, the rear, top and bottom views thereof being identical thereto;

FIG. 7 is a right side view of the embodiment of FIG. 5; and,

FIG. 8 is a left side view of the embodiment of FIG. 5.

1 Claim, 2 Drawing Sheets



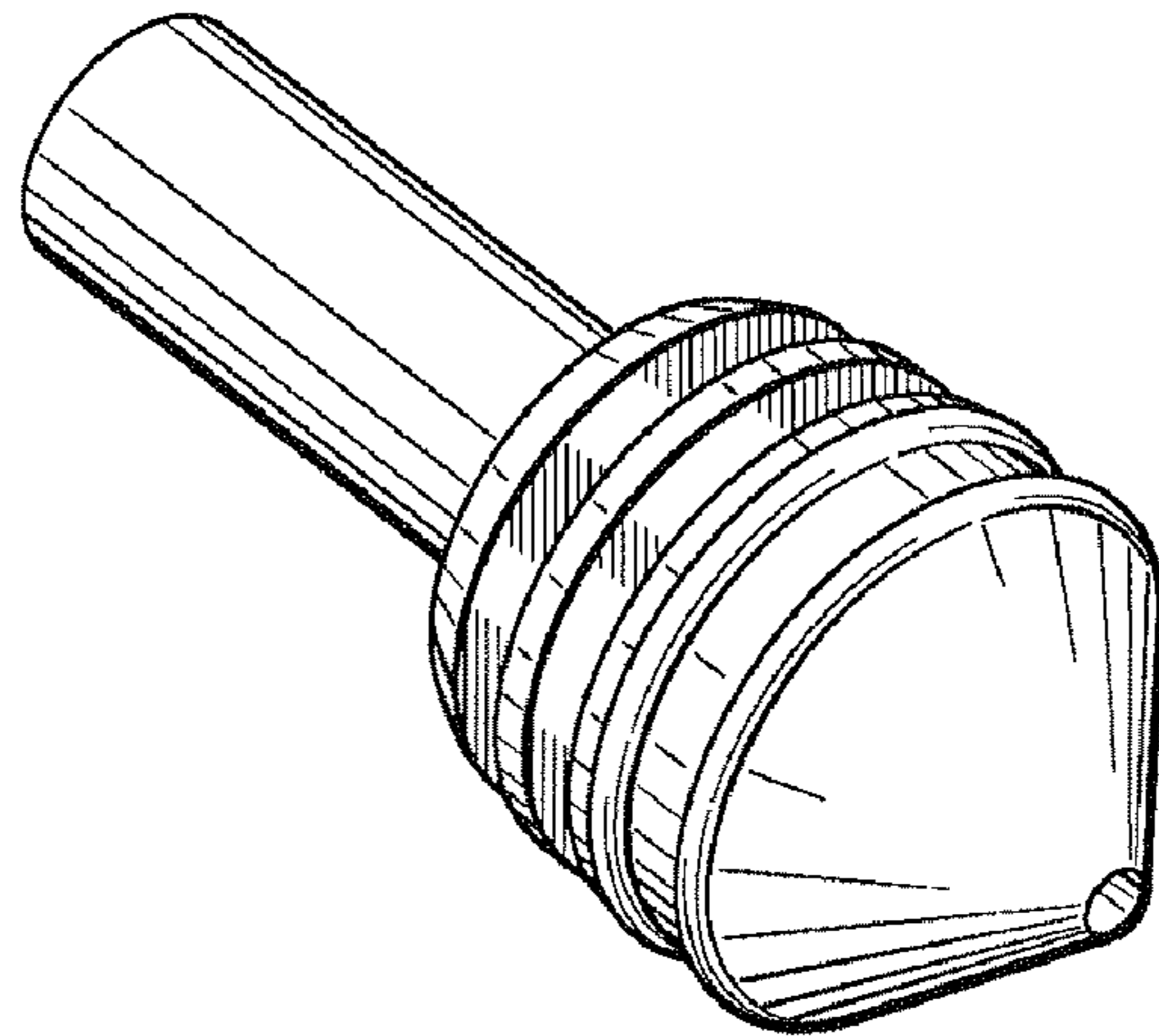


FIG. 1

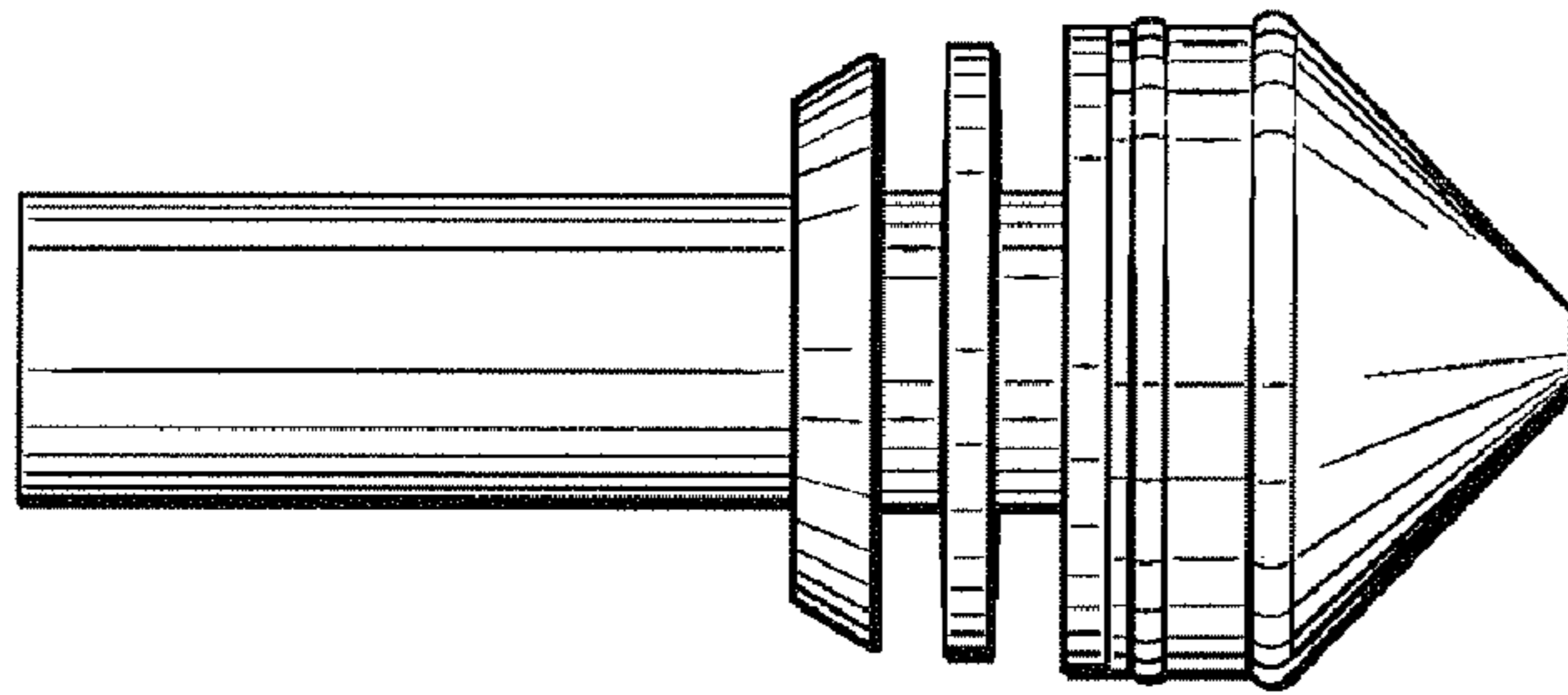


FIG. 2

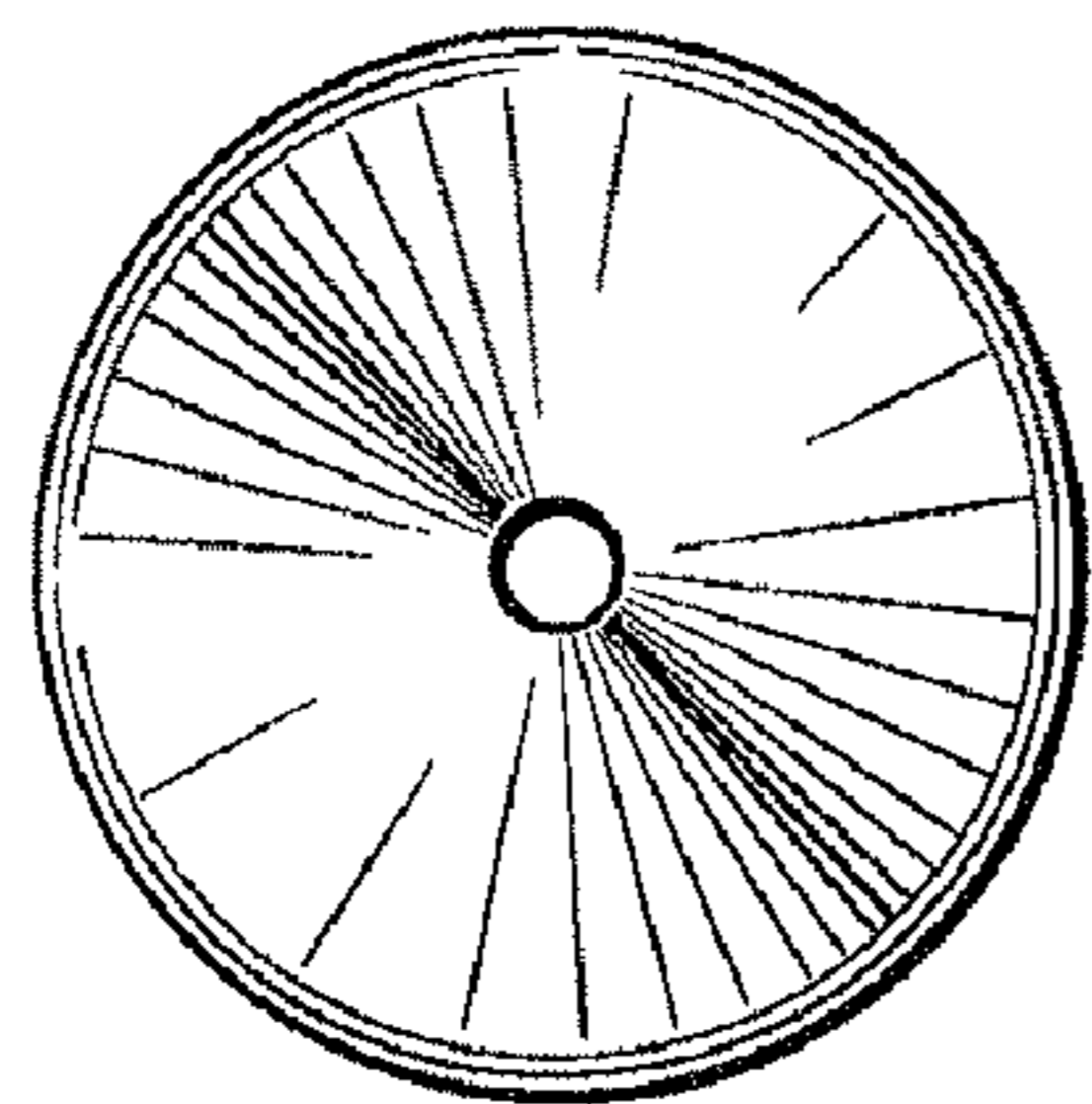


FIG. 3

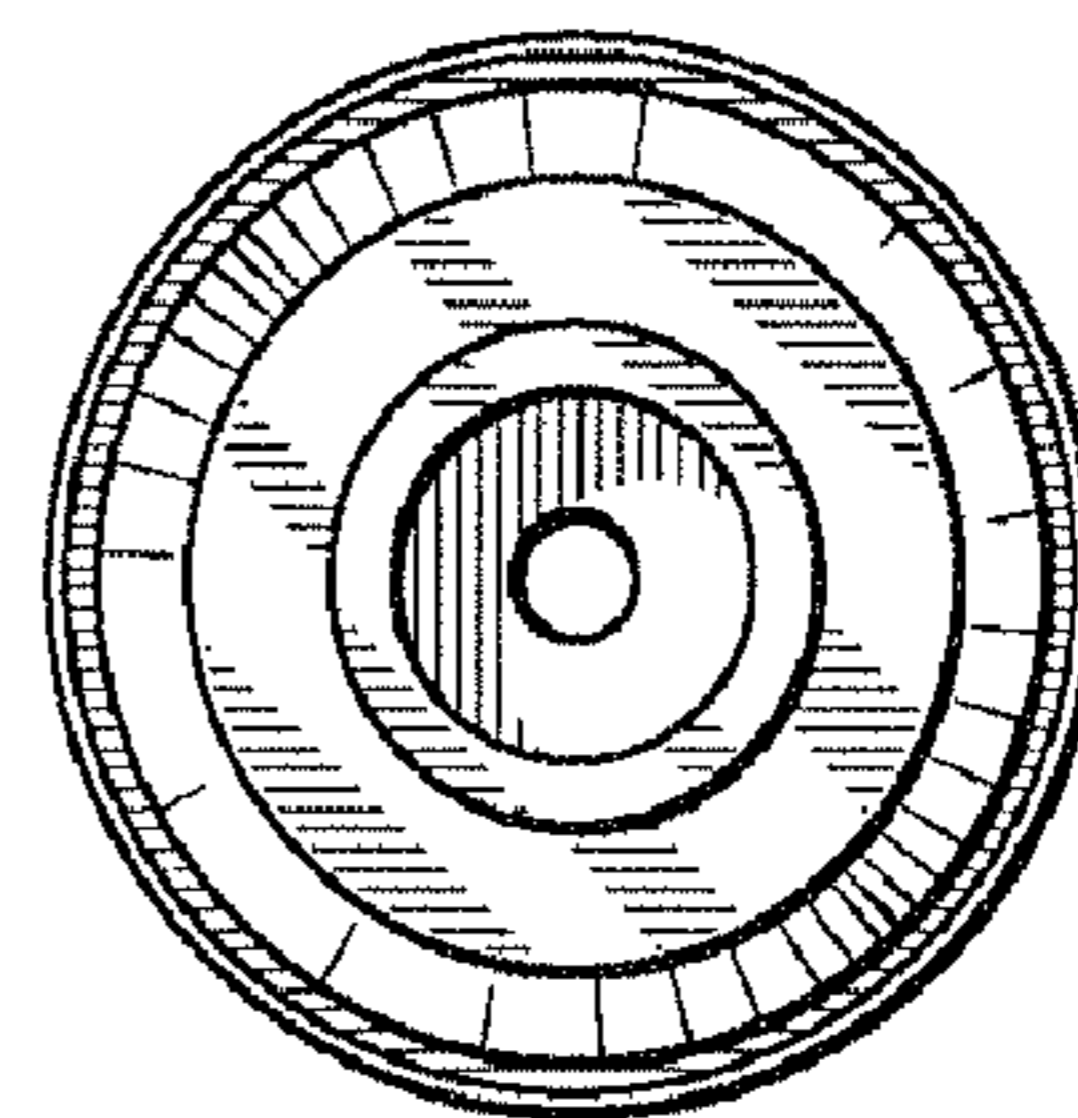


FIG. 4

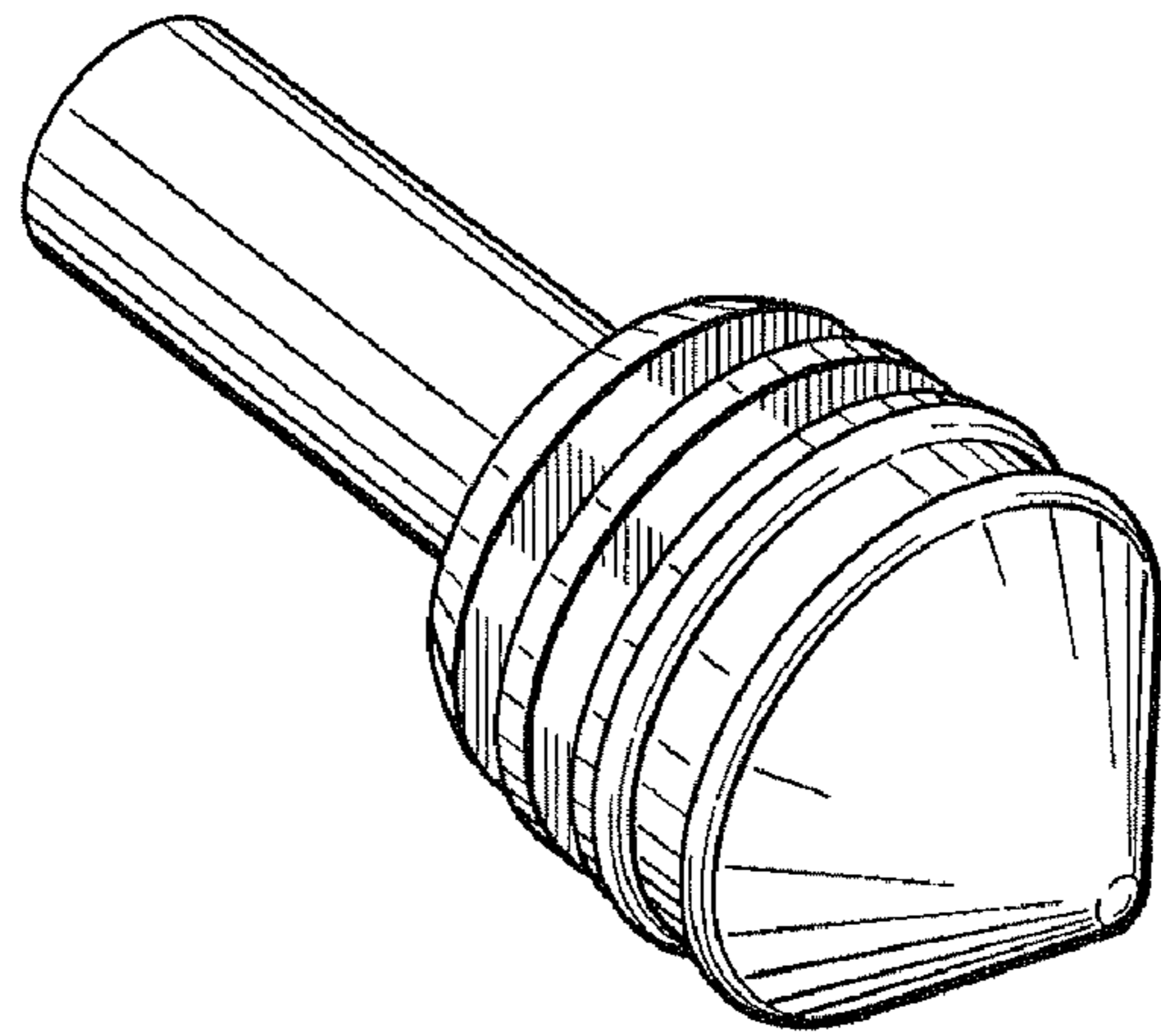


FIG. 5

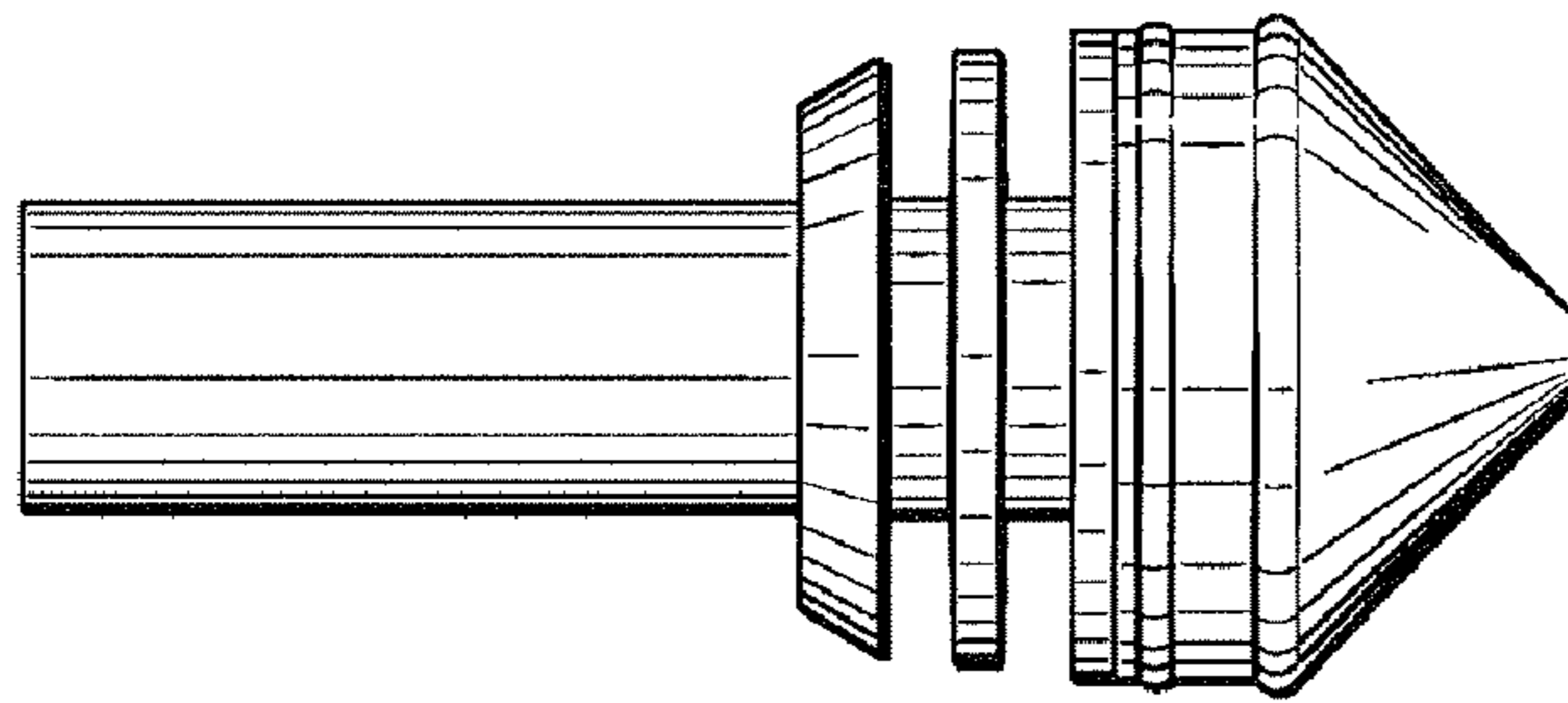


FIG. 6

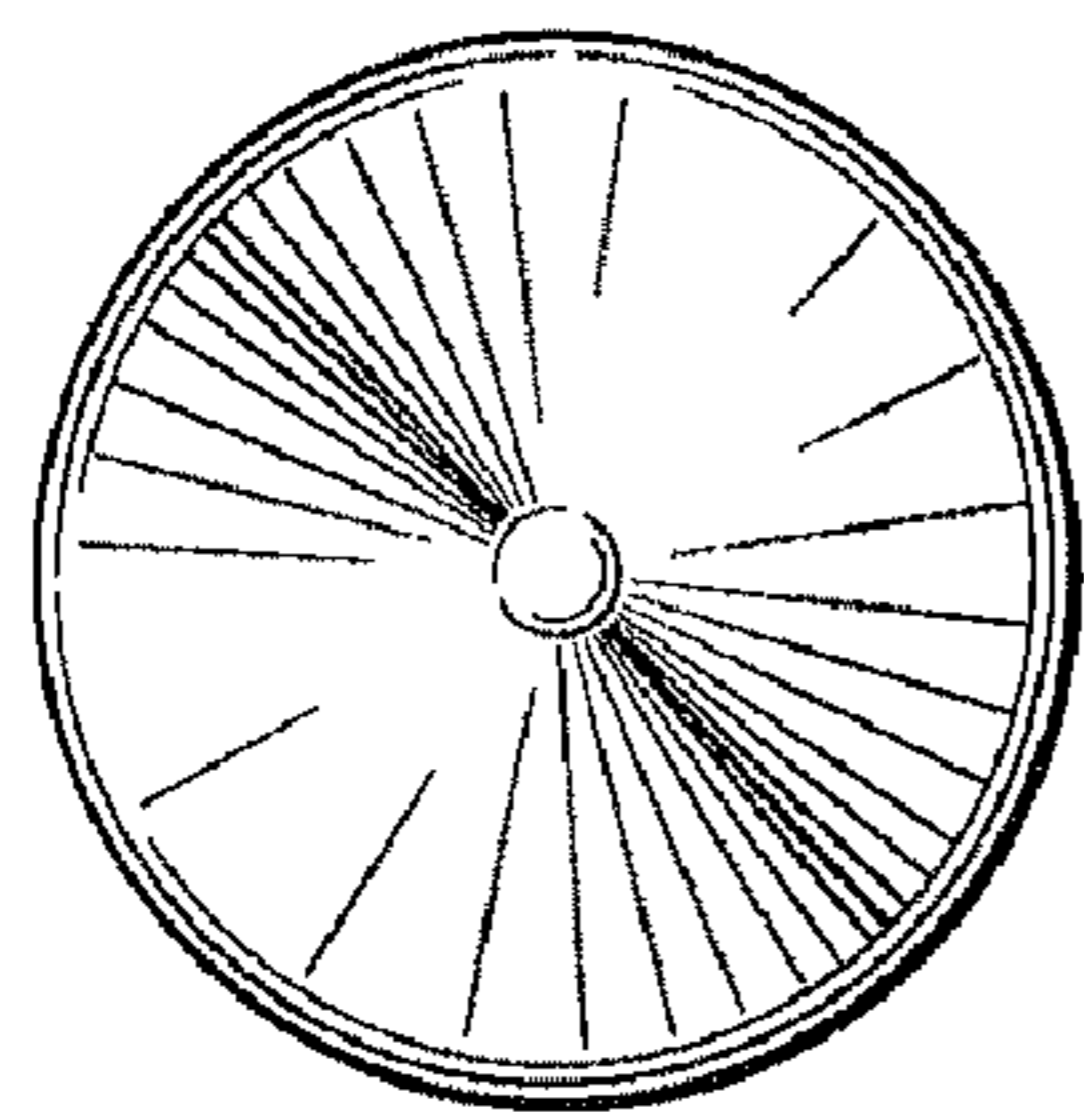


FIG. 7

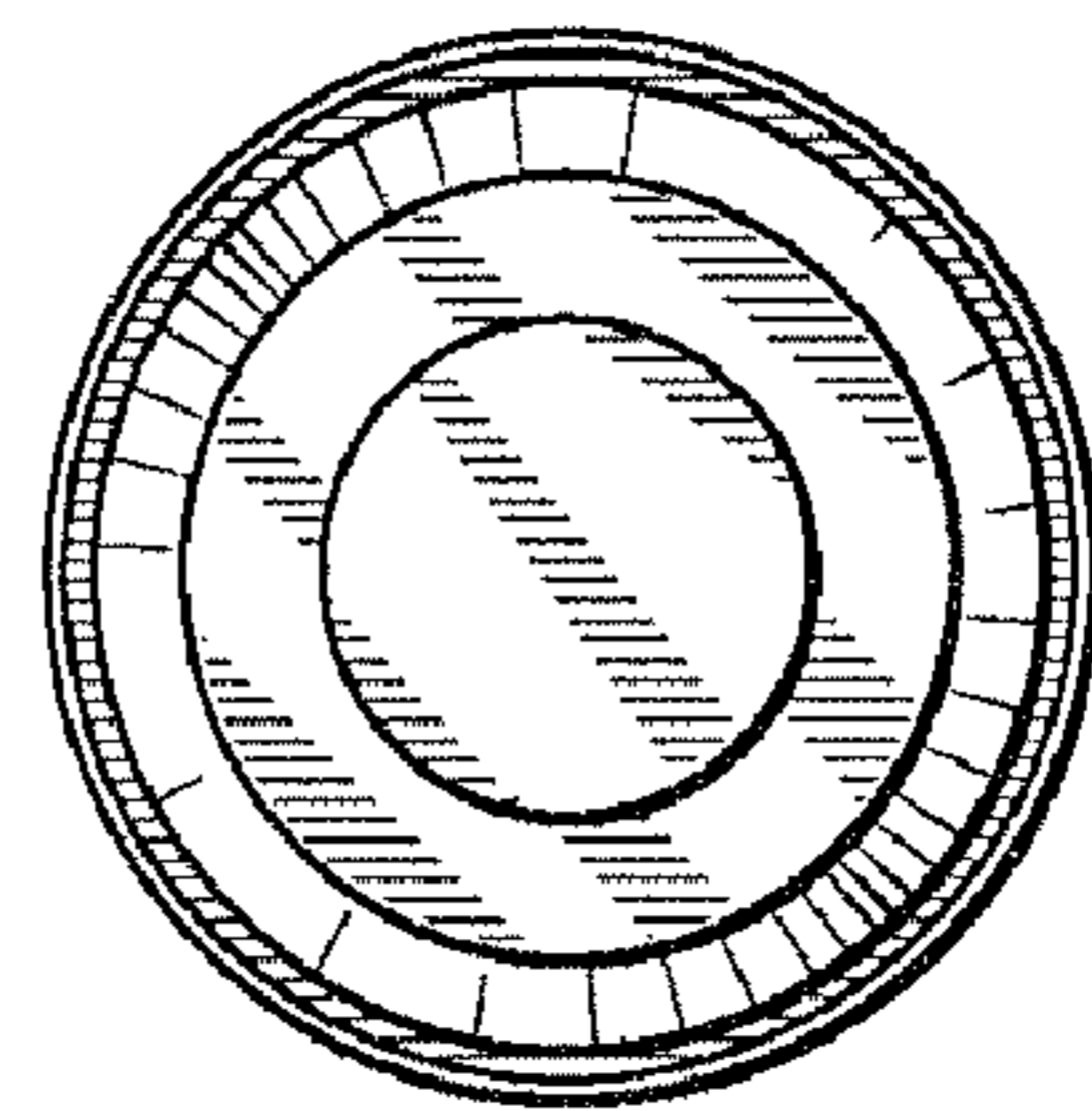


FIG. 8

UNITED STATES PATENT AND TRADEMARK OFFICE
CERTIFICATE OF CORRECTION

PATENT NO. : Des. 574,490 S
APPLICATION NO. : 29/280831
DATED : August 5, 2008
INVENTOR(S) : Charles R. Patzer

Page 1 of 1

It is certified that error appears in the above-identified patent and that said Letters Patent is hereby corrected as shown below:

On the title page item [56] add:

References Cited

Page 1

Foreign Patent Documents

NL0076771	11/16/1954	Claasen
EP0575917	B1 12/29/1993	pvb medizintechnik gmbh
EP1316289	A1 06/04/2007	Smiths Medical Deutschland GmbH

Signed and Sealed this

Ninth Day of December, 2008



JON W. DUDAS

Director of the United States Patent and Trademark Office