



US00D574488S

(12) **United States Design Patent**
Chauvin

(10) **Patent No.:** **US D574,488 S**

(45) **Date of Patent:** **** Aug. 5, 2008**

(54) **ORAL MEDICINE DISPENSER**

(75) Inventor: **Marc Chauvin**, 23106 Enchanted
Landing La., Katy, TX (US) 77494

(73) Assignee: **Marc Chauvin**, Katy, TX (US)

(**) Term: **14 Years**

(21) Appl. No.: **29/240,413**

(22) Filed: **Oct. 13, 2005**

(51) **LOC (8) Cl.** **24-04**

(52) **U.S. Cl.** **D24/121; D7/510**

(58) **Field of Classification Search** D24/121,
D24/107, 108, 197; D7/510, 507, 523, 511,
D7/900; D9/523; 220/288

See application file for complete search history.

(56) **References Cited**

U.S. PATENT DOCUMENTS

| | | | | |
|-------------------|---------|------------------|-------|---------|
| D290,323 S * | 6/1987 | Weernink | | D7/511 |
| D310,567 S * | 9/1990 | Fitzpatrick | | D24/197 |
| D359,417 S * | 6/1995 | Chen | | D7/510 |
| D359,882 S * | 7/1995 | Birge, Jr. | | D7/510 |
| D361,469 S * | 8/1995 | Young | | D7/510 |
| D363,852 S * | 11/1995 | Young | | D7/900 |
| D390,785 S * | 2/1998 | Saunders et al. | | D9/523 |
| D407,269 S * | 3/1999 | Fletcher | | D7/510 |
| D419,029 S * | 1/2000 | Randolph | | D7/510 |
| D435,906 S * | 1/2001 | Wilkinson et al. | | D24/121 |
| D444,874 S * | 7/2001 | Haffner et al. | | D24/121 |
| D528,860 S * | 9/2006 | McGrath | | D7/510 |
| D546,626 S * | 7/2007 | Chou | | D7/523 |
| D559,622 S * | 1/2008 | Carreno | | D7/510 |
| 2003/0192891 A1 * | 10/2003 | Ziegler | | 220/288 |

* cited by examiner

Primary Examiner—Louis S Zarfaz
Assistant Examiner—David G Muller

(74) *Attorney, Agent, or Firm*—Charles S. Knobloch; Arnold & Knobloch, L.L.P.

(57) **CLAIM**

The ornamental design for an oral medicine dispenser, as shown and described.

DESCRIPTION

FIG. 1 is a perspective view of the oral medicine dispenser.

FIG. 2 is a side elevation view of the dispenser.

FIG. 3 is a top plan view of the dispenser.

FIG. 4 is a side elevation view of the dispenser.

FIG. 5 is a bottom plan view of the dispenser.

FIG. 6 is a side elevation view of the dispenser.

FIG. 7 is a bottom view inside the cap.

FIG. 8 is a side sectional view of the cap, taken from line 8—8 of FIG. 7.

FIG. 9 is a plan view of the flexible member of the dispenser.

FIG. 10 is a plan view of the opposite side of the flexible member.

FIG. 11 is a side elevation view of the flexible member of the dispenser.

FIG. 12 is another elevation view of the flexible member of the dispenser.

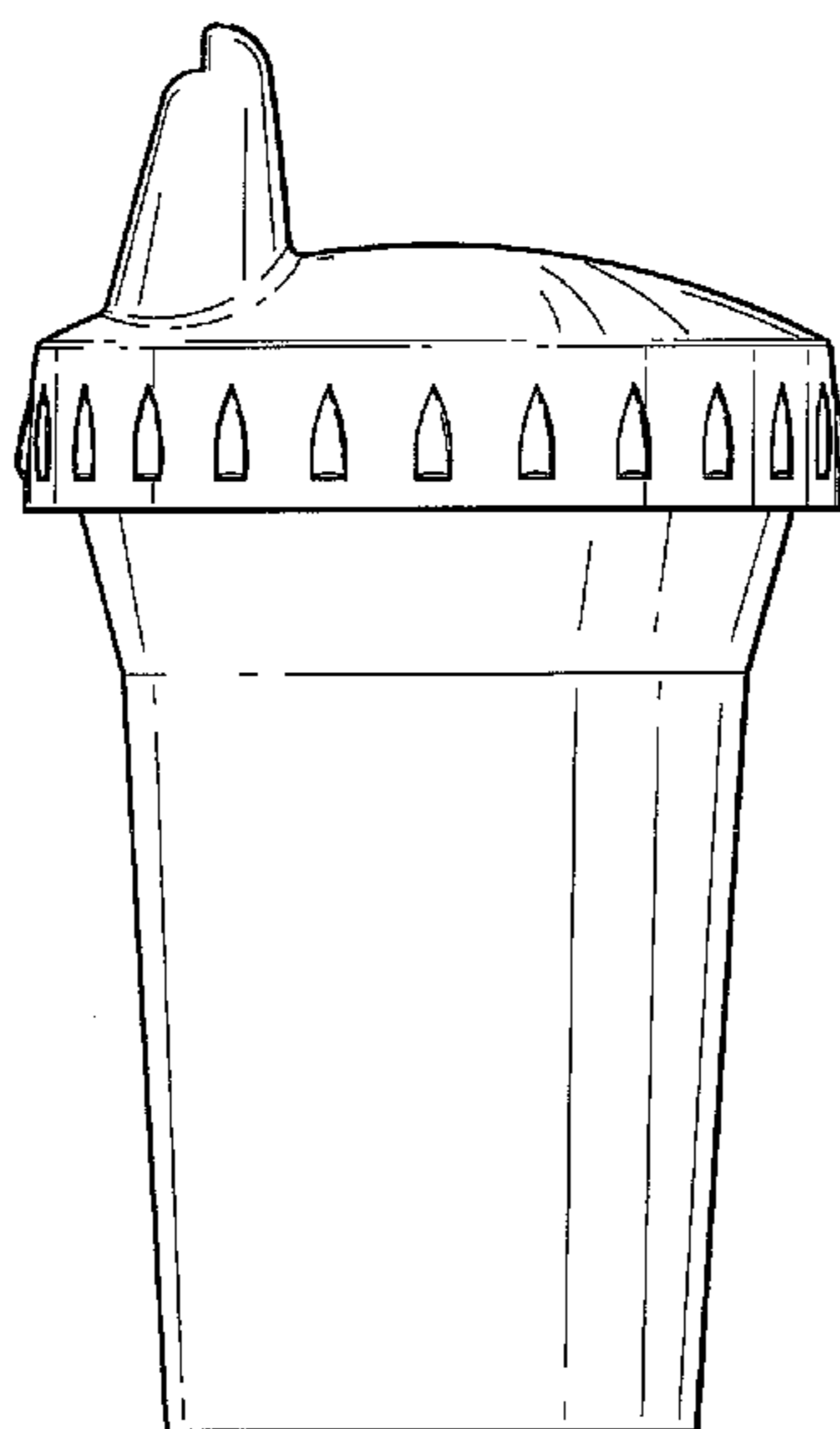
FIG. 13 is another elevation view of the flexible member of the dispenser.

FIG. 14 is a side sectional view of the flexible member, taken from line 14—14 of FIG. 9.

FIG. 15 is a plan view of the flexible member positioned on the inside of the cap; and,

FIG. 16 is a side sectional view of the flexible member positioned on the inside of the cap, taken from line 16—16 of FIG. 15.

1 Claim, 5 Drawing Sheets



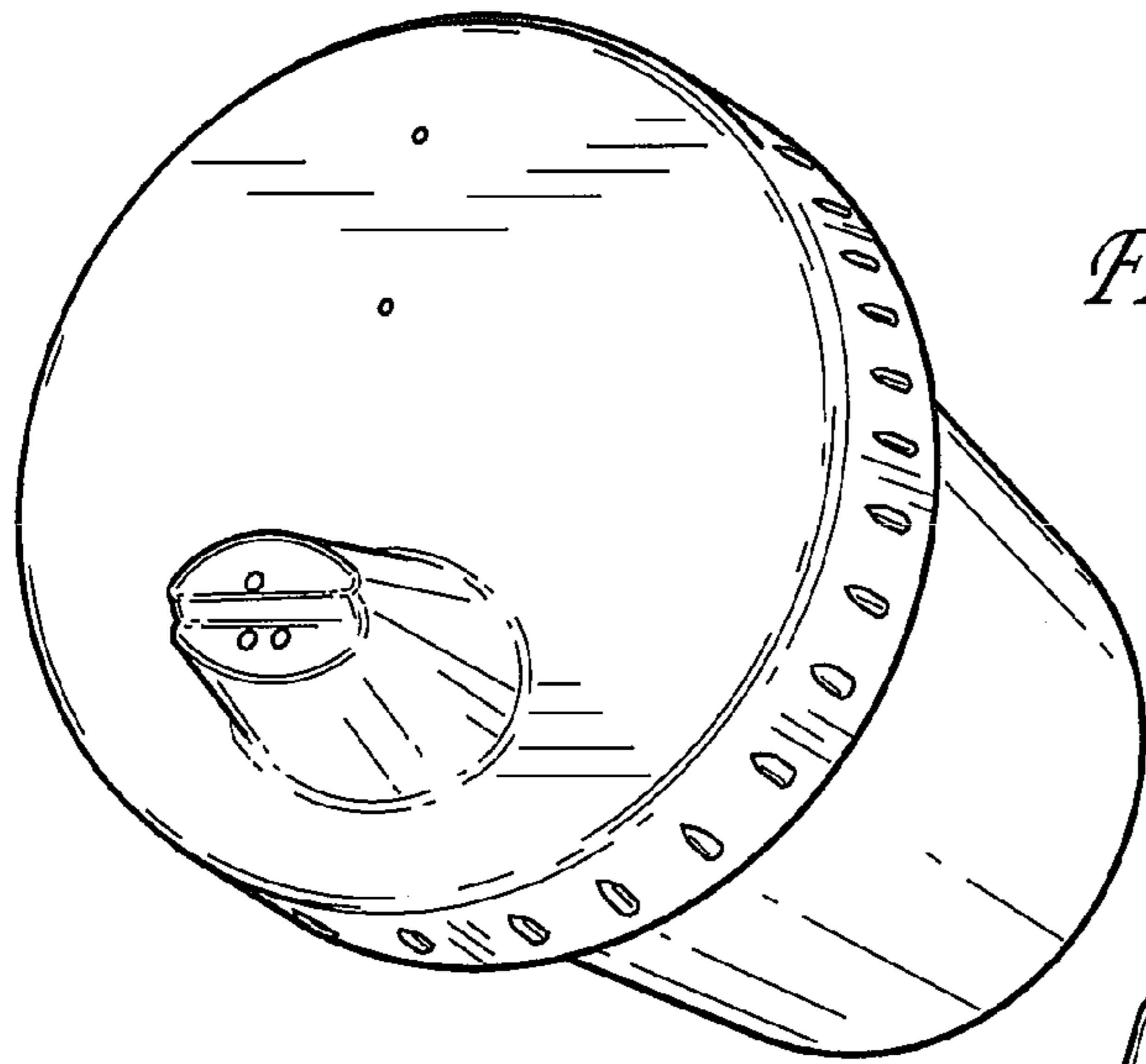


FIG. 1

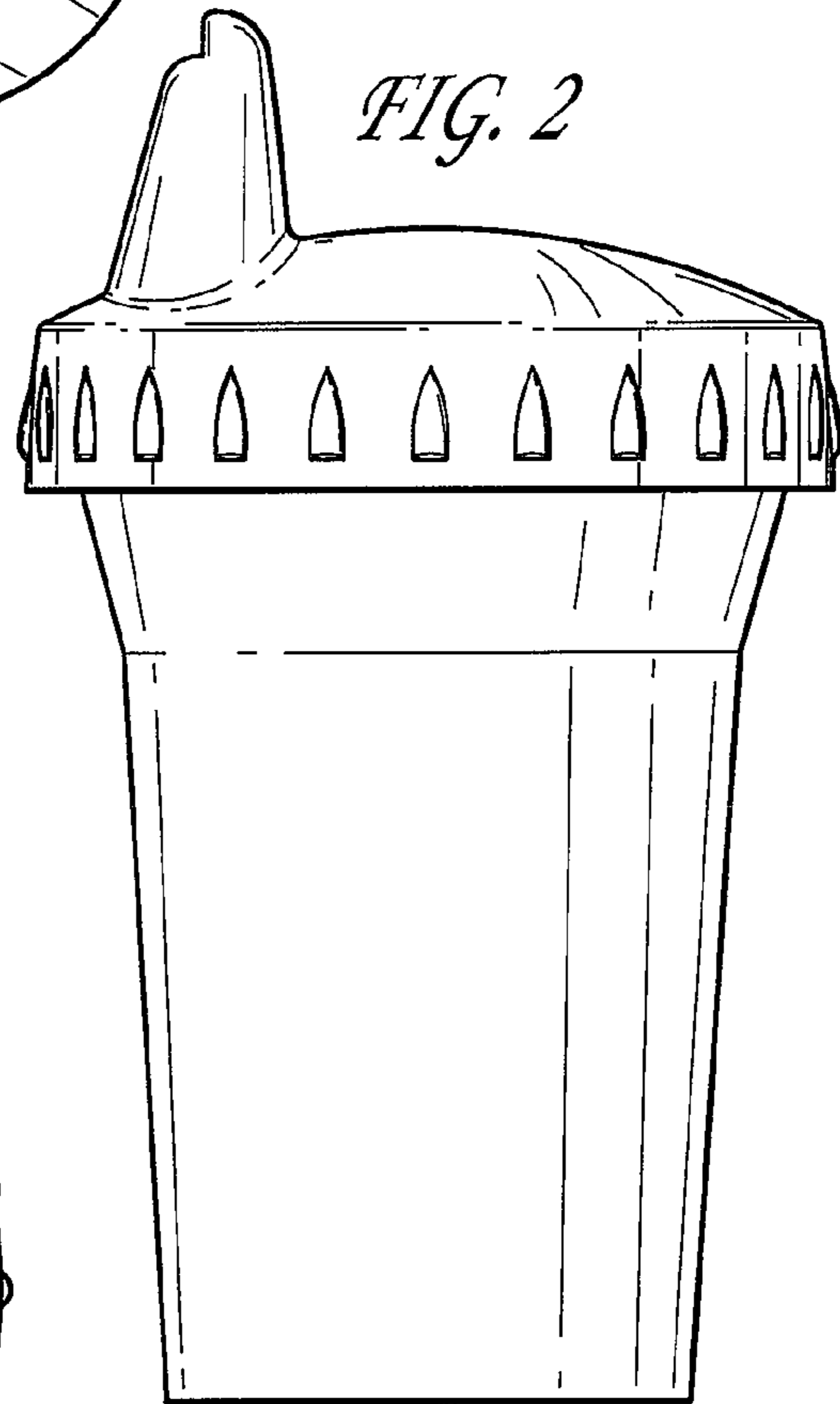


FIG. 2

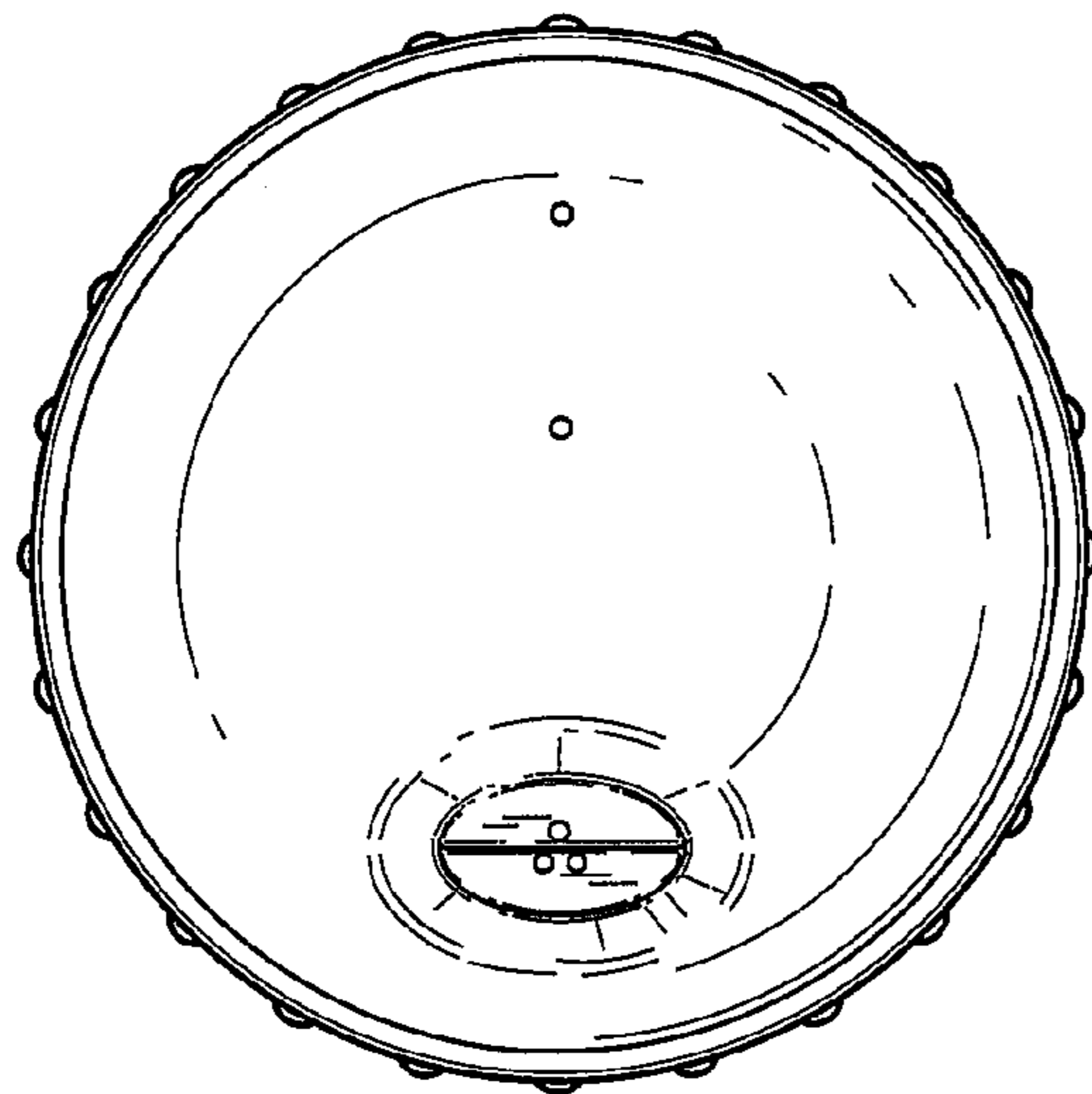
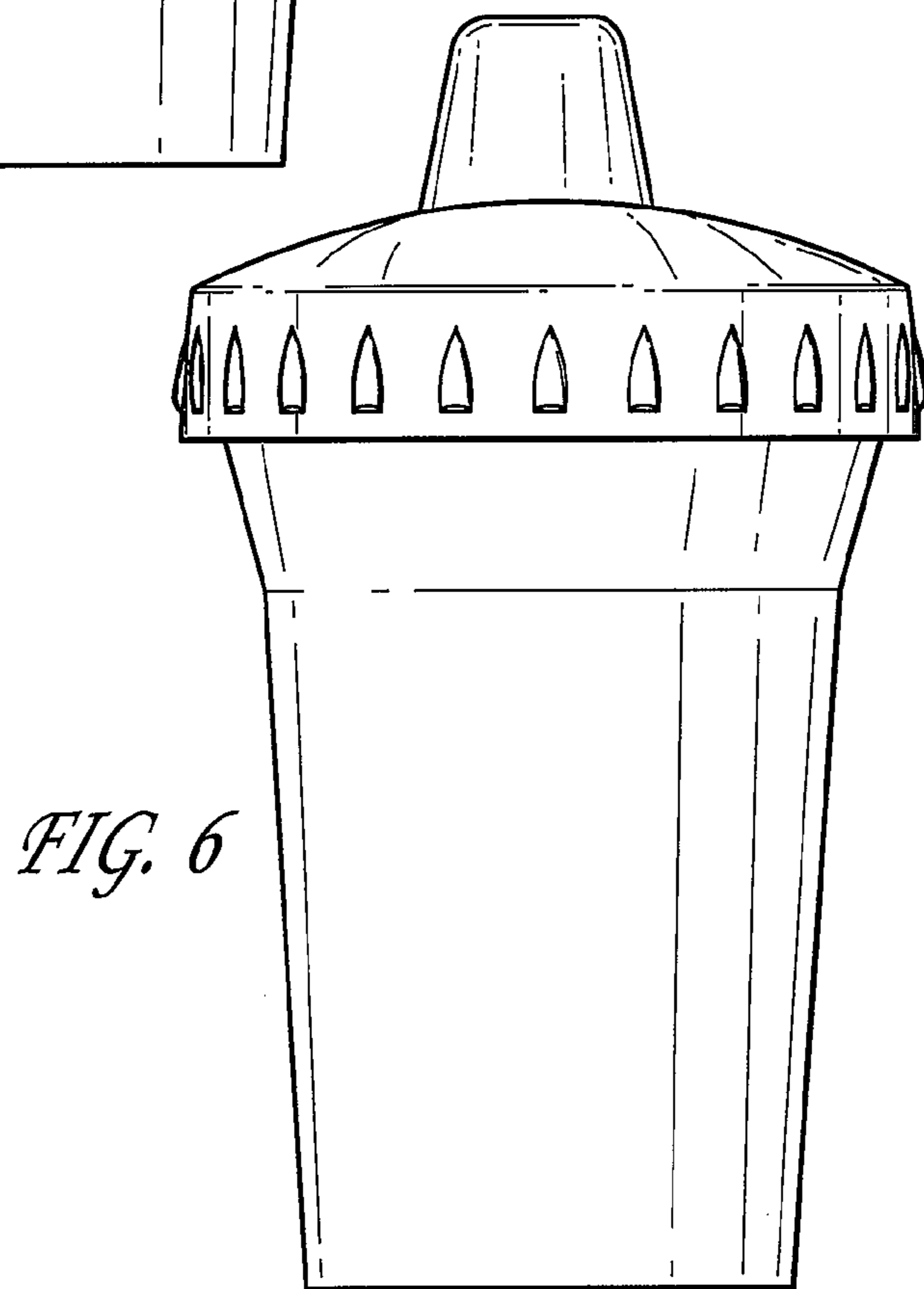
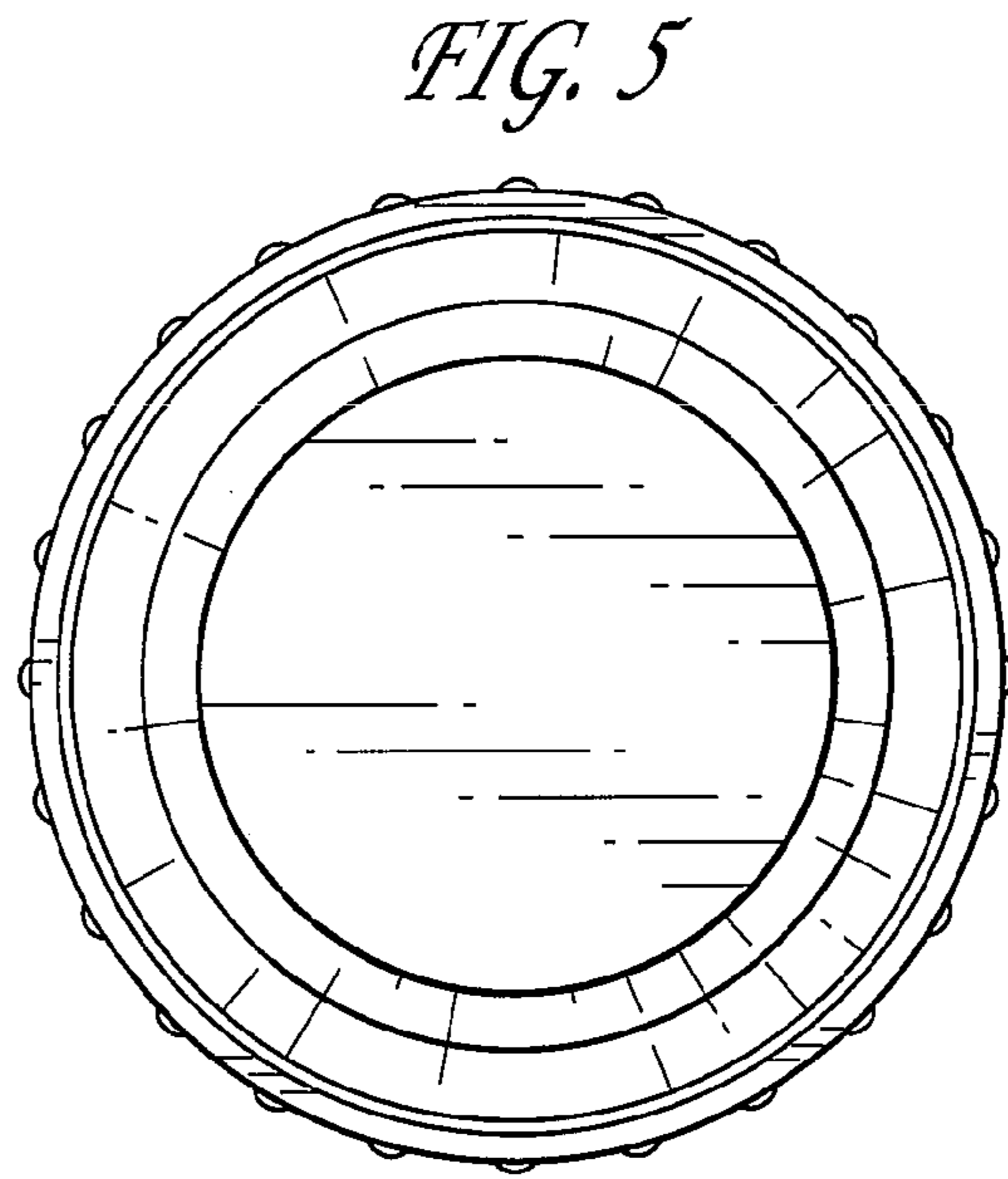
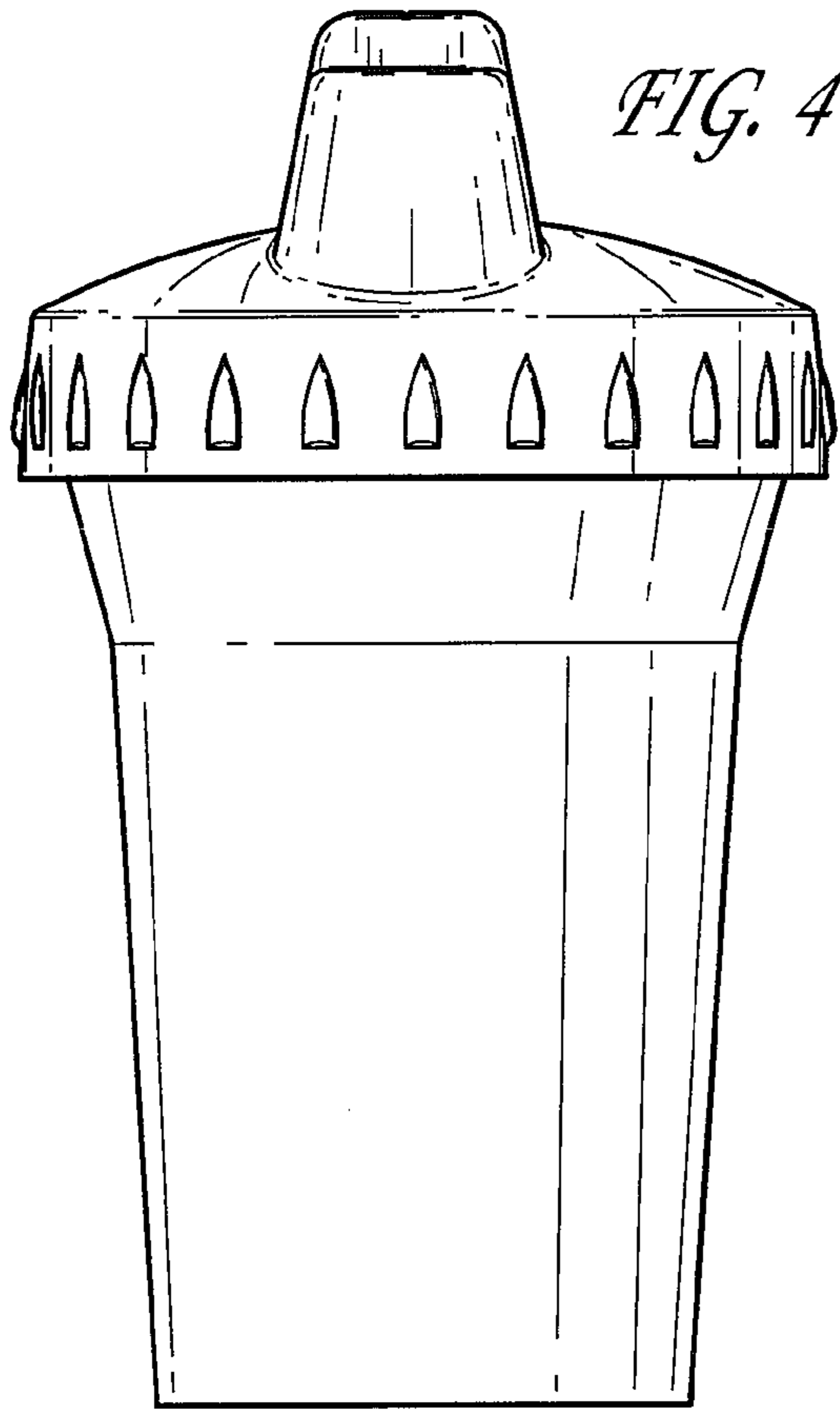


FIG. 3



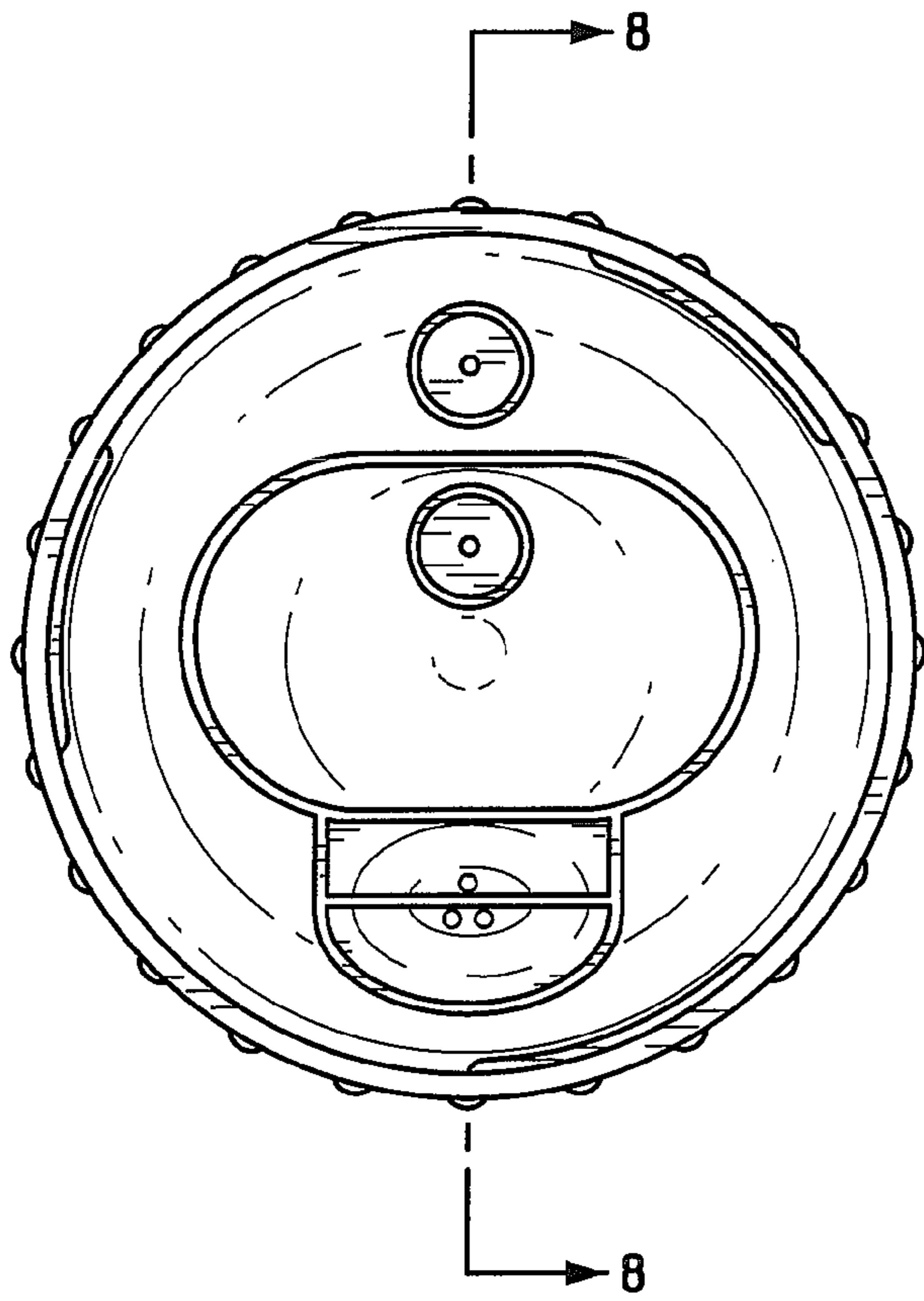


FIG. 7

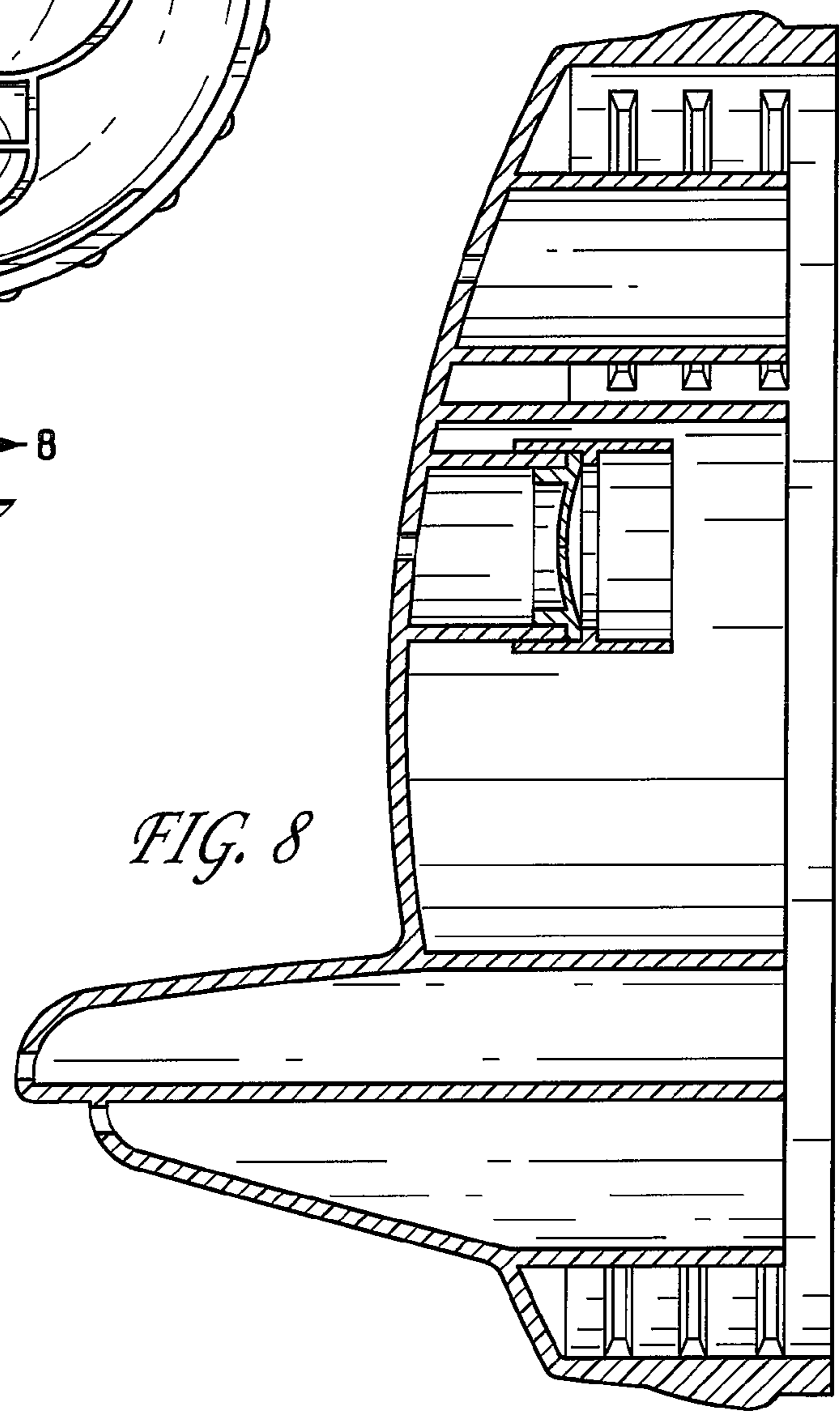


FIG. 8

FIG. 12

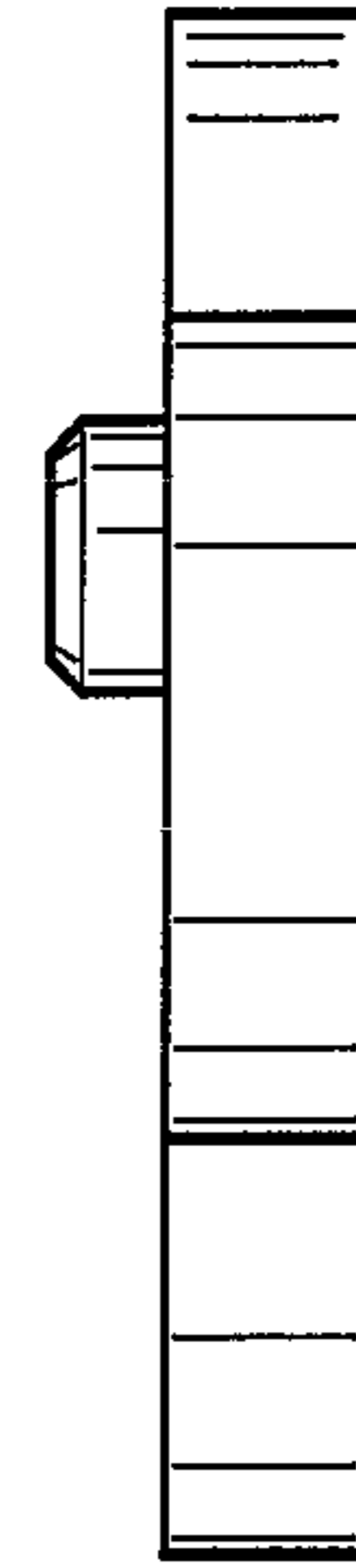
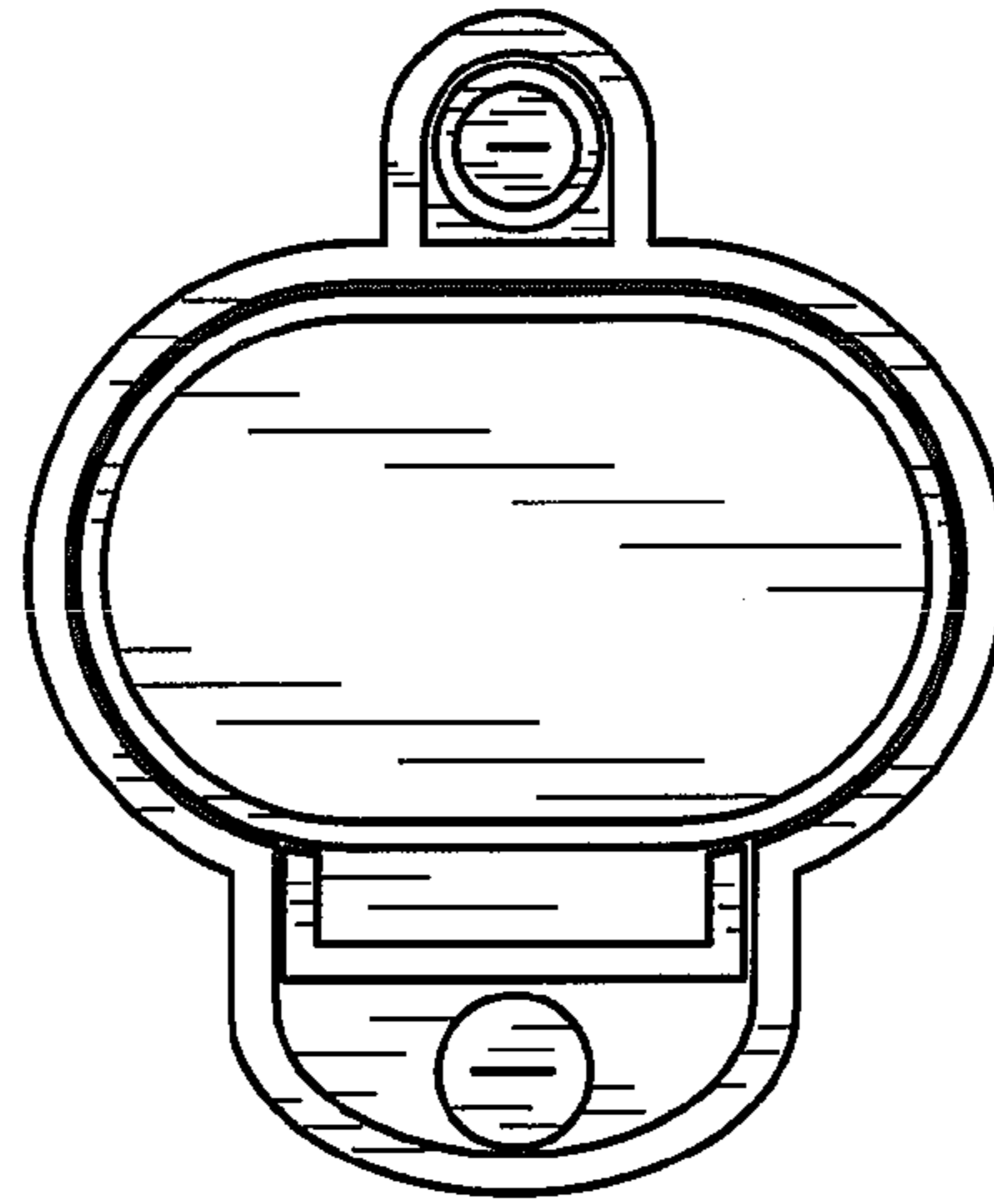
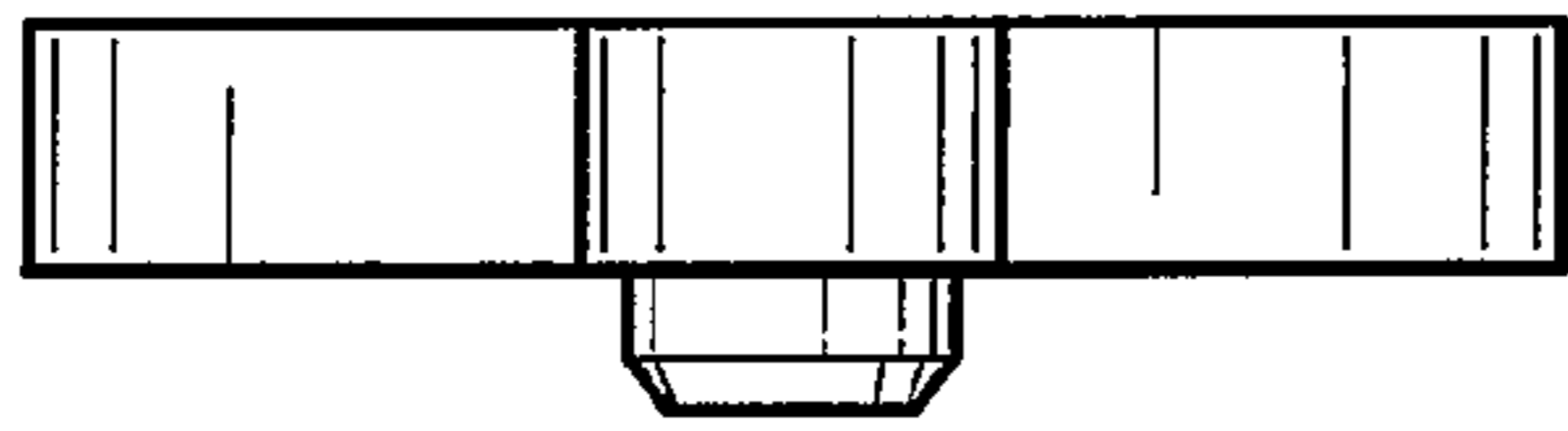


FIG. 10

FIG. 11

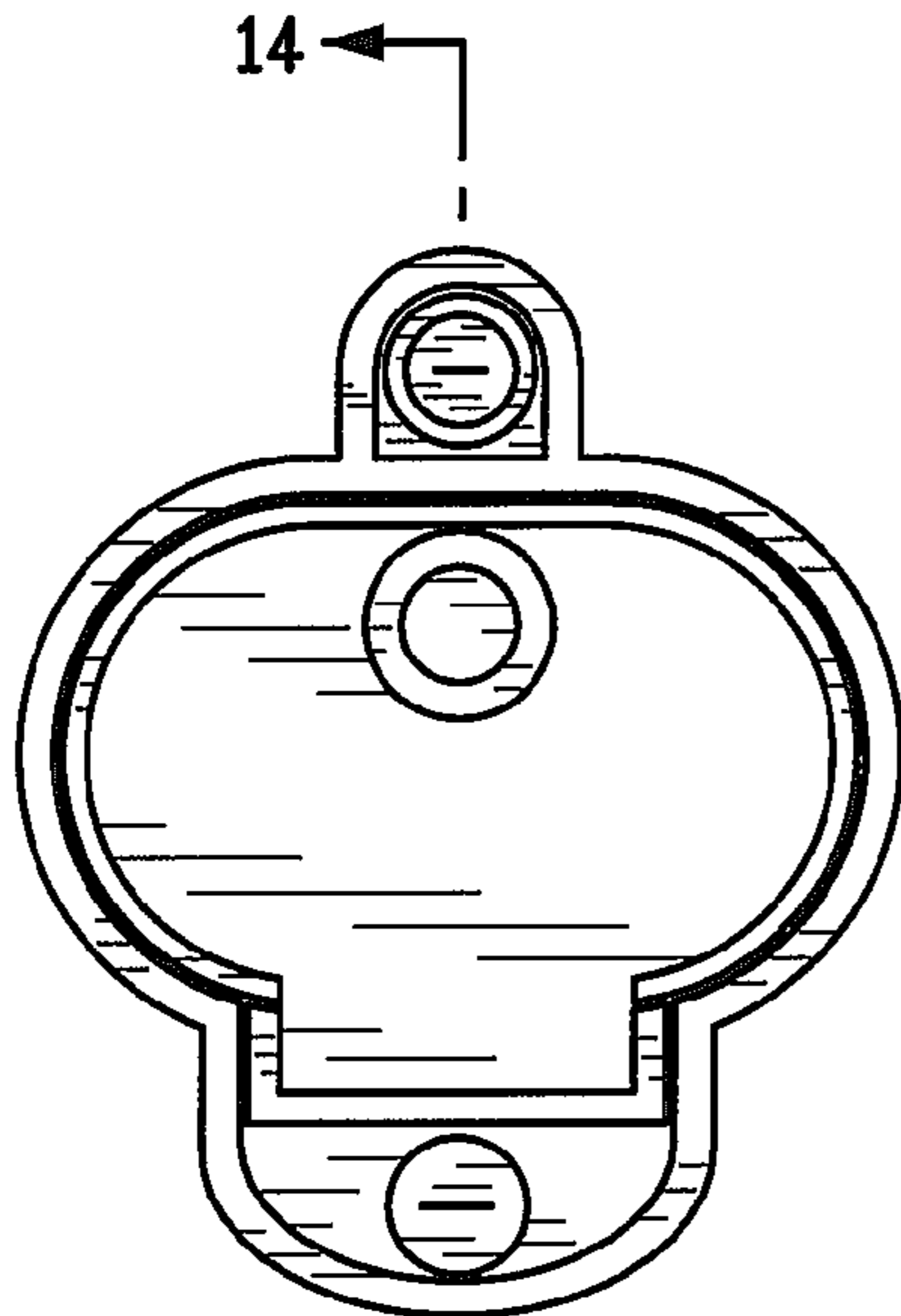


FIG. 9

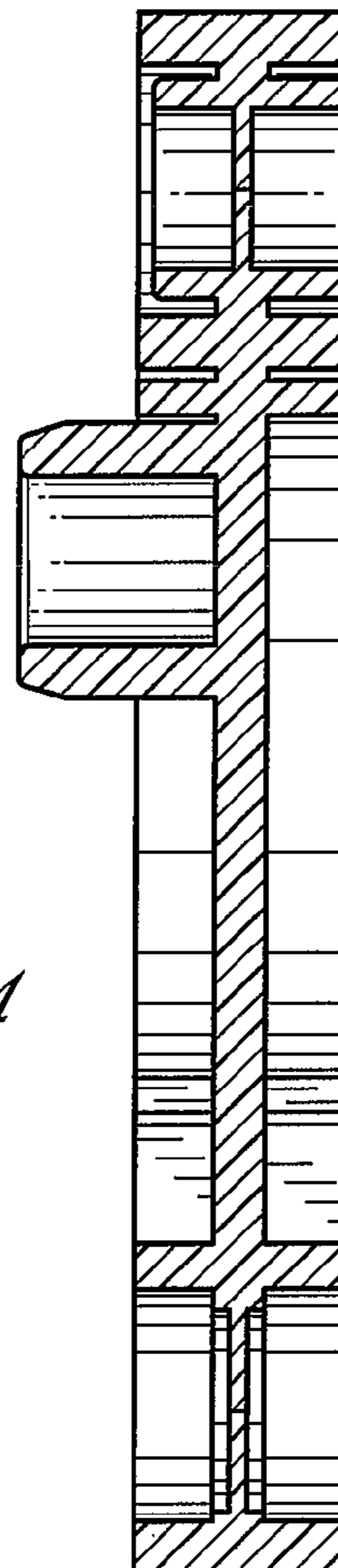


FIG. 14

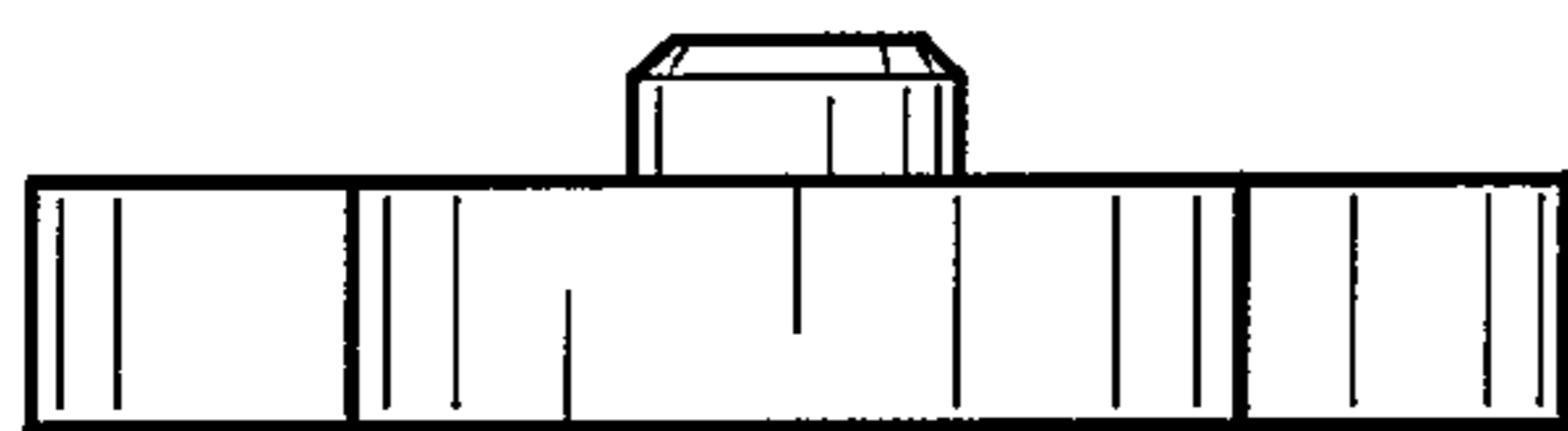


FIG. 13

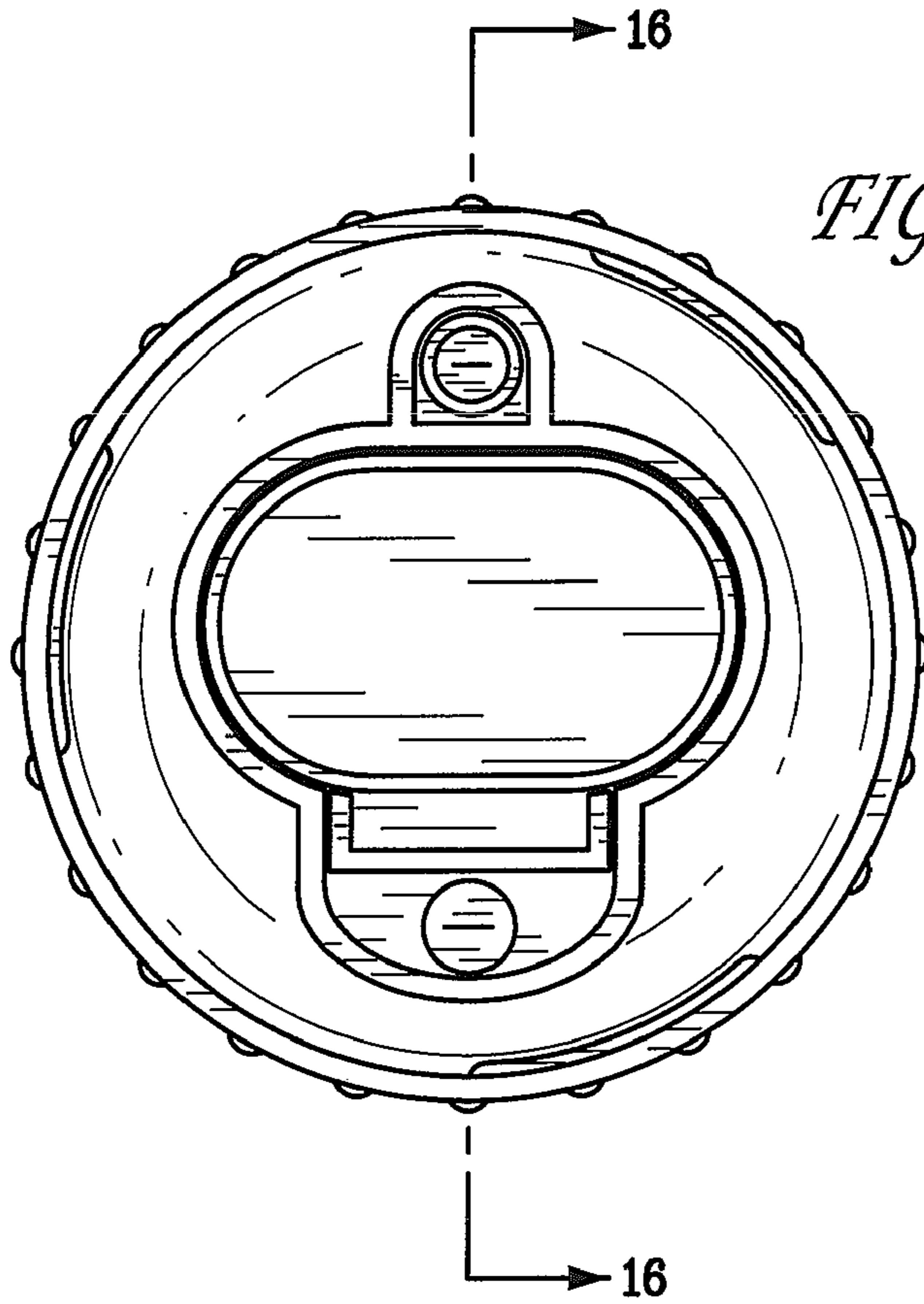


FIG. 15

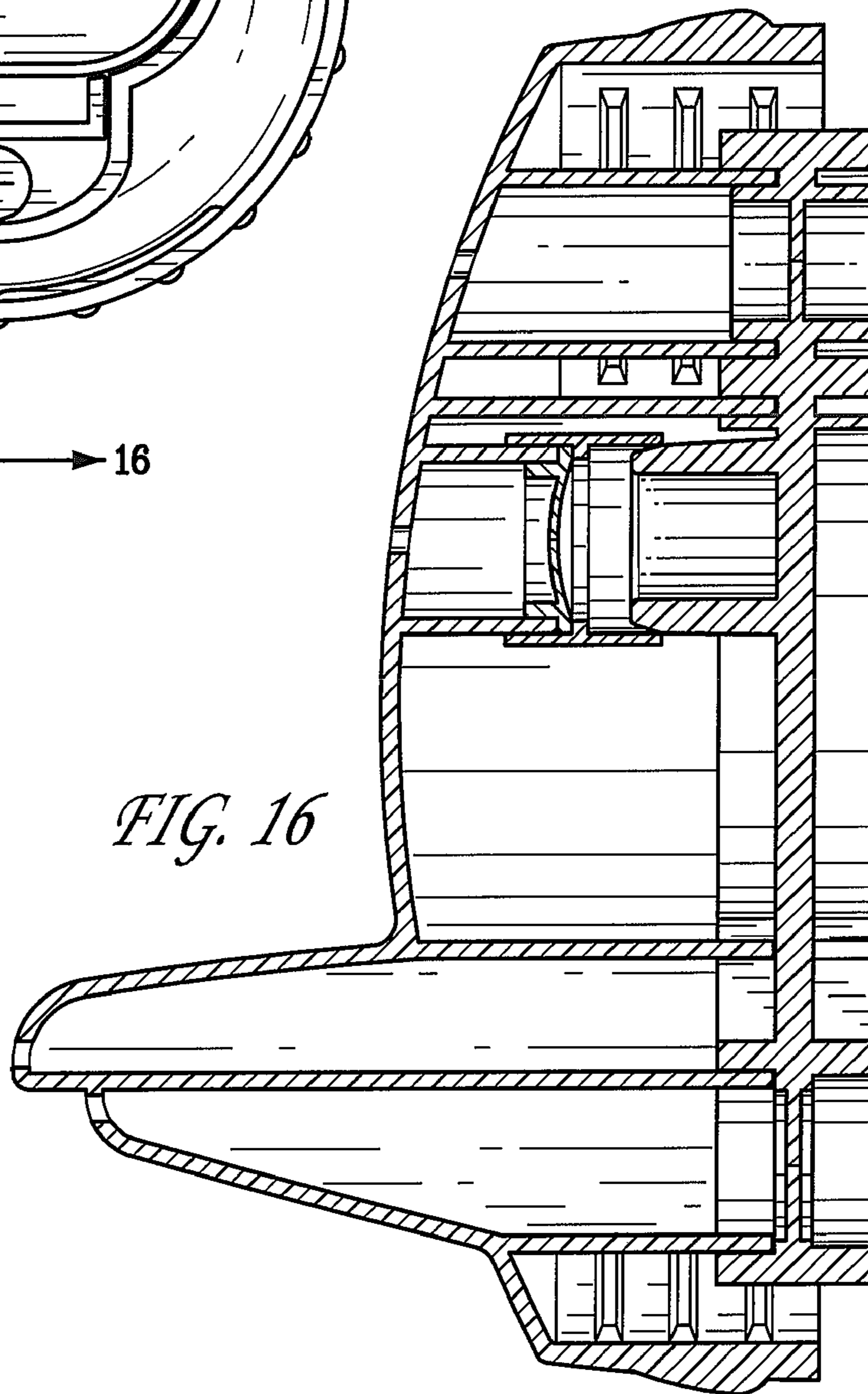


FIG. 16