



US00D574487S

(12) **United States Design Patent**
Edhouse et al.

(10) **Patent No.:** **US D574,487 S**

(45) **Date of Patent:** **** Aug. 5, 2008**

(54) **FACE MASK**

(75) Inventors: **Mark Jeffrey Edhouse**, Auckland (NZ);
Martin Nicholas Leckie, Auckland
(NZ); **Glenn David Whyte**, Auckland
(NZ); **Mathew Robert Brent**, Auckland
(NZ)

(73) Assignee: **Fisher & Paykel Healthcare Limited**,
Auckland (NZ)

(**) Term: **14 Years**

(21) Appl. No.: **29/221,847**

(22) Filed: **Jan. 21, 2005**

(51) **LOC (8) Cl.** **29-02**

(52) **U.S. Cl.** **D24/110.4; D24/110.1**

(58) **Field of Classification Search** D24/110,
D24/110.1, 110.4, 110.5, 162; 128/205.25,
128/206.26, 206.28, 207.13, 206.21, 206.24,
128/206.25

See application file for complete search history.

(56) **References Cited**

U.S. PATENT DOCUMENTS

D303,587 S	9/1989	Quinn et al.	
D305,166 S	12/1989	Quinn et al.	
D323,908 S	2/1992	Hollister et al.	
D349,586 S	8/1994	Handke	
D389,238 S *	1/1998	Kirk et al.	D24/110.4
D397,215 S	8/1998	Hoftman	

D476,732 S	7/2003	Smart	
D492,992 S	7/2004	Guney et al.	
D493,885 S	8/2004	Raje et al.	
D499,803 S *	12/2004	Chang	D24/110.4
D506,827 S	6/2005	Jones et al.	
D507,831 S	7/2005	Rosenkranz et al.	
6,926,004 B2	8/2005	Schumacher	
2003/0034034 A1	2/2003	Kwok et al.	
2005/0150496 A1 *	7/2005	Smaldone	128/206.21

* cited by examiner

Primary Examiner—Ian Simmons
Assistant Examiner—Christopher Lee

(74) *Attorney, Agent, or Firm*—Trexler, Bushnell,
Giangiorgi, Blackstone & Marr, Ltd.

(57) **CLAIM**

The ornamental design for a face mask, as shown and described.

DESCRIPTION

FIG. 1 is a bottom plan view of the face mask according to our design;

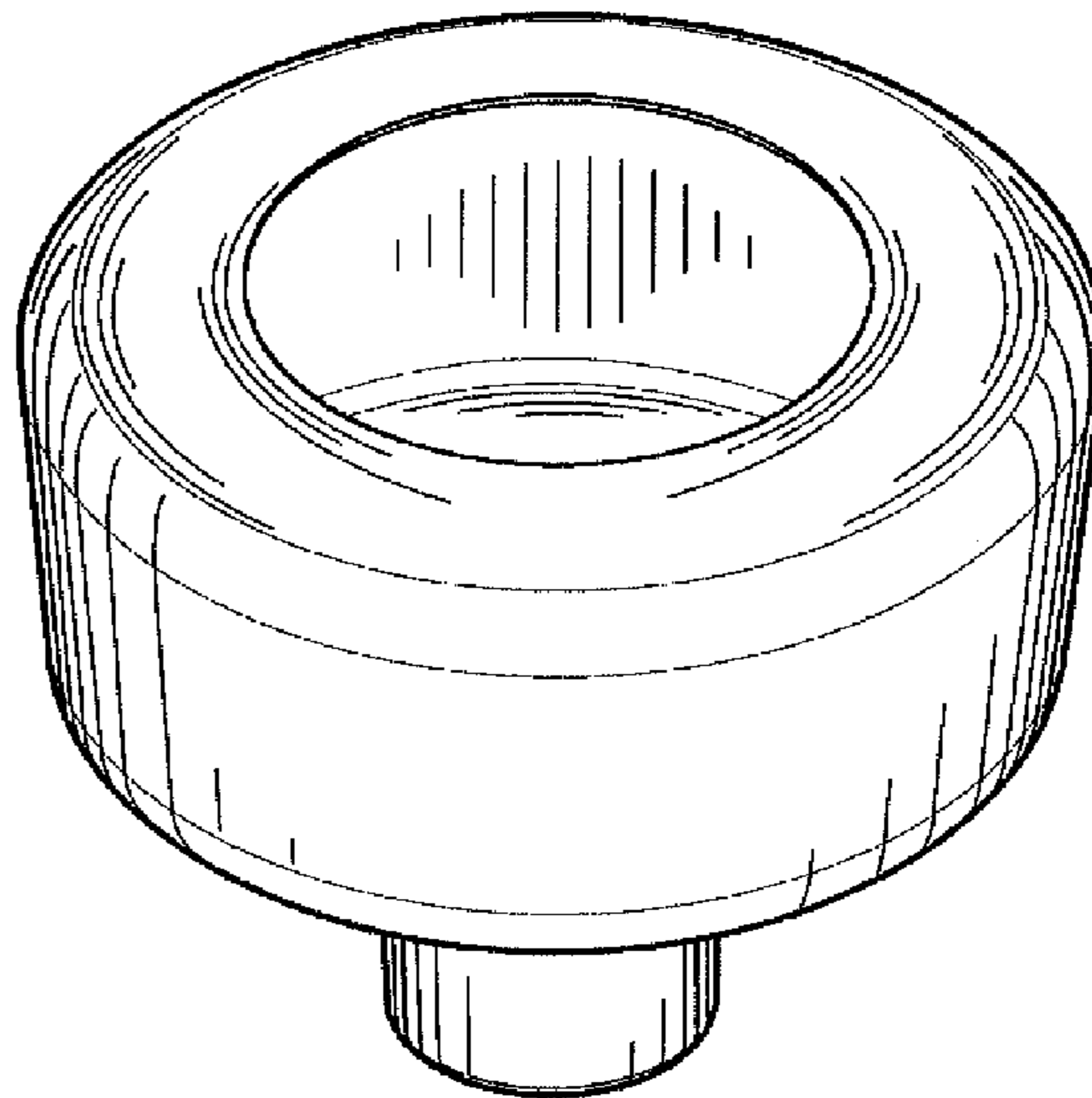
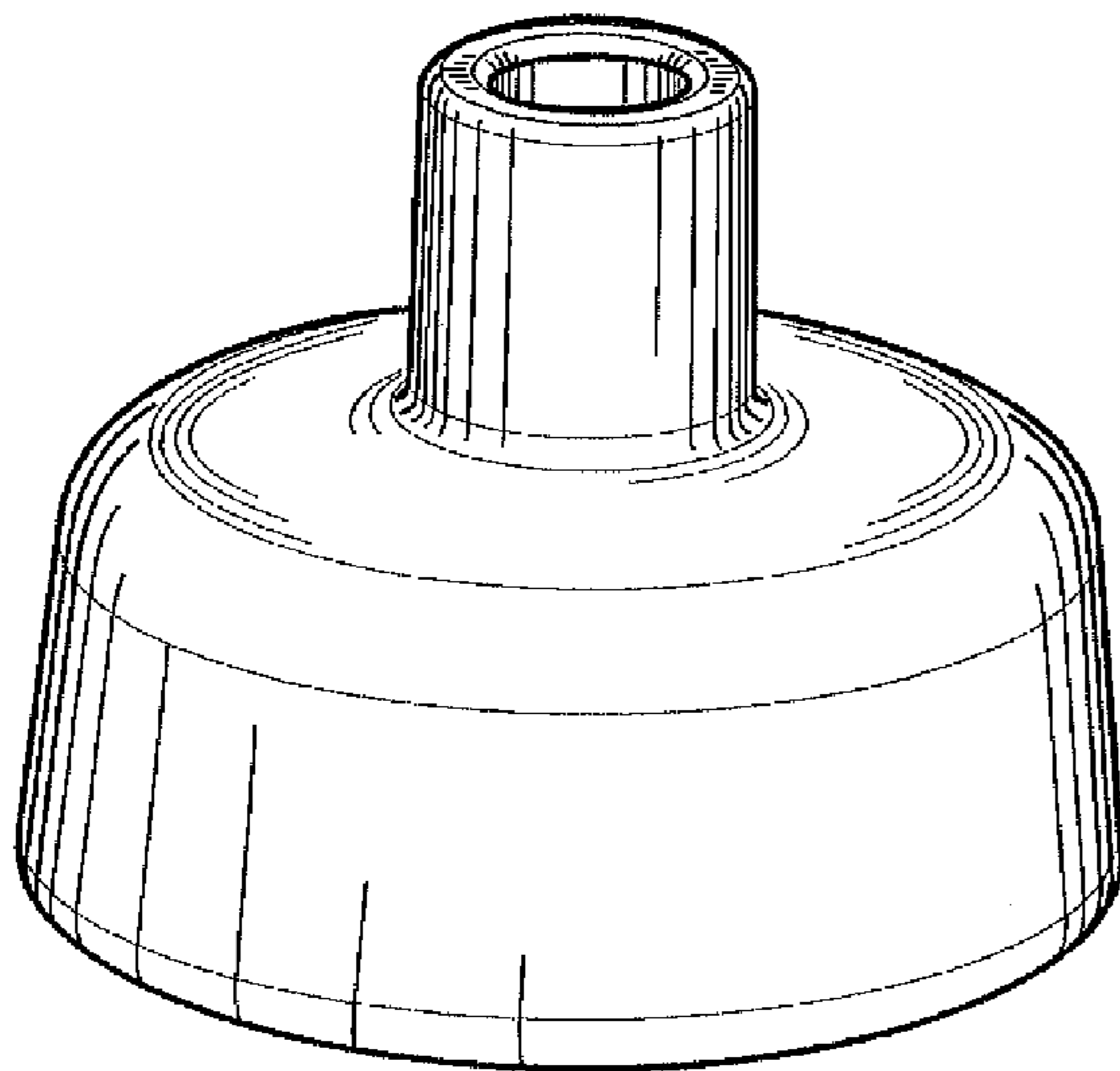
FIG. 2 is a side elevational view of the face mask, the other side elevational views being identical to that of this side elevational view;

FIG. 3 is a top perspective view of the face mask;

FIG. 4 is a top plan view of the face mask; and,

FIG. 5 is a bottom perspective view of the face mask.

1 Claim, 3 Drawing Sheets



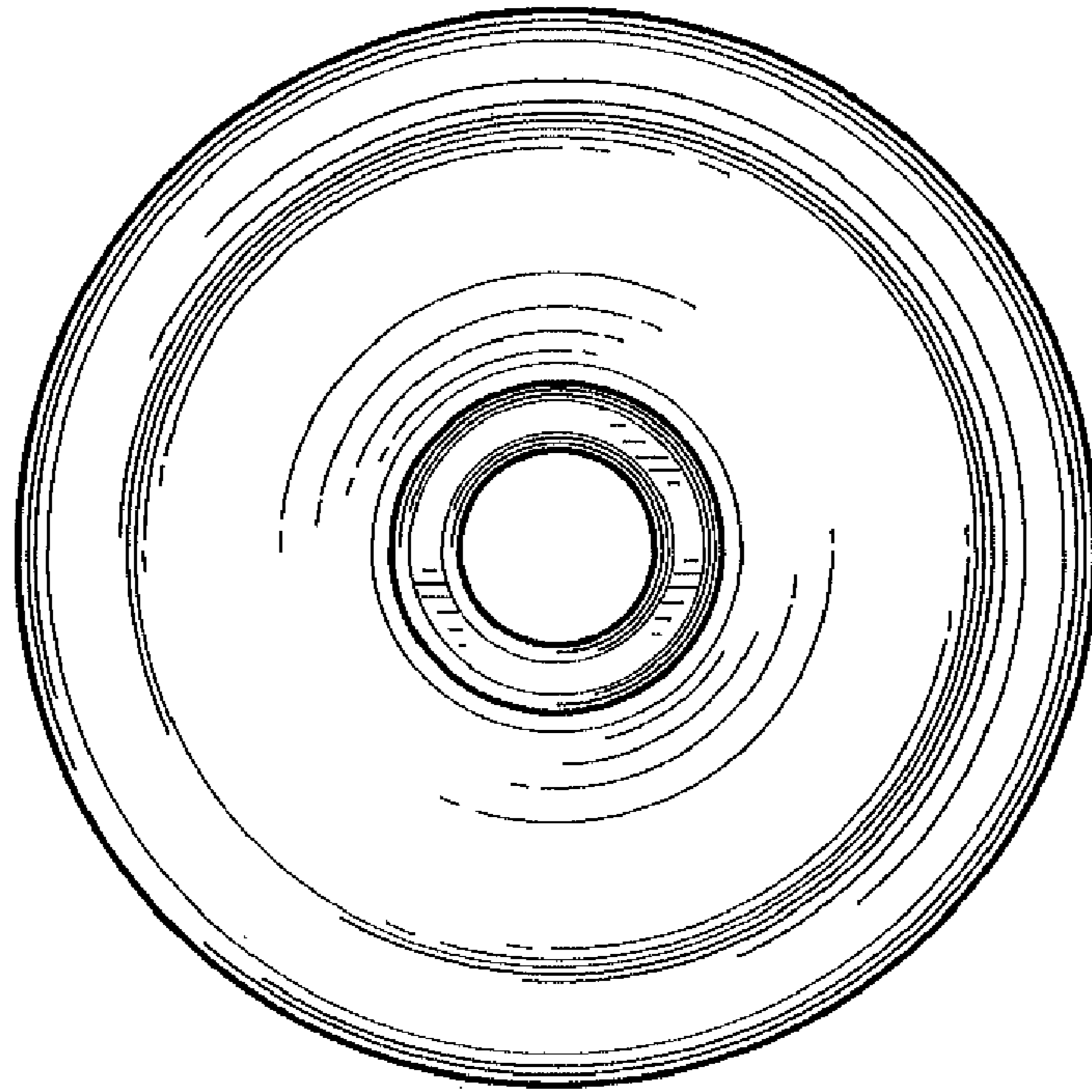


Figure 1

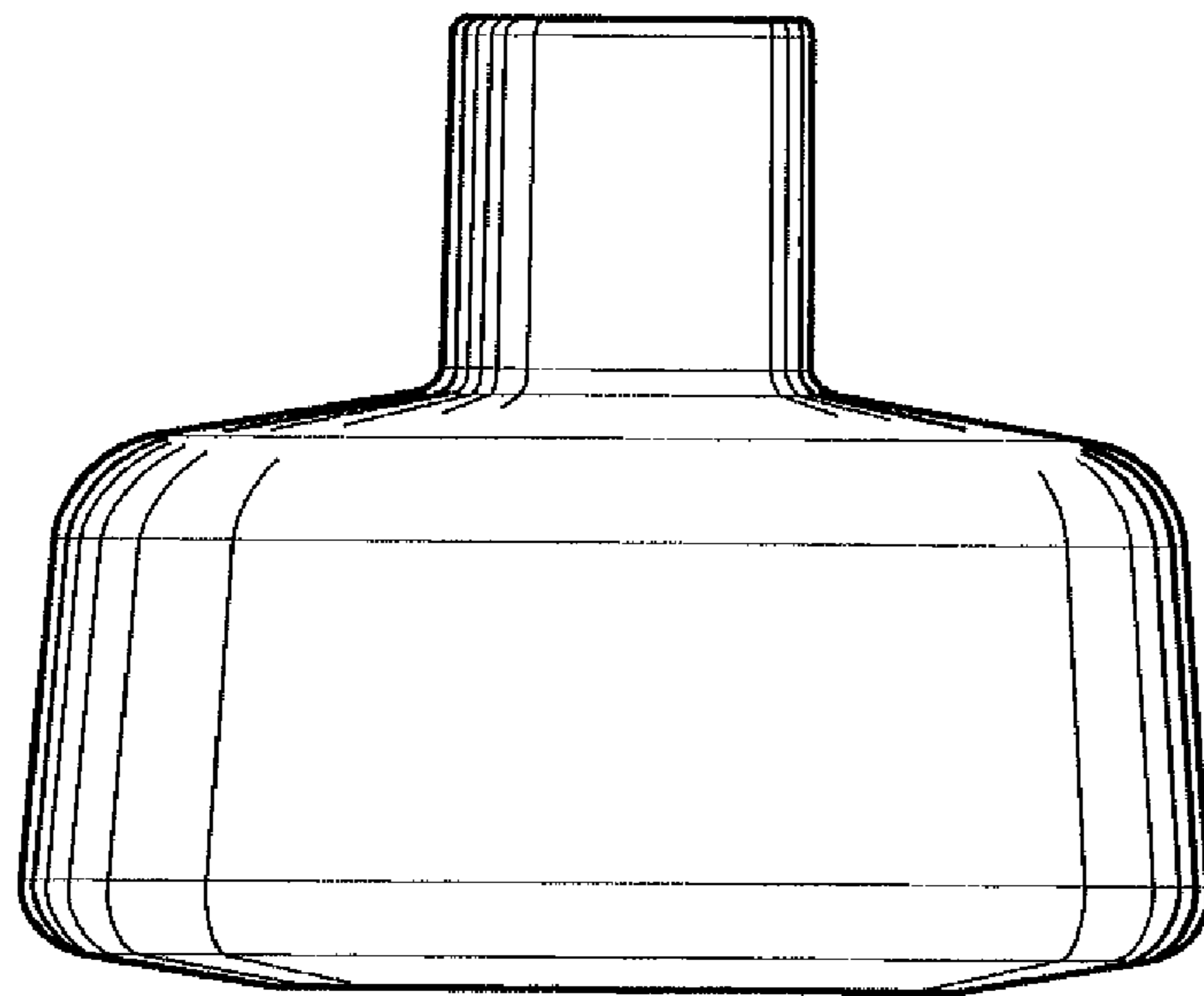


Figure 2

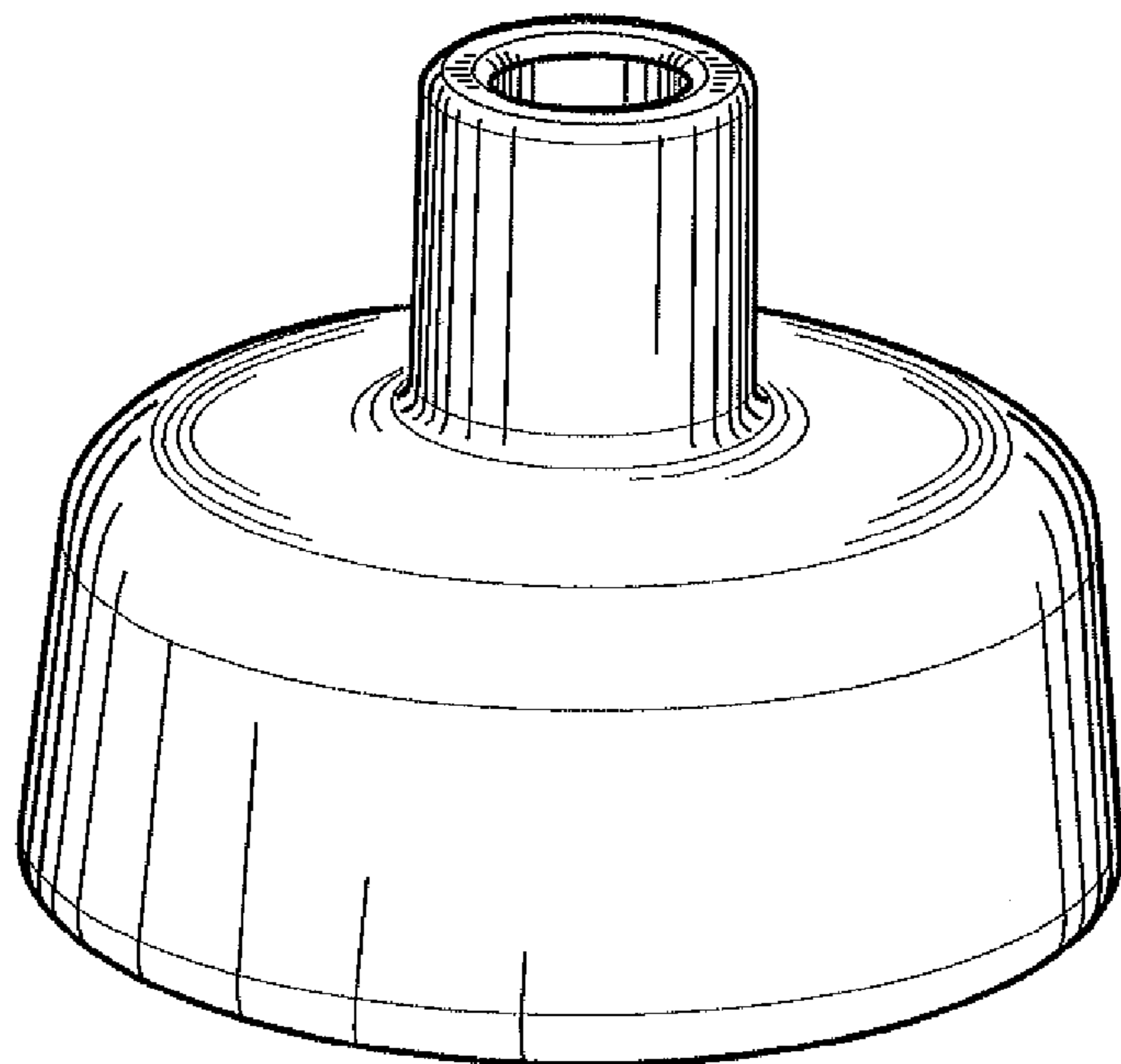


Figure 3

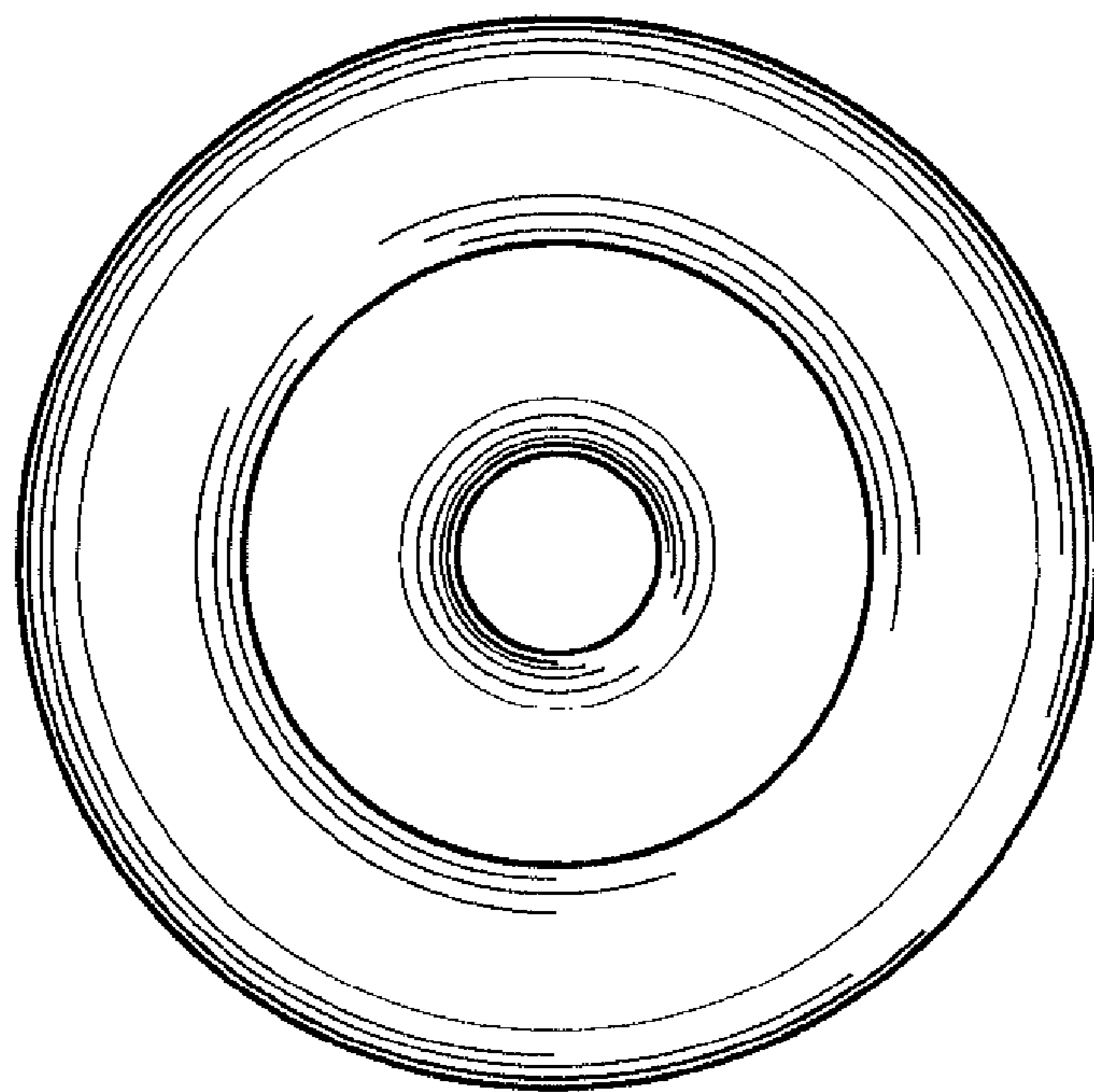


Figure 4

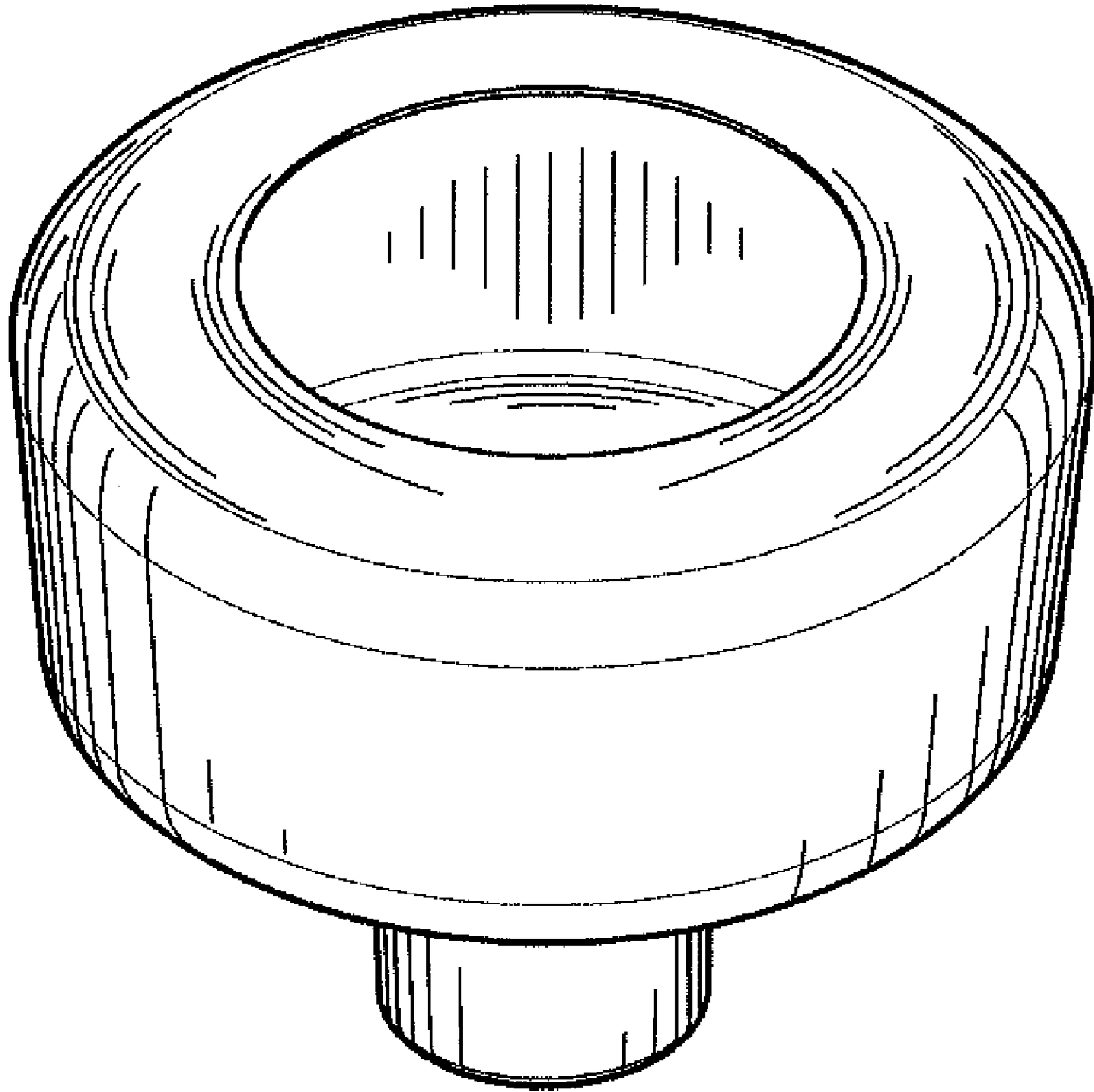


Figure 5