



US00D574483S

(12) **United States Design Patent**
Hidalgo

(10) **Patent No.:** **US D574,483 S**

(45) **Date of Patent:** **** Aug. 5, 2008**

(54) **PORTION OF A CEILING FAN HOUSING**

(75) Inventor: **Rolando Hidalgo**, Orange, CA (US)

(73) Assignee: **Minka Lighting, Inc.**, Corona, CA (US)

(**) Term: **14 Years**

(21) Appl. No.: **29/299,199**

(22) Filed: **Dec. 20, 2007**

(51) **LOC (8) Cl.** **23-04**

(52) **U.S. Cl.** **D23/411**

(58) **Field of Classification Search** D23/377,
D23/379, 385, 411, 413; 416/5

See application file for complete search history.

(56) **References Cited**

U.S. PATENT DOCUMENTS

D476,410 S	*	6/2003	Young	D23/411
D520,632 S	*	5/2006	Tai	D23/411
D527,452 S		8/2006	Hidalgo		
D527,453 S		8/2006	Hidalgo		
D563,010 S	*	2/2008	Pickett	D26/59

OTHER PUBLICATIONS

Hunter Internet Catalog; Charmaine; Model #28194; printed from www.hansenwhole.com on Apr. 25, 2007.

Emerson Internet Catalog; Athenian; Model #CF2400PW; printed from www.hansenwhole.com on Apr. 25, 2007.

Emerson Internet Catalog; Contours; Model #KF140TZ; printed from www.hansenwhole.com on Apr. 25, 2007.

Casa Vieja Internet Catalog; Heirloom Mission; Model #44814; printed from www.lampsplus.com on Aug. 1, 2007.

Hampton Bay Internet Catalog; Miramar; Model #AC374-BN; printed from www.homedepot.com on May 16, 2007.

* cited by examiner

Primary Examiner—Lisa P Lichtenstein

(74) *Attorney, Agent, or Firm*—Baker & McKenzie LLP

(57) **CLAIM**

The ornamental design for a portion of a ceiling fan housing, as shown and described.

DESCRIPTION

FIG. 1 is a bottom perspective view of a portion of a ceiling fan housing in accordance with my design shown in use;

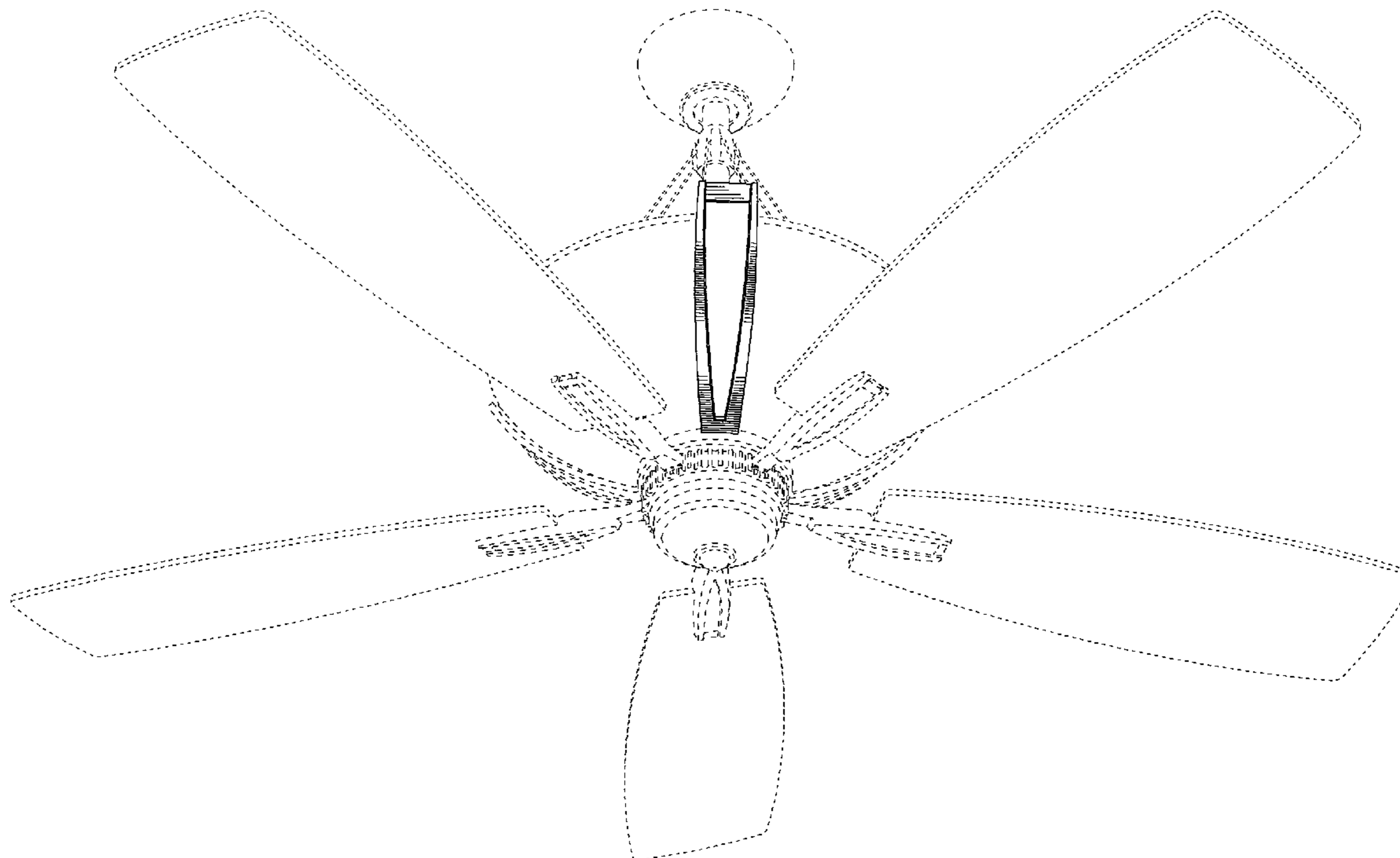
FIG. 2 is an enlarged side perspective view of the portion of a ceiling fan housing in accordance with my design;

FIG. 3 is an enlarged side elevation view of the portion of a ceiling fan housing in accordance with my design, the opposite view being a mirror image of that shown; and,

FIG. 4 is an enlarged bottom plan view of the portion of a ceiling fan housing in accordance with my design.

The broken line showing of the support rod, ceiling fan blades, blade irons, motor housing and attachment member is included for the purpose of illustrating environmental structure and forms no part of the claimed design.

1 Claim, 2 Drawing Sheets



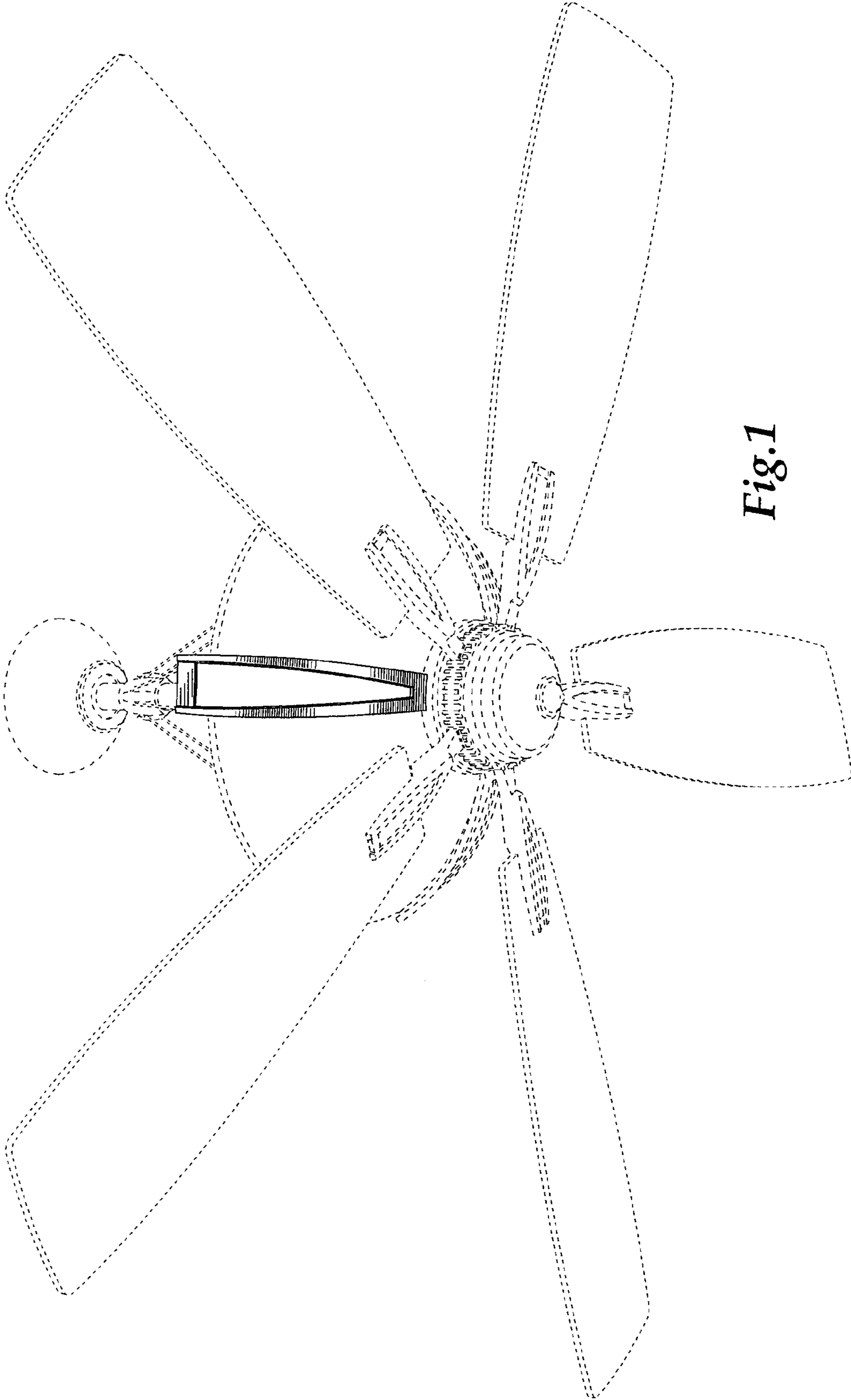


Fig.1

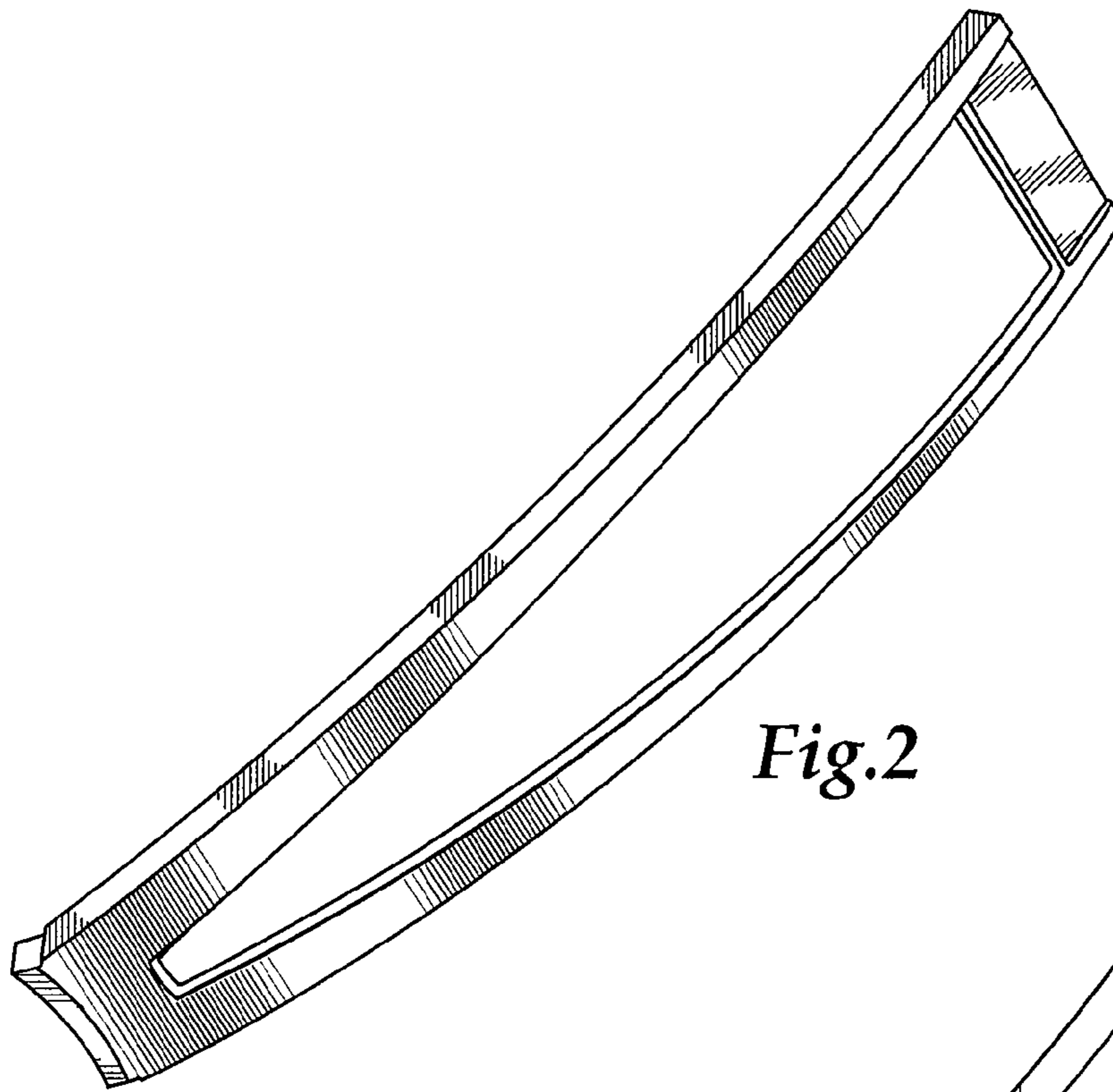


Fig.2

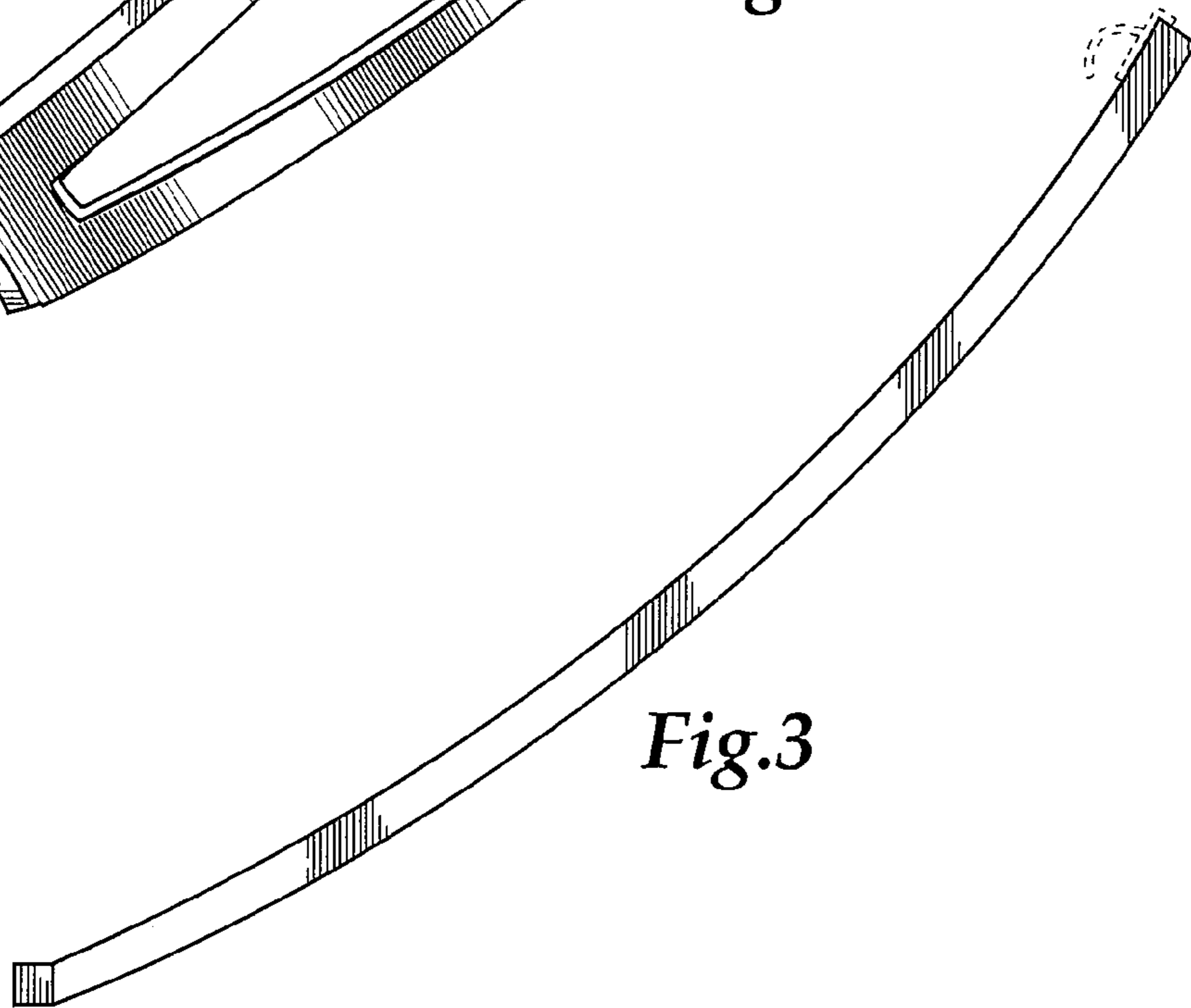


Fig.3

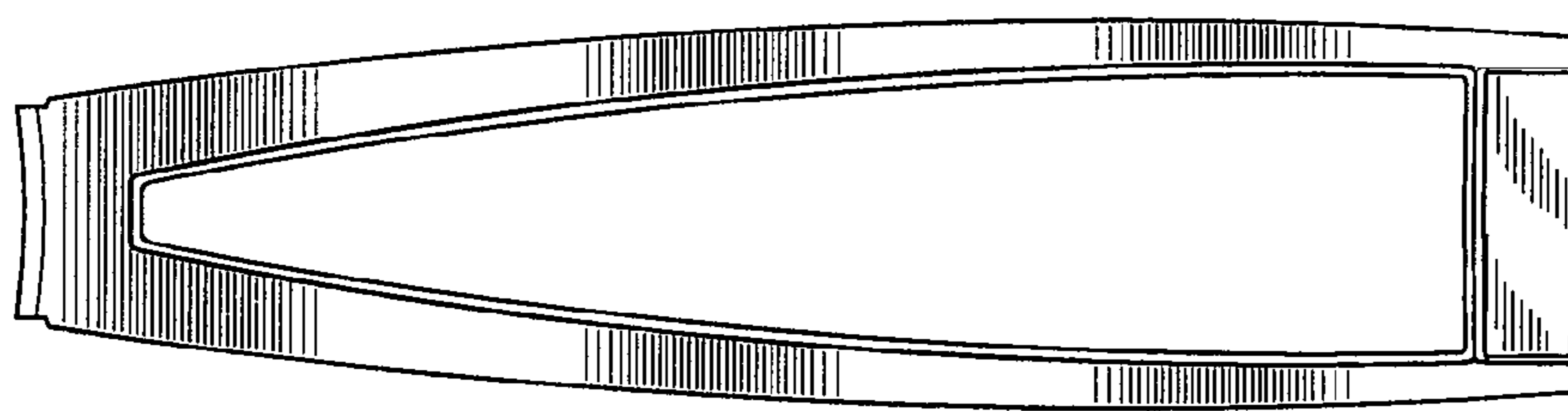


Fig.4