



US00D574481S

(12) **United States Design Patent**
Hidalgo

(10) **Patent No.:** **US D574,481 S**

(45) **Date of Patent:** **** Aug. 5, 2008**

(54) **CEILING FAN HOUSING**

(75) Inventor: **Rolando Hidalgo**, Orange, CA (US)

(73) Assignee: **Minka Lighting, Inc.**, Corona, CA (US)

(**) Term: **14 Years**

(21) Appl. No.: **29/299,182**

(22) Filed: **Dec. 20, 2007**

(51) **LOC (8) Cl.** **23-04**

(52) **U.S. Cl.** **D23/411**

(58) **Field of Classification Search** D23/377,
D23/379, 385, 411, 413; 416/5
See application file for complete search history.

(56) **References Cited**

U.S. PATENT DOCUMENTS

D446,851 S * 8/2001 Lee D23/411
D527,452 S 8/2006 Hidalgo
D527,453 S 8/2006 Hidalgo

OTHER PUBLICATIONS

Minka Internet Catalog; Bellasara; Model #774-301; printed from www.minkagroup.net on May 10, 2007.

Hunter Internet Catalog; Marseille; Model #28146; printed from www.hansenwhole.com on Apr. 25, 2007.

Emerson Internet Catalog; Chateau Royale; Model #CF945PW; printed from www.hansenwhole.com on Apr. 25, 2007.

Savoy House Internet Catalog; Venice; Model #7-9563-3-300; printed from www.savoyhouse.com on Jan. 5, 2008.

* cited by examiner

Primary Examiner—Lisa P Lichtenstein

(74) *Attorney, Agent, or Firm*—Baker & McKenzie LLP

(57) **CLAIM**

The ornamental design for a ceiling fan housing, as shown and described.

DESCRIPTION

FIG. 1 is a bottom perspective view of a ceiling fan housing in accordance with my design shown in use.

FIG. 2 is an enlarged top plan view of the ceiling fan housing in accordance with my design;

FIG. 3 is an enlarged bottom plan view of the ceiling fan housing in accordance with my design;

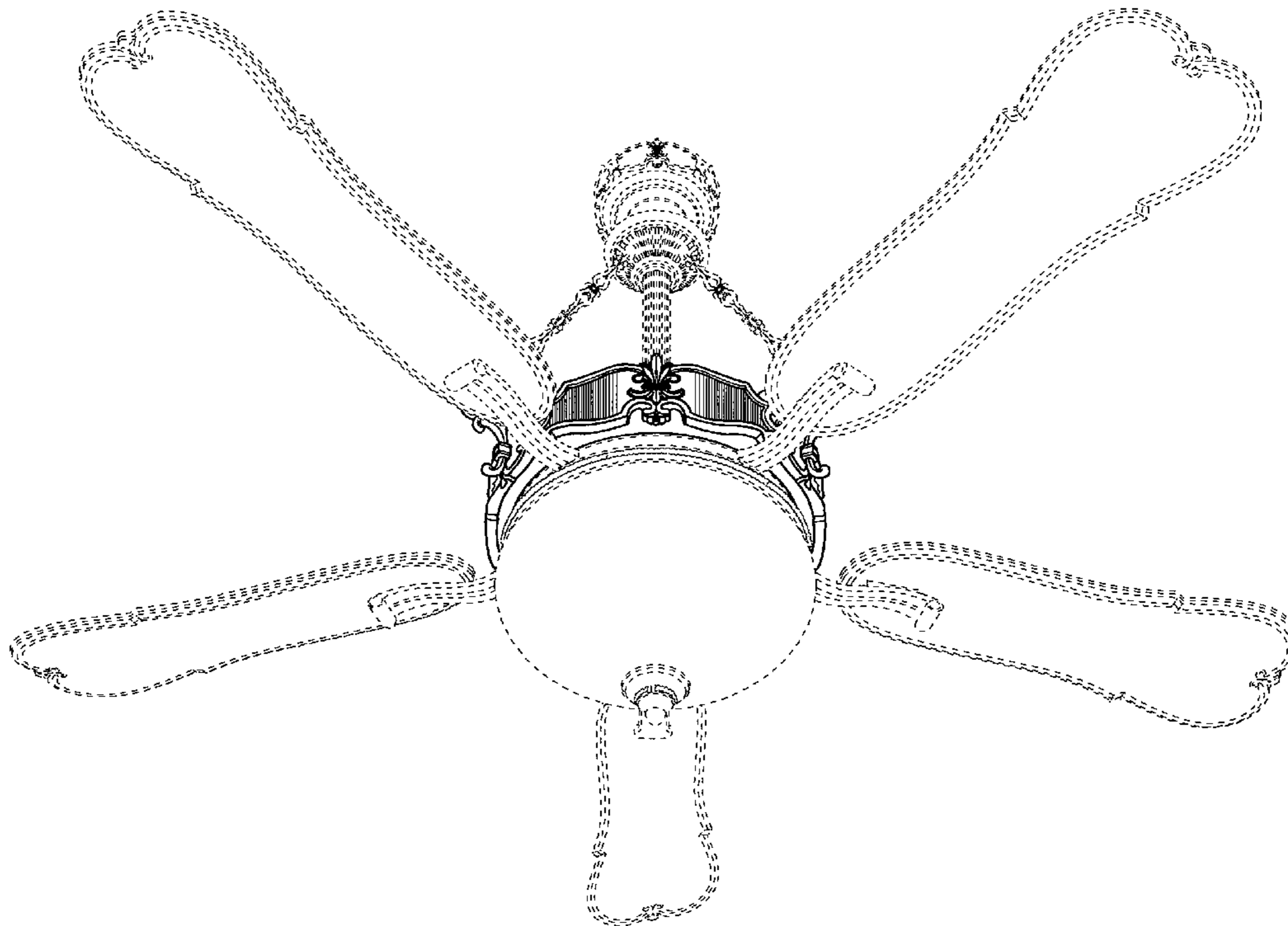
FIG. 4 is a greatly enlarged front elevation view of the ceiling fan housing in accordance with my design;

FIG. 5 is a greatly enlarged back elevation view of the ceiling fan housing in accordance with my design; and,

FIG. 6 is a greatly enlarged side elevation view of the ceiling fan housing in accordance with my design, the opposite view being a mirror image of that shown.

The broken line showing of the canopy, support rod, ceiling fan blades, blade irons, hanger, top apertures and light fixture is included for the purpose of illustrating environmental structure and forms no part of the claimed design.

1 Claim, 4 Drawing Sheets



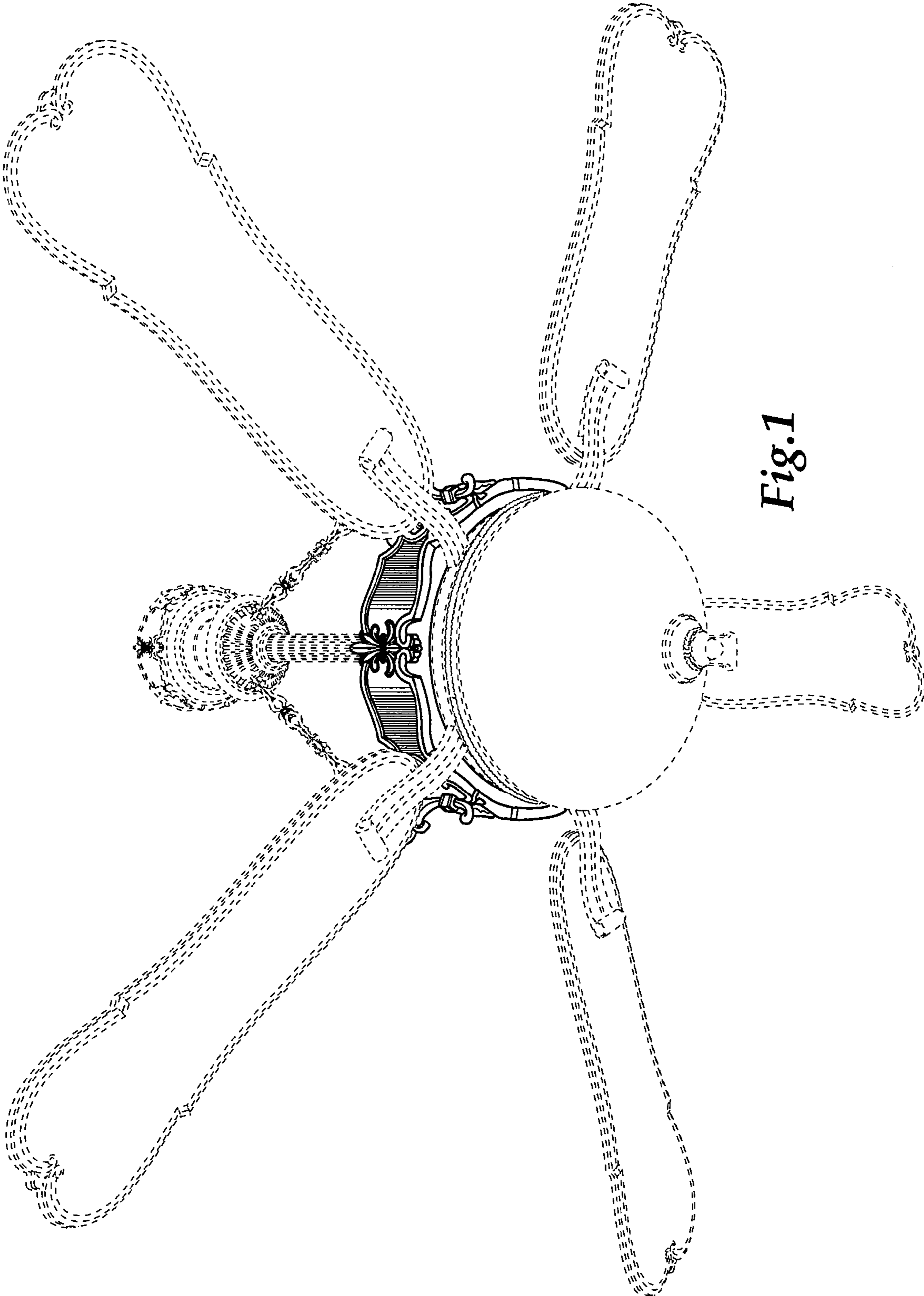


Fig. 1

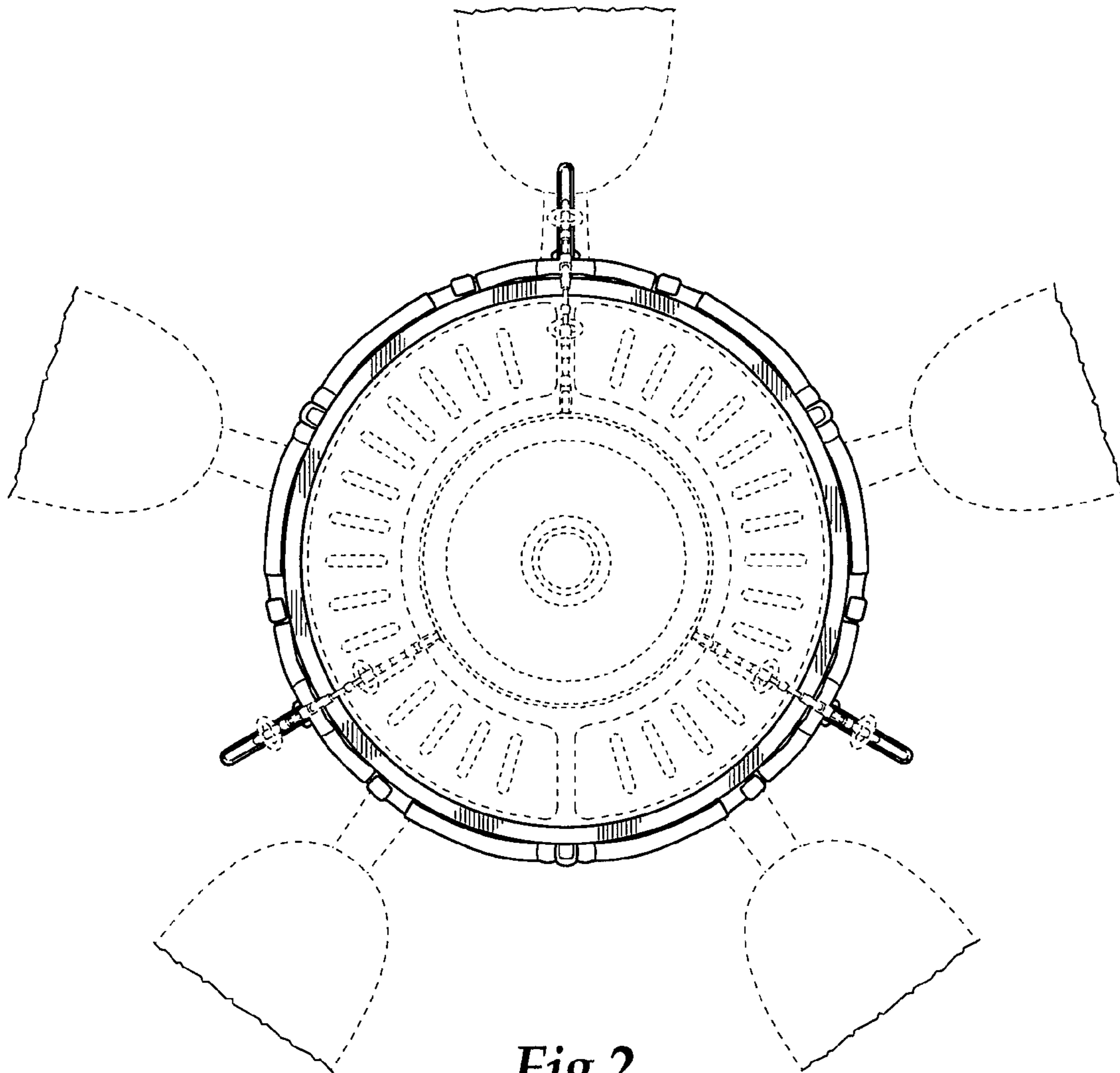


Fig.2

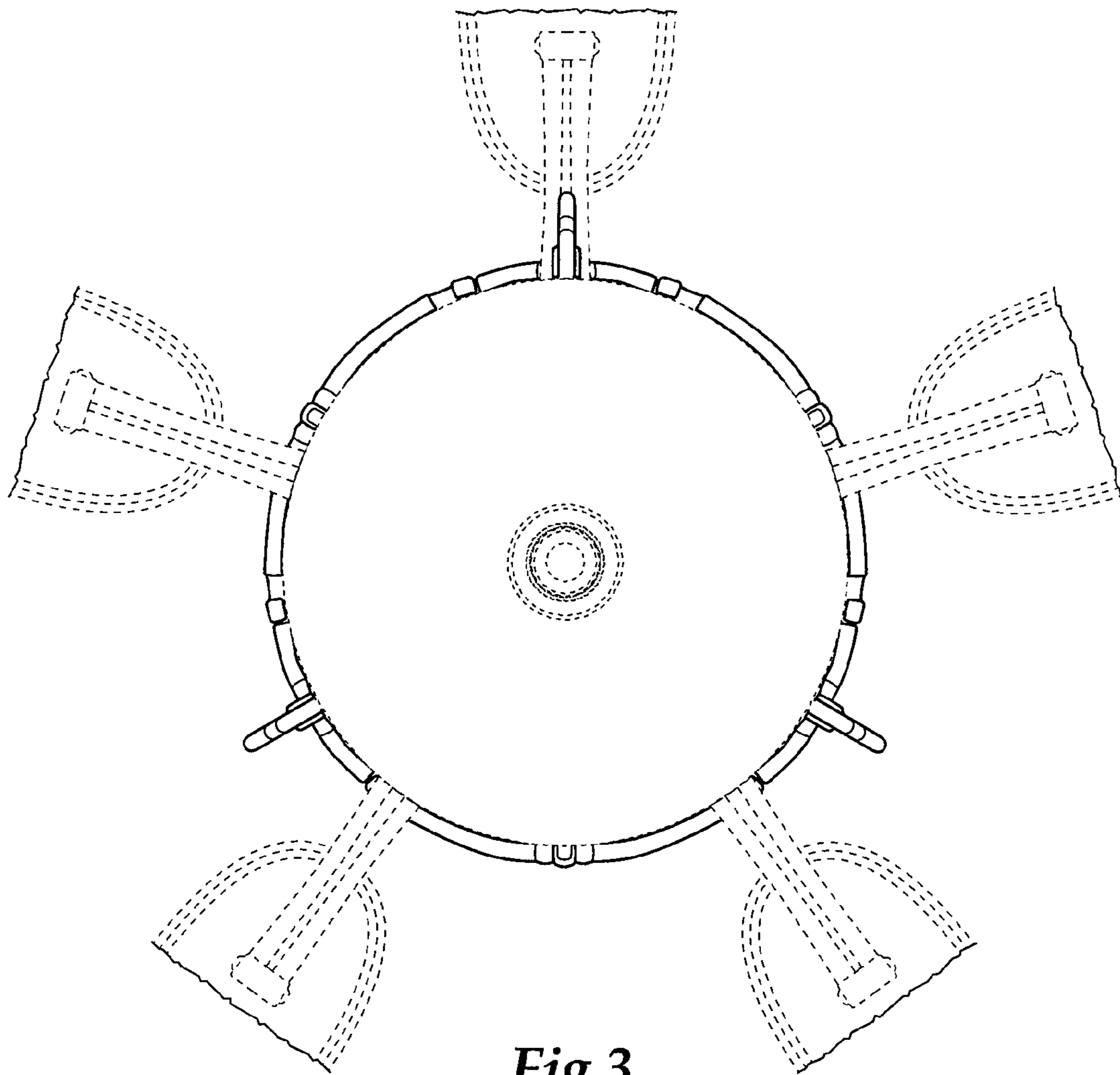


Fig.3

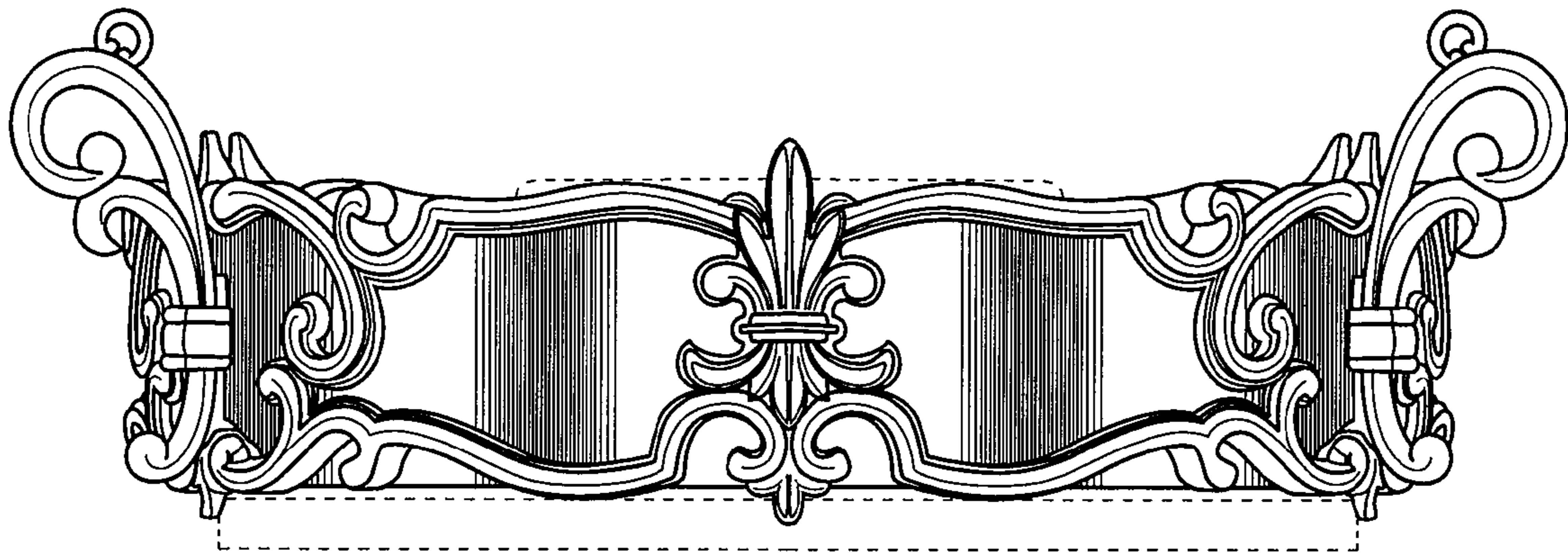


Fig.4

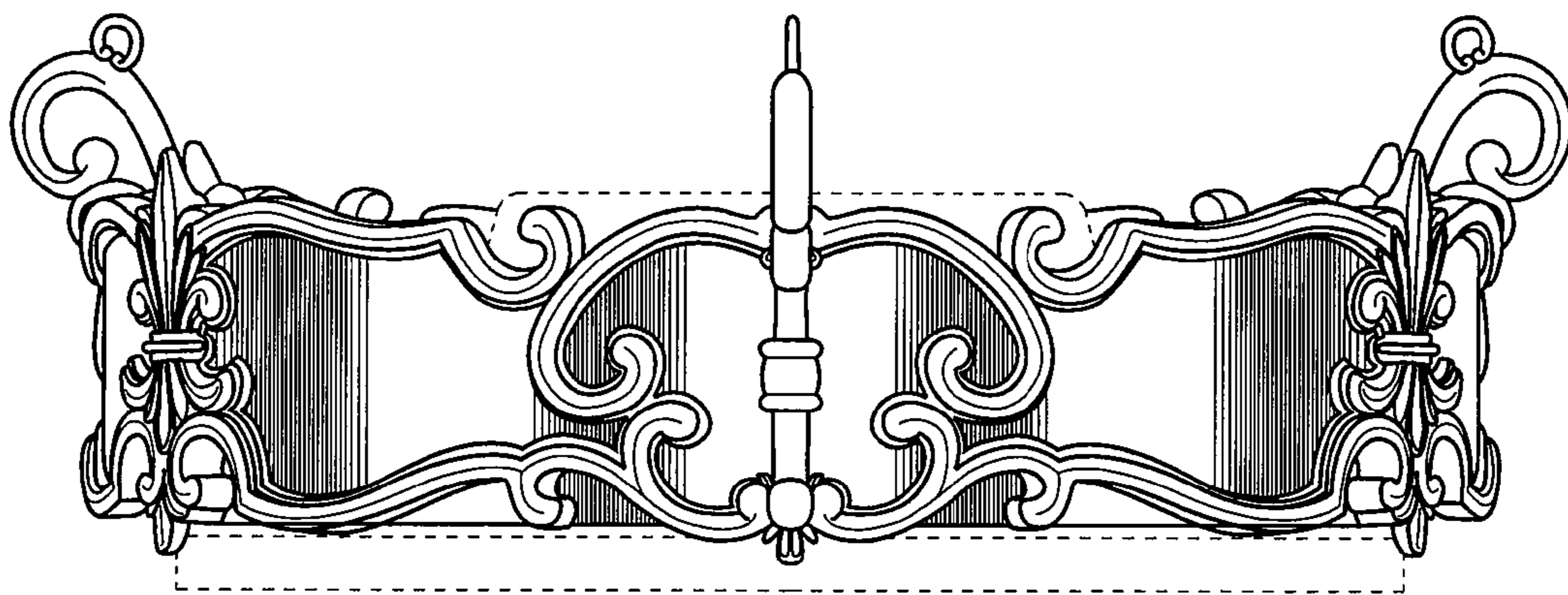


Fig.5

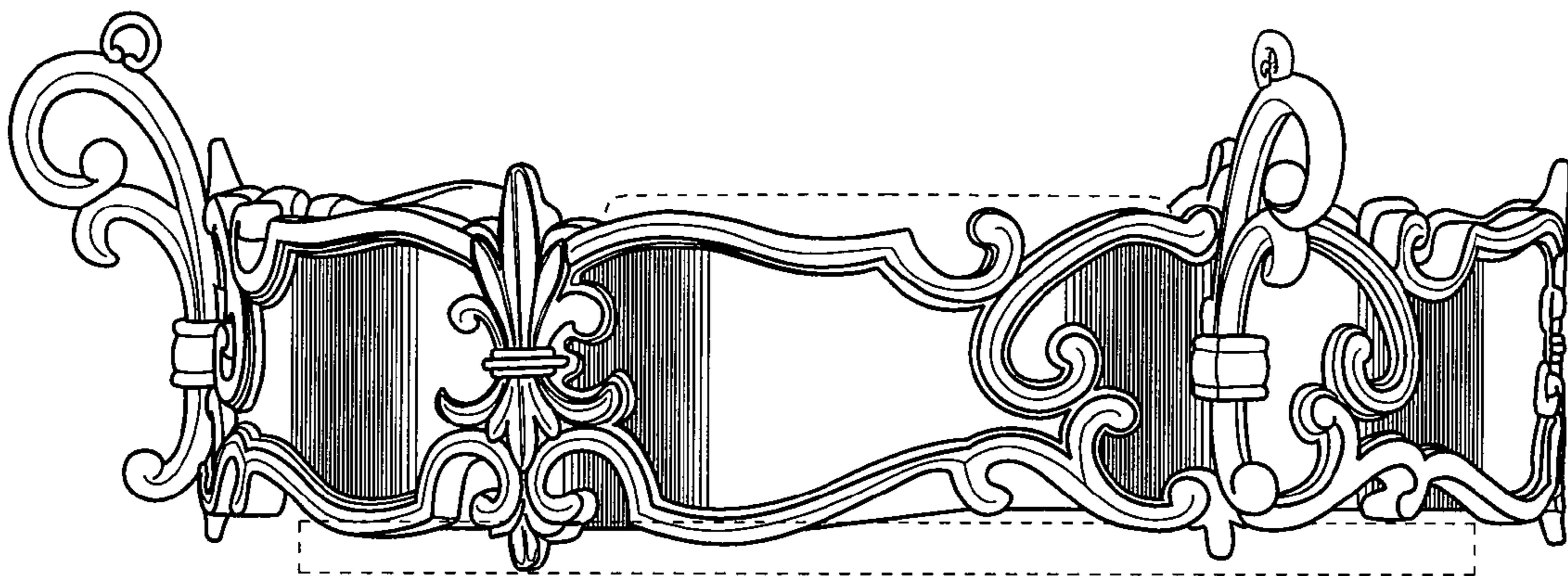


Fig.6