



US00D574480S

(12) **United States Design Patent**
Hsu

(10) **Patent No.:** **US D574,480 S**

(45) **Date of Patent:** **** Aug. 5, 2008**

(54) **ELECTRIC FAN STAND**

D482,438 S * 11/2003 Barker et al. D23/382

(76) Inventor: **Kuei-chih Hsu**, Aomen Industry
Zhangge village, Guanlan town, Baoan
Shenzhen (CN)

* cited by examiner

Primary Examiner—Lisa Lichtenstein
(74) *Attorney, Agent, or Firm*—Egbert Law Offices

(**) Term: **14 Years**

(57) **CLAIM**

(21) Appl. No.: **29/249,410**

The ornamental design for an electric fan stand, as shown and described.

(22) Filed: **Oct. 5, 2006**

(51) **LOC (8) Cl.** **23-04**

(52) **U.S. Cl.** **D23/411**

(58) **Field of Classification Search** D23/382,
D23/381, 370, 413, 411, 412; 416/244 R,
416/246, 247 R

See application file for complete search history.

DESCRIPTION

FIG. 1 is front view of the electric fan stand showing my design.

FIG. 2 is a top plan view thereof;

FIG. 3 is a bottom view thereof;

FIG. 4 is a side elevation view thereof;

FIG. 5 is a rear side elevation view thereof;

FIG. 6 is an opposite side elevation view thereof; and,

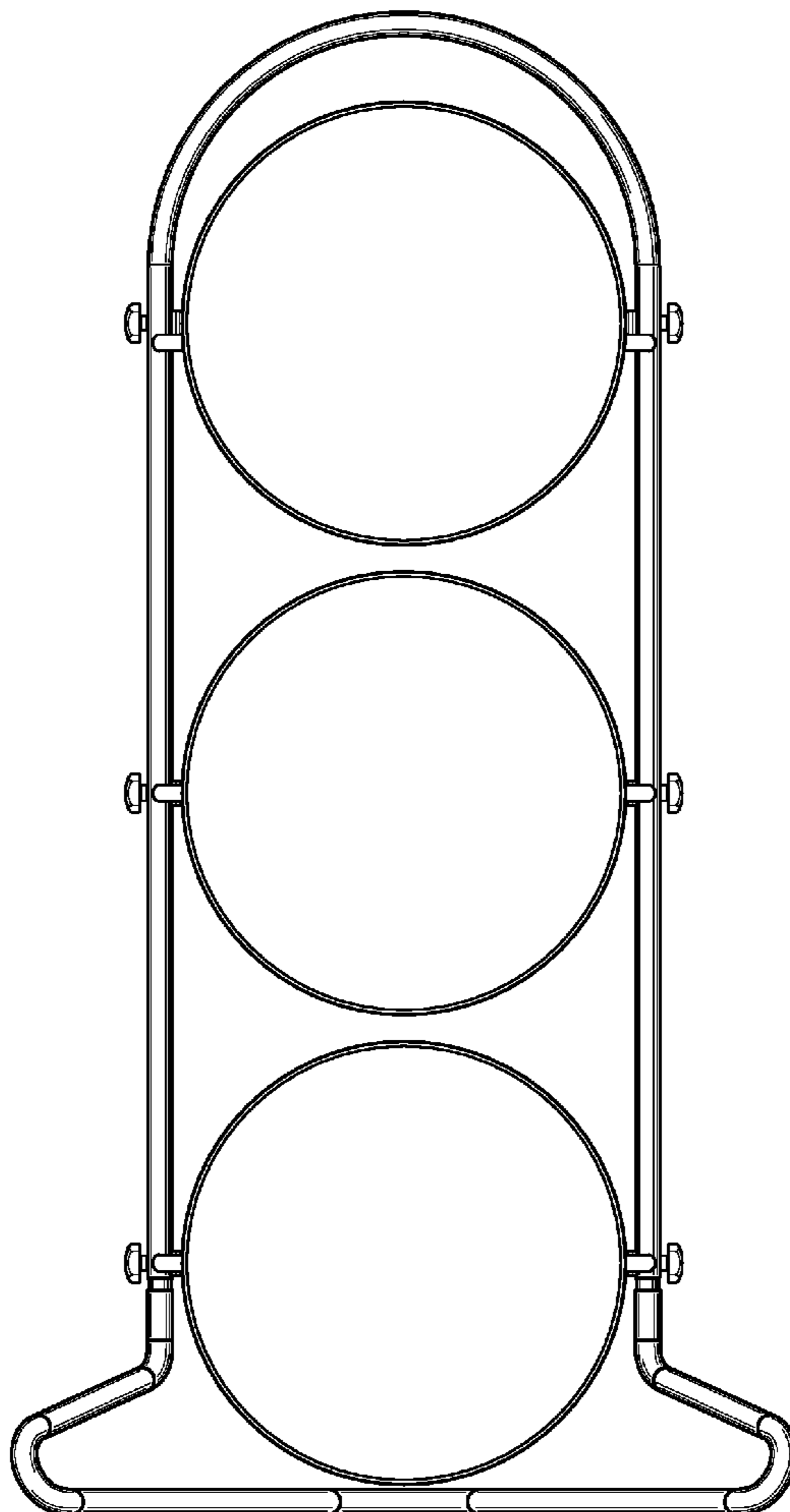
FIG. 7 is an upper perspective view thereof.

(56) **References Cited**

U.S. PATENT DOCUMENTS

- D426,296 S * 6/2000 Blateri D23/382
- D444,552 S * 7/2001 Wang D23/382
- D480,466 S * 10/2003 Bucher et al. D23/382

1 Claim, 6 Drawing Sheets



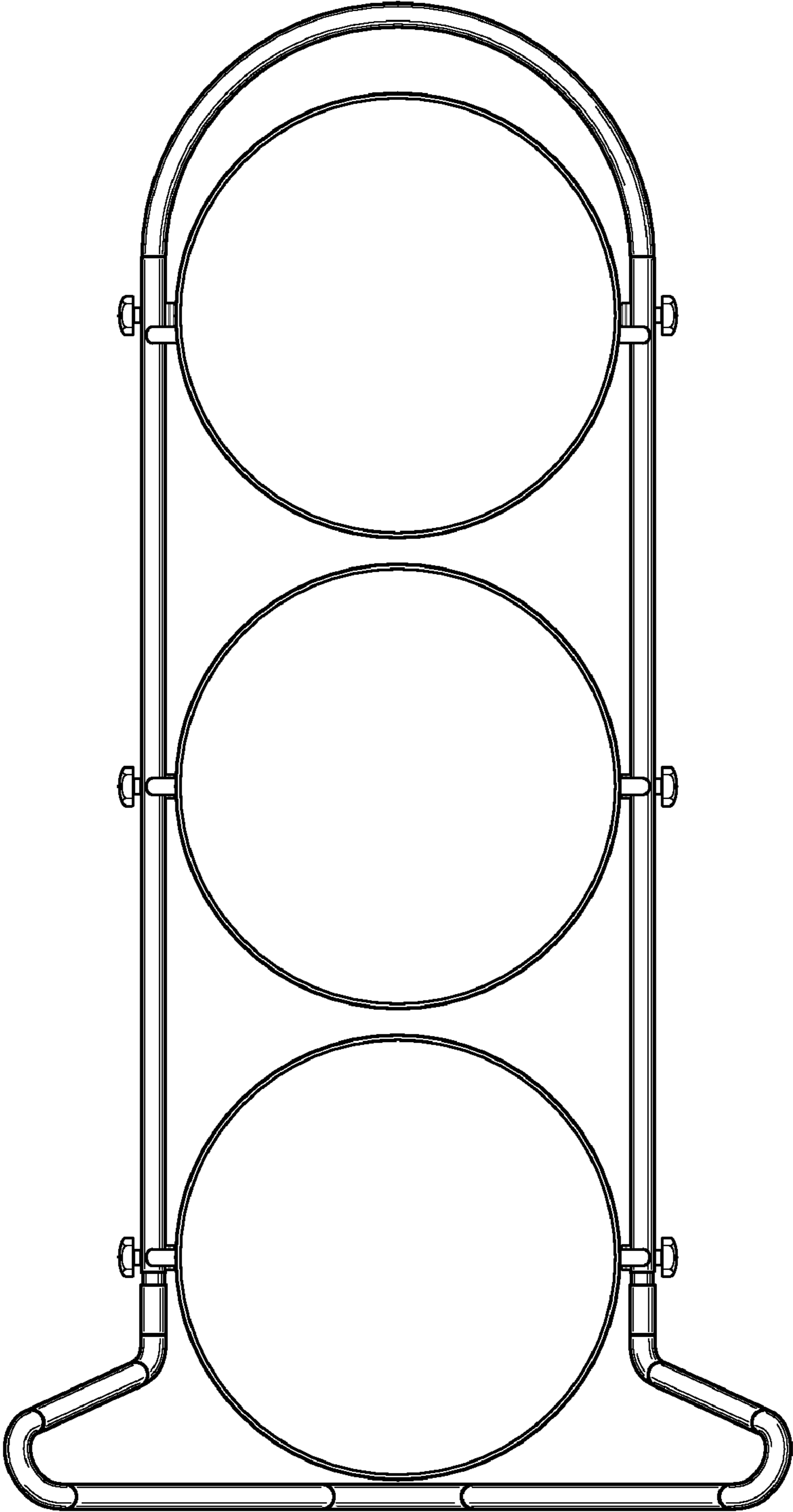


FIG. 1

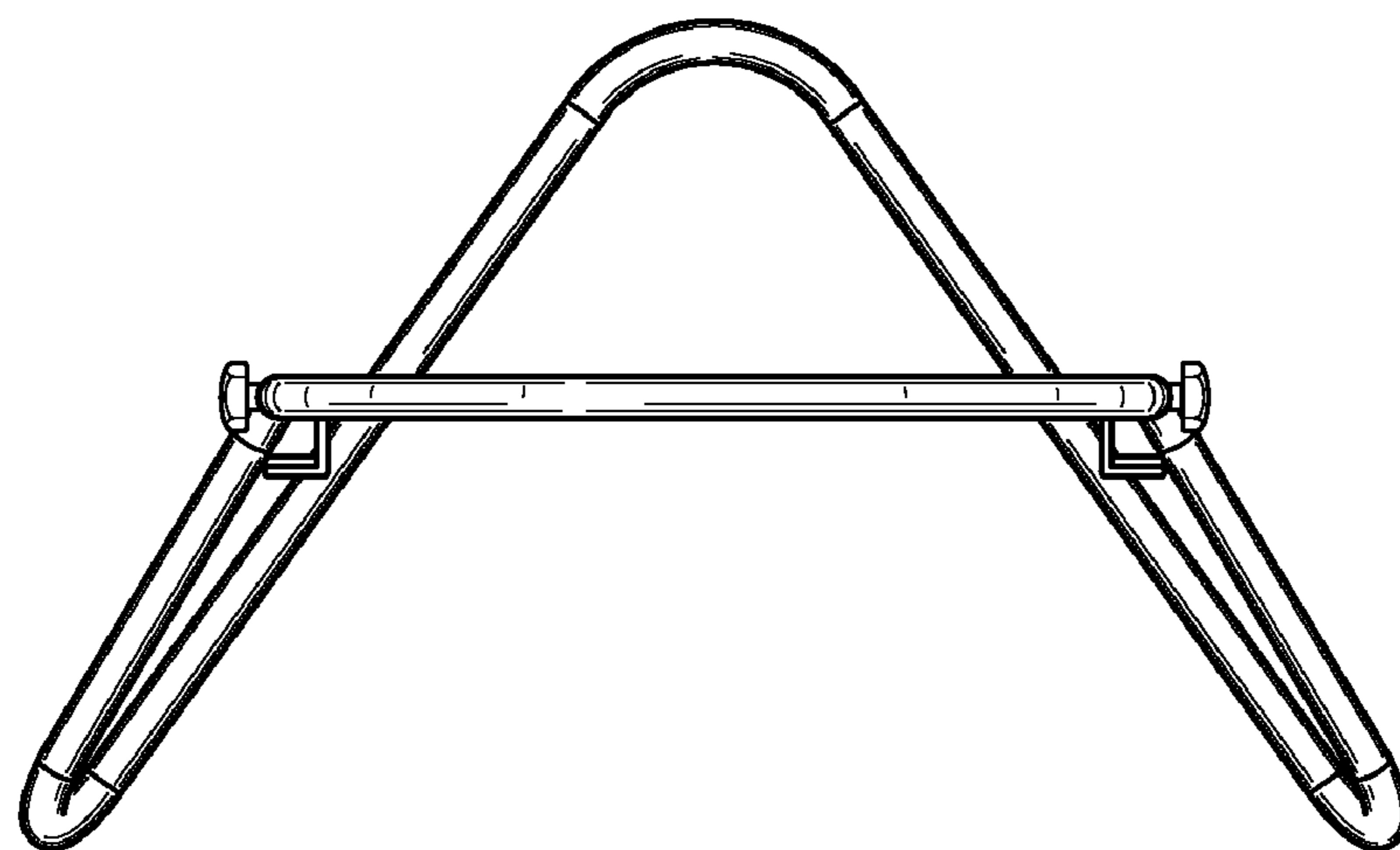


FIG. 2

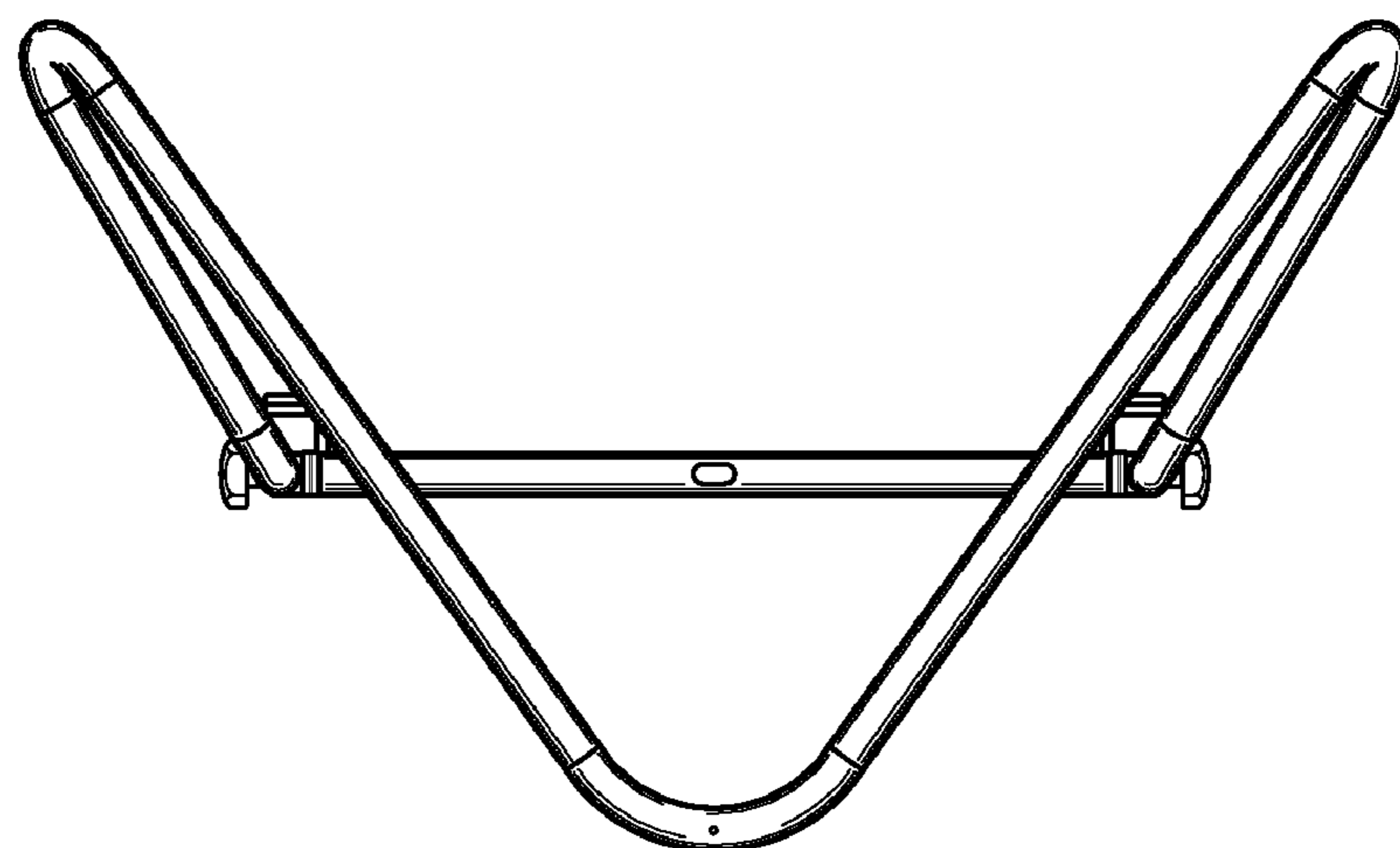


FIG. 3

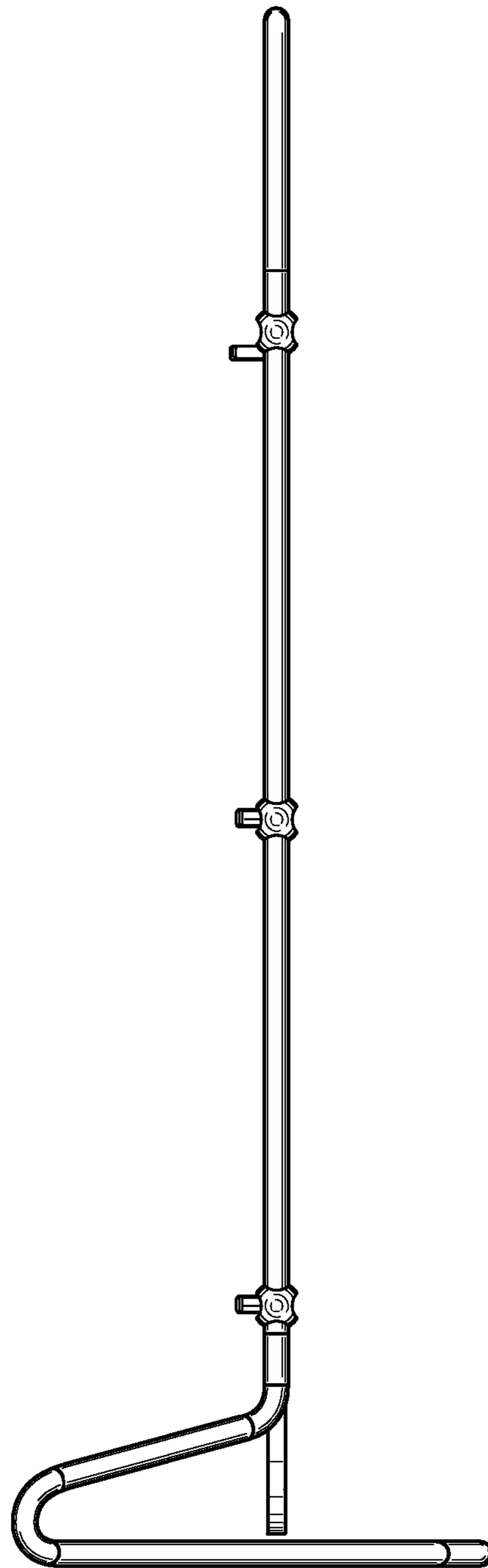


FIG. 4

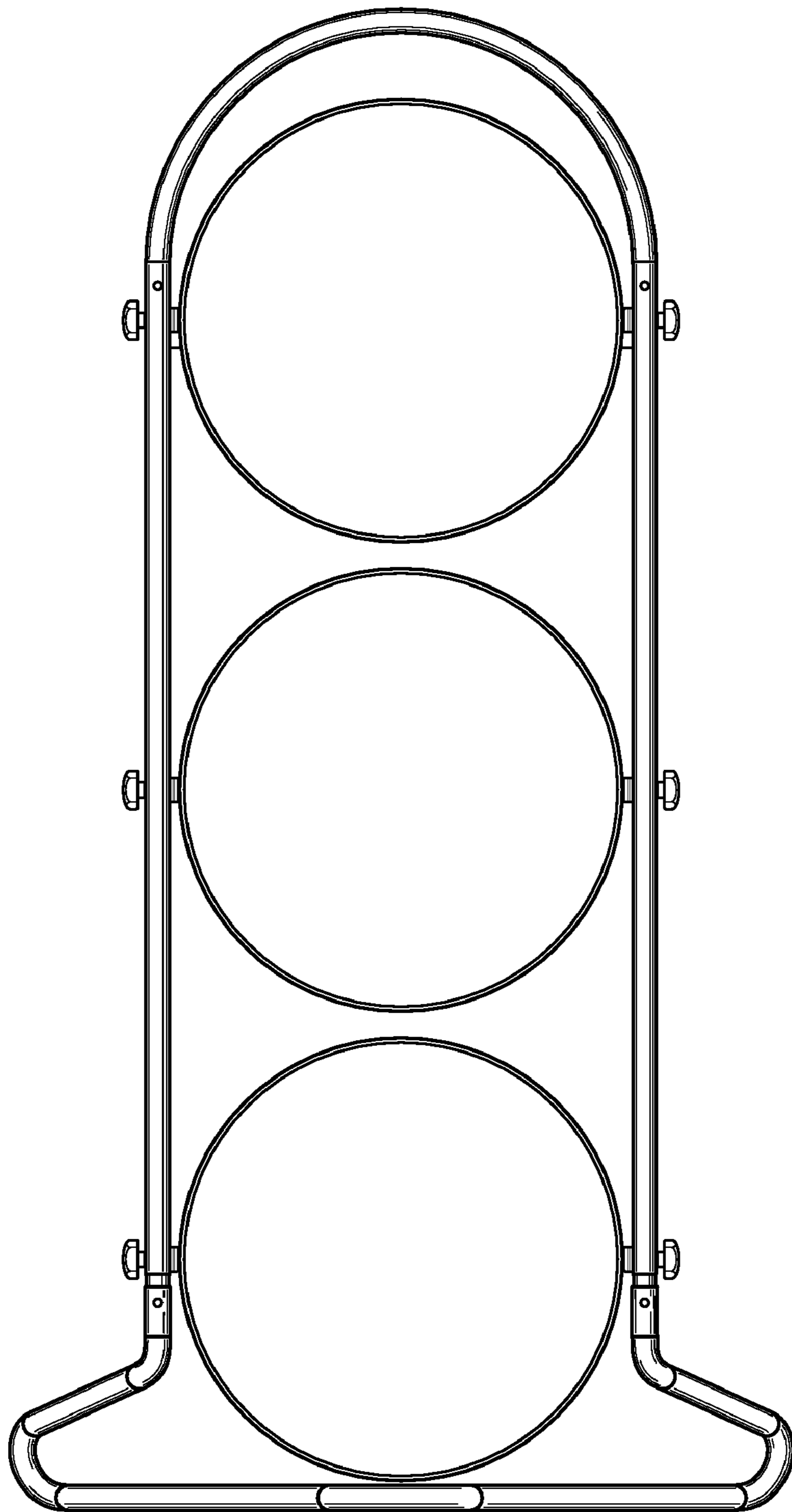


FIG. 5

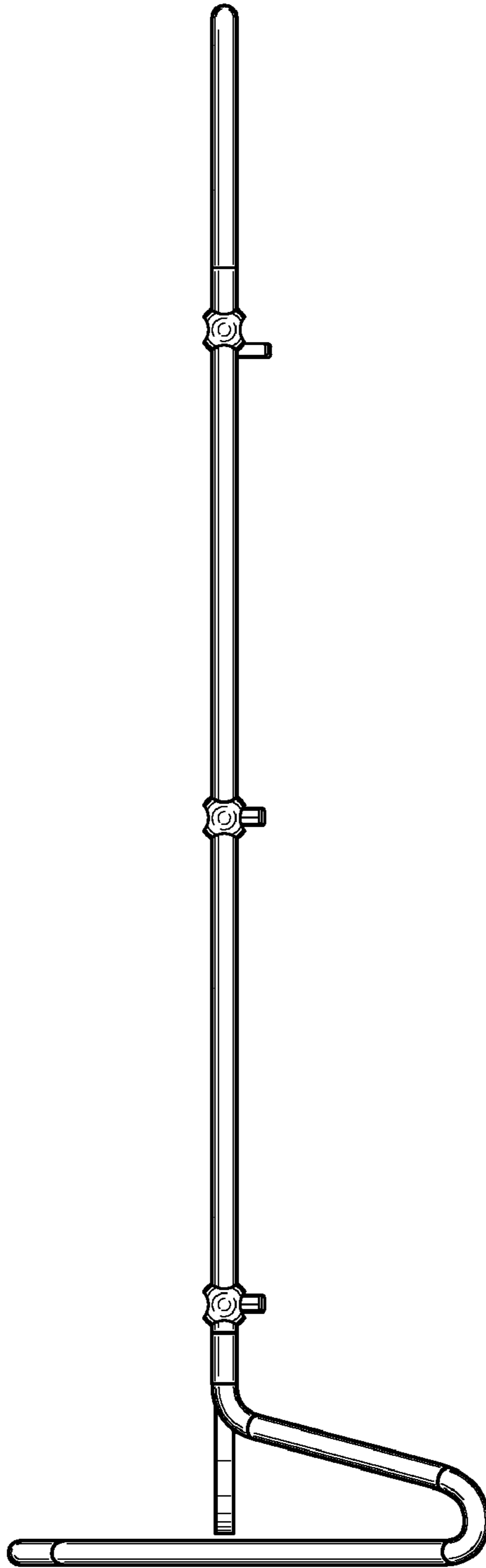


FIG. 6

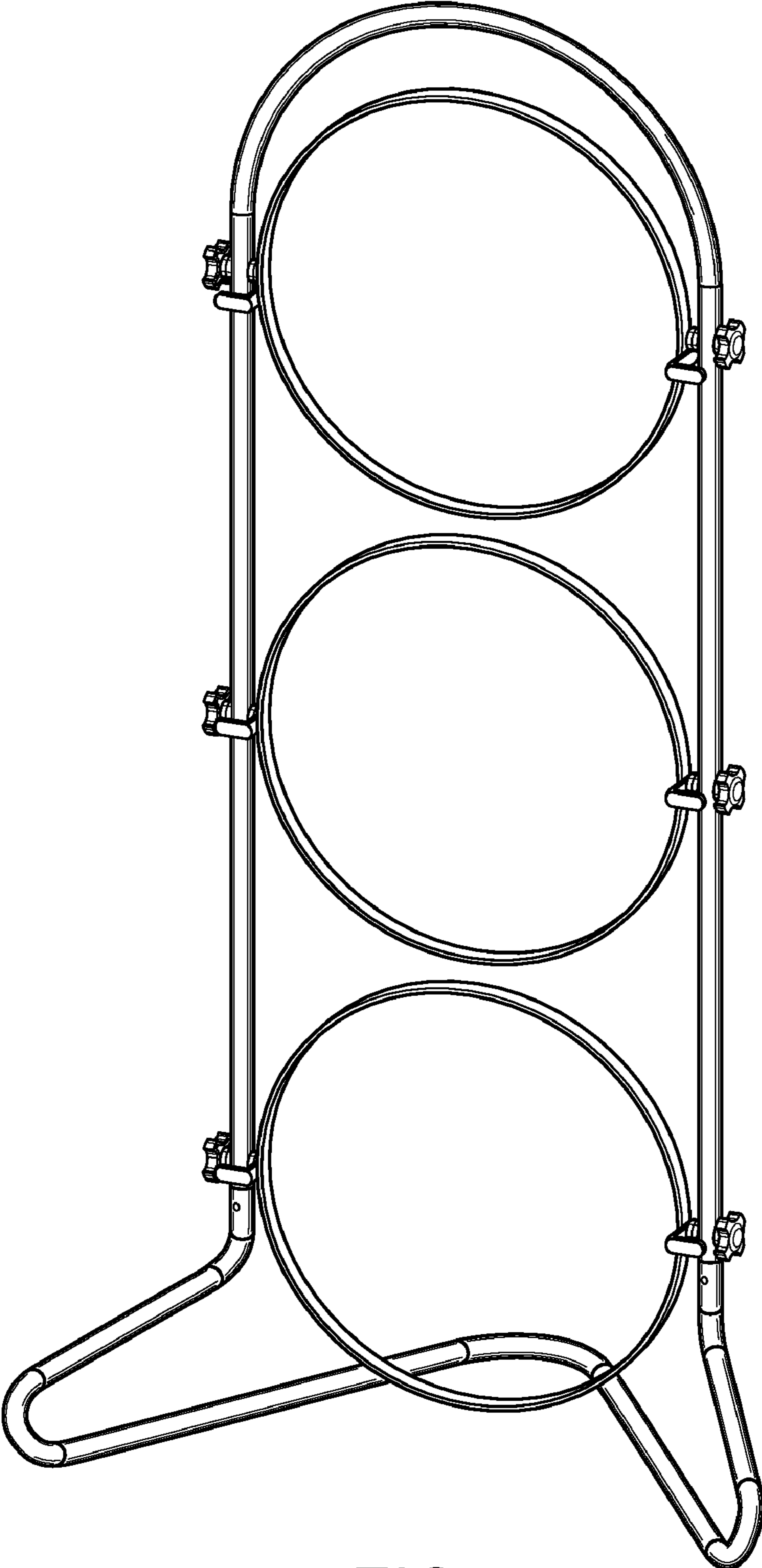


FIG. 7