



US00D574479S

(12) **United States Design Patent**
Brockington et al.

(10) **Patent No.:** **US D574,479 S**

(45) **Date of Patent:** **** Aug. 5, 2008**

(54) **RECREATIONAL VEHICLE REFRIGERATOR VENT COVER**

(75) Inventors: **William T. Brockington**, Kernersville, NC (US); **Anthony D. Moore**, Summerfield, NC (US)

(73) Assignee: **Camco Manufacturing Inc.**, Greensboro, NC (US)

(**) Term: **14 Years**

(21) Appl. No.: **29/272,479**

(22) Filed: **Feb. 8, 2007**

(51) **LOC (8) Cl.** **23-04**

(52) **U.S. Cl.** **D23/373**

(58) **Field of Classification Search** D23/373, D23/393, 371; 454/136

See application file for complete search history.

(56) **References Cited**

U.S. PATENT DOCUMENTS

4,193,339 A *	3/1980	Giles	454/136
D320,267 S	9/1991	Thomas		
D330,588 S	10/1992	Lindeen		
D376,007 S	11/1996	Thomas		
D390,948 S	2/1998	Meyer		
D391,632 S	3/1998	Thomas		

OTHER PUBLICATIONS

Ref. No. 1, Cover only for RRV-20 Vent(Vent & Cover shown), Amazon website (www.Amazon.com), Jan. 25, 2007, Mfgr: Barker.

Ref. No. 2, Dometic Roof Vent Base(Base & Cover shown), Amazon website (www.Amazon.com), Jan. 25, 2007, Mfgr: Dometic.

Ref. No. 3, Refrigerator Vent-Top only(Base & Top shown), Amazon website (www.Amazon.com), Jan. 25, 2007, Mfgr: VentLine.

Ref. No. 4, Refrigerator Roof Vent Cap, RVexit website (www.rvexit.com), Jan. 25, 2007, Mfgr: Norcold.

* cited by examiner

Primary Examiner—Lisa Lichtenstein

(57) **CLAIM**

The ornamental design for an recreational vehicle refrigerator vent cover, as shown and described.

DESCRIPTION

FIG. 1 is an enlarged front elevational view of a recreational vehicle refrigerator vent cover according to the invention;

FIG. 2 is an enlarged rear elevational view of the invention;

FIG. 3 is an enlarged transverse sectional view taken along line 3—3 in FIG. 4;

FIG. 4 is a right elevational view of the invention, the left elevational view being a mirror image;

FIG. 5 is a longitudinal sectional view taken along line 5—5 in FIG. 2;

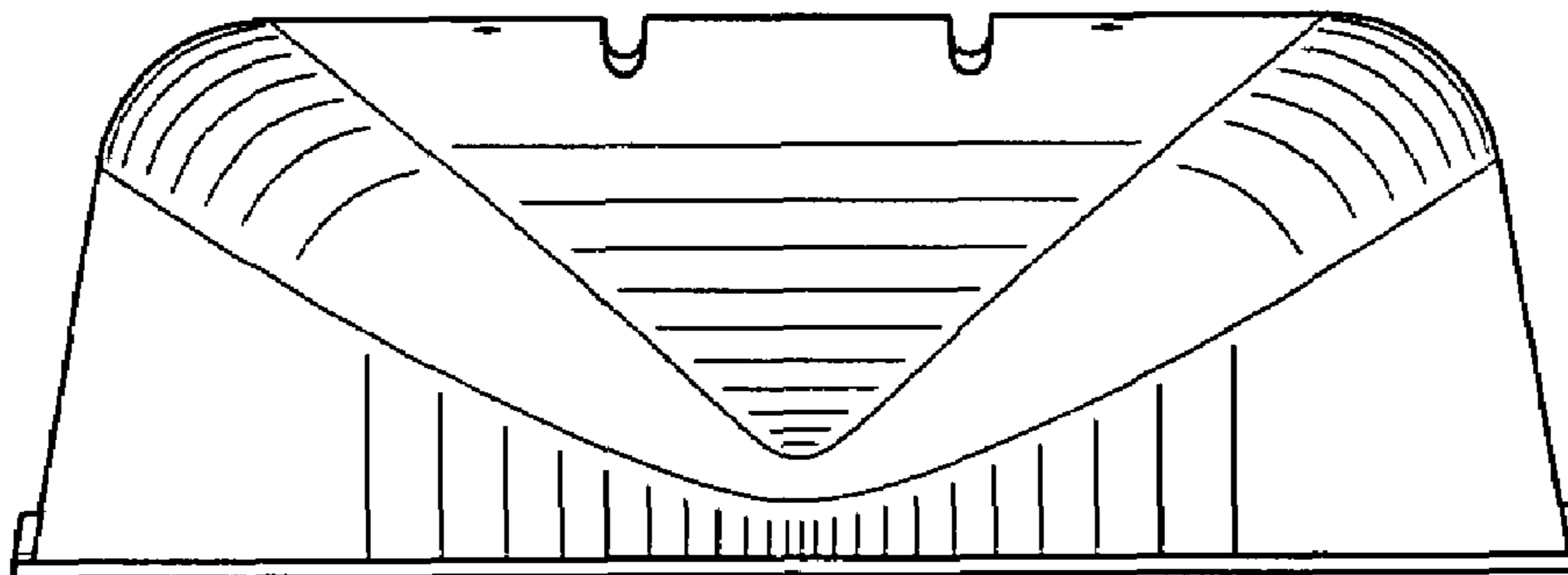
FIG. 6 is a top plan view of the invention;

FIG. 7 is a bottom plan view of the invention;

FIG. 8 is a top, front right perspective view of the invention; and,

FIG. 9 is a bottom, front right perspective view of the invention.

1 Claim, 5 Drawing Sheets



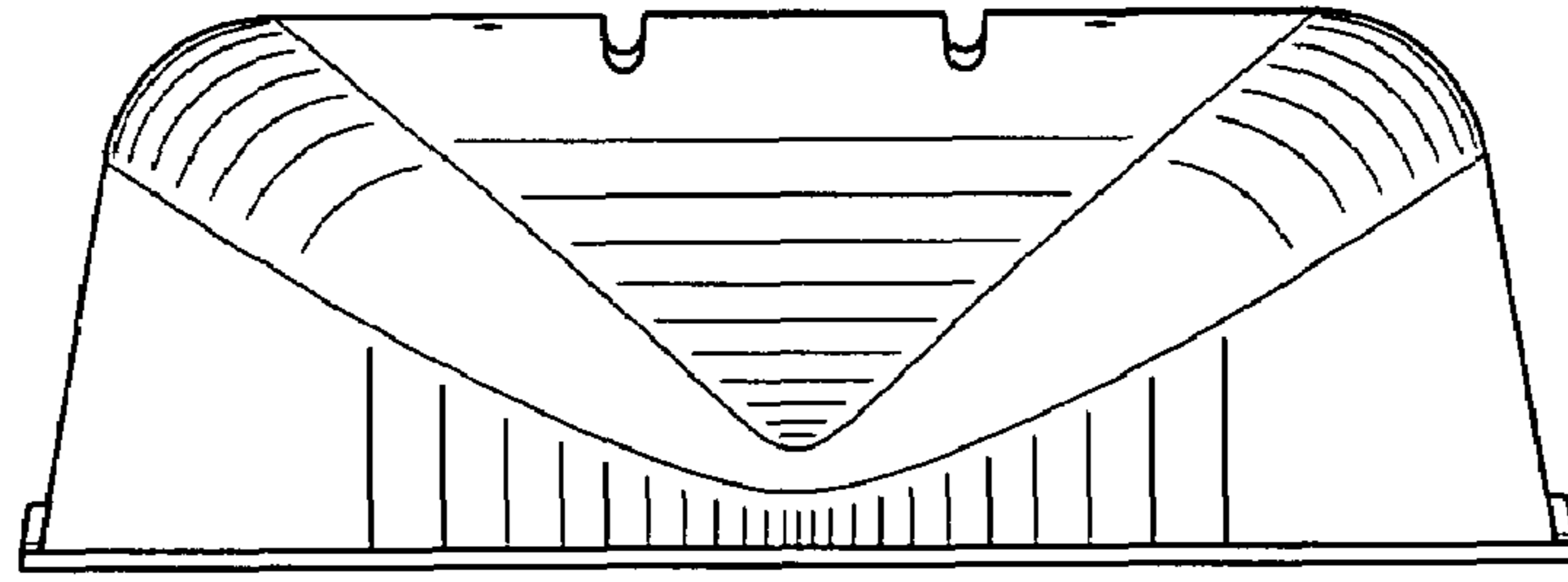


FIG. 1

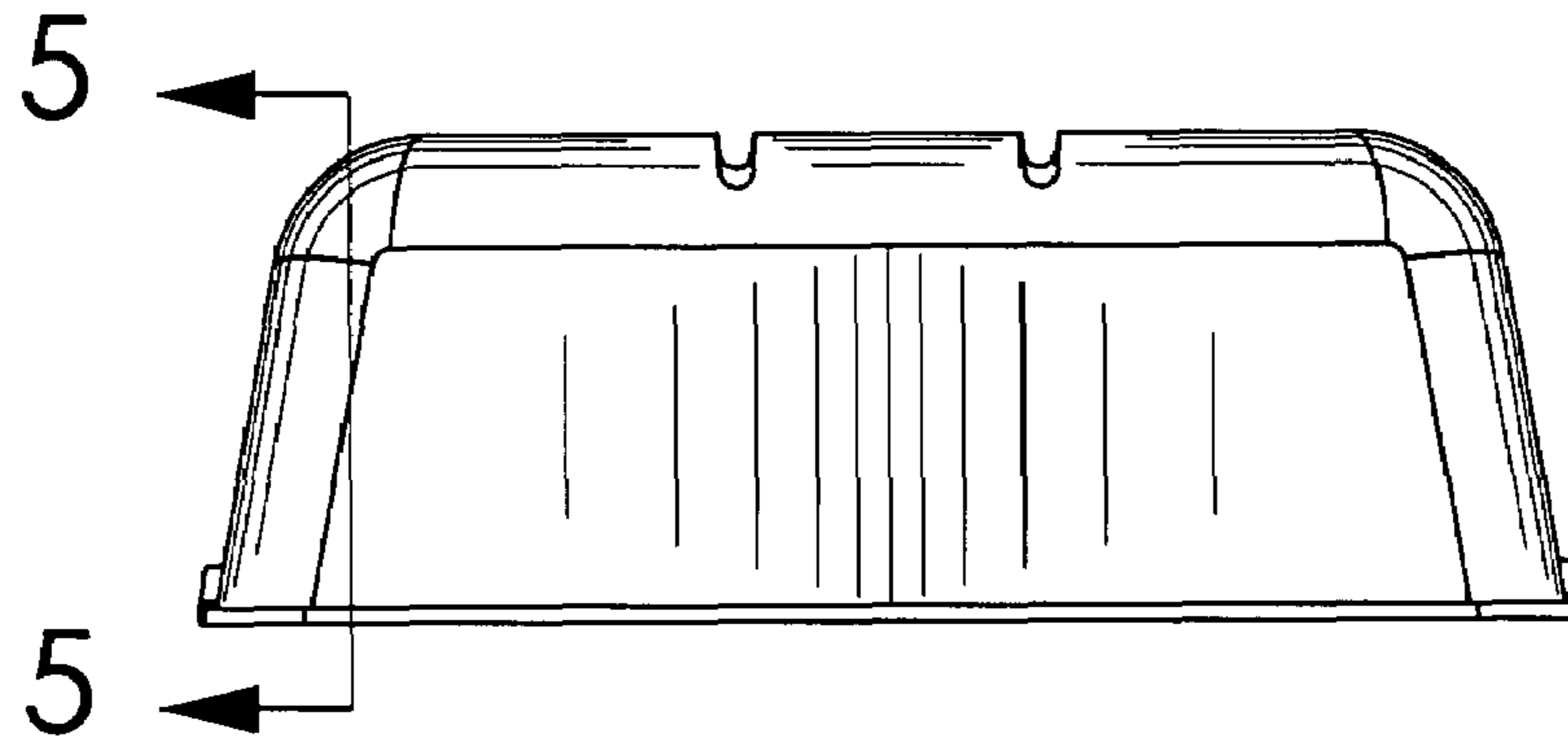


FIG. 2

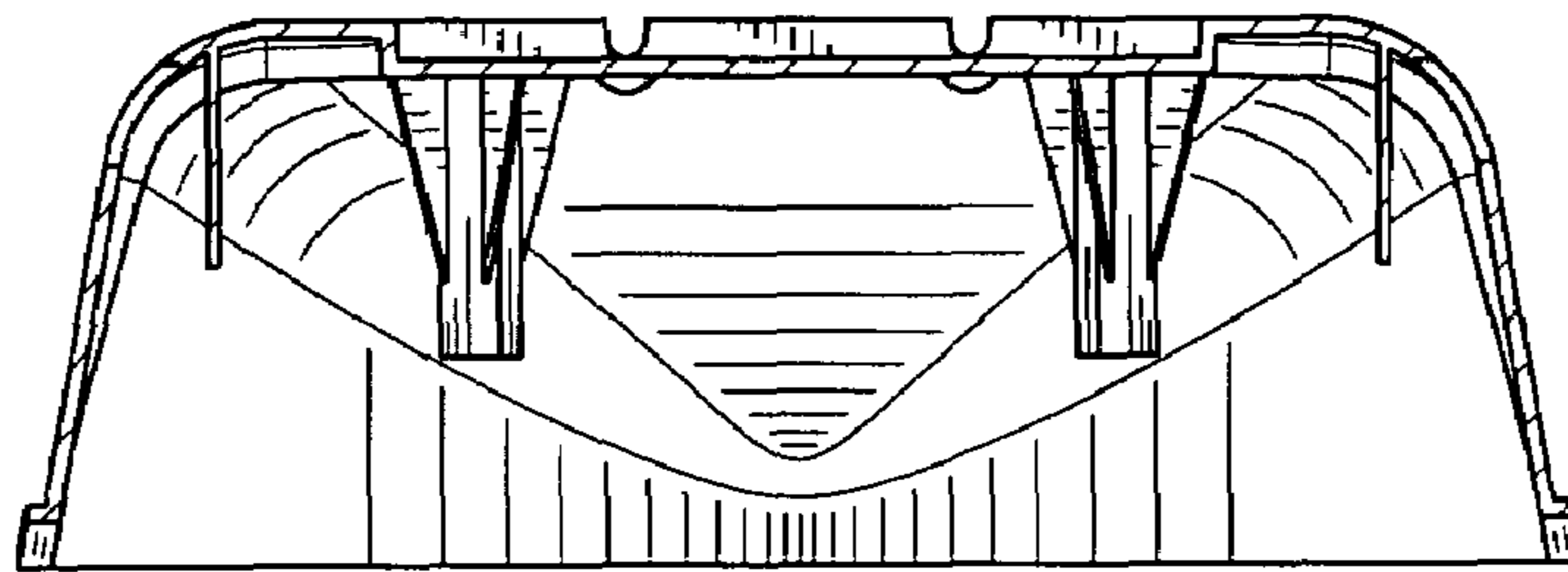


FIG. 3

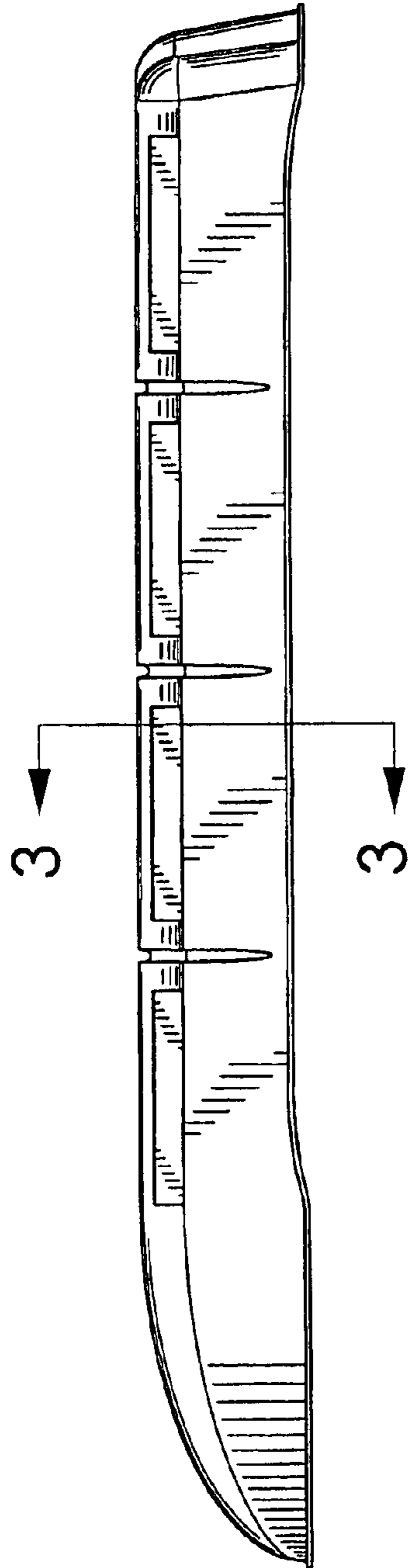


FIG. 4

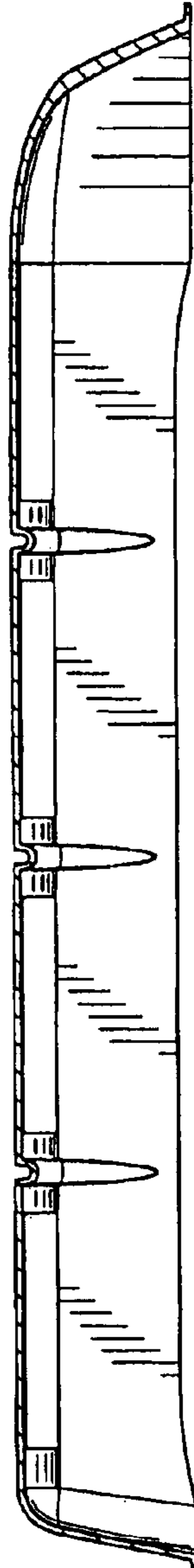


FIG. 5

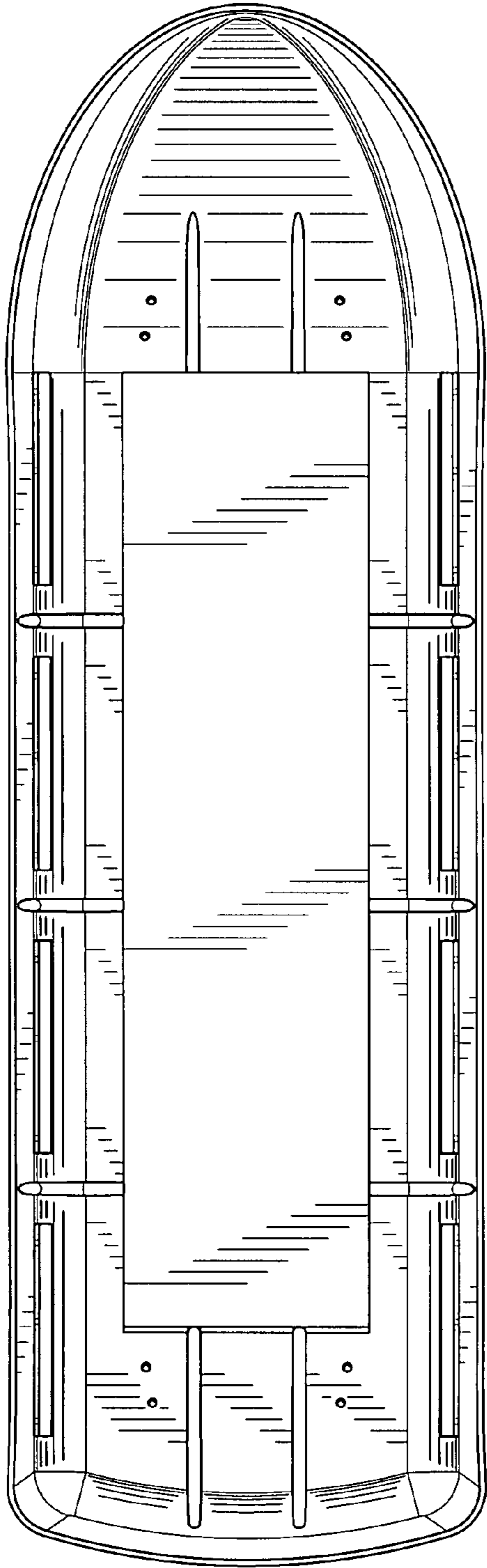


FIG. 6

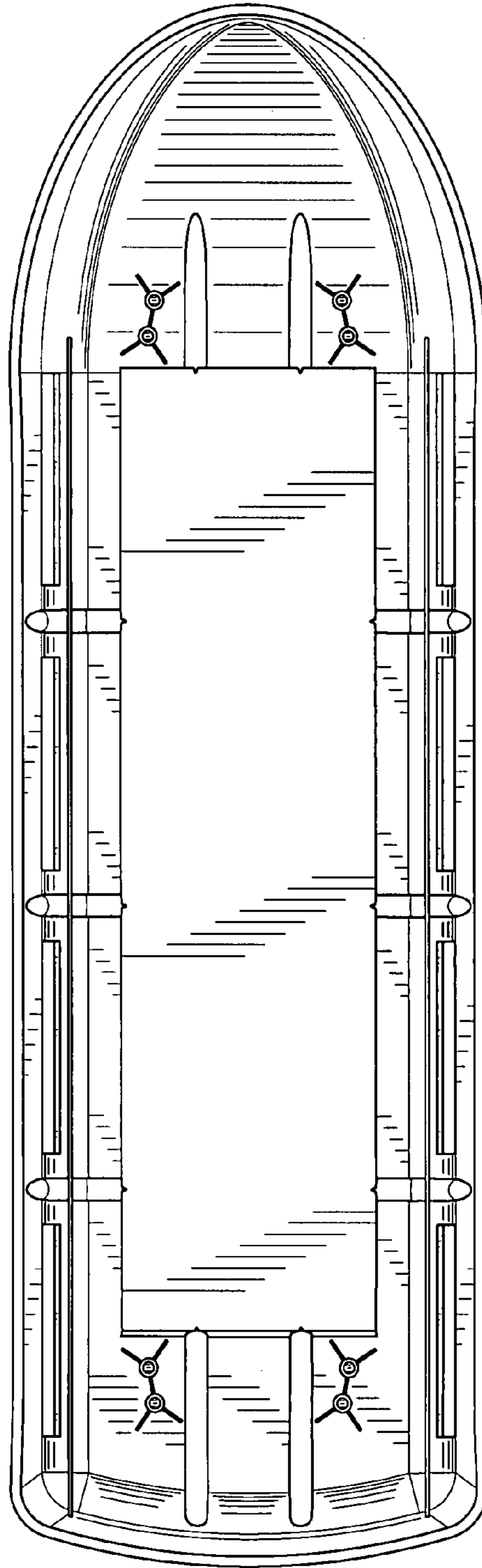


FIG. 7

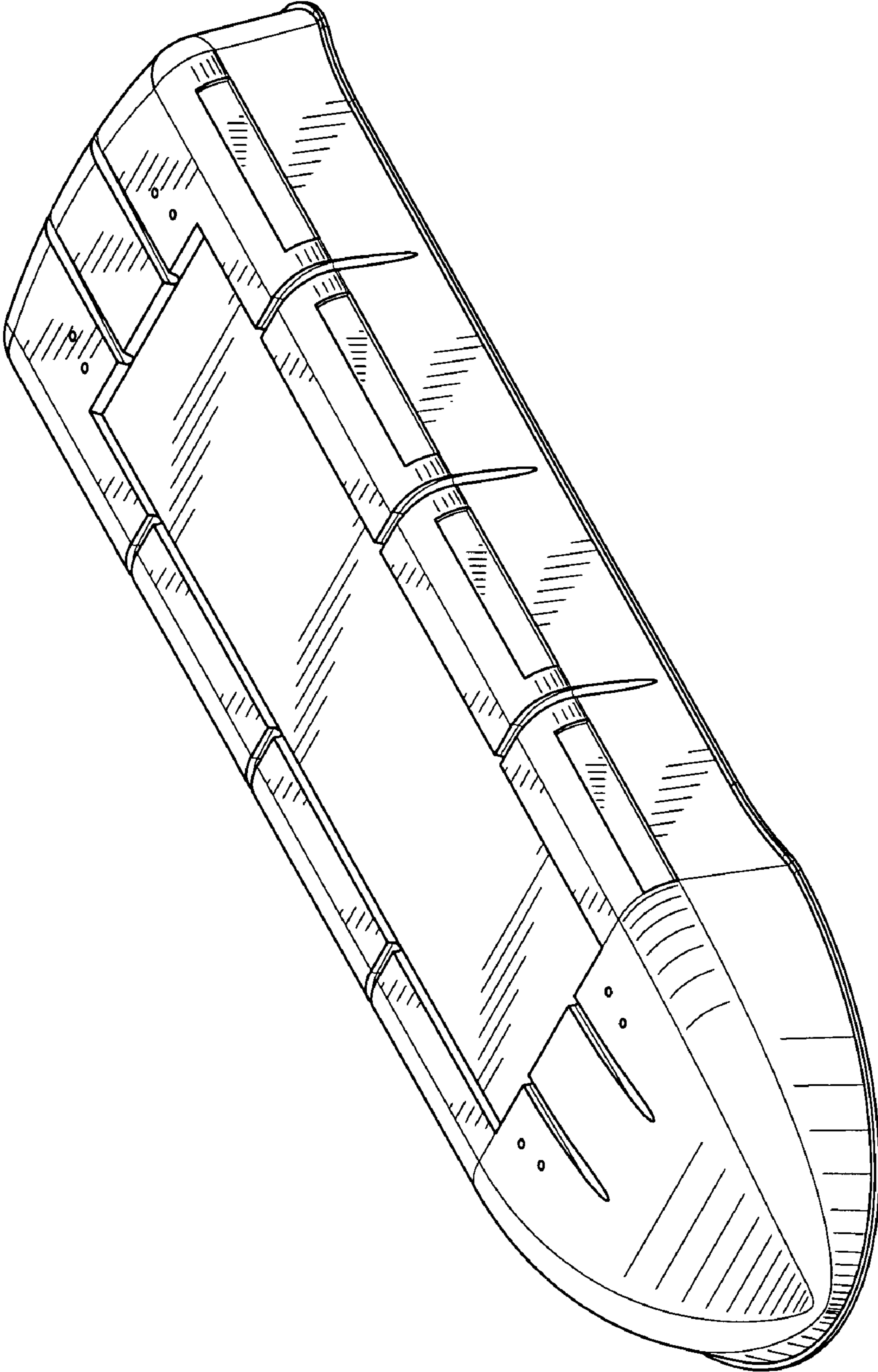


FIG. 8

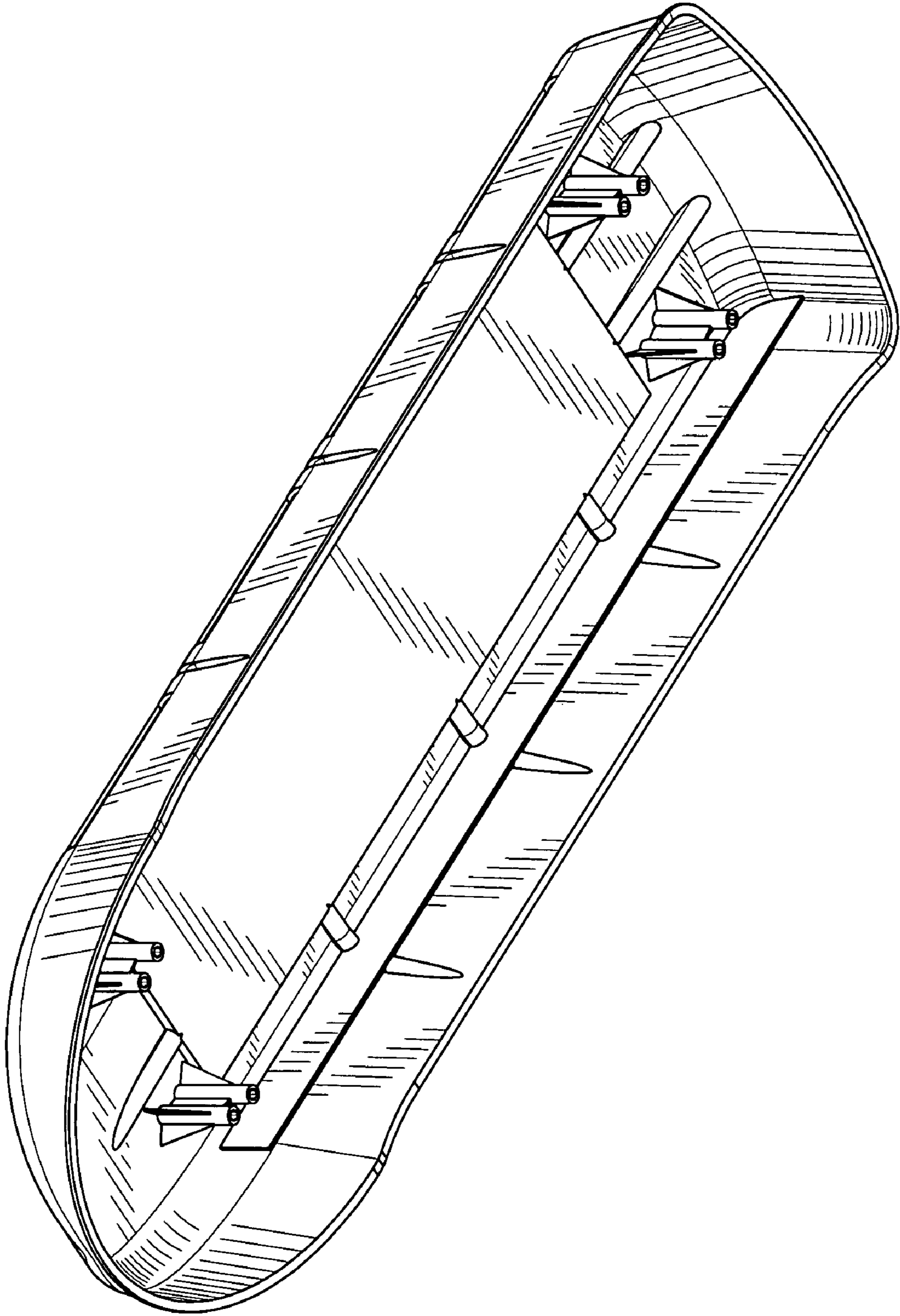


FIG. 9