



US00D574477S

(12) **United States Design Patent**
Spiegel

(10) **Patent No.:** **US D574,477 S**

(45) **Date of Patent:** **** Aug. 5, 2008**

(54) **AIR PURIFIER**

(75) Inventor: **Peter Spiegel**, Lake Balboa, CA (US)

(73) Assignee: **Sylmark Holdings Limited** (IE)

(**) Term: **14 Years**

(21) Appl. No.: **29/304,863**

(22) Filed: **Mar. 7, 2008**

(51) **LOC (8) Cl.** **23-04**

(52) **U.S. Cl.** **D23/364**

(58) **Field of Classification Search** D23/364,
D23/355, 356, 359, 360, 362, 352, 366, 369,
D23/332, 333, 335, 336, 342, 351; 422/120,
422/122; 55/356, 473, 504; 96/97; D14/188,
D14/170, 172; 261/DIG. 17, DIG. 65, DIG. 88,
261/DIG. 31

See application file for complete search history.

(56) **References Cited**

U.S. PATENT DOCUMENTS

D468,006 S	*	12/2002	Gao	D23/336
D483,457 S	*	12/2003	Wang	D23/336
D499,473 S	*	12/2004	Ching	D23/332
D516,192 S	*	2/2006	Kang	D23/356
D523,128 S	*	6/2006	Zhu	D23/364
D533,264 S	*	12/2006	Blateri	D23/335

D536,431 S	*	2/2007	Campbell et al.	D23/356
D539,886 S	*	4/2007	Urfig et al.	D23/351
D539,892 S	*	4/2007	Caserta et al.	D23/366
D540,453 S	*	4/2007	Wang	D23/356
D550,827 S	*	9/2007	Ediger et al.	D23/364
D554,745 S	*	11/2007	Urfig	D23/351
D565,713 S	*	4/2008	Gao	D23/356

* cited by examiner

Primary Examiner—Louis S Zarfaz

Assistant Examiner—David G Muller

(74) *Attorney, Agent, or Firm*—Kathy Mojibi Kavcioglu

(57) **CLAIM**

I claim the ornamental design of an air purifier, as shown and described.

DESCRIPTION

FIG. 1 is a perspective view of a preferred embodiment of the air purifier of the present invention;

FIG. 2 is a front view thereof;

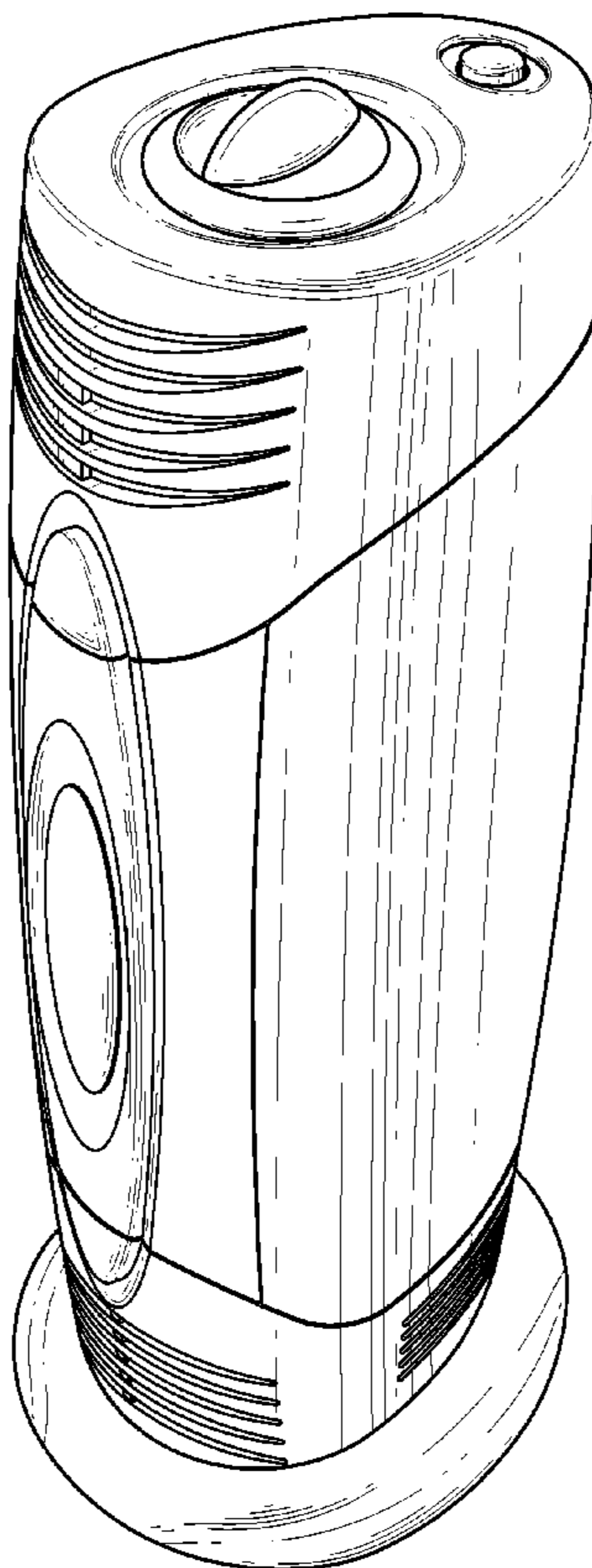
FIG. 3 is a side view thereof;

FIG. 4 is a rear view thereof;

FIG. 5 is a top plan view thereof; and,

FIG. 6 is a bottom view thereof.

1 Claim, 6 Drawing Sheets



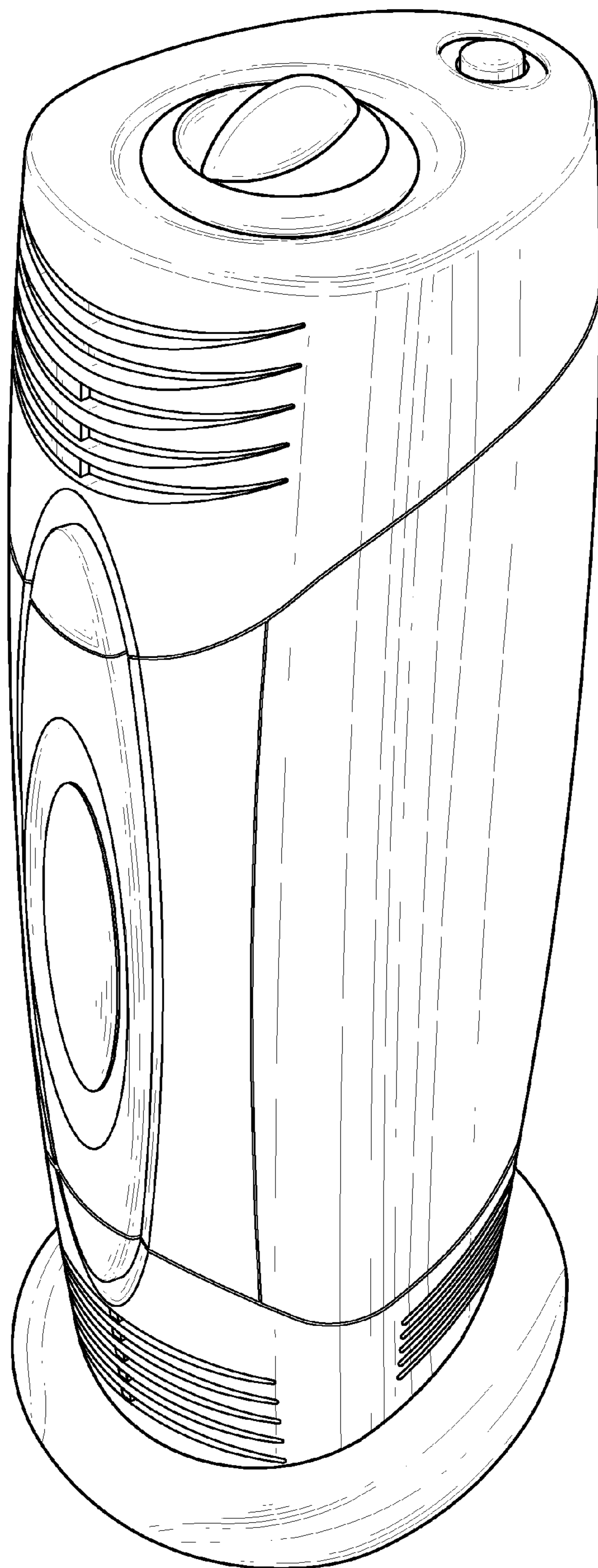


FIG. 1

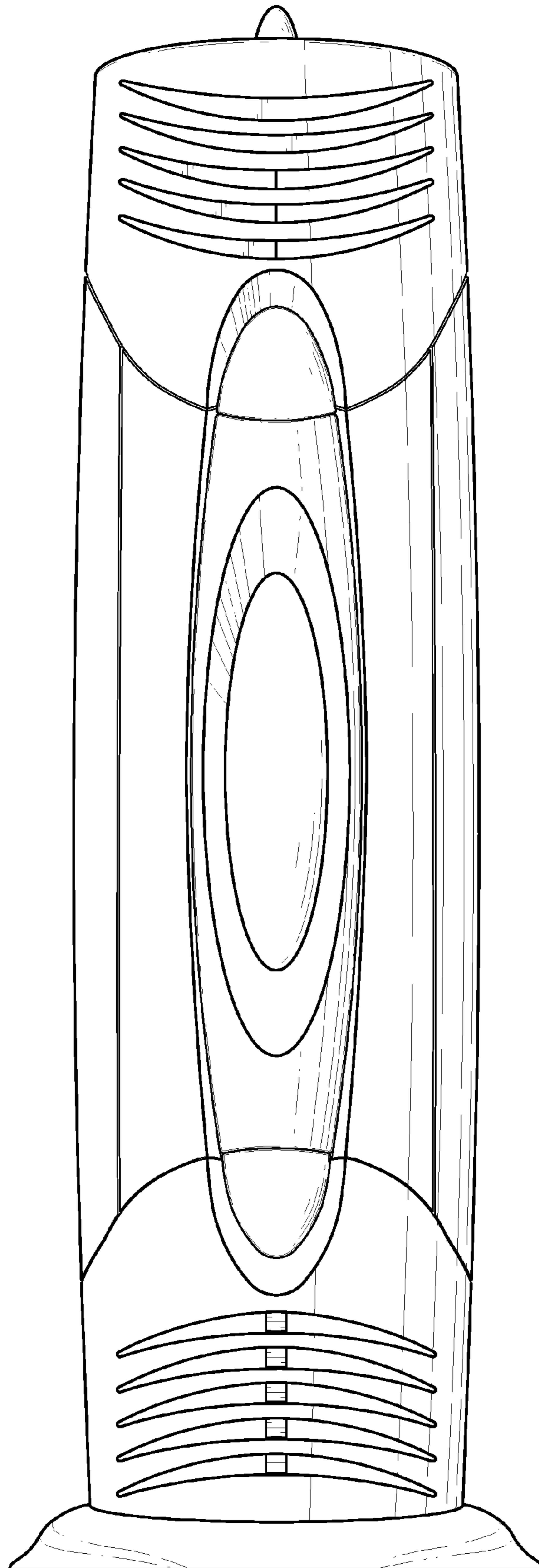


FIG. 2

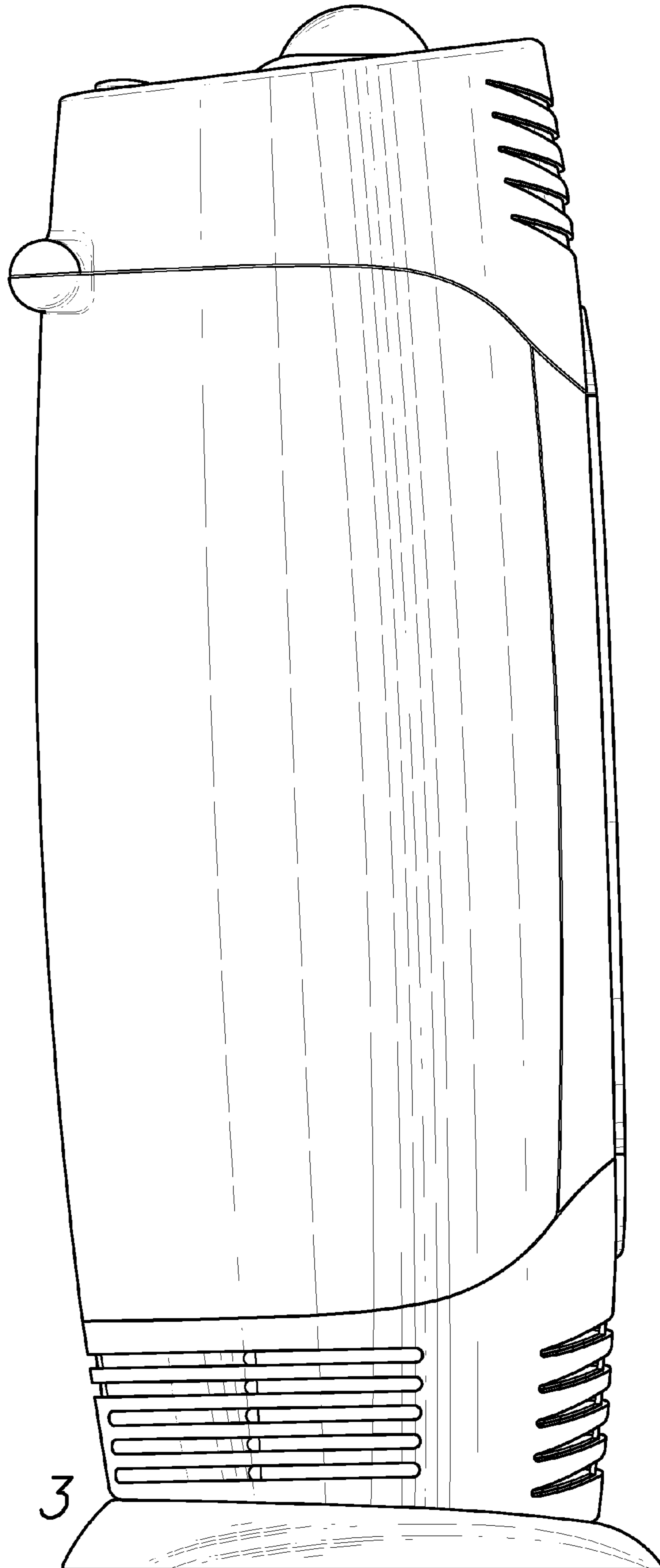


FIG. 3

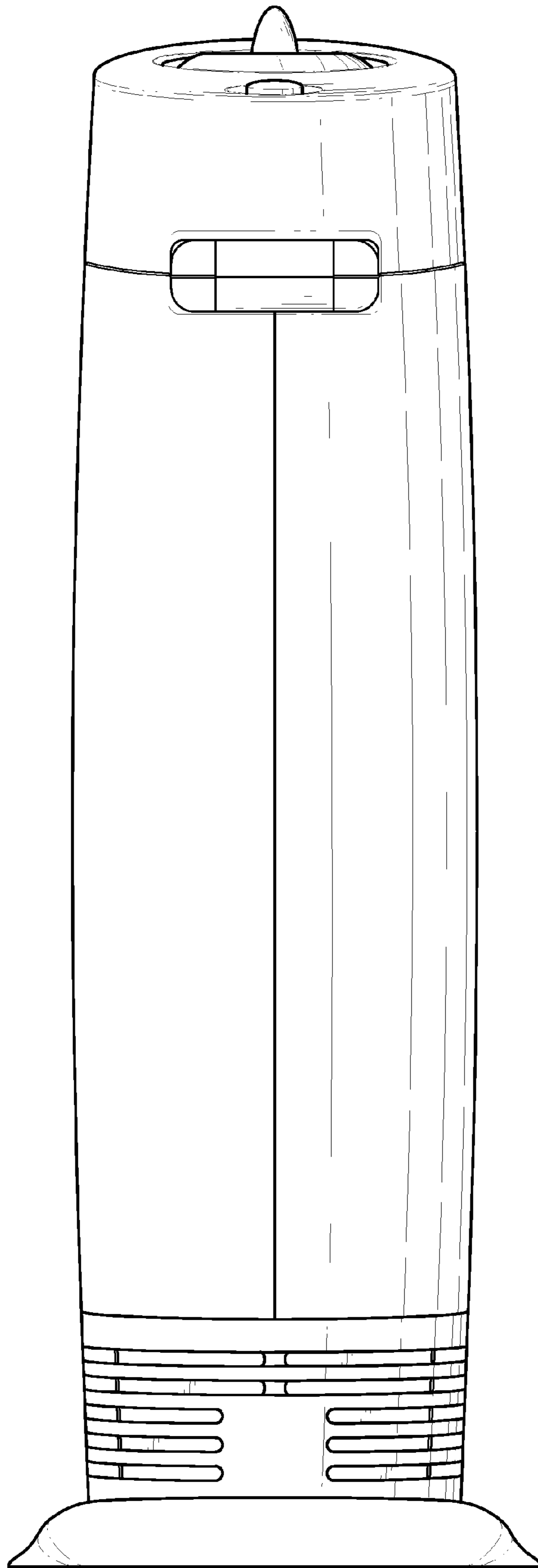


FIG. 4

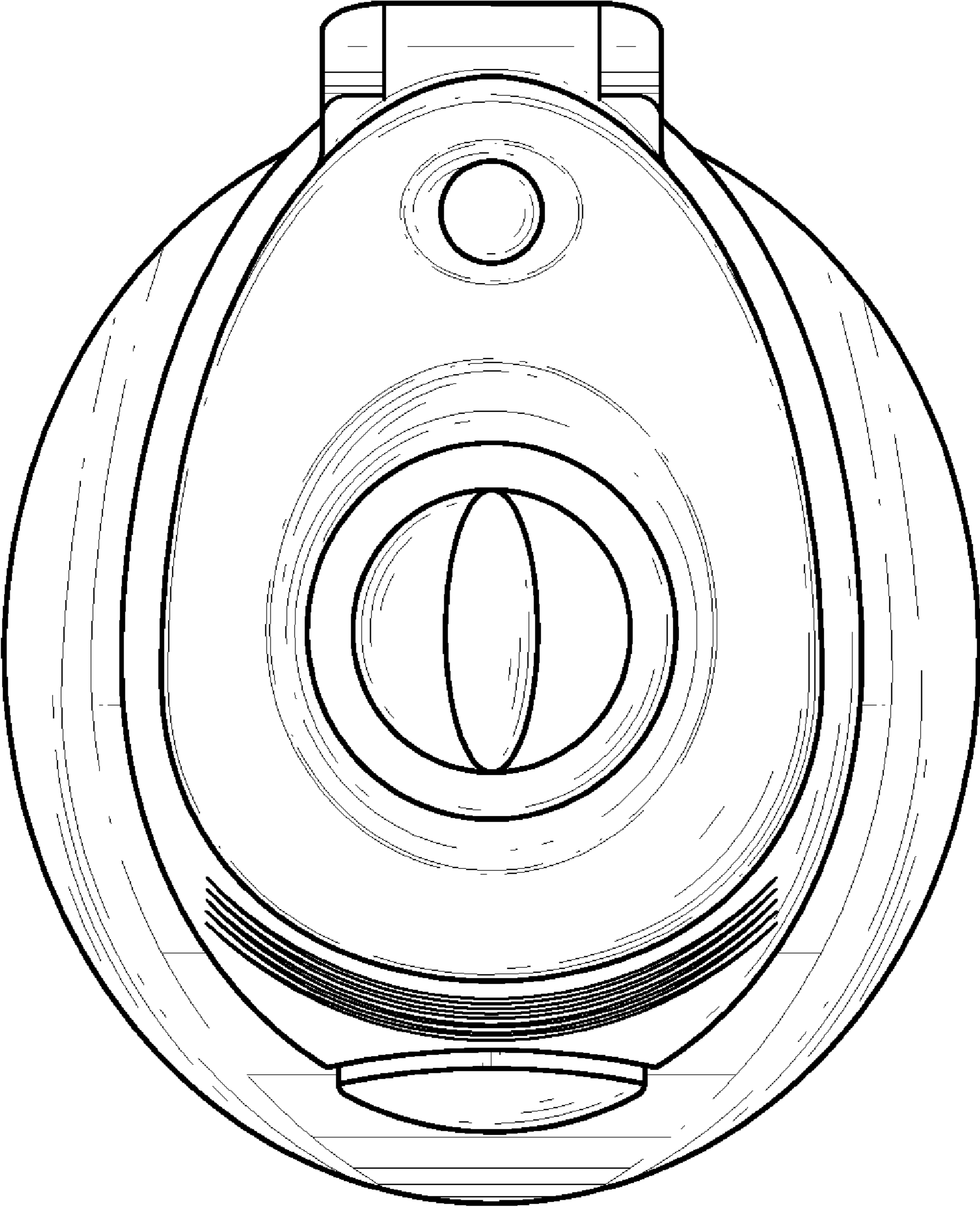


FIG. 5

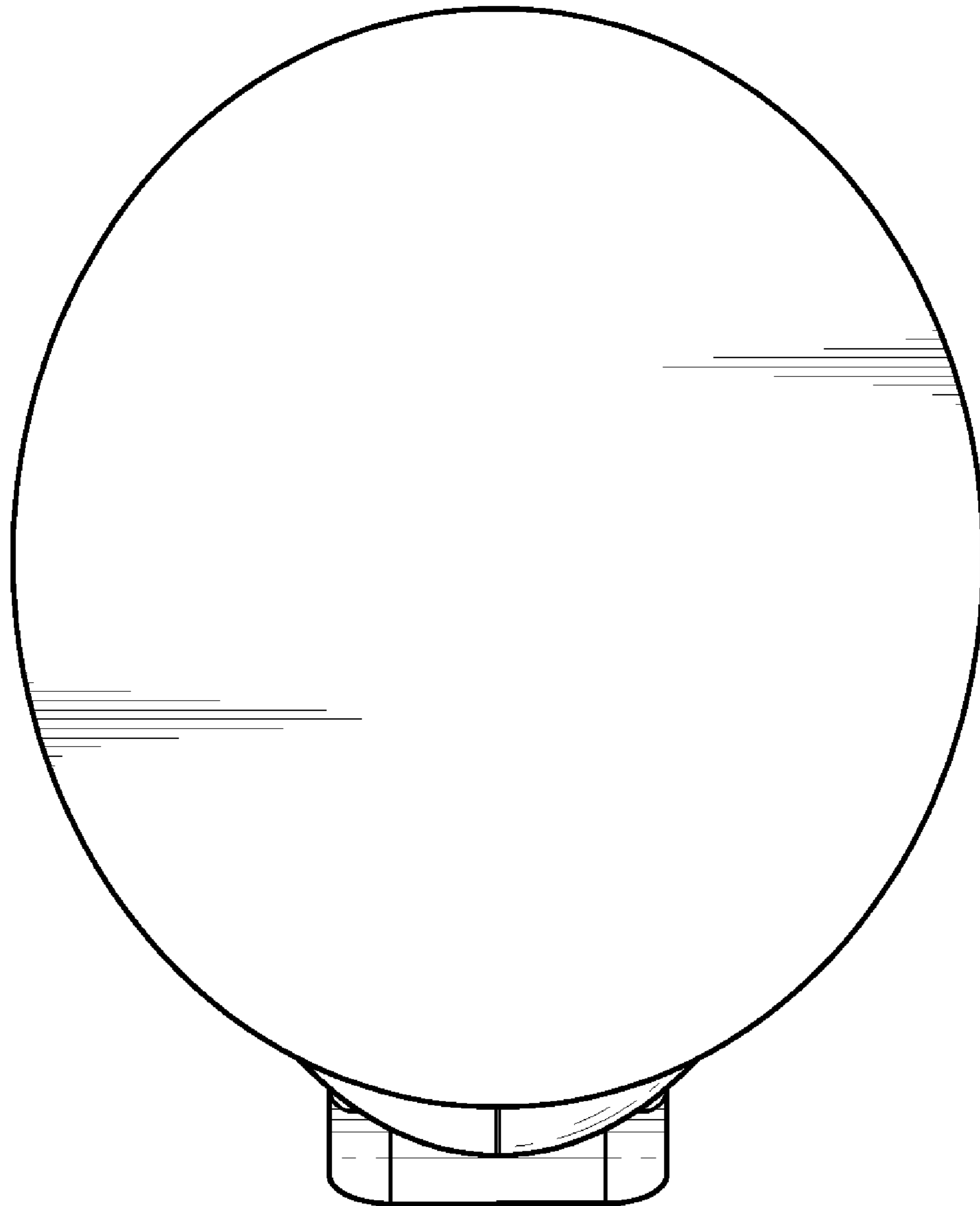


FIG. 6