



US00D574472S

(12) **United States Design Patent**
Kanao

(10) **Patent No.:** **US D574,472 S**

(45) **Date of Patent:** **** Aug. 5, 2008**

(54) **PIPE CONNECTOR**

(75) Inventor: **Shigeki Kanao**, Nishinomiya (JP)

(73) Assignee: **Kanaflex Corporation, Inc.**, Osaka-Shi (JP)

(**) Term: **14 Years**

(21) Appl. No.: **29/252,389**

(22) Filed: **Jan. 23, 2006**

(30) **Foreign Application Priority Data**

Jul. 25, 2005 (JP) D2005-021514

(51) **LOC (8) Cl.** **23-01**

(52) **U.S. Cl.** **D23/262**

(58) **Field of Classification Search** D12/204–213;
D23/262–266, 386–387, 393–394, 421, 499;
16/2, 108–109; 52/95, 302.3; 138/109; 277/27 A;
285/1, 53, 363, 424; 301/64.1, 65, 37.1;
454/237, 250, 275–276, 317; 439/192

See application file for complete search history.

(56) **References Cited**

U.S. PATENT DOCUMENTS

1,221,425	A *	4/1917	Dremel	24/279
3,966,237	A *	6/1976	Thiessen	285/112
4,176,865	A *	12/1979	Felton et al.	285/373
5,301,986	A *	4/1994	Yehezkeili	285/367
D360,018	S *	7/1995	Sonden et al.	D23/262
D451,457	S *	12/2001	Hale, Jr.	D12/208
6,447,029	B1 *	9/2002	Ahn	285/419
D466,652	S *	12/2002	Thurman	D23/393
6,832,786	B2 *	12/2004	Duncan et al.	285/23
D504,503	S *	4/2005	Thurman	D23/393
6,877,780	B2 *	4/2005	Potts et al.	285/420

6,899,359	B2 *	5/2005	Presby	285/420
2003/0015872	A1 *	1/2003	Potts et al.	285/420
2006/0284420	A1 *	12/2006	Dole	285/367

* cited by examiner

Primary Examiner—Louis S Zarfaz

Assistant Examiner—Eric L Goodman

(74) *Attorney, Agent, or Firm*—Kratz, Quintos & Hanson, LLP.

(57) **CLAIM**

The ornamental design for a pipe connector, as shown and described.

DESCRIPTION

FIG. 1 is a front view of the pipe connector,

FIG. 2 is a back view thereof;

FIG. 3 is a top plan view thereof;

FIG. 4 is a bottom plan view thereof;

FIG. 5 is a left side view thereof;

FIG. 6 is a right side view thereof;

FIG. 7 is an enlarged view, as indicated in FIG. 5;

FIG. 8 is a reference view showing a state of being used thereof;

FIG. 9 is a cross-sectional view along lines 9—9 as shown in FIG. 1;

FIG. 10 is an exploded perspective view thereof; and,

FIG. 11 is a perspective view thereof.

The broken line showing is included for the purpose of illustrating environmental structure and forms no part of the claimed design.

1 Claim, 11 Drawing Sheets

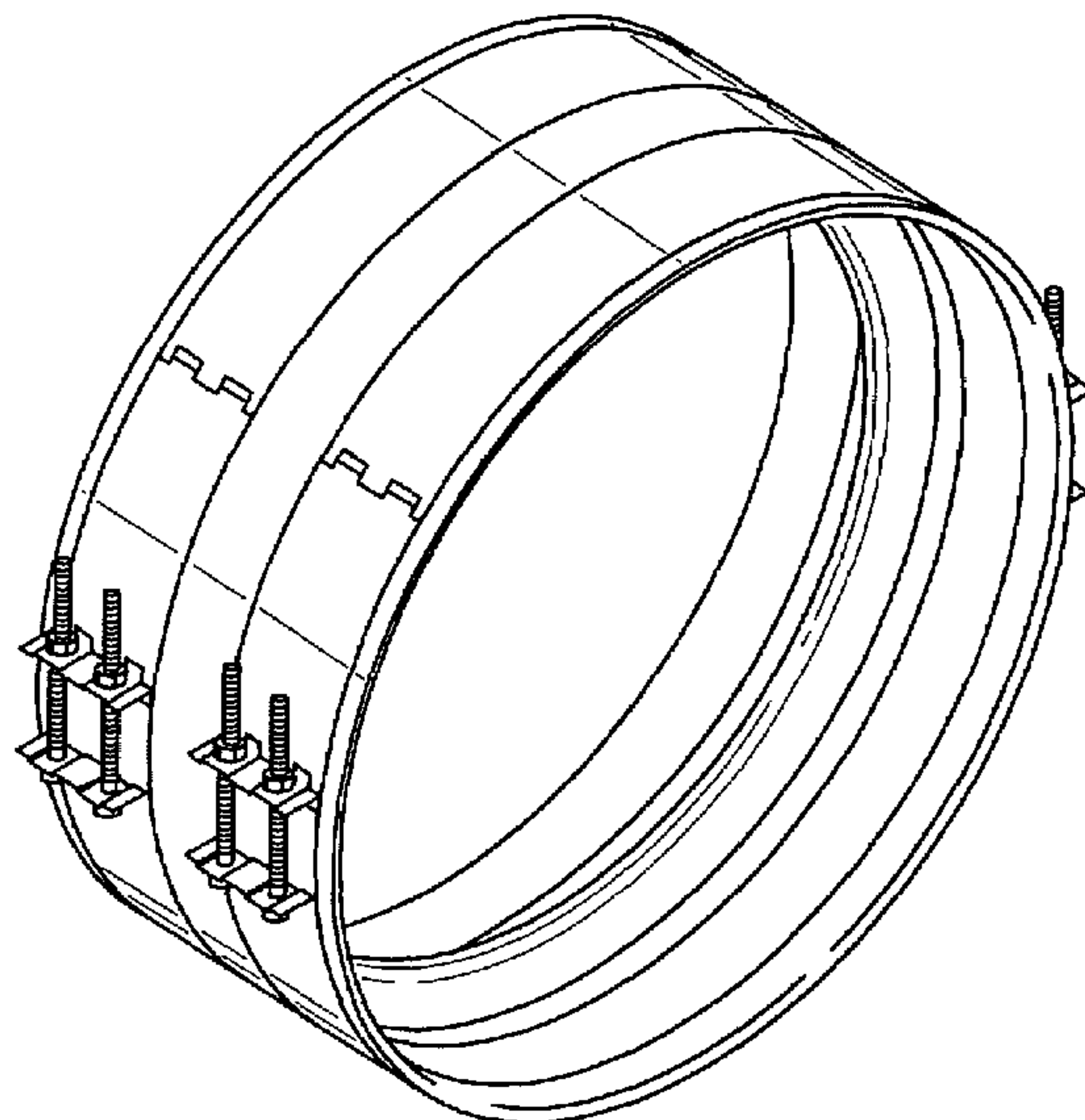


FIG. 1

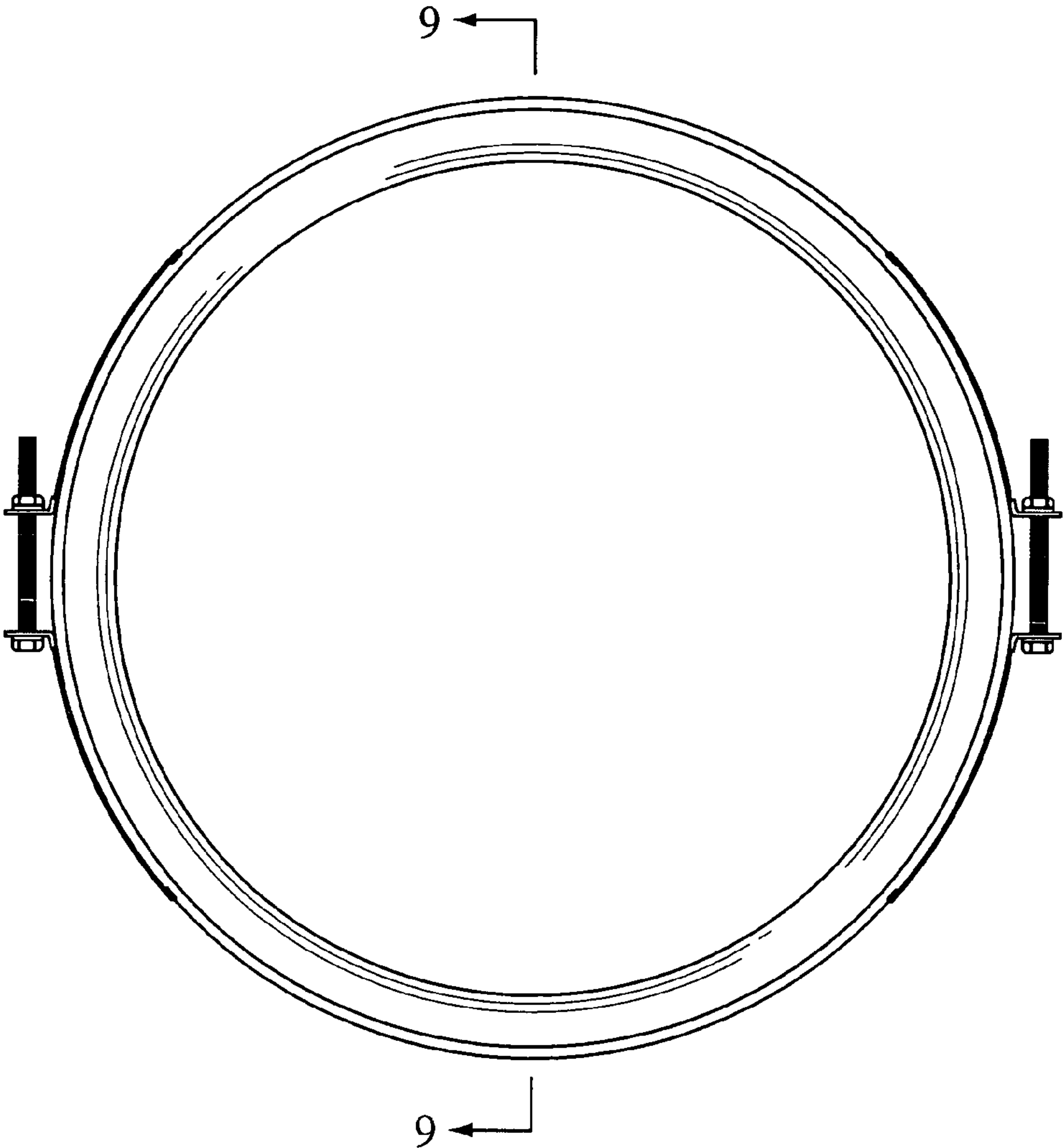


FIG.2

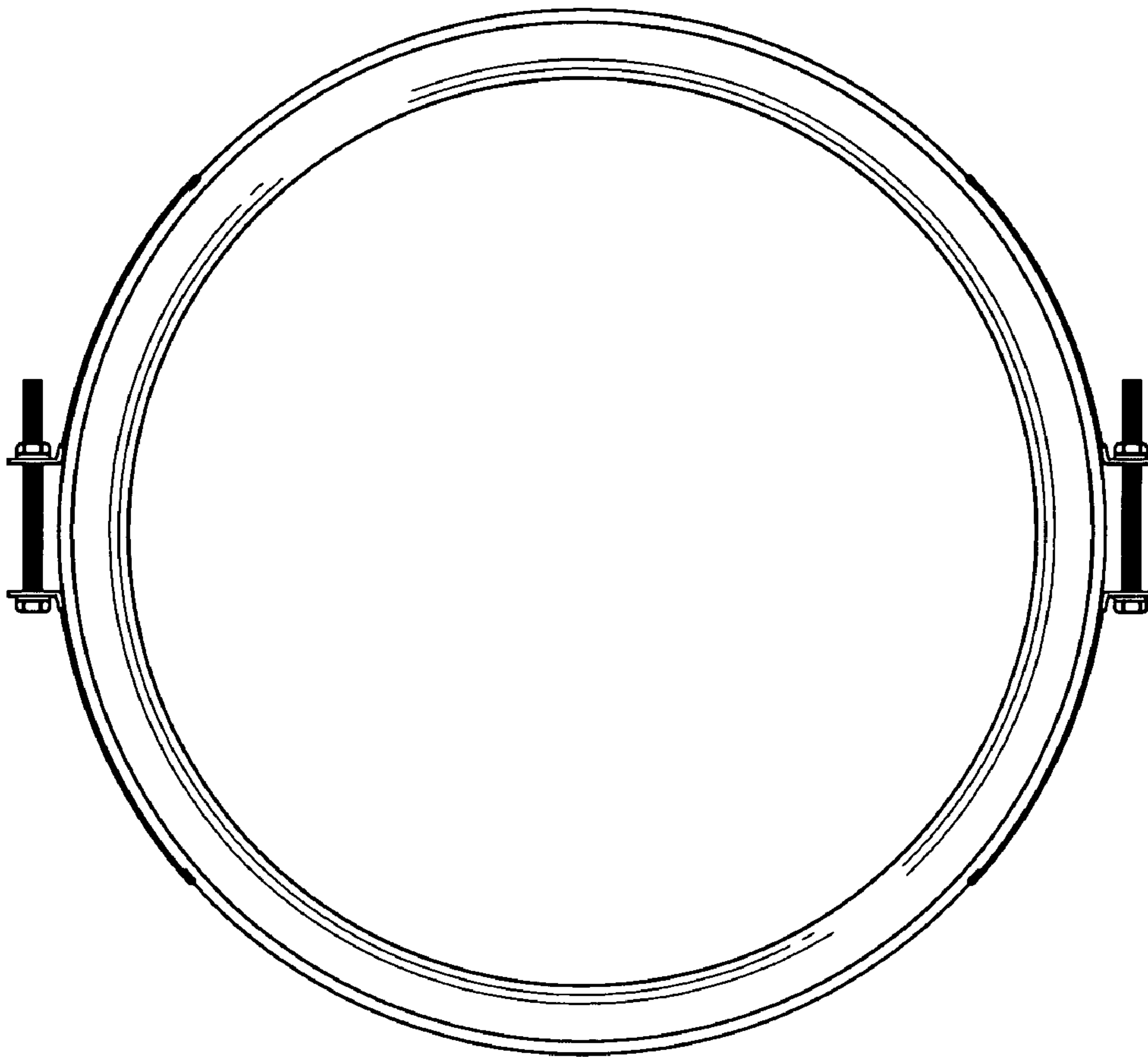


FIG.3

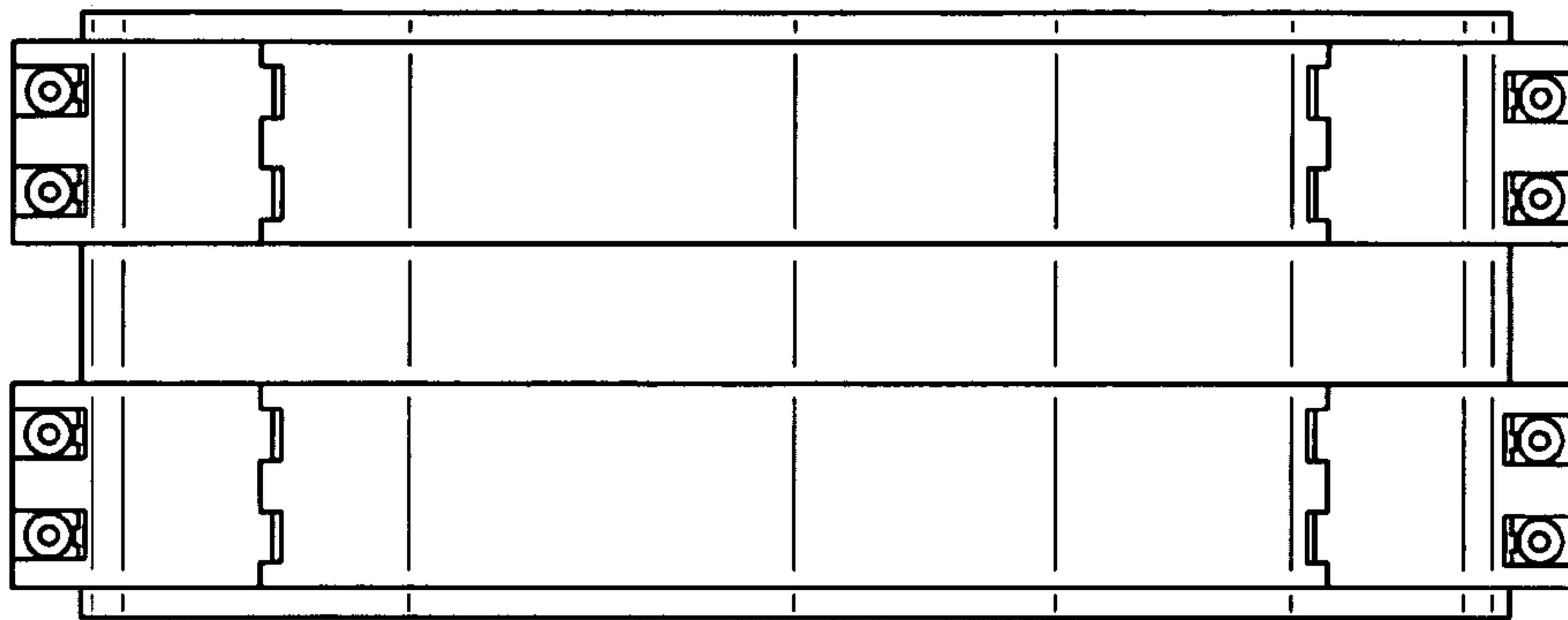


FIG.4

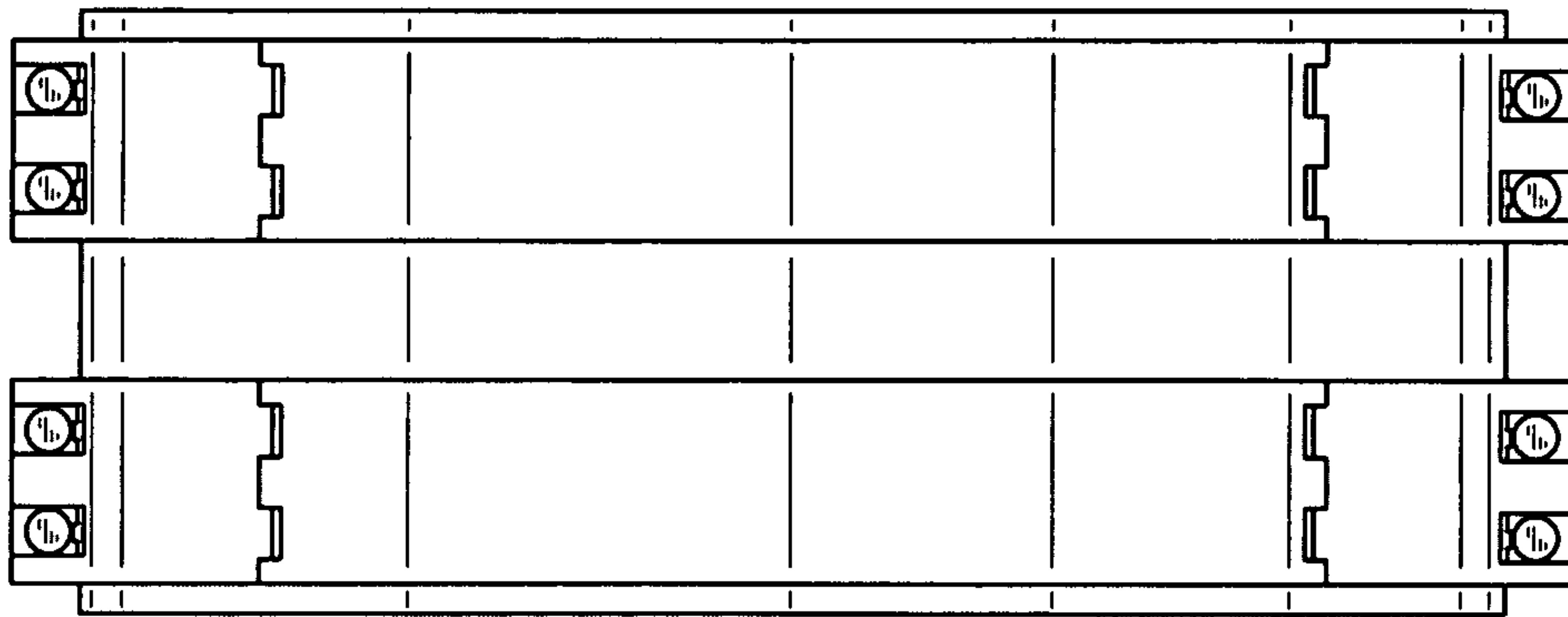


FIG. 5

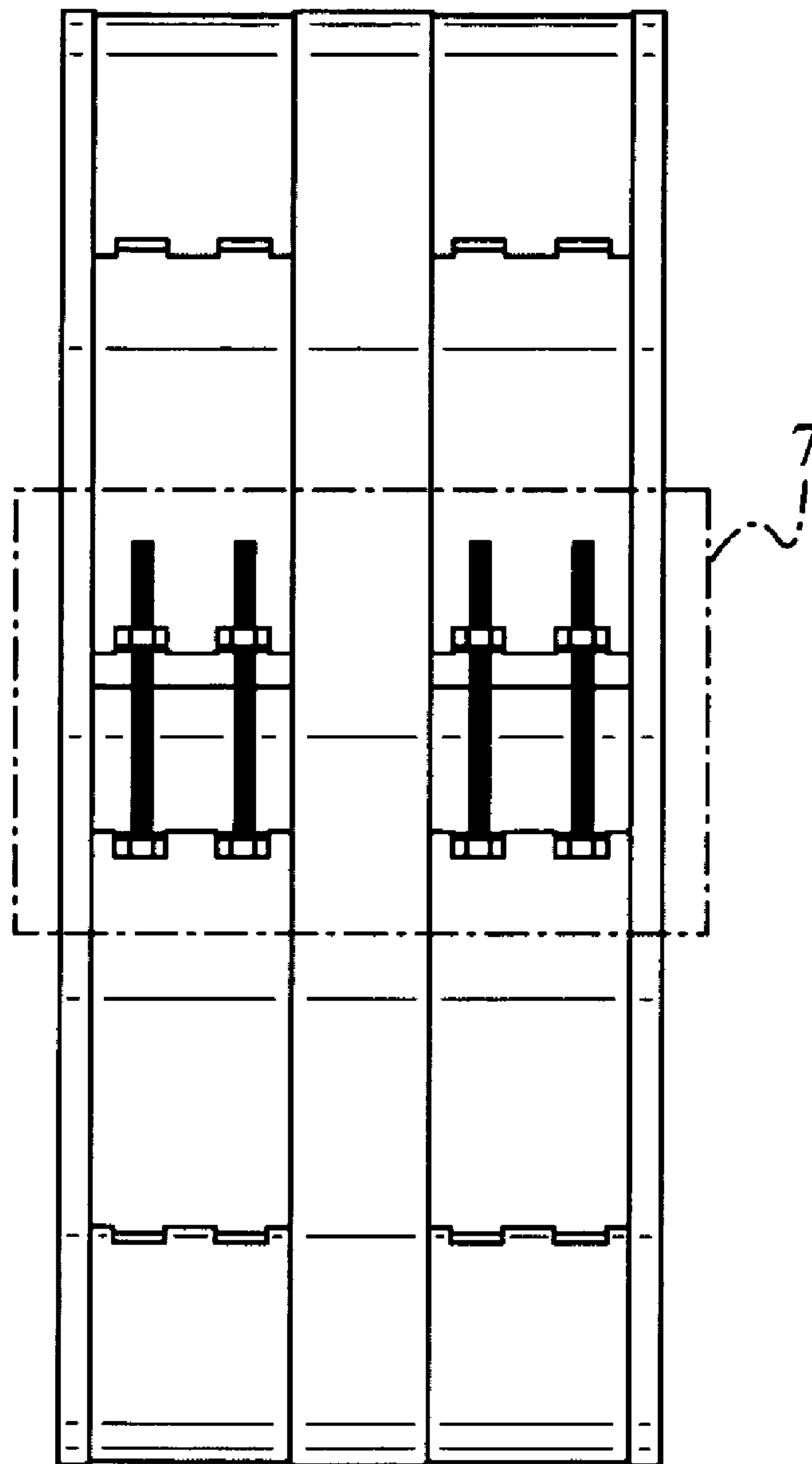


FIG. 6

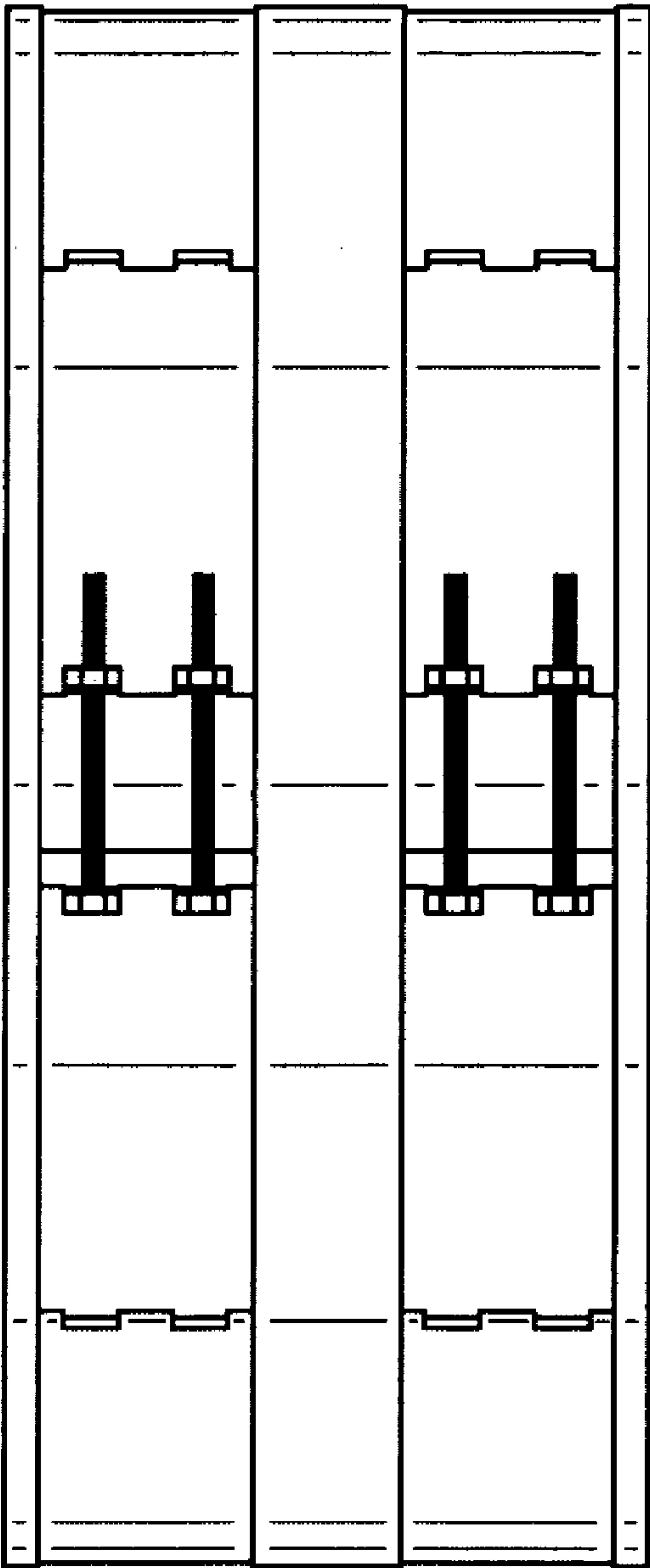


FIG. 7

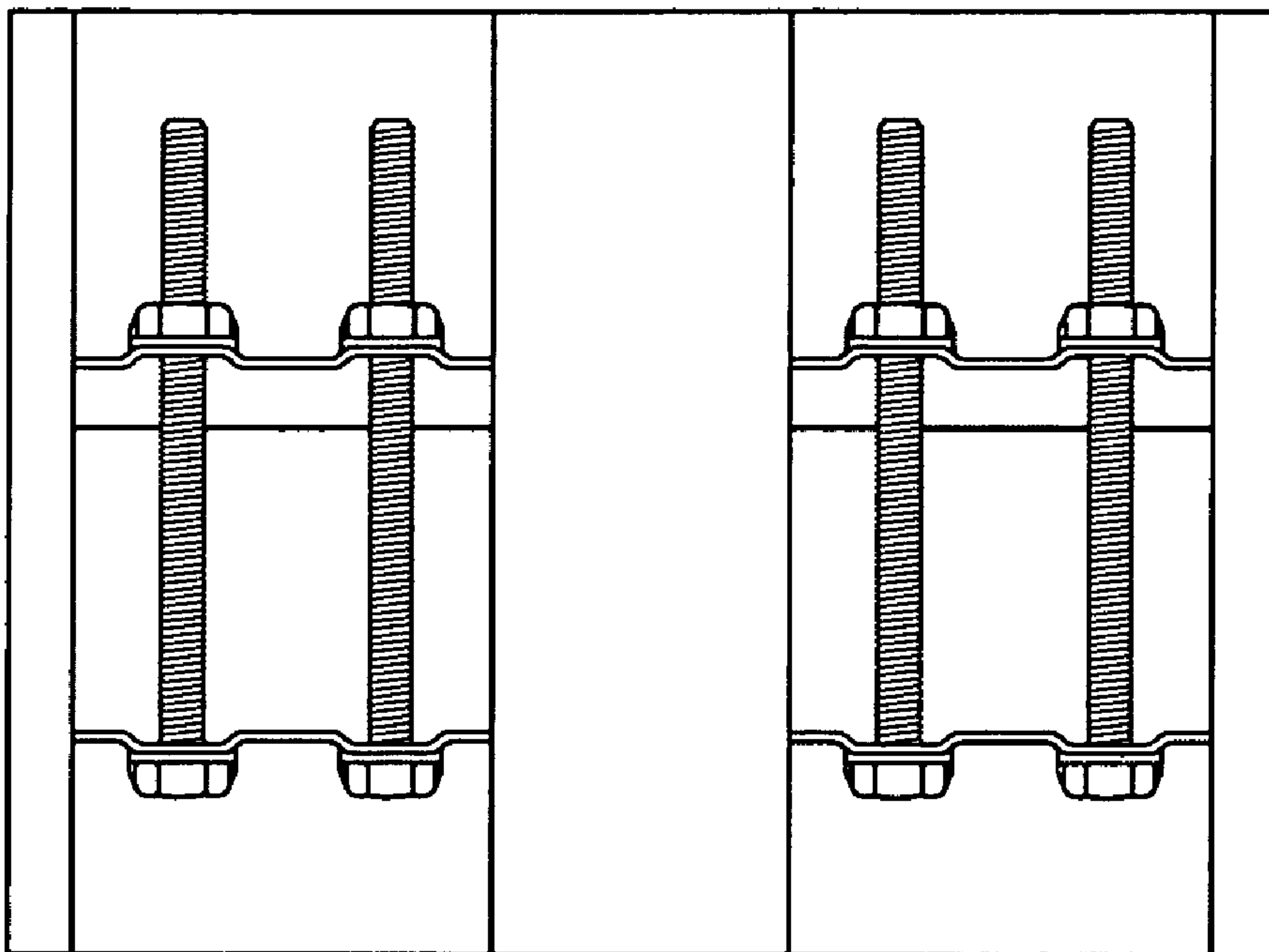


FIG. 8

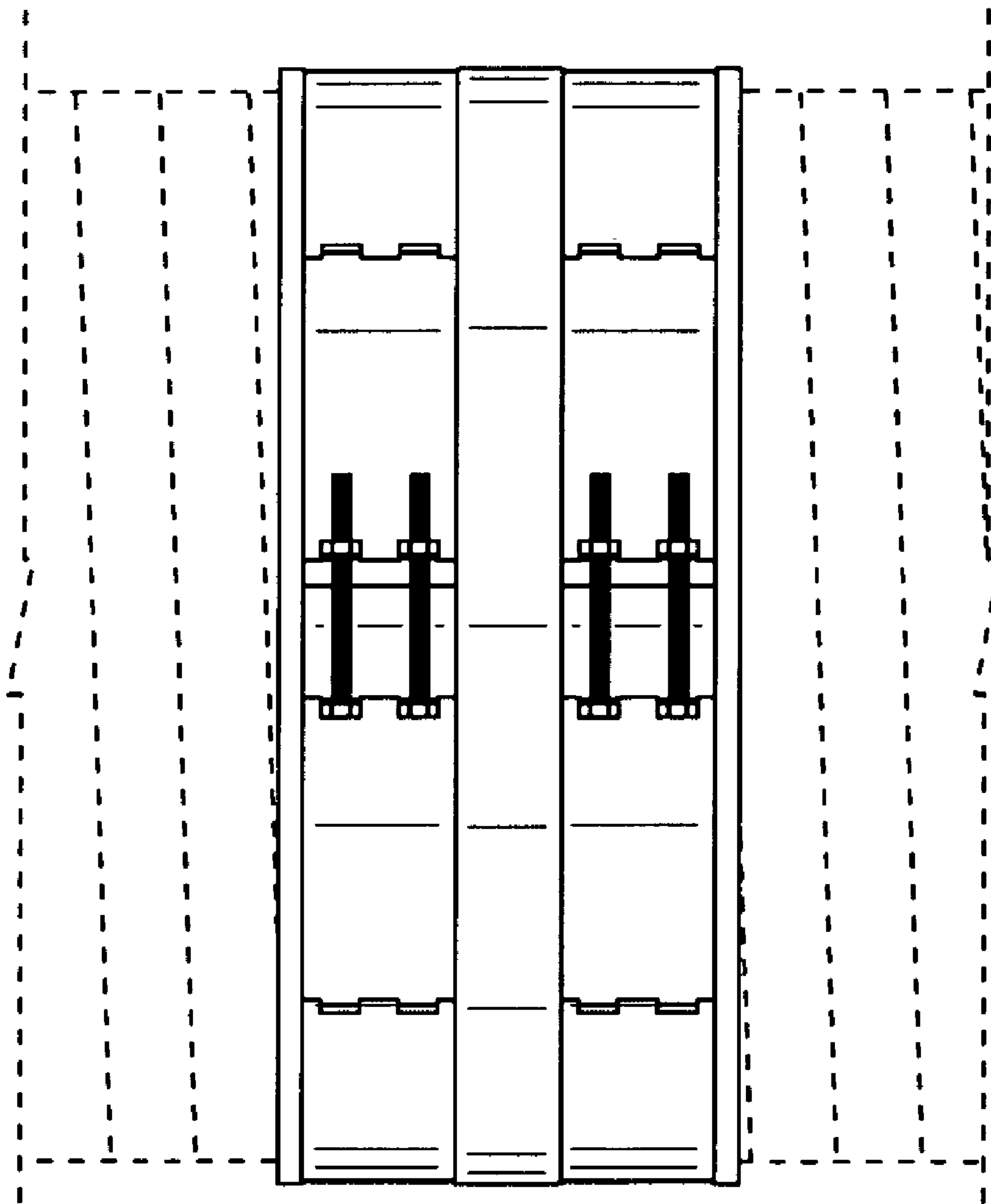


FIG. 9

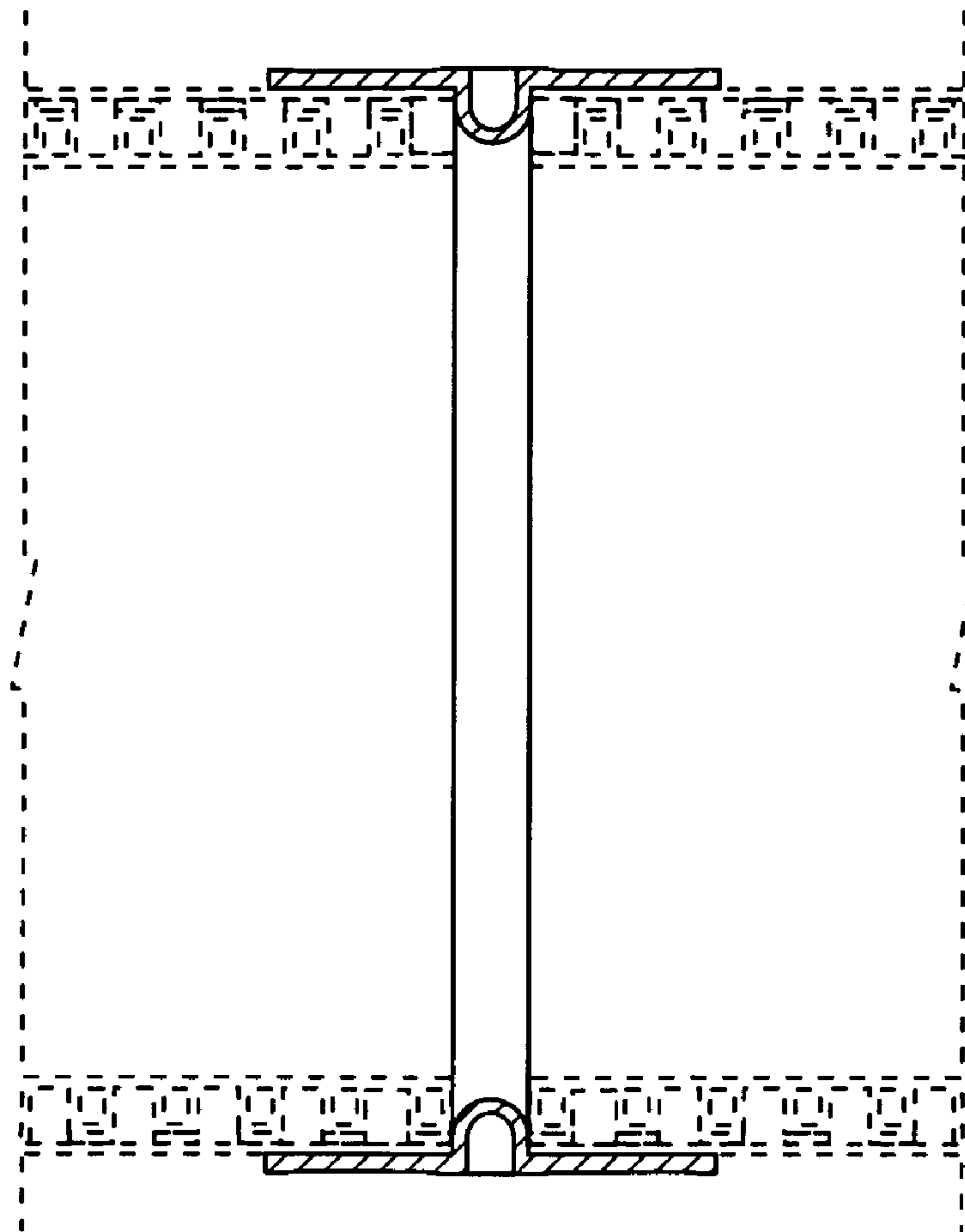


FIG. 10

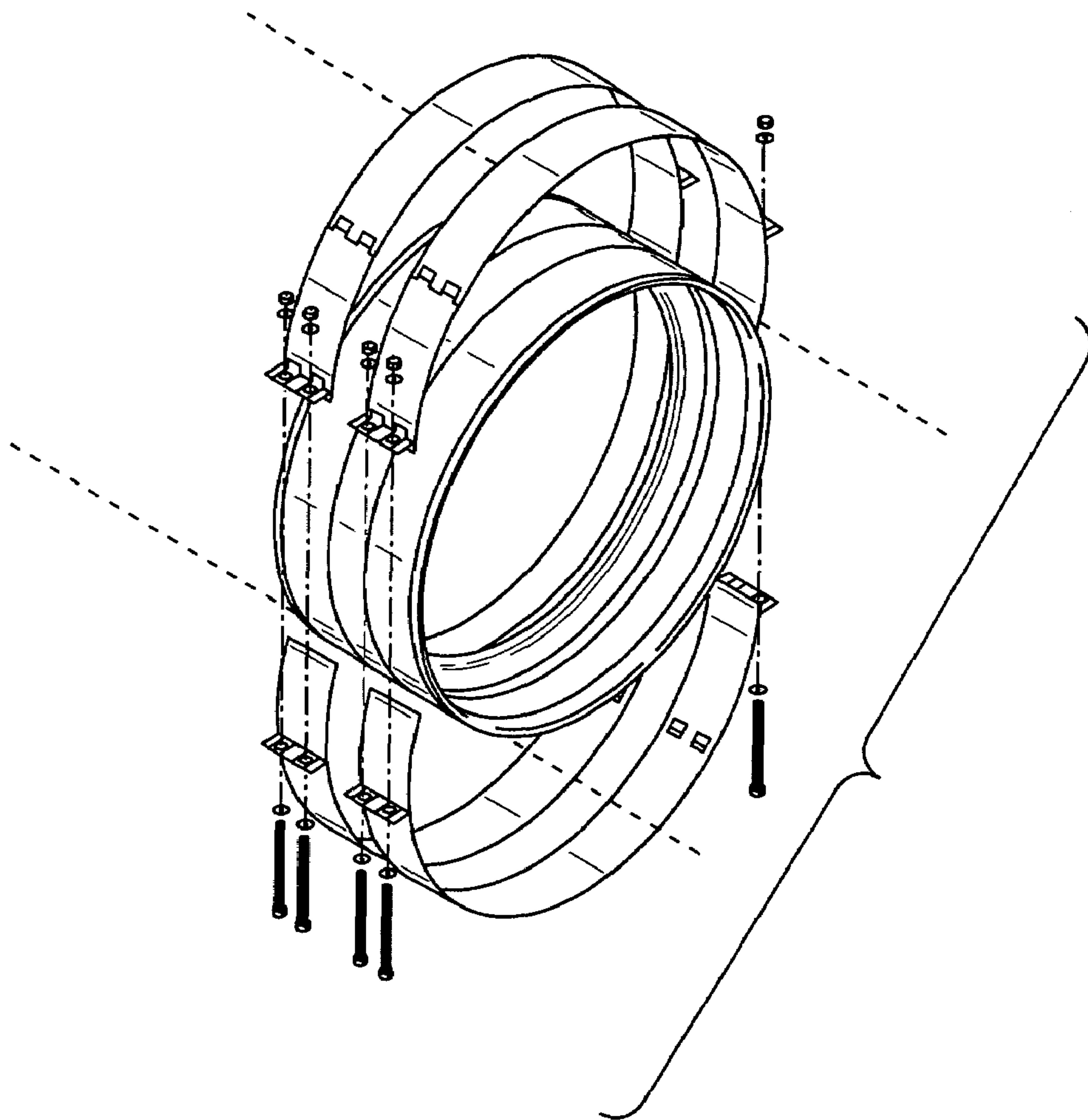


FIG. 11

