



US00D574468S

(12) **United States Design Patent**
Wolf

(10) **Patent No.:** **US D574,468 S**

(45) **Date of Patent:** **** Aug. 5, 2008**

(54) **WALL-MOUNT VALVE-OPERATING ASSEMBLY**

(75) Inventor: **Theo Wolf**, Senden (DE)

(73) Assignee: **Grohe AG**, Hemer (DE)

(**) Term: **14 Years**

(21) Appl. No.: **29/273,446**

(22) Filed: **Mar. 6, 2007**

(51) **LOC (8) Cl.** **23-02**

(52) **U.S. Cl.** **D23/254**

(58) **Field of Classification Search** D23/250–257,
D23/238–243, 244–249; 4/675–678; D8/300,
D8/307–308, 310–312, 321; D6/550; 137/801;
16/110.1, 441

See application file for complete search history.

(56) **References Cited**

U.S. PATENT DOCUMENTS

D85,612 S * 11/1931 Gaynor D8/353
D531,275 S * 10/2006 Tsai D23/254

* cited by examiner

Primary Examiner—Robert A Delehanty

(74) *Attorney, Agent, or Firm*—Andrew Wilford

(57) **CLAIM**

The ornamental design for a wall-mount valve-operating assembly, as shown.

DESCRIPTION

FIG. 1 is a perspective view of the wall-mount valve-operating assembly according to the invention;

FIG. 2 is a left-side elevation, the right side being a mirror image thereof;

FIG. 3 is a top plan view thereof;

FIG. 4 is a front-elevation thereof;

FIG. 5 is a rear-elevation thereof; and,

FIG. 6 is a bottom plan views thereof.

The broken circumferential lines shown in FIG. 5 define the unclaimed bounds of the design and form no part thereof.

1 Claim, 4 Drawing Sheets

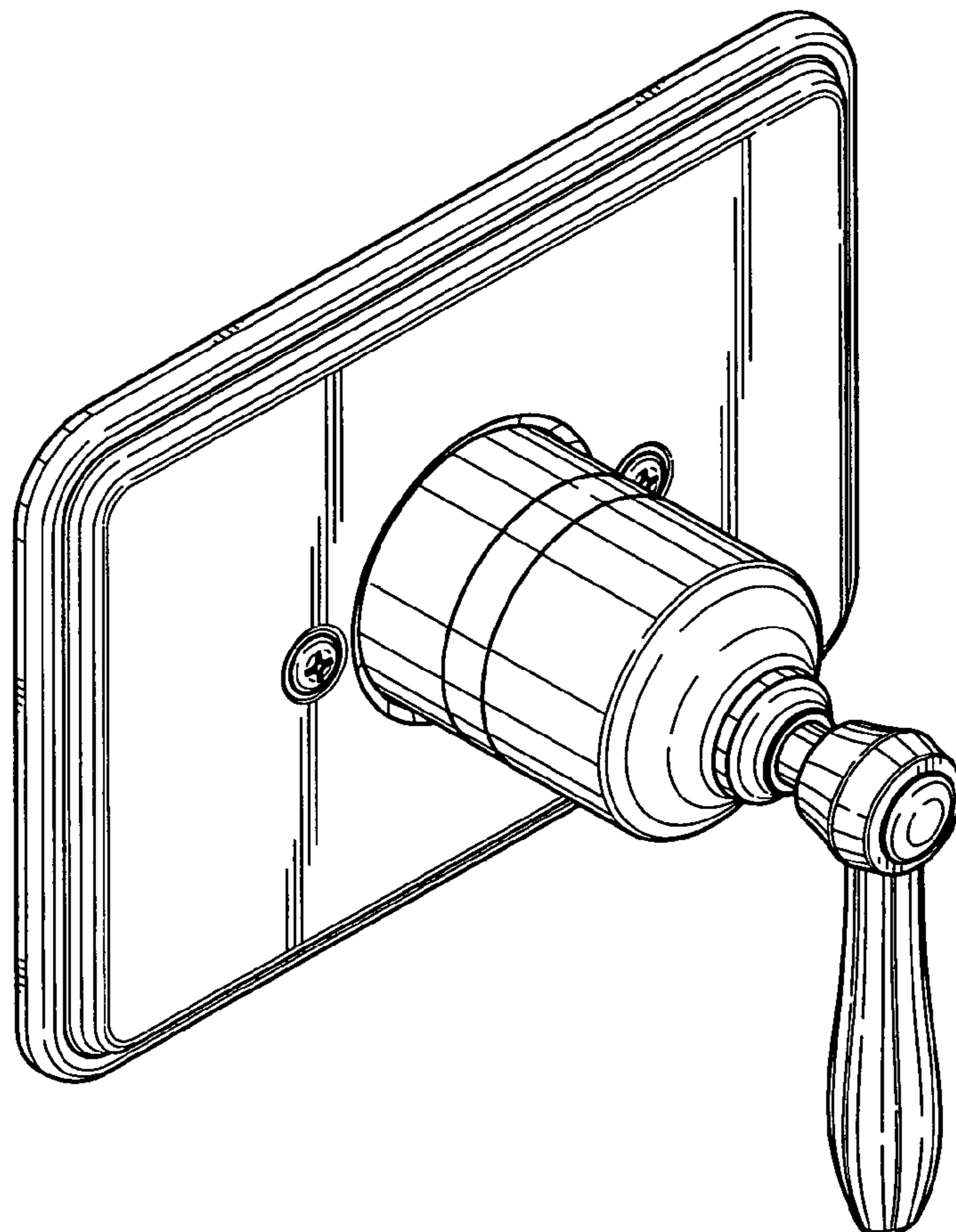


FIG. 1

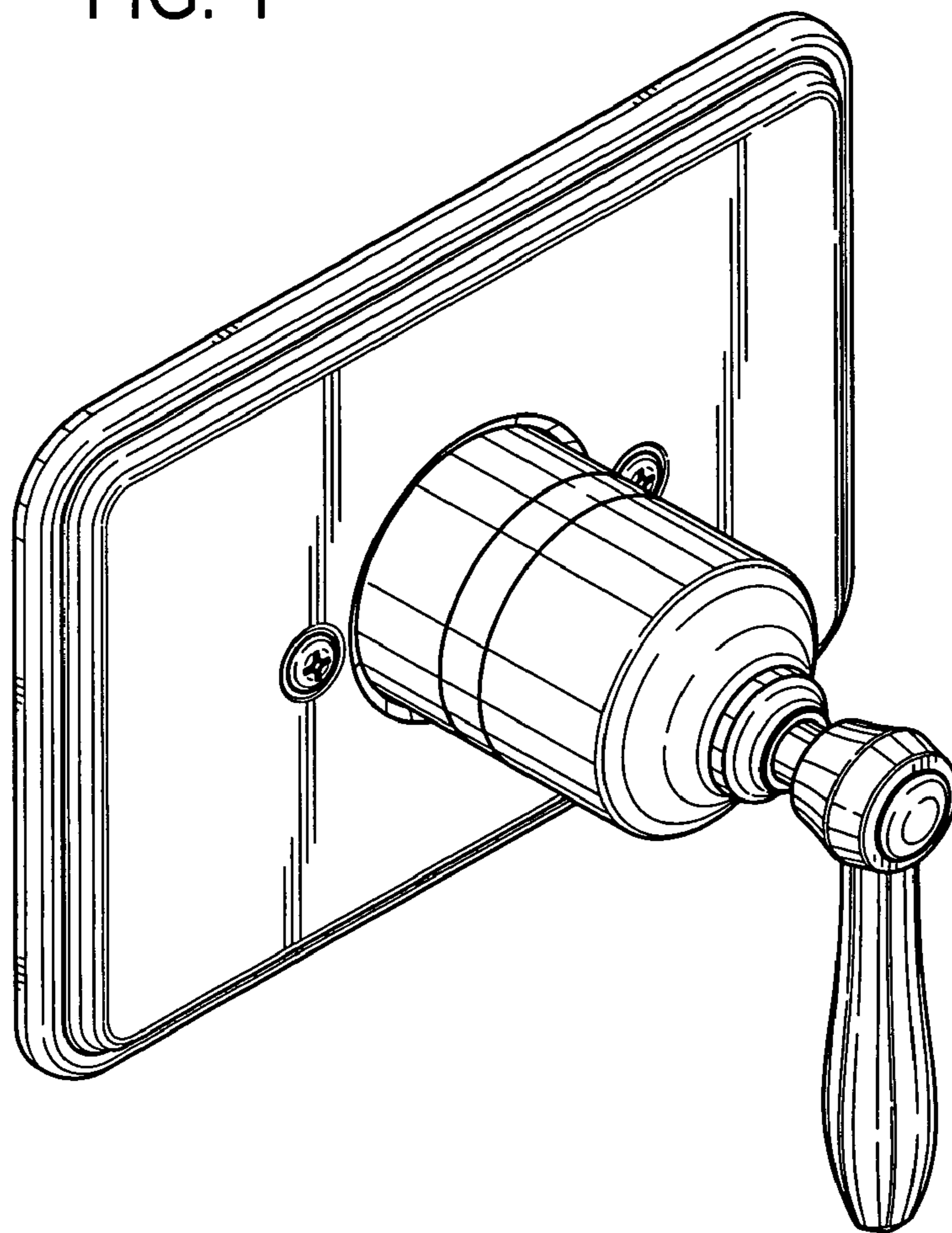


FIG. 2

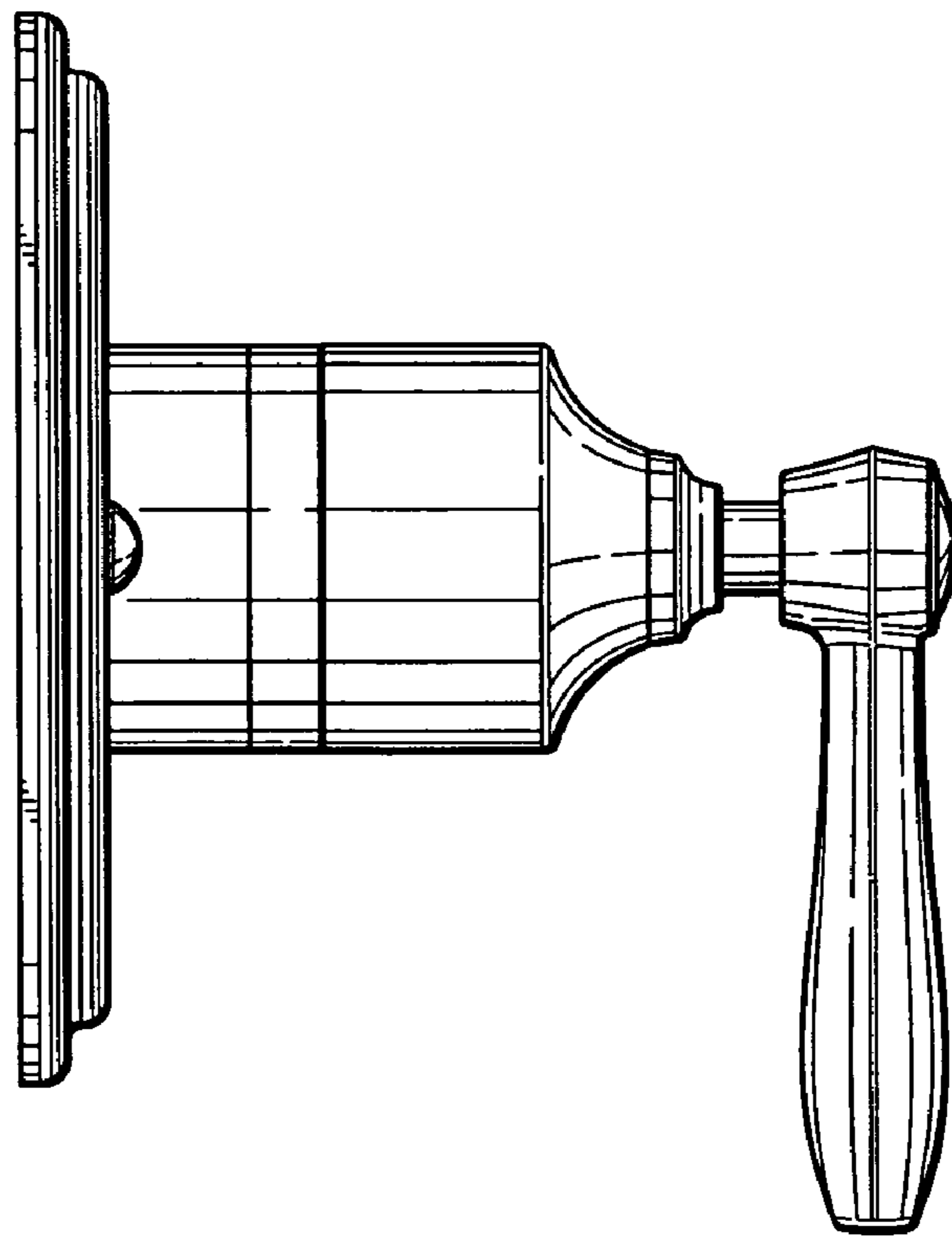


FIG. 3

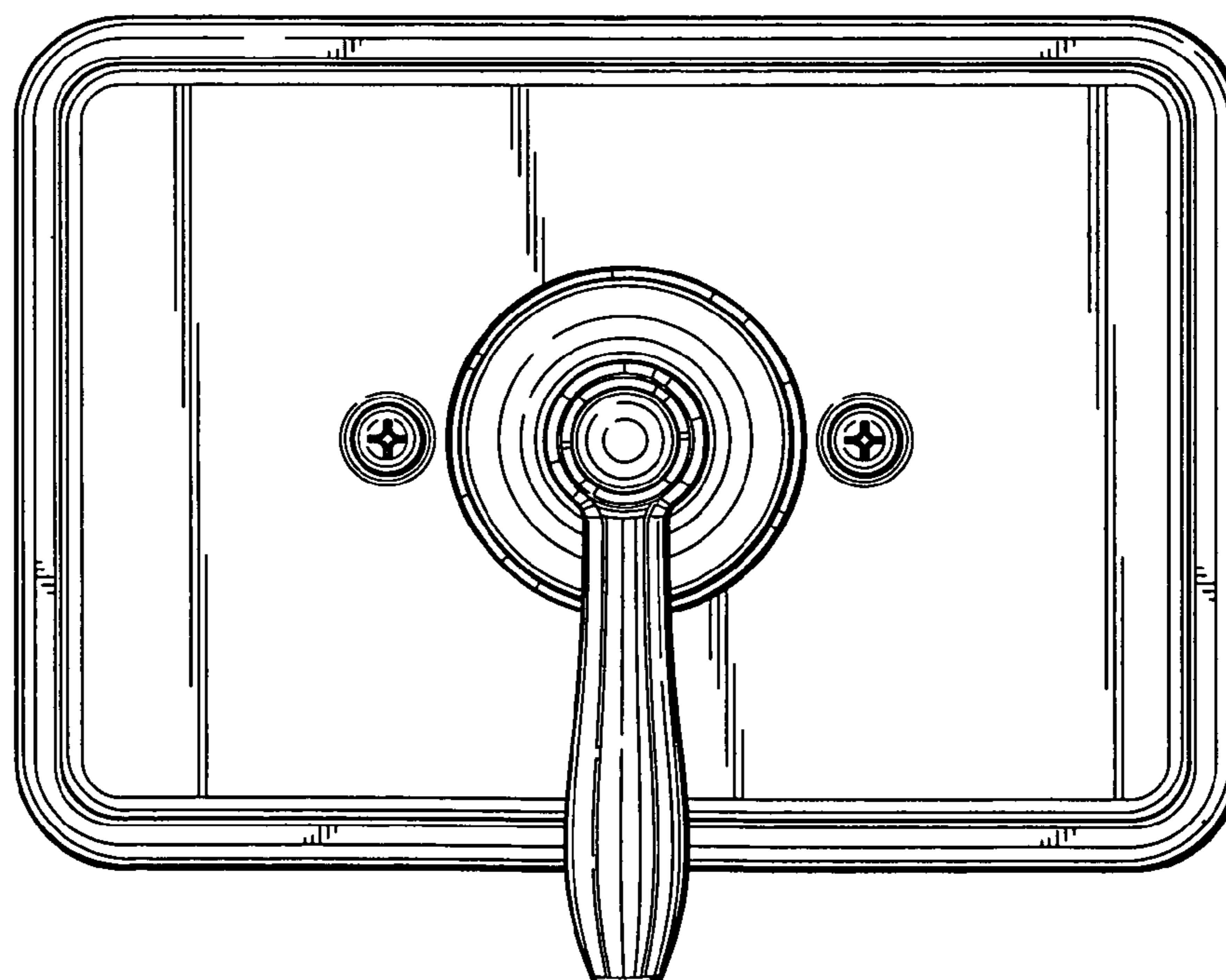
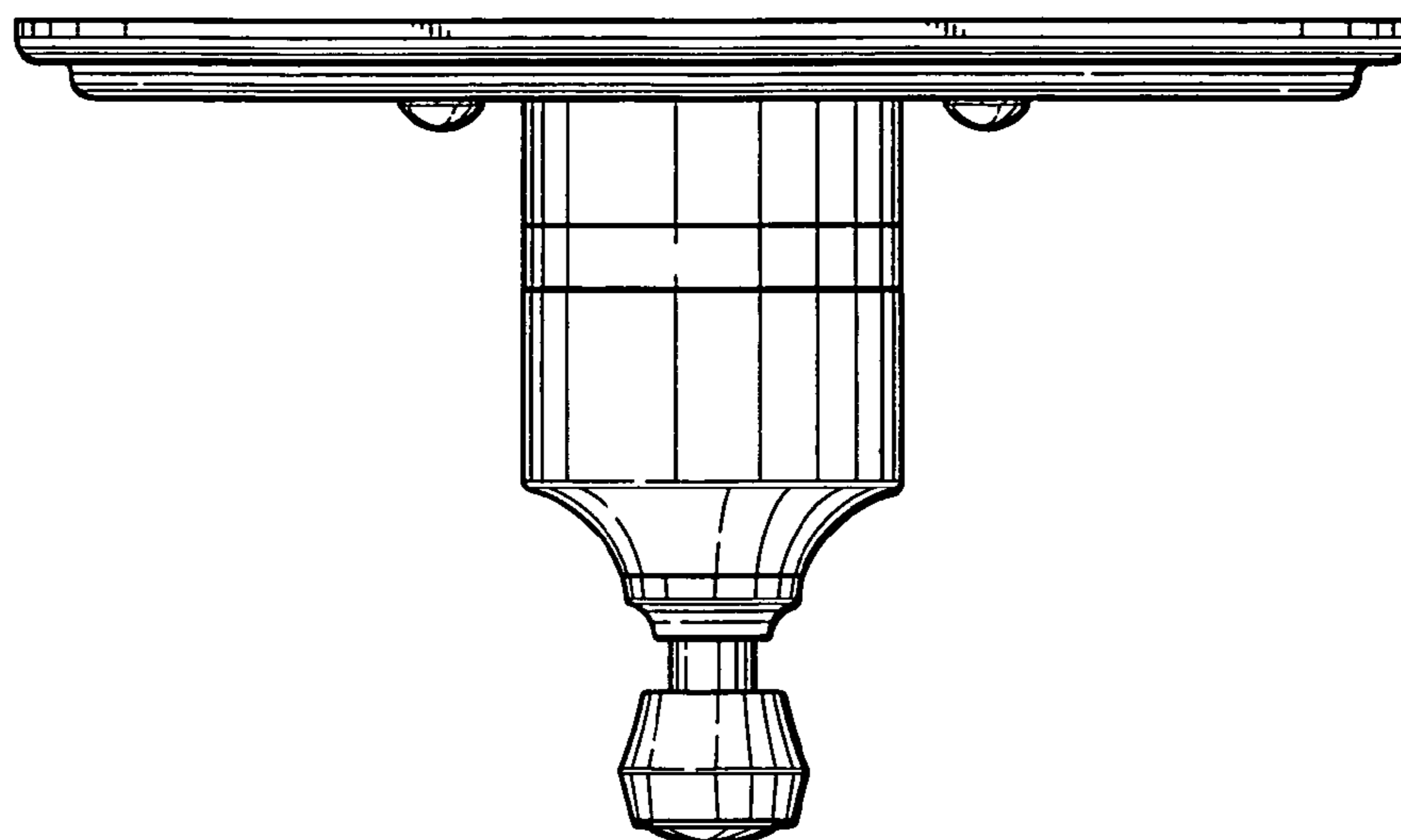


FIG. 4

FIG. 5

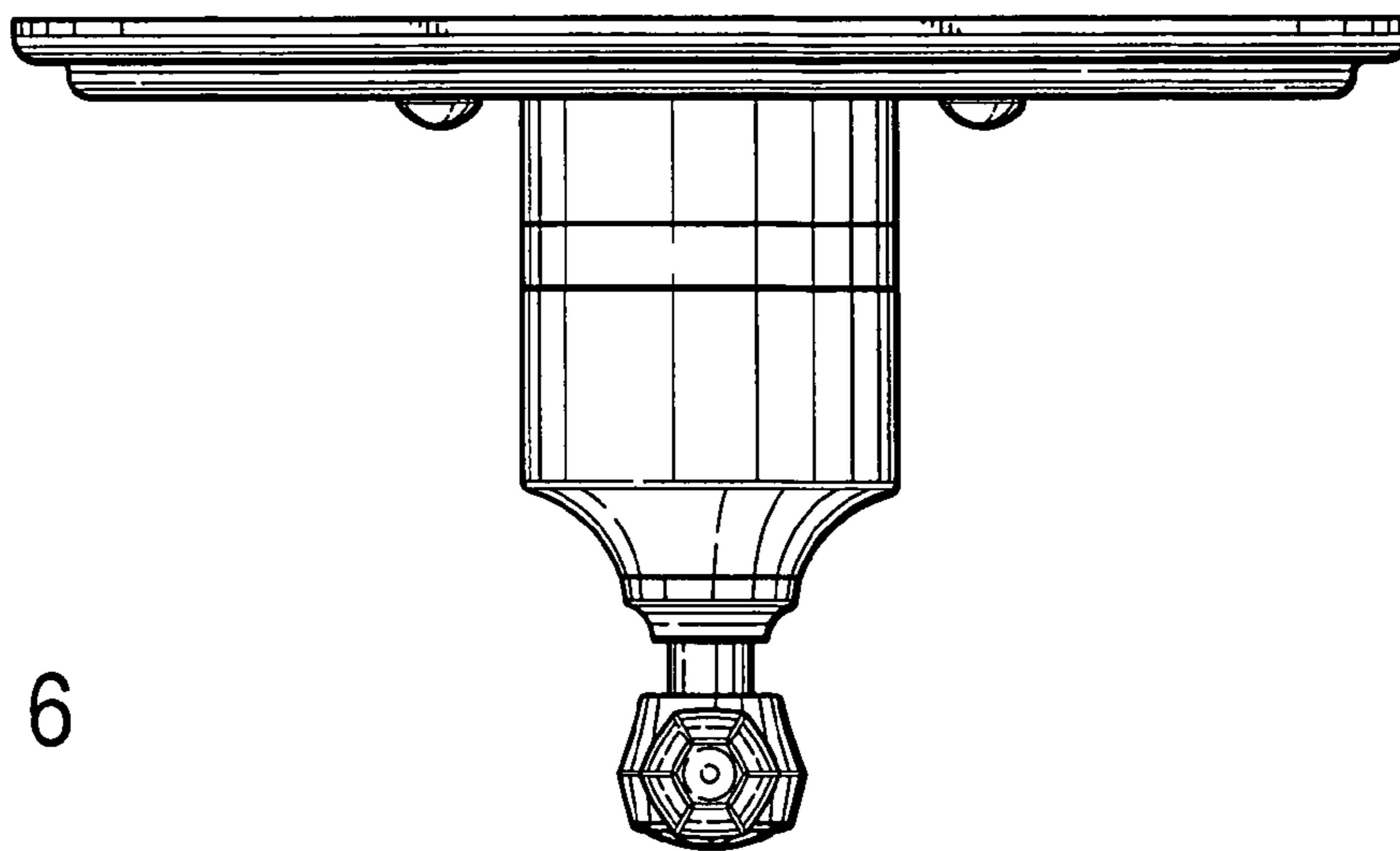
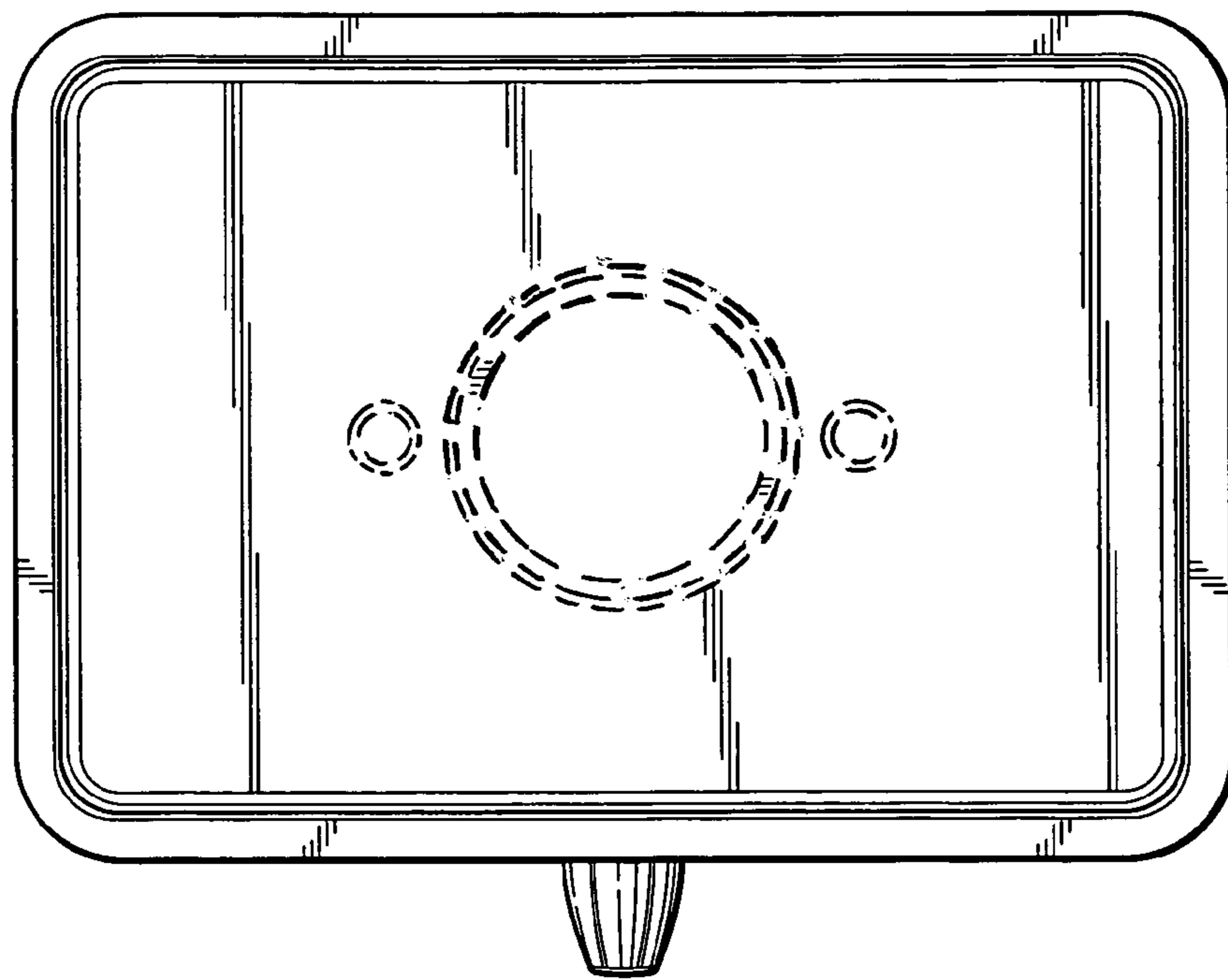


FIG. 6