



US00D574464S

(12) **United States Design Patent**  
**Rigolio**

(10) **Patent No.:** **US D574,464 S**

(45) **Date of Patent:** **\*\* Aug. 5, 2008**

(54) **APPLICATOR GUN**

(75) Inventor: **Riccardo Rigolio**, Varese (IT)

(73) Assignee: **Rigo S.R.L.**, Varese (IT)

(\*\*) Term: **14 Years**

(21) Appl. No.: **29/270,055**

(22) Filed: **Dec. 13, 2006**

(30) **Foreign Application Priority Data**

Jul. 27, 2006 (EM) ..... 000566740-0001  
Jul. 27, 2006 (EM) ..... 000566740-0006

(51) **LOC (8) Cl.** ..... **23-01**

(52) **U.S. Cl.** ..... **D23/226**

(58) **Field of Classification Search** ..... D23/213,  
D23/223, 226; D32/32; D8/14.1, 30; 239/332,  
239/375; 366/131, 336; 118/300, 308  
See application file for complete search history.

(56) **References Cited**

**U.S. PATENT DOCUMENTS**

D202,216 S \* 9/1965 Liljemark ..... D23/226  
5,053,202 A \* 10/1991 Dwyer et al. .... 422/135

5,538,190 A \* 7/1996 Greene et al. .... 239/708  
5,683,544 A \* 11/1997 Kopp ..... 156/578  
5,749,968 A \* 5/1998 Melanson et al. .... 118/300  
D507,036 S \* 7/2005 Khaitov ..... D24/226

\* cited by examiner

*Primary Examiner*—Robin V Webster

(74) *Attorney, Agent, or Firm*—James V. Costigan; Hedman & Costigan, P.C.

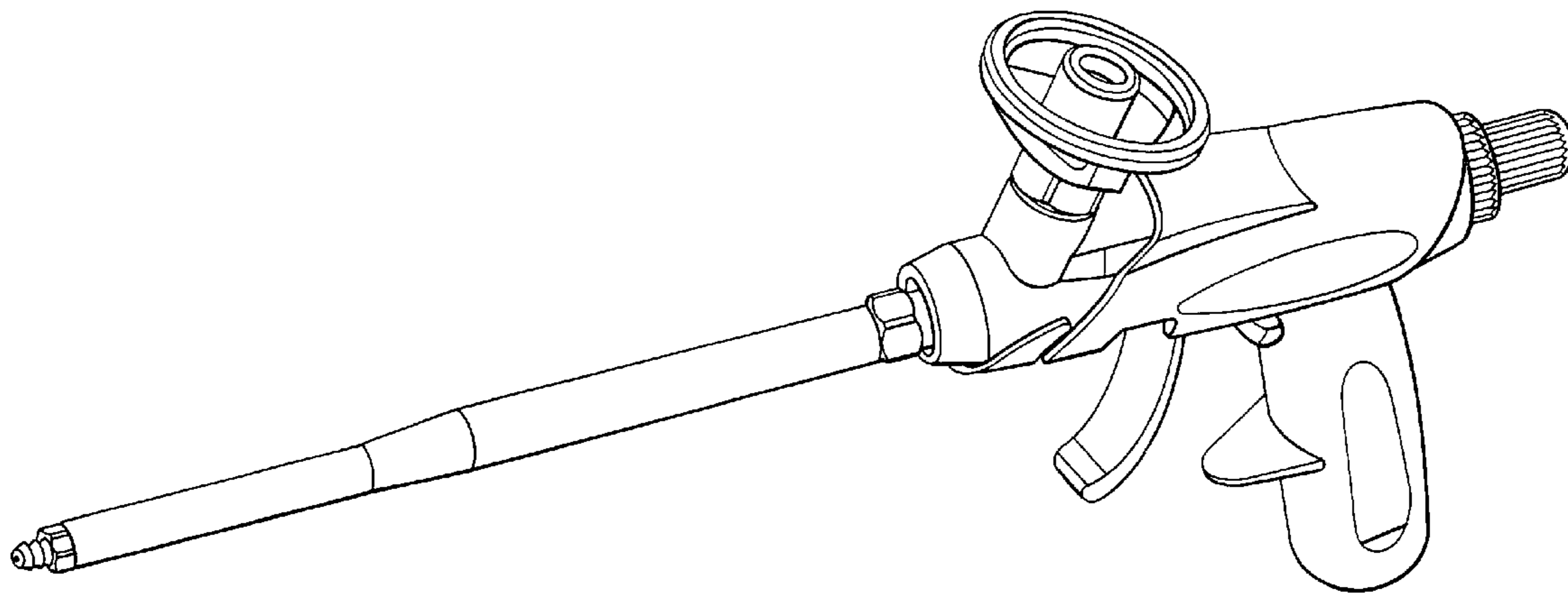
(57) **CLAIM**

The ornamental design for an applicator gun, as shown and described.

**DESCRIPTION**

FIG. 1 is a front perspective view of the invention;  
FIG. 2 is a left side view of the invention;  
FIG. 3 is a right side view of the invention;  
FIG. 4 is a front view of the invention;  
FIG. 5 is a back view of the invention;  
FIG. 6 is a top view of the invention; and,  
FIG. 7 is a bottom view of the invention.

**1 Claim, 7 Drawing Sheets**



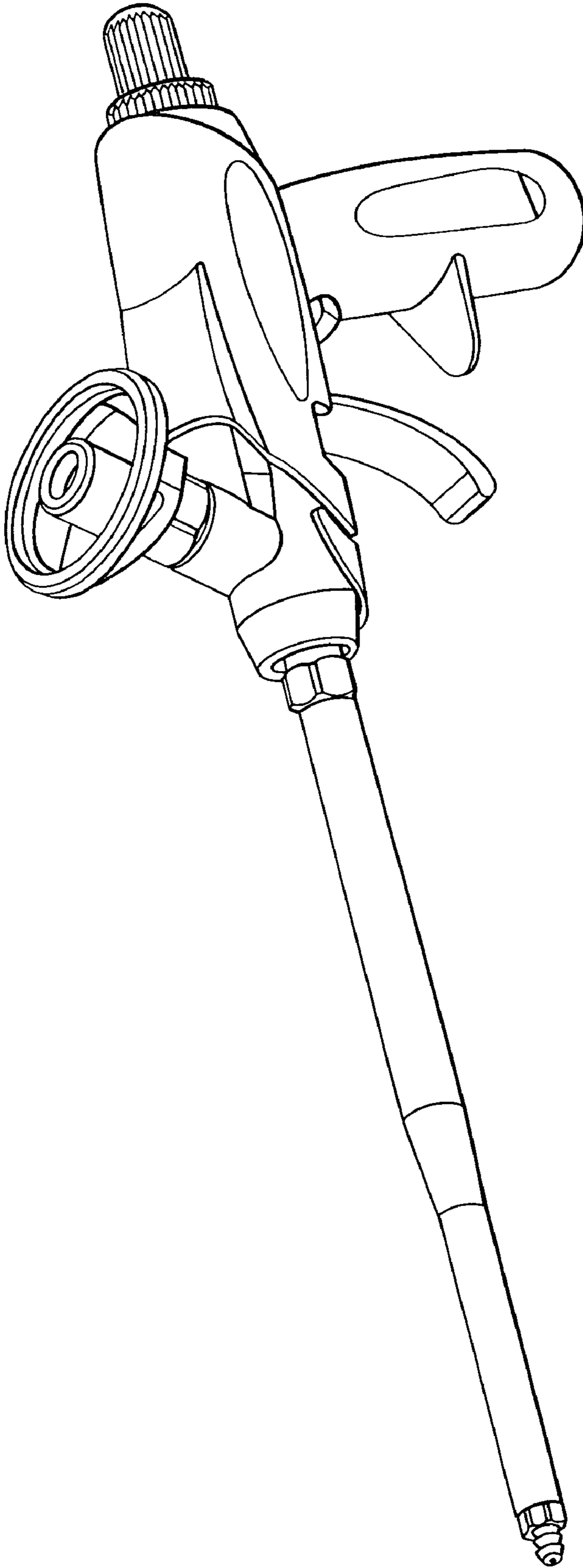


FIG 1

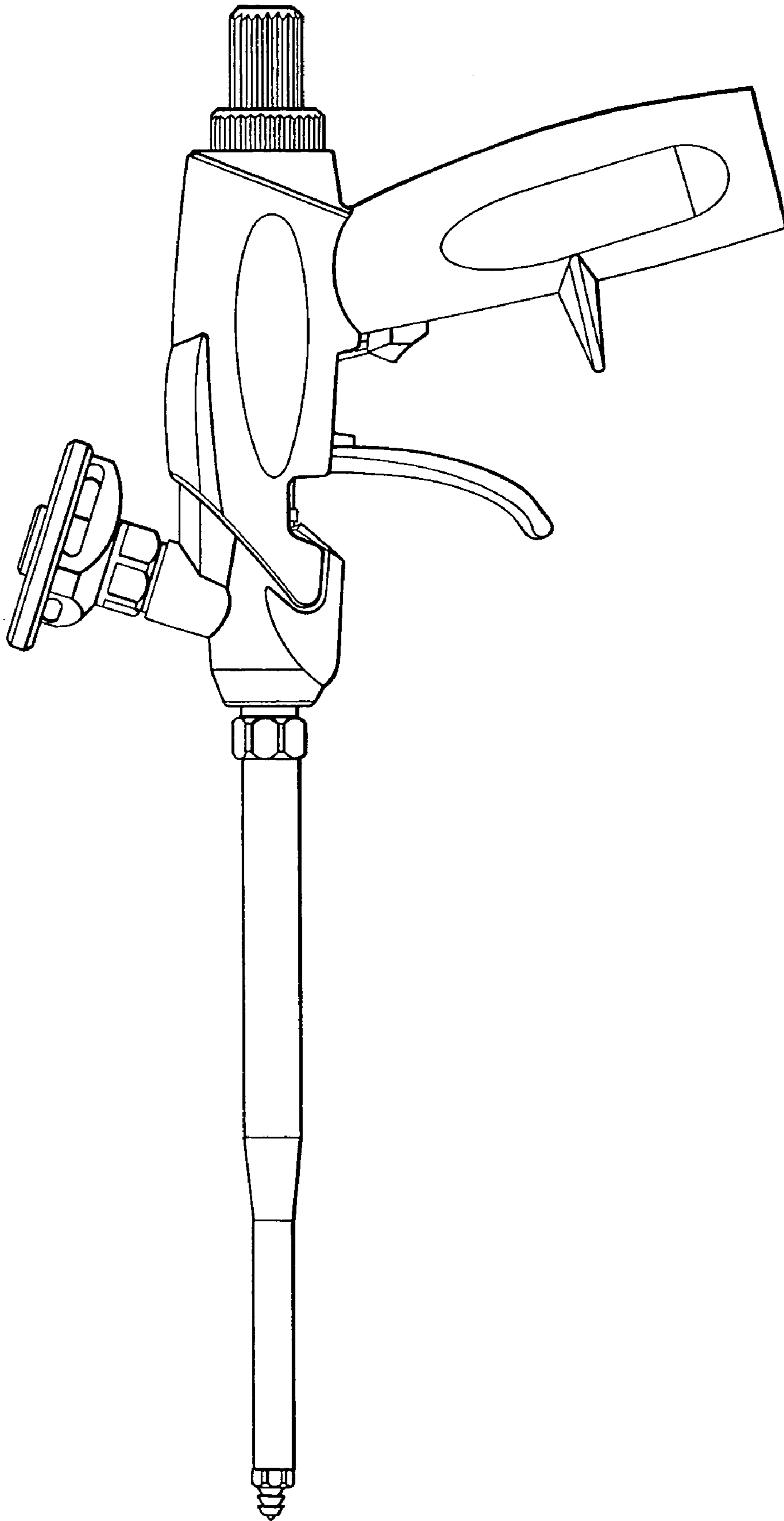


FIG 2

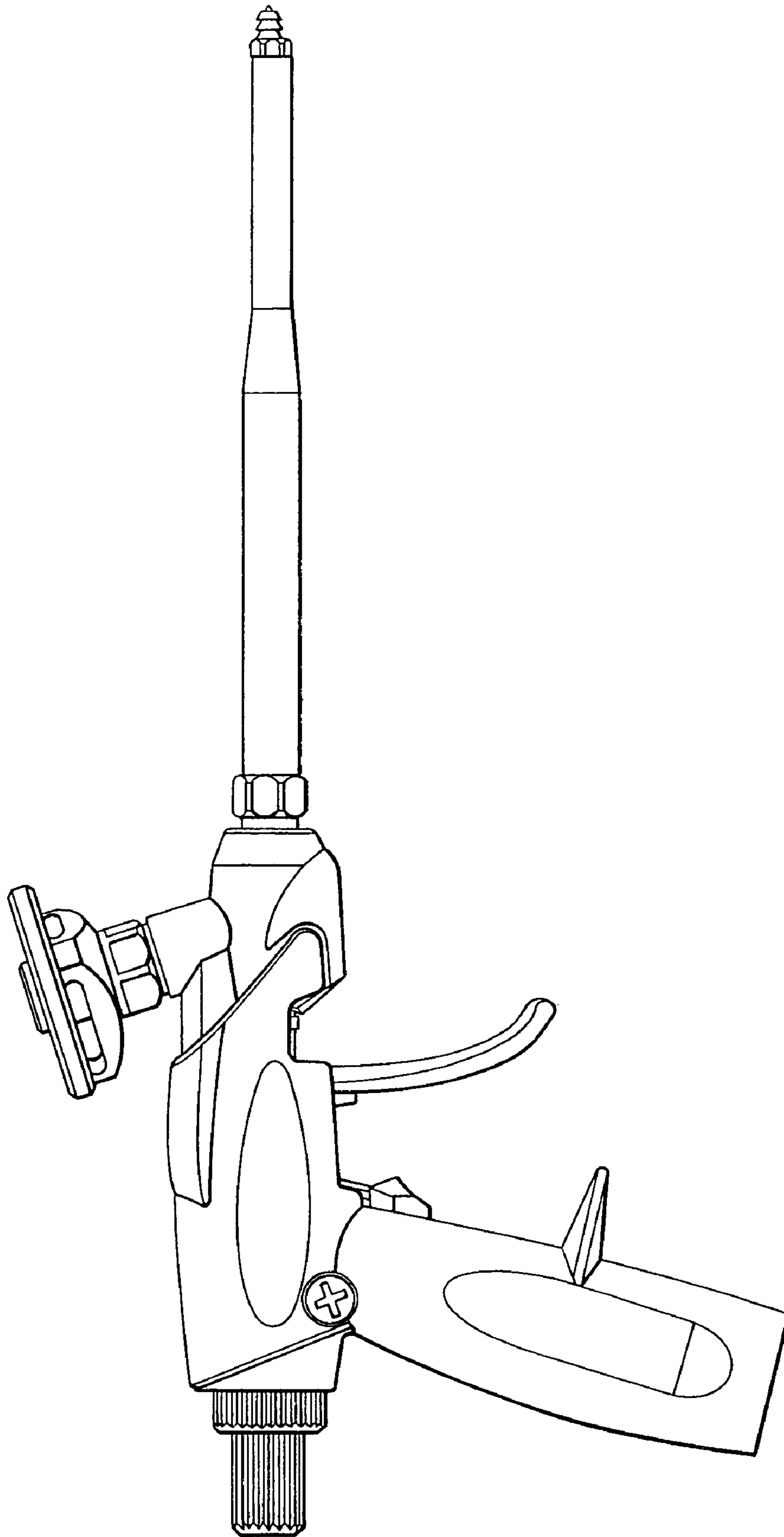


FIG 3

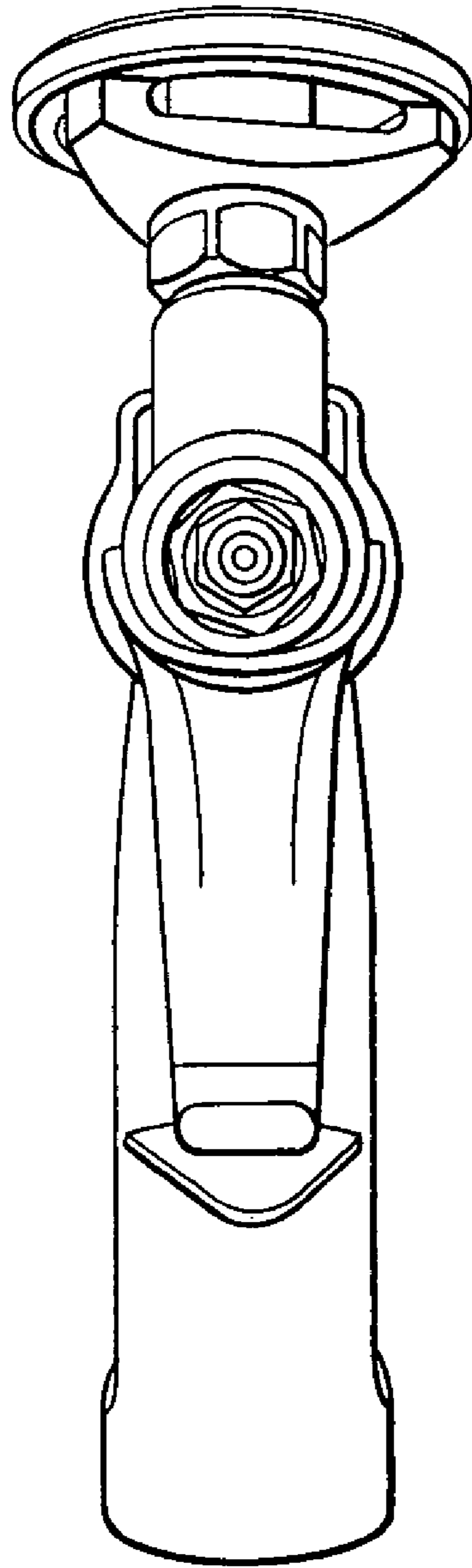


FIG 4

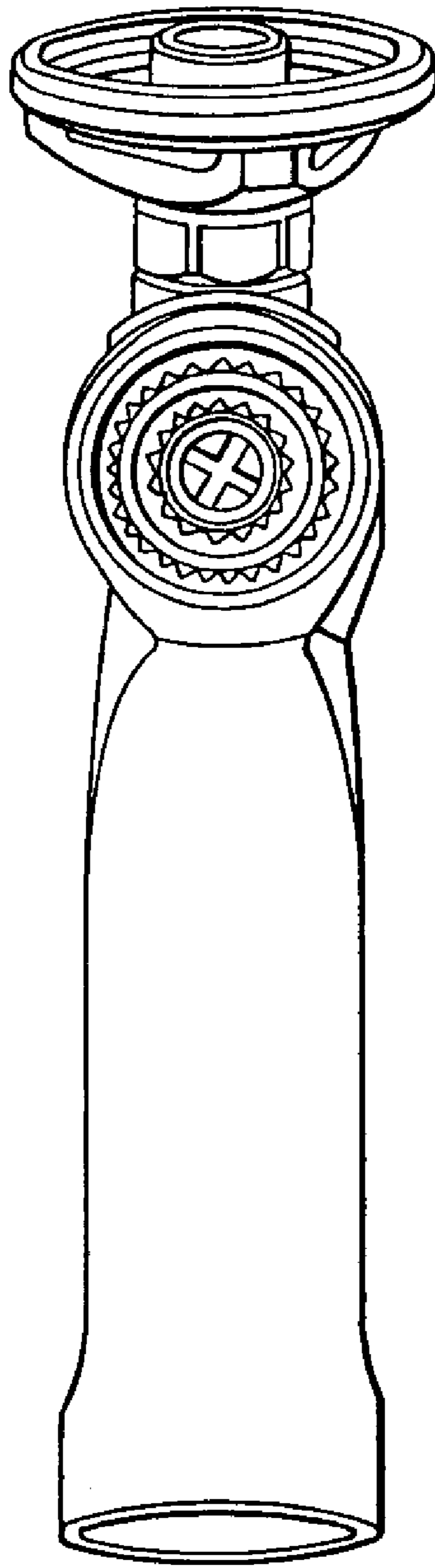


FIG 5

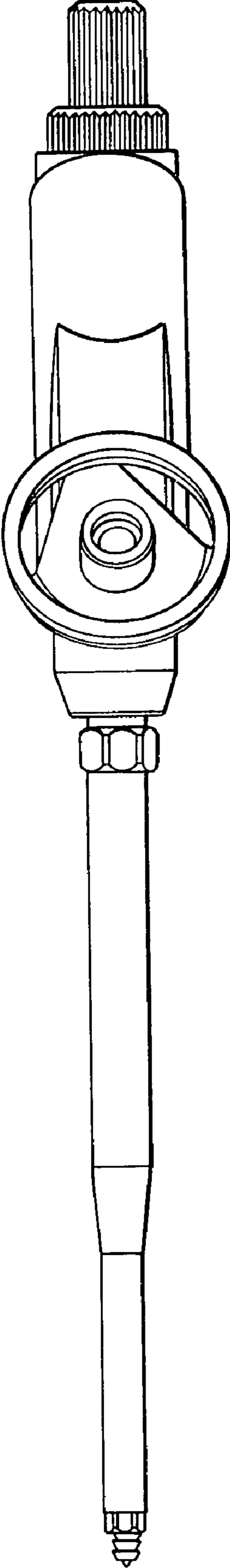


FIG 6

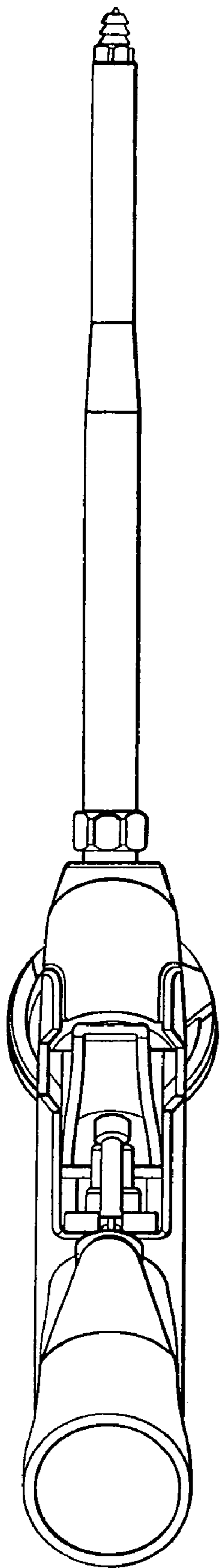


FIG 7