



US00D574461S

(12) **United States Design Patent**
Nago

(10) **Patent No.:** **US D574,461 S**
(45) **Date of Patent:** **** Aug. 5, 2008**

(54) **FISHING REEL PORTION**

(75) Inventor: **Akira Nago**, Osaka (JP)

(73) Assignee: **Shimano Inc.**, Osaka (JP)

(**) Term: **14 Years**

(21) Appl. No.: **29/295,457**

(22) Filed: **Sep. 28, 2007**

(30) **Foreign Application Priority Data**

Apr. 2, 2007 (JP) 2007-008627

(51) **LOC (8) Cl.** **22-05**

(52) **U.S. Cl.** **D22/141**

(58) **Field of Classification Search** D22/141,
D22/140, 137–139; 242/381, 370, 283, 234–240,
242/311, 322, 223, 316; 43/19–22
See application file for complete search history.

(56) **References Cited**

U.S. PATENT DOCUMENTS

D467,299 S *	12/2002	Kondo et al.	D22/141
D516,160 S	2/2006	Iwabuchi		
D516,664 S	3/2006	Iwabuchi		
D528,626 S *	9/2006	Iwabuchi et al.	D22/141
D539,378 S *	3/2007	Kondo et al.	D22/141
D561,871 S *	2/2008	Iwabuchi	D22/141

* cited by examiner

Primary Examiner—Catherine R Oliver

(74) *Attorney, Agent, or Firm*—Global IP Counselors, LLP

(57) **CLAIM**

The ornamental design for a fishing reel portion, as shown and described.

DESCRIPTION

FIG. 1 is a first side elevational view of a fishing reel portion in accordance with my new design;

FIG. 2 is a second side elevational view of the fishing reel portion in accordance with my new design;

FIG. 3 is a top plan view of the fishing reel portion in accordance with my new design;

FIG. 4 is a bottom plan view of the fishing reel portion in accordance with my new design;

FIG. 5 is a rear elevational view of the fishing reel portion in accordance with my new design;

FIG. 6 is a front elevational view of the fishing reel portion in accordance with my new design;

FIG. 7 is a top perspective view of the fishing reel portion in accordance with my new design;

FIG. 8 is a bottom perspective view of the fishing reel portion in accordance with my new design;

FIG. 9 is a partial cross-sectional view along 9—9 and 9—9 of the fishing reel portion in FIG. 1 in accordance with my new design;

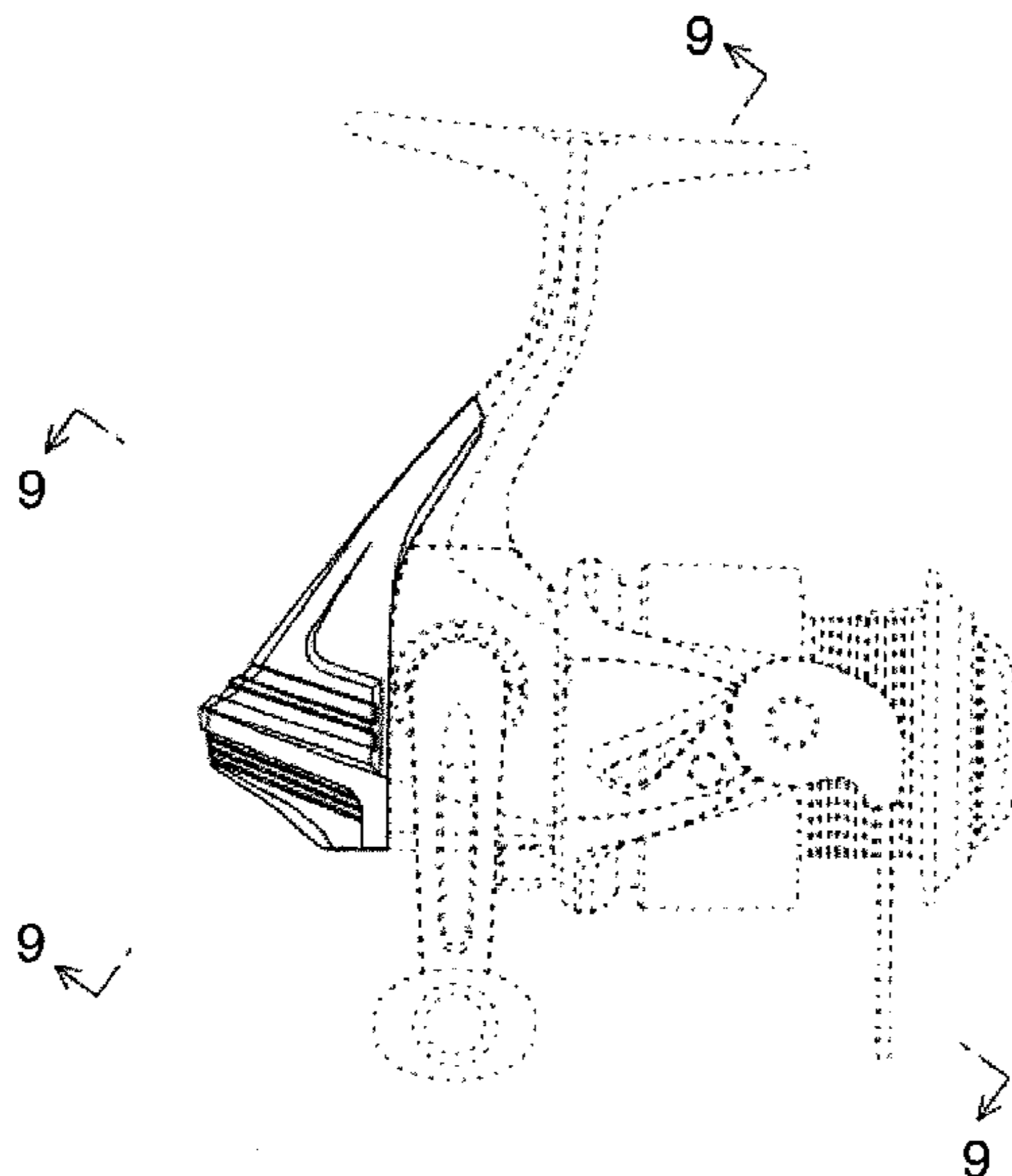
FIG. 10 is a partial cross-sectional view along line 10—10 of the fishing reel portion in FIG. 5 in accordance with my new design;

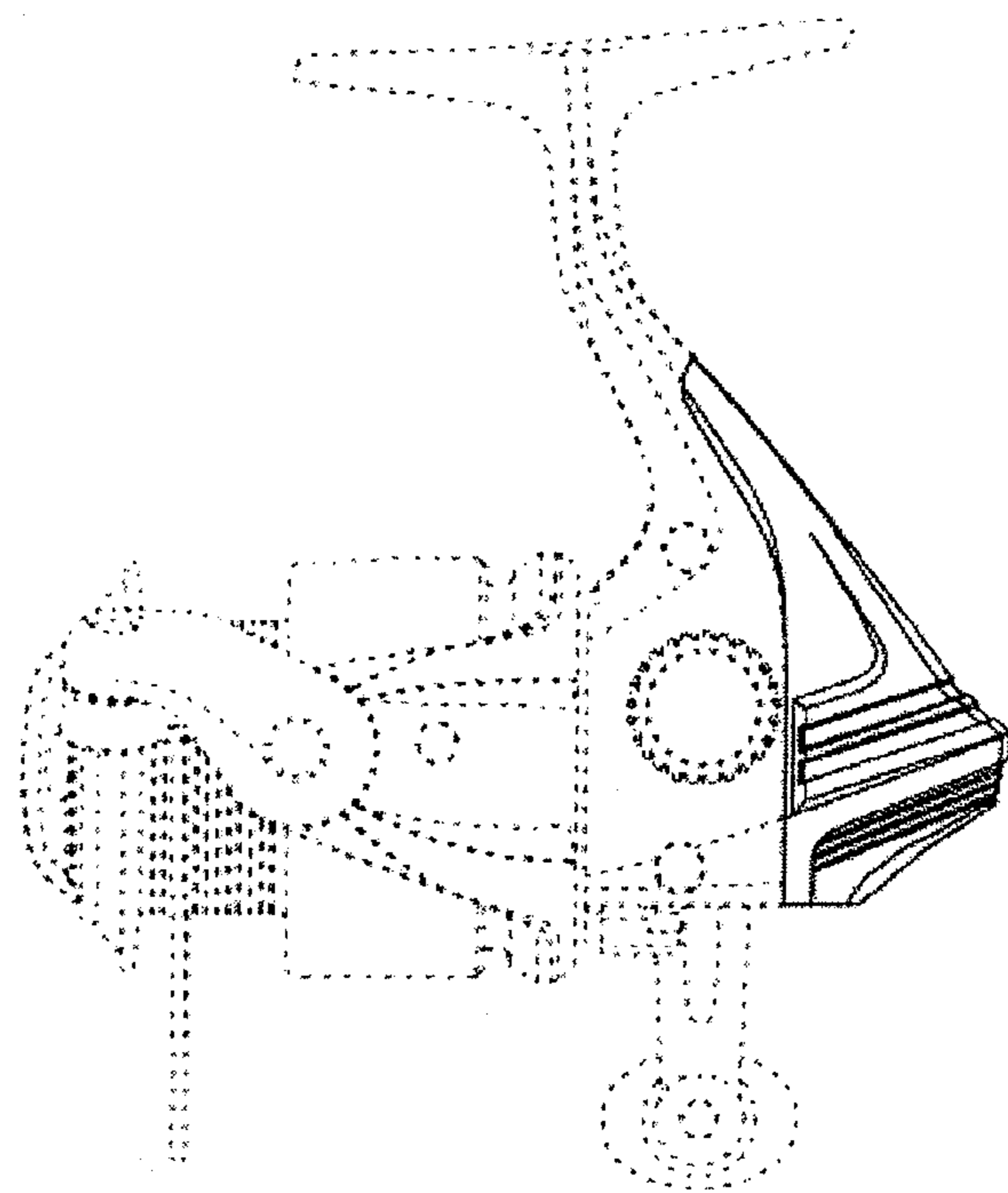
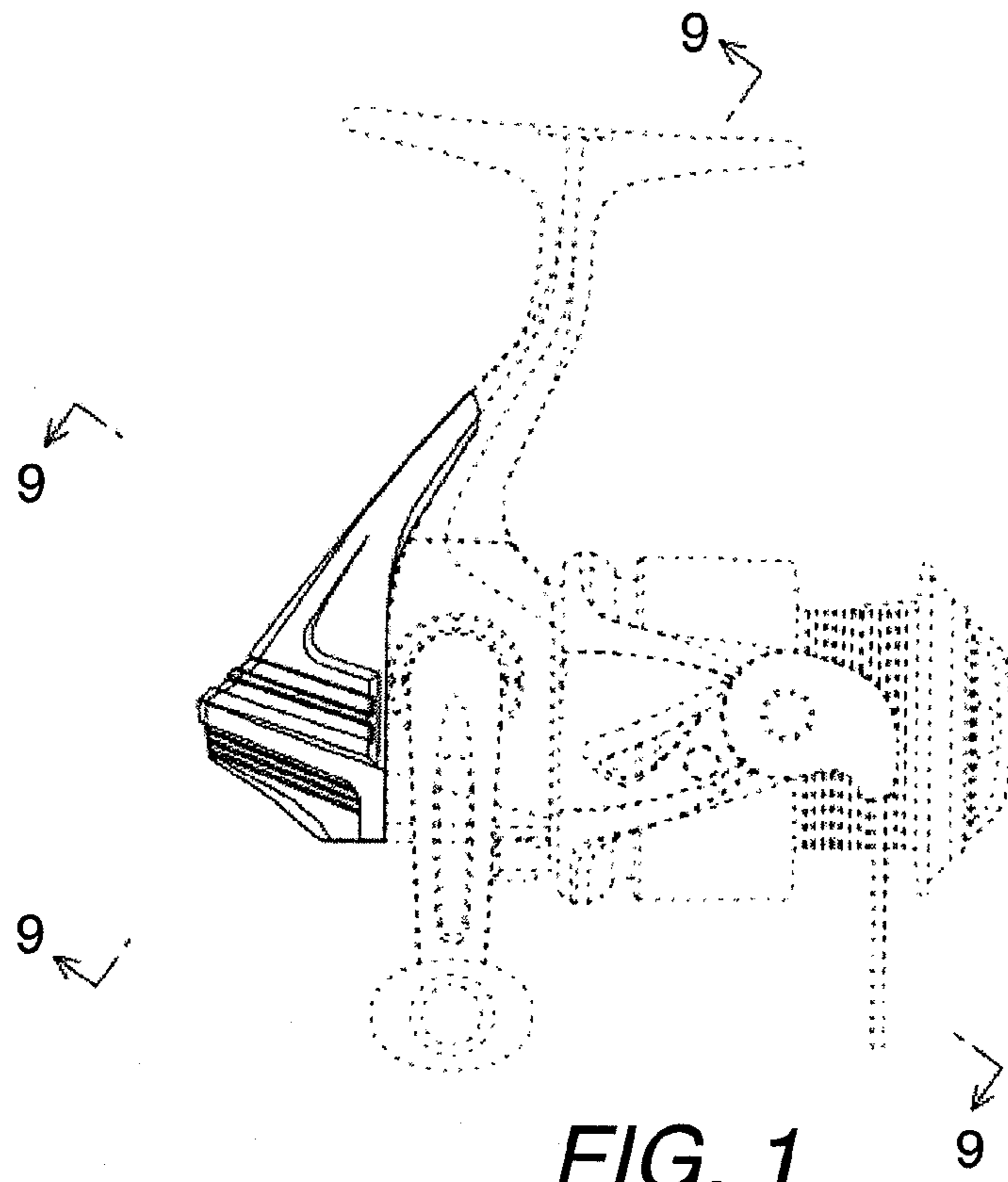
FIG. 11 is an enlarged top side perspective view of the fishing reel portion of FIG. 7 in accordance with my new design; and,

FIG. 12 is an enlarged bottom side perspective view of the fishing reel portion of FIG. 8 in accordance with my new design.

The broken line showing of environment (the remaining structure of the fishing reel portion) in the Figures is for illustrative purposes only and forms no part of the claimed design. The cross-sections of FIGS. 9 and 10 are provided to better understand the claimed design, but do not form a part of the claimed design.

1 Claim, 6 Drawing Sheets





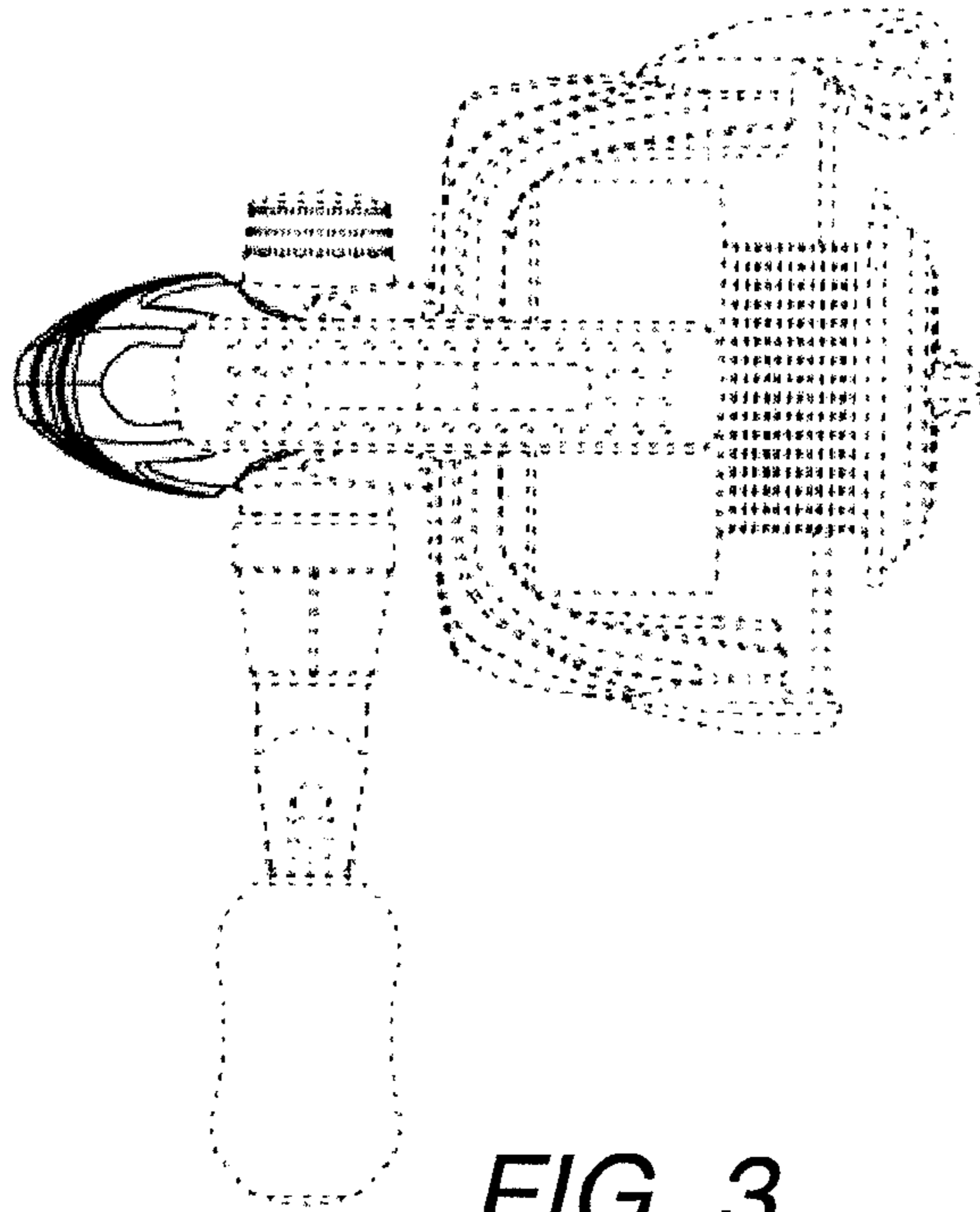


FIG. 3

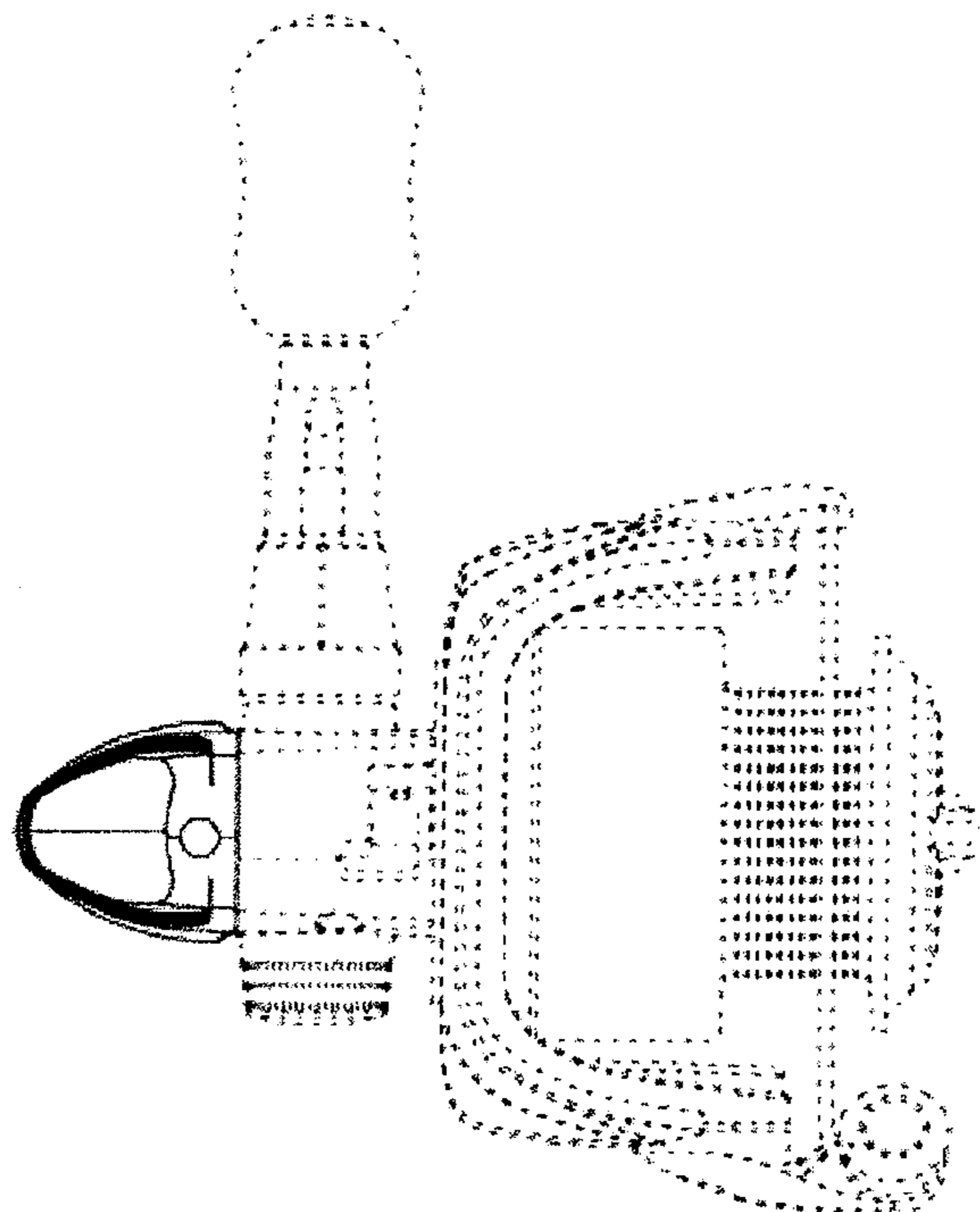


FIG. 4

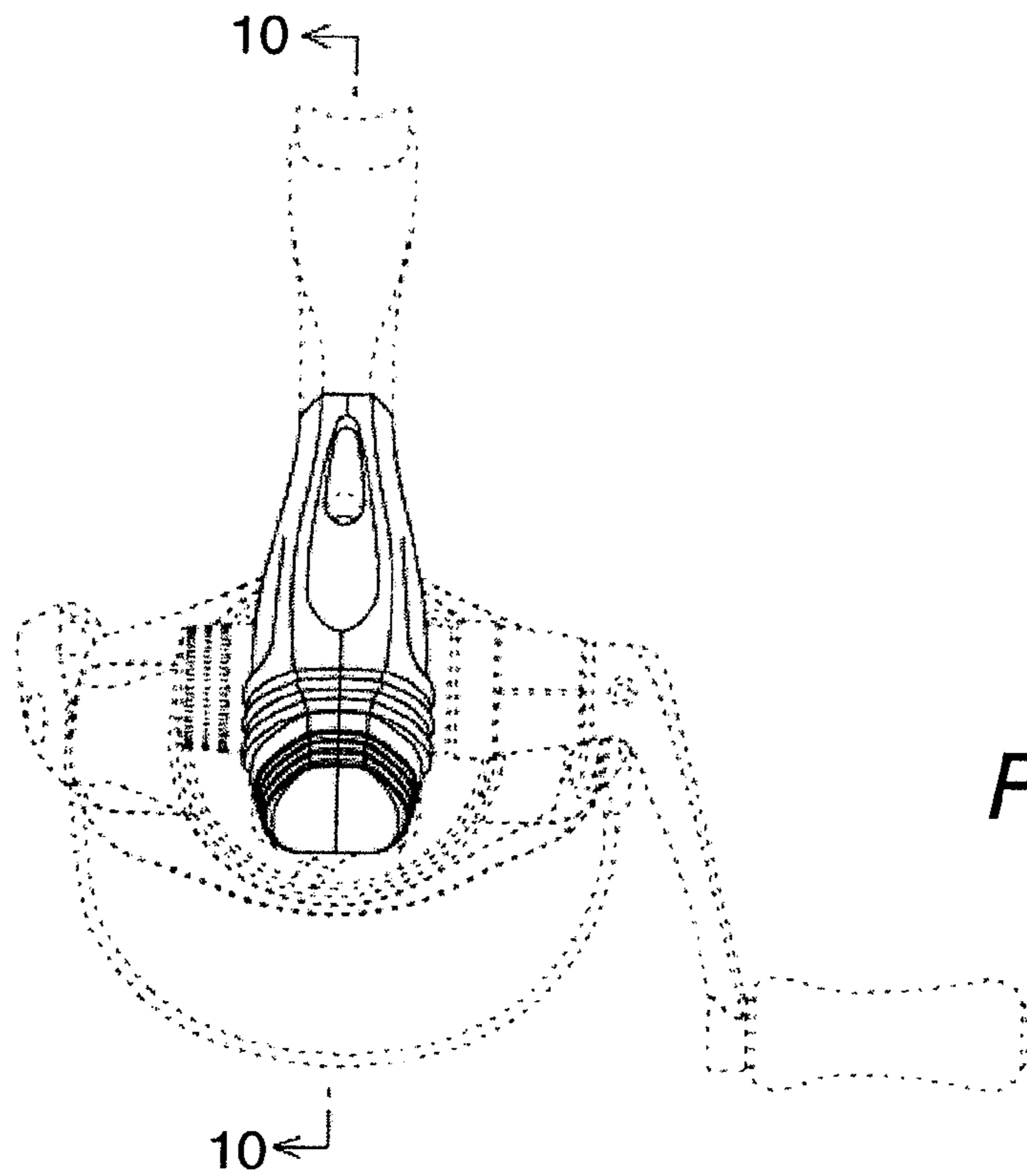
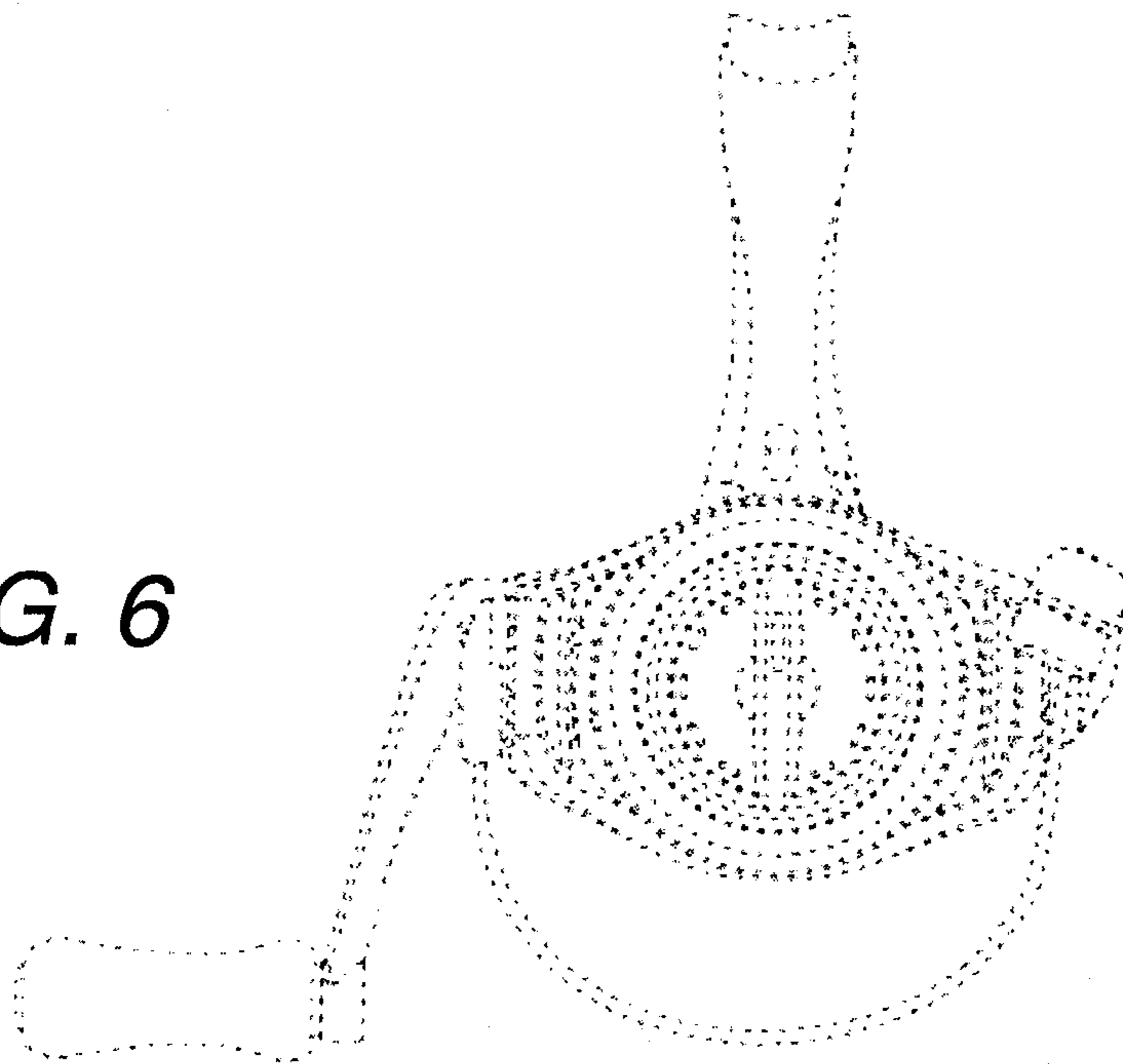


FIG. 5

FIG. 6



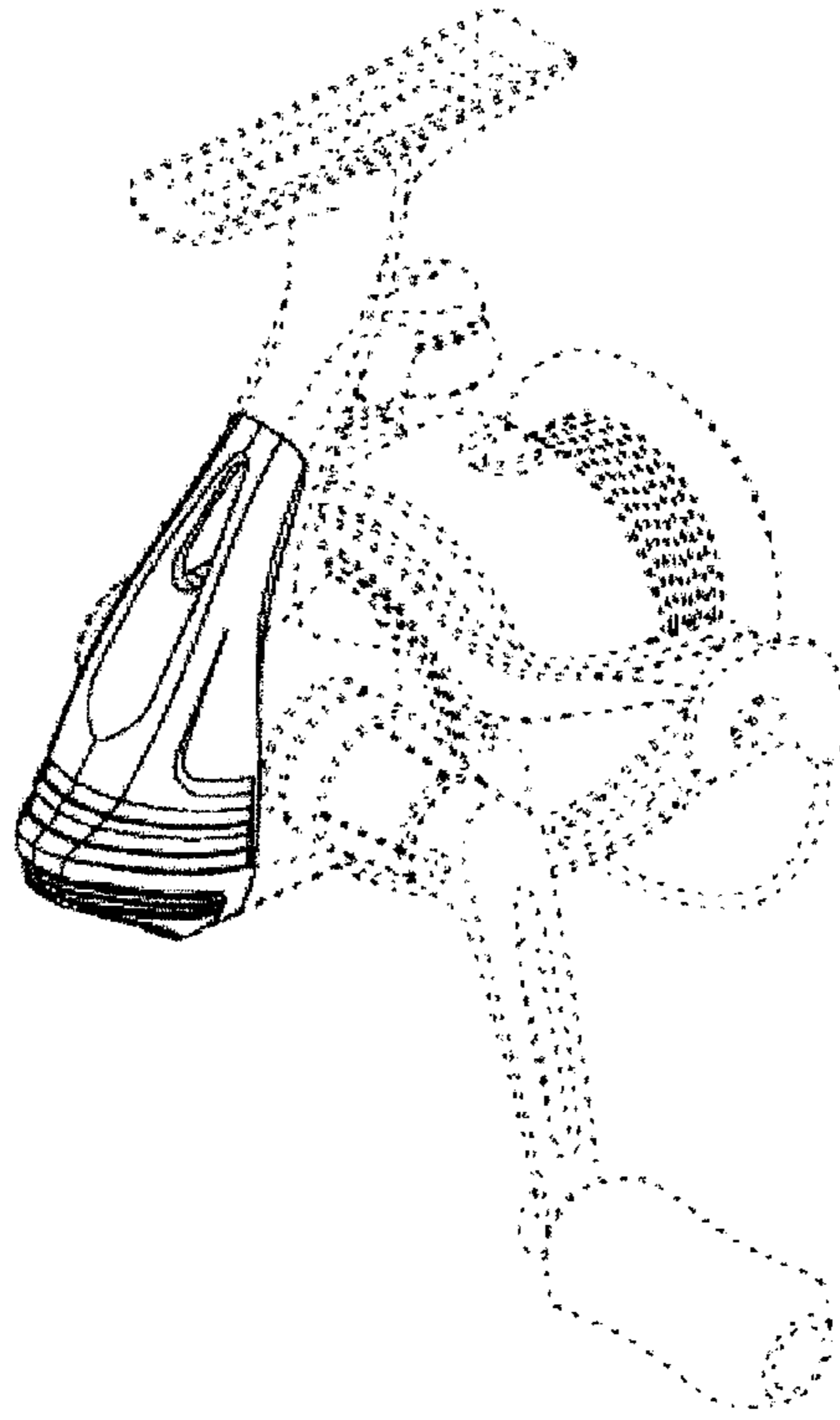


FIG. 7

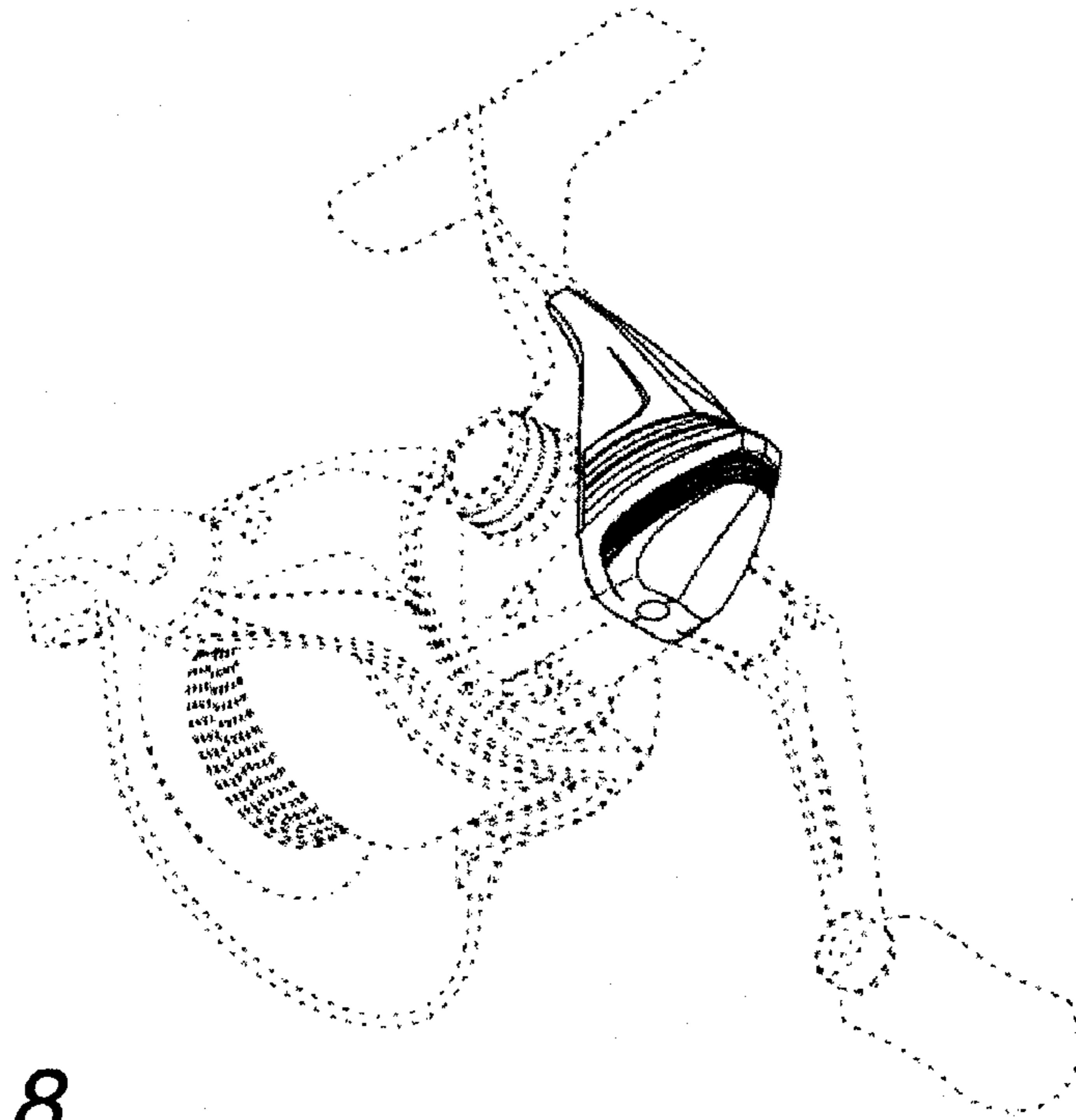


FIG. 8

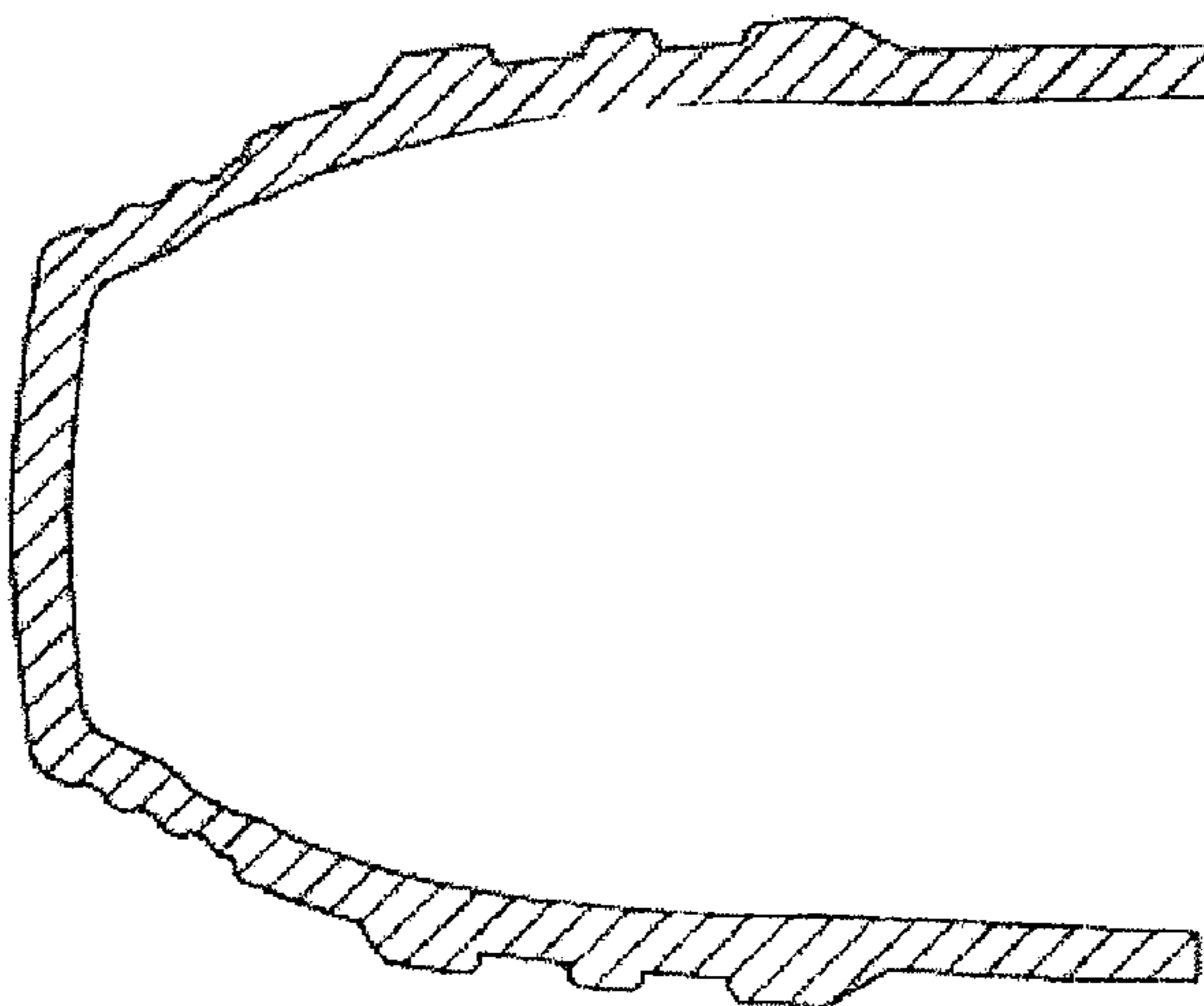


FIG. 9

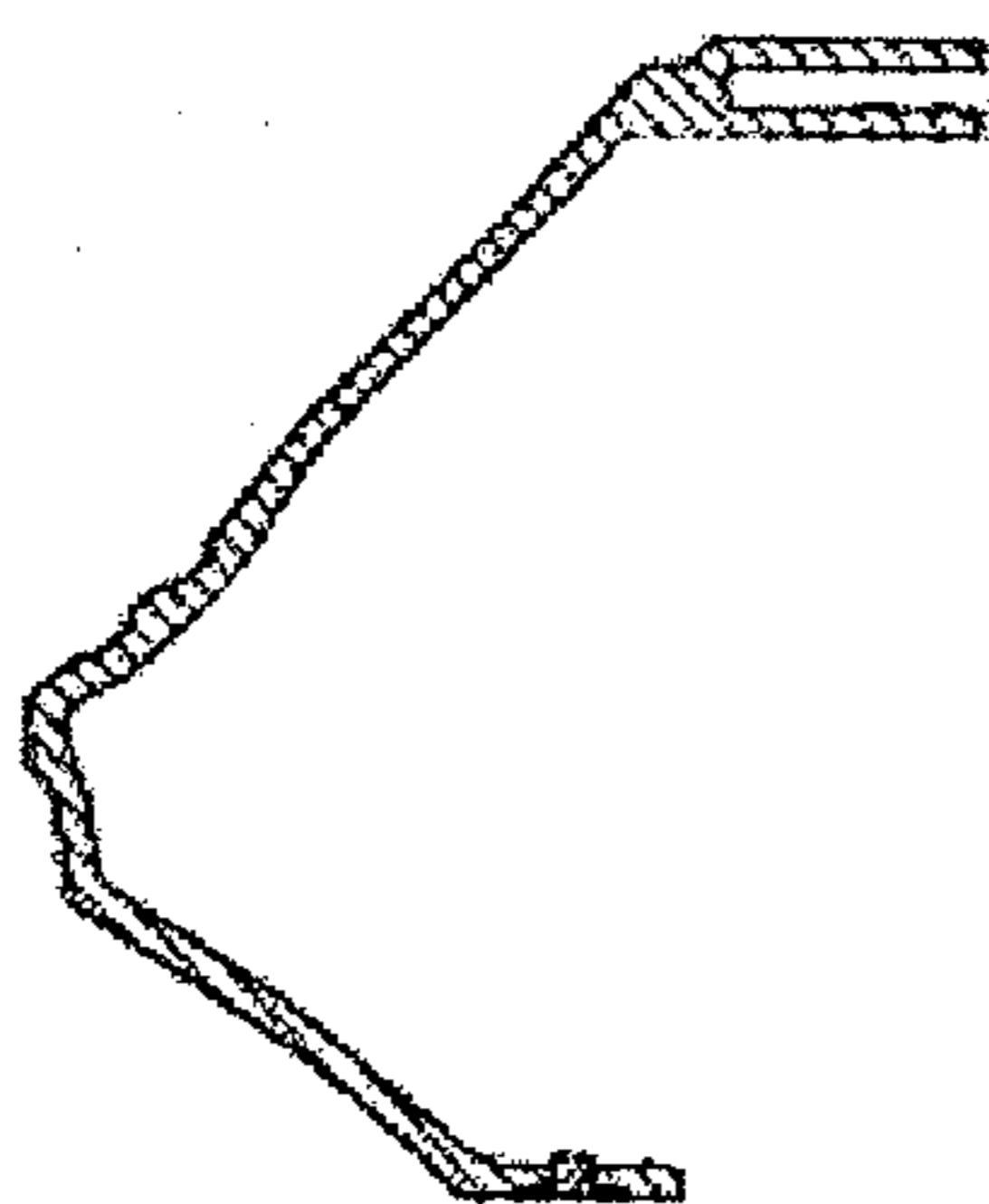


FIG. 10

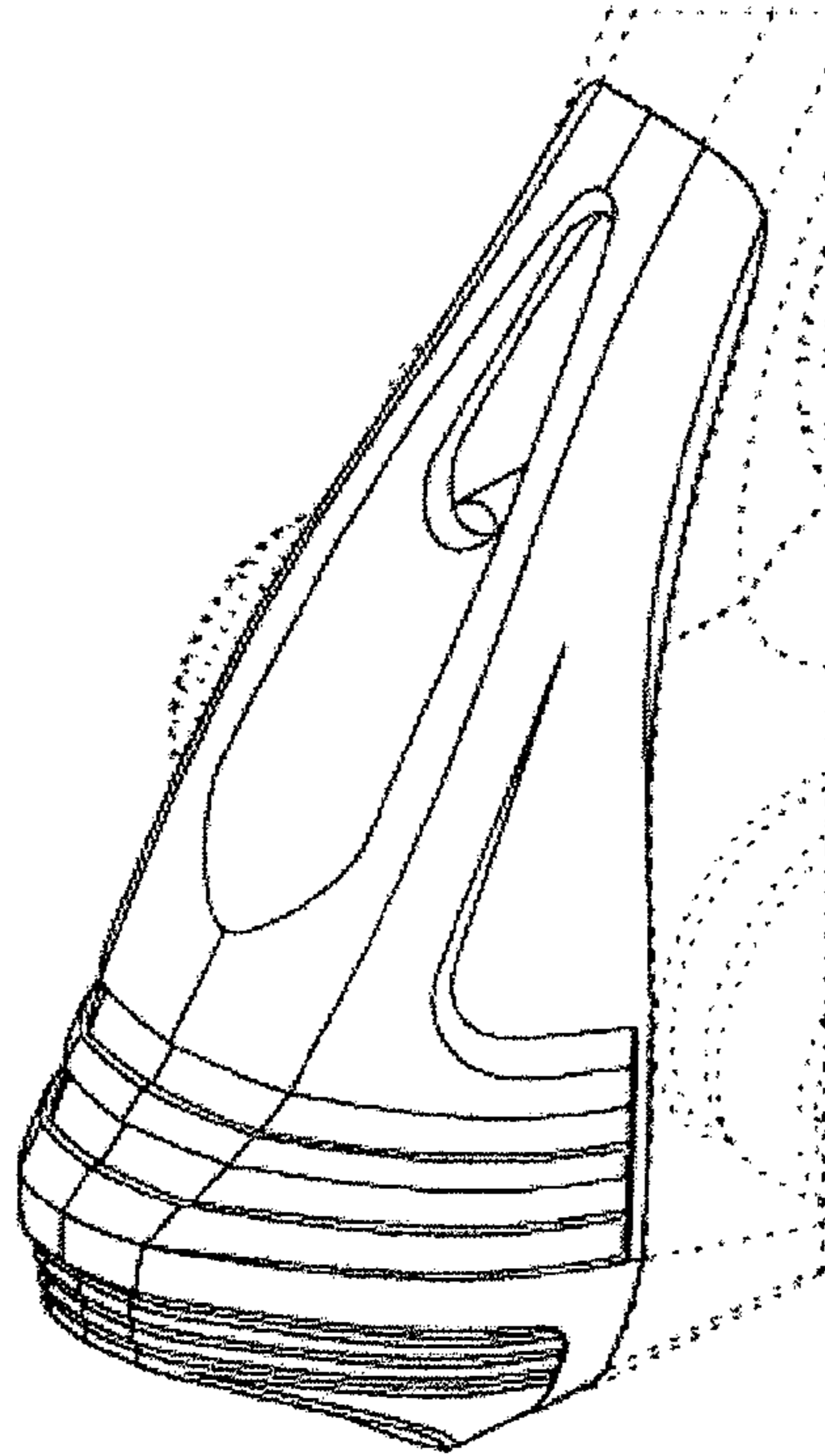


FIG. 11

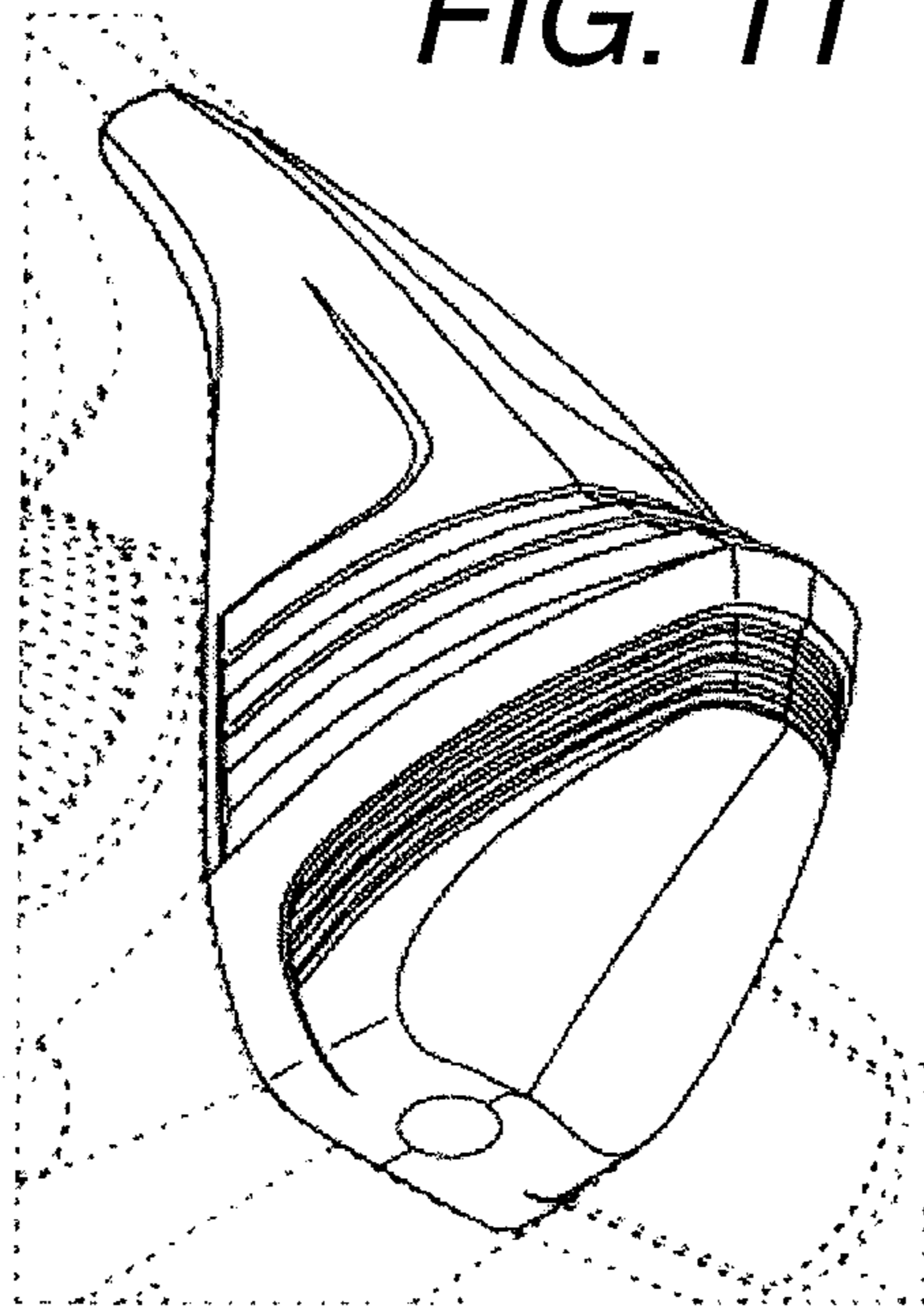


FIG. 12