



US00D574460S

(12) **United States Design Patent**  
**VanElverdinghe**

(10) **Patent No.:** **US D574,460 S**

(45) **Date of Patent:** **\*\* Aug. 5, 2008**

(54) **INFLATABLE FLOATING ISLAND**

(76) **Inventor:** **Jeffrey L. VanElverdinghe**, 4537 SW.  
164<sup>th</sup> Pl., Beaverton, OR (US) 97007

(\*\*) **Term:** **14 Years**

(21) **Appl. No.:** **29/284,135**

(22) **Filed:** **Aug. 31, 2007**

(51) **LOC (8) Cl.** ..... **21-02**

(52) **U.S. Cl.** ..... **D21/803; D21/801**

(58) **Field of Classification Search** ..... D2/769–770,  
D2/801, 803, 809; D6/392, 596, 601, 604;  
D12/5, 6, 316; 472/128–129; 114/253, 345,  
114/346; 441/35, 40–42, 66, 129–132

See application file for complete search history.

(56) **References Cited**

**U.S. PATENT DOCUMENTS**

3,268,925	A *	8/1966	Serra	441/40
D274,141	S	6/1984	Carrillo	
4,723,329	A *	2/1988	Vaccaro	5/710
D299,941	S *	2/1989	Chang	D12/306
D305,449	S	1/1990	Rundquist, Jr.	
D308,403	S *	6/1990	LaForce, Jr.	D21/809
D315,186	S	3/1991	Peterson	
5,070,807	A *	12/1991	Lewis	114/361
D349,145	S *	7/1994	Haughey	D21/809
D359,869	S *	7/1995	Oren	D6/596
D406,870	S	3/1999	Bauman	
D409,971	S	5/1999	Elsholz	
D430,845	S	9/2000	Elsholz	
D435,619	S	12/2000	Peterson	
D435,621	S	12/2000	Peterson	
D446,568	S	8/2001	Peterson	
D451,567	S	12/2001	Gordon	
D451,568	S	12/2001	Gordon	
6,595,861	B1 *	7/2003	Morrow et al.	472/134
D484,940	S	1/2004	Peterson	
6,685,520	B1 *	2/2004	Wiggins	441/40

D504,487	S	4/2005	Peterson	
D504,488	S	4/2005	Peterson	
D515,167	S	2/2006	Capwell	
D530,772	S	10/2006	Peterson	
D538,875	S	3/2007	Rockstad et al.	
D538,876	S	3/2007	Peterson	
D538,877	S	3/2007	Peterson	
D549,296	S	8/2007	Peterson	
7,314,399	B2 *	1/2008	Turner	441/129
2003/0220032	A1 *	11/2003	Hsu et al.	441/131
2005/0176319	A1 *	8/2005	Zheng	441/129
2007/0141925	A1 *	6/2007	Turner	441/129

\* cited by examiner

*Primary Examiner*—Janice E. Seeger

*Assistant Examiner*—Zenia I Bennett

(74) *Attorney, Agent, or Firm*—Joseph P. Curtin, L.L.C.

(57) **CLAIM**

The ornamental design for an inflatable floating island, shown and described.

**DESCRIPTION**

FIG. 1 is an isometric view of an inflatable floating island according to the subject matter disclosed herein;

FIG. 2 is a front-side view of an inflatable floating island according to the subject matter disclosed herein;

FIG. 3 is a left-side view of an inflatable floating island according to the subject matter disclosed herein;

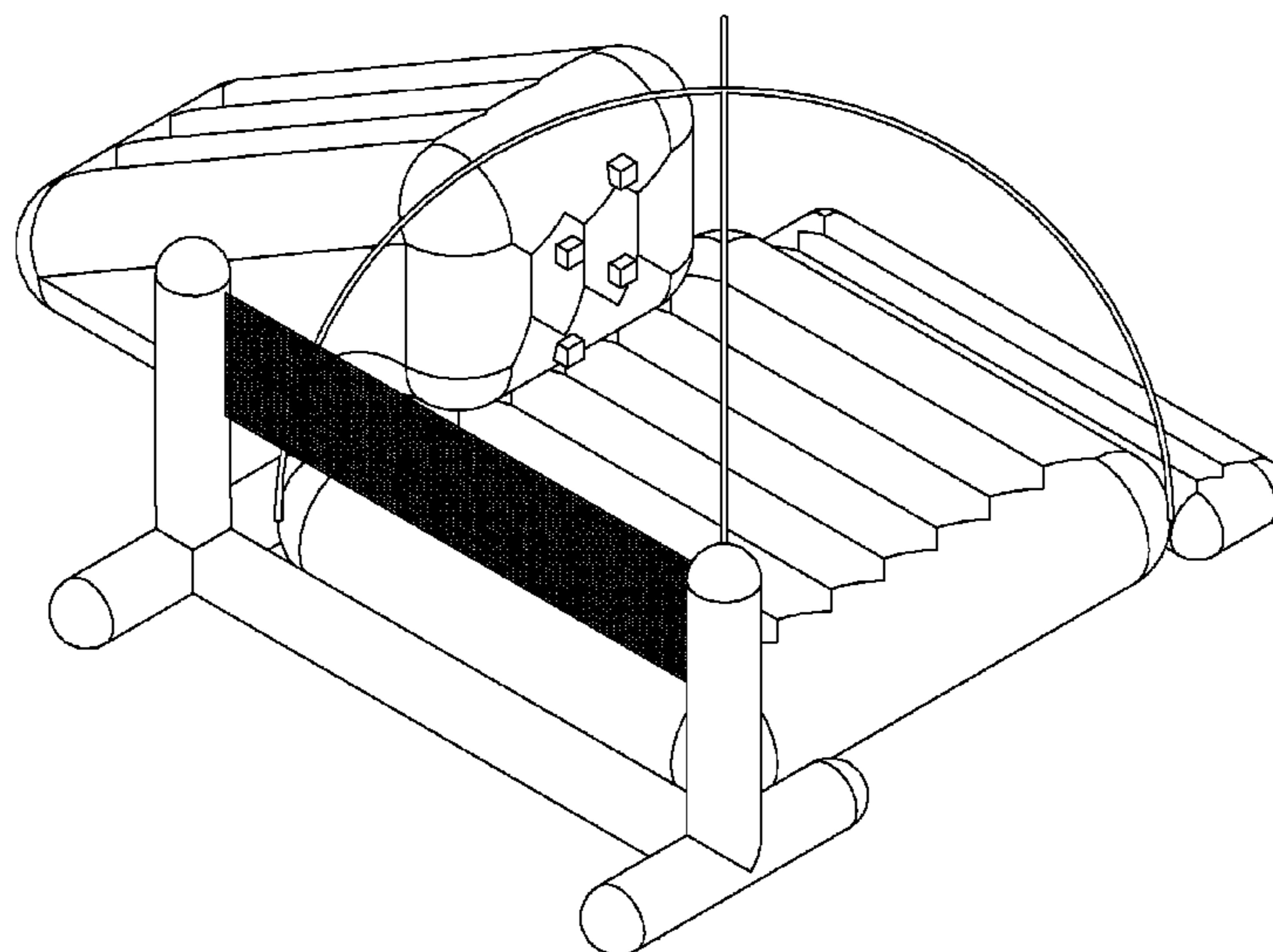
FIG. 4 is a back-side view of an inflatable floating island according to the subject matter disclosed herein;

FIG. 5 is a right-side view of an inflatable floating island according to the subject matter disclosed herein;

FIG. 6 is a top view of an inflatable floating island according to the subject matter disclosed herein; and,

FIG. 7 is a bottom view of an inflatable floating island according to the subject matter disclosed herein.

**1 Claim, 7 Drawing Sheets**



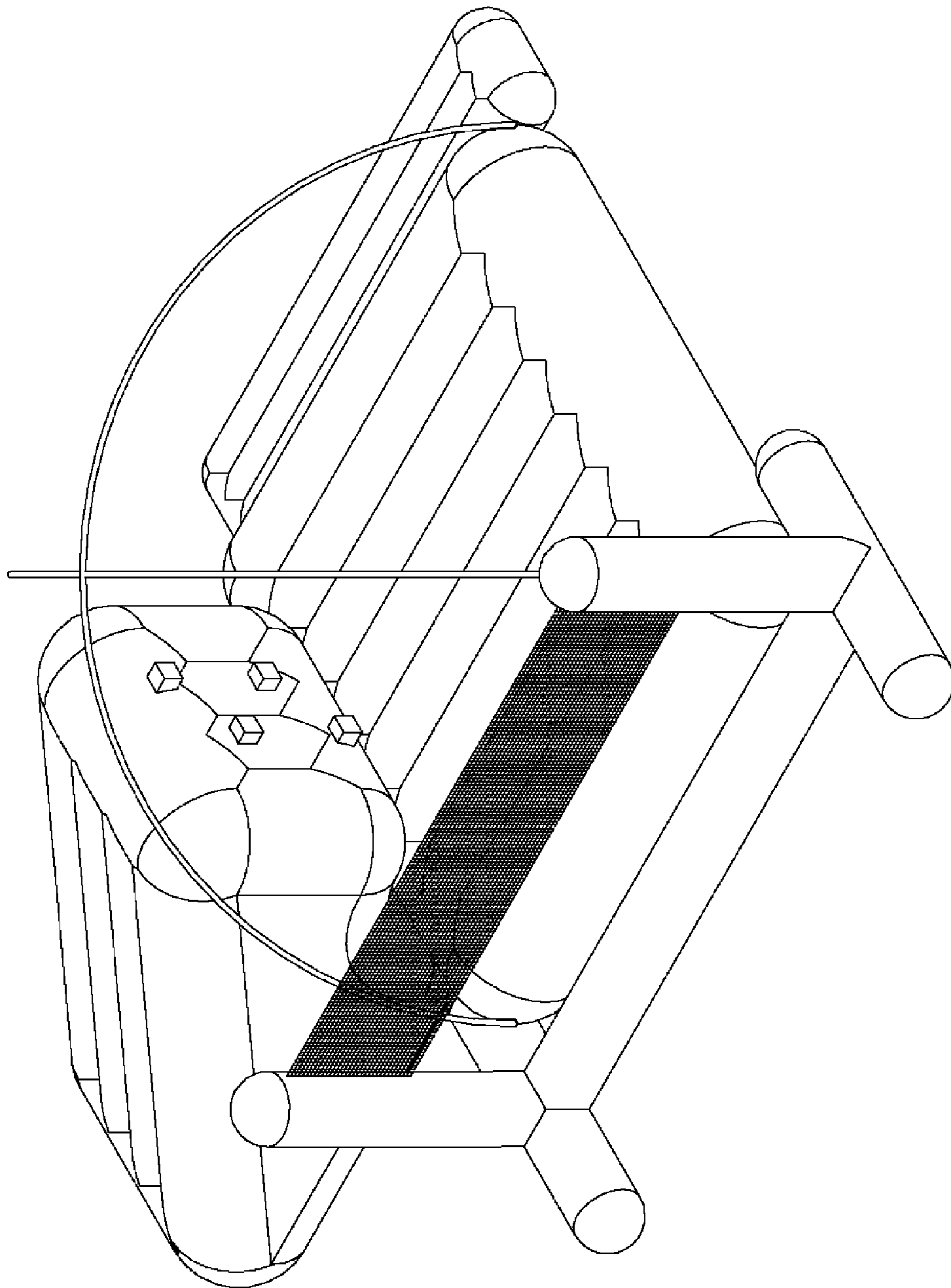


FIG. 1

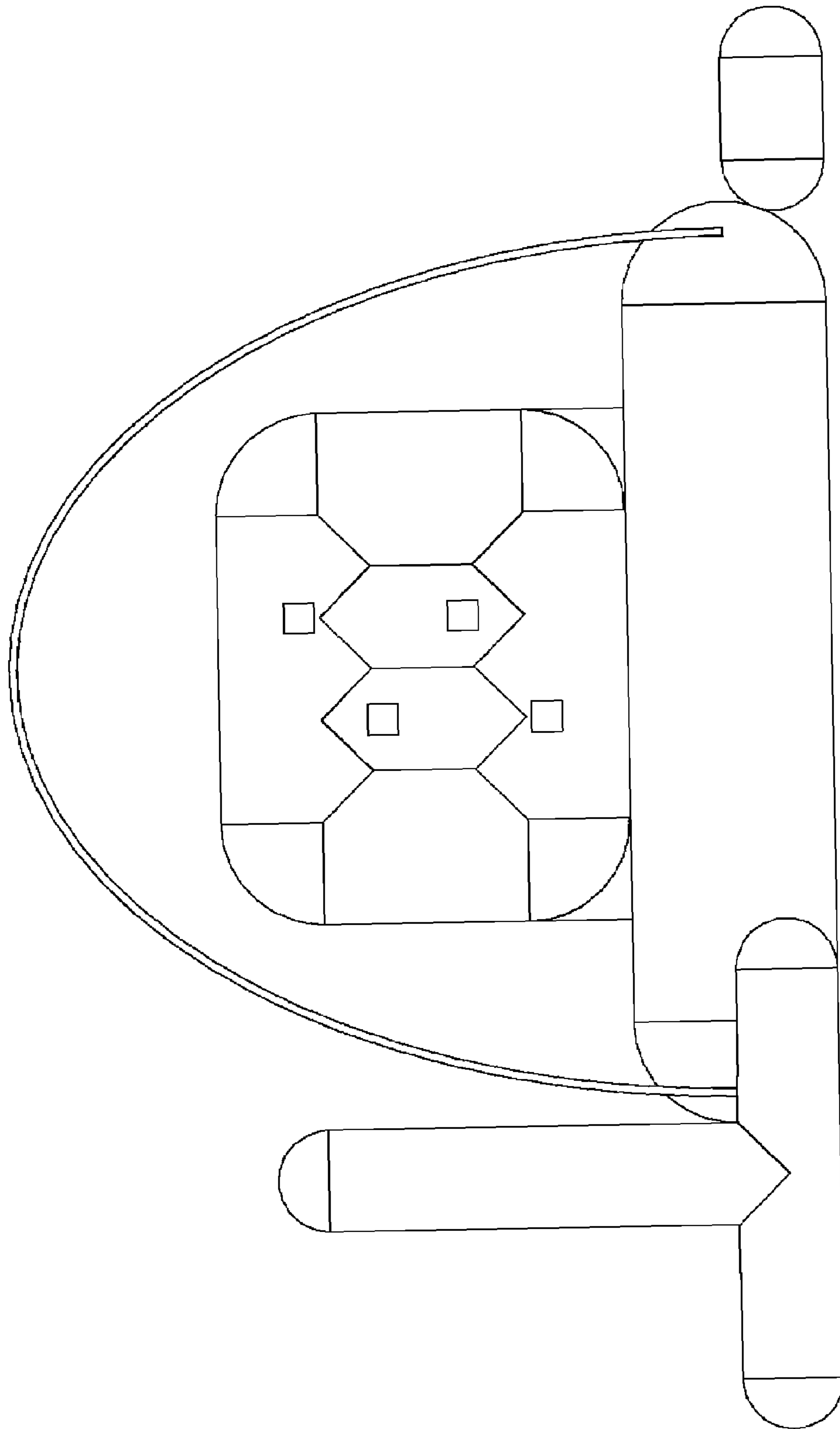


FIG. 2

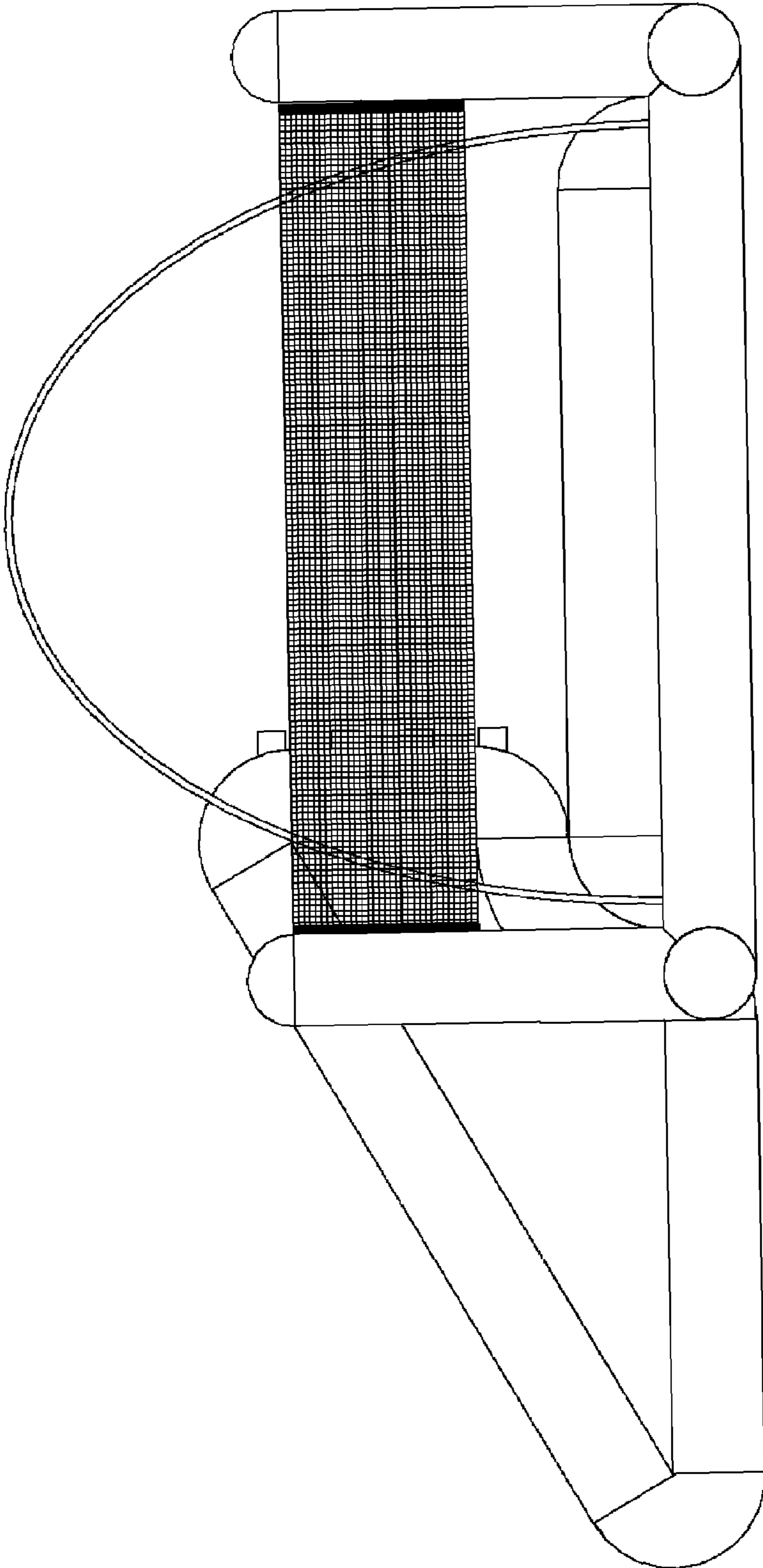


FIG. 3

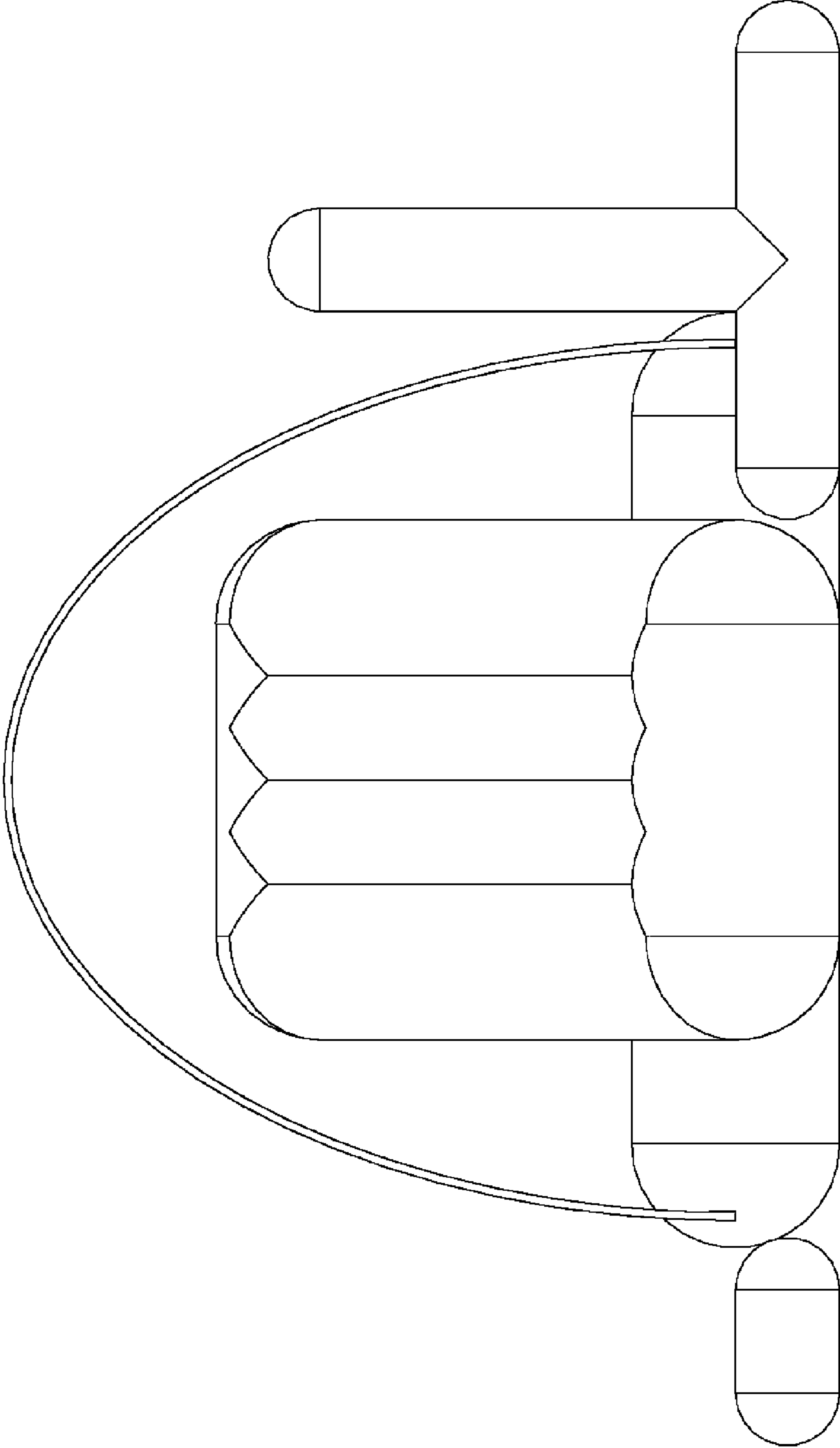


FIG. 4

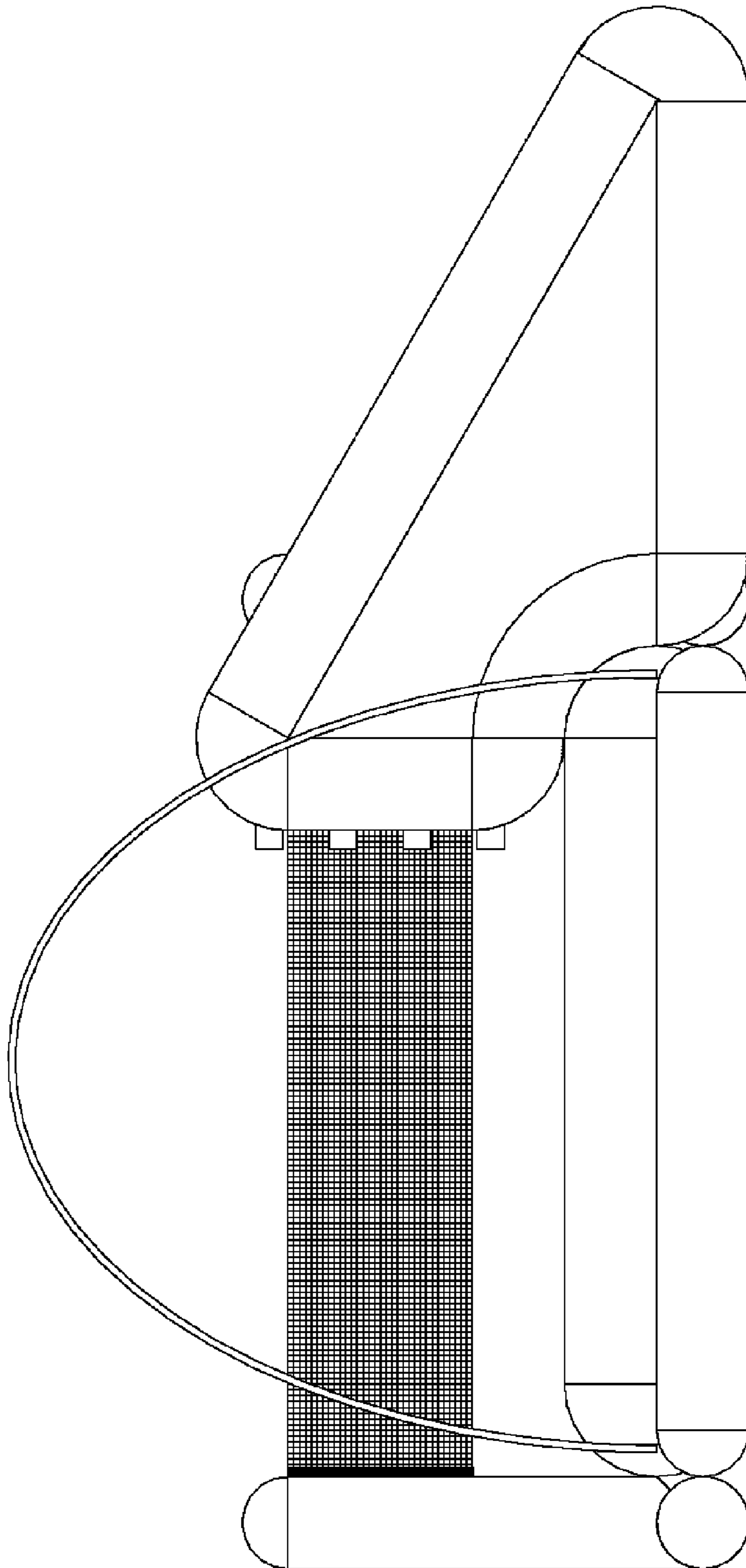


FIG. 5



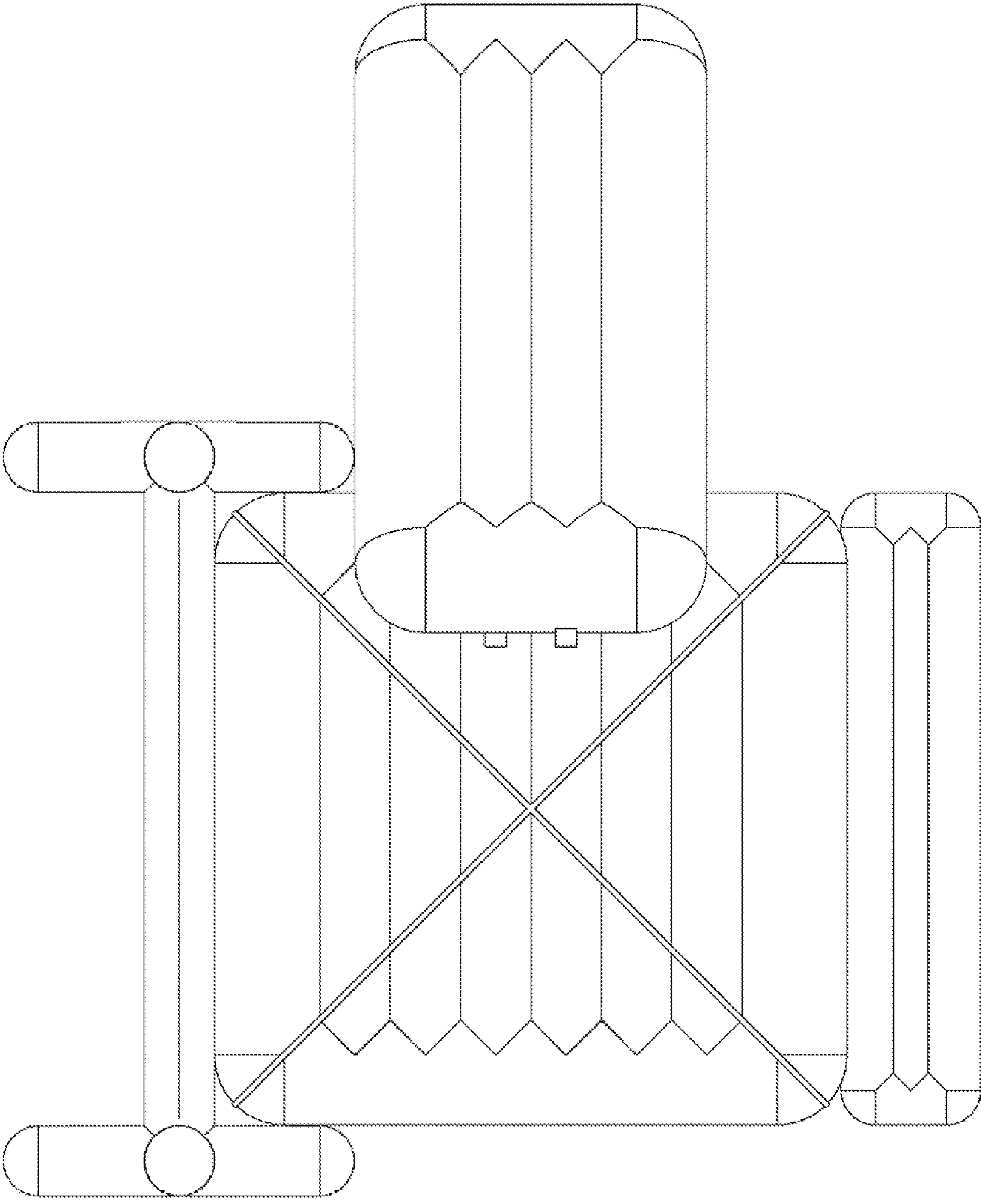


FIG. 6

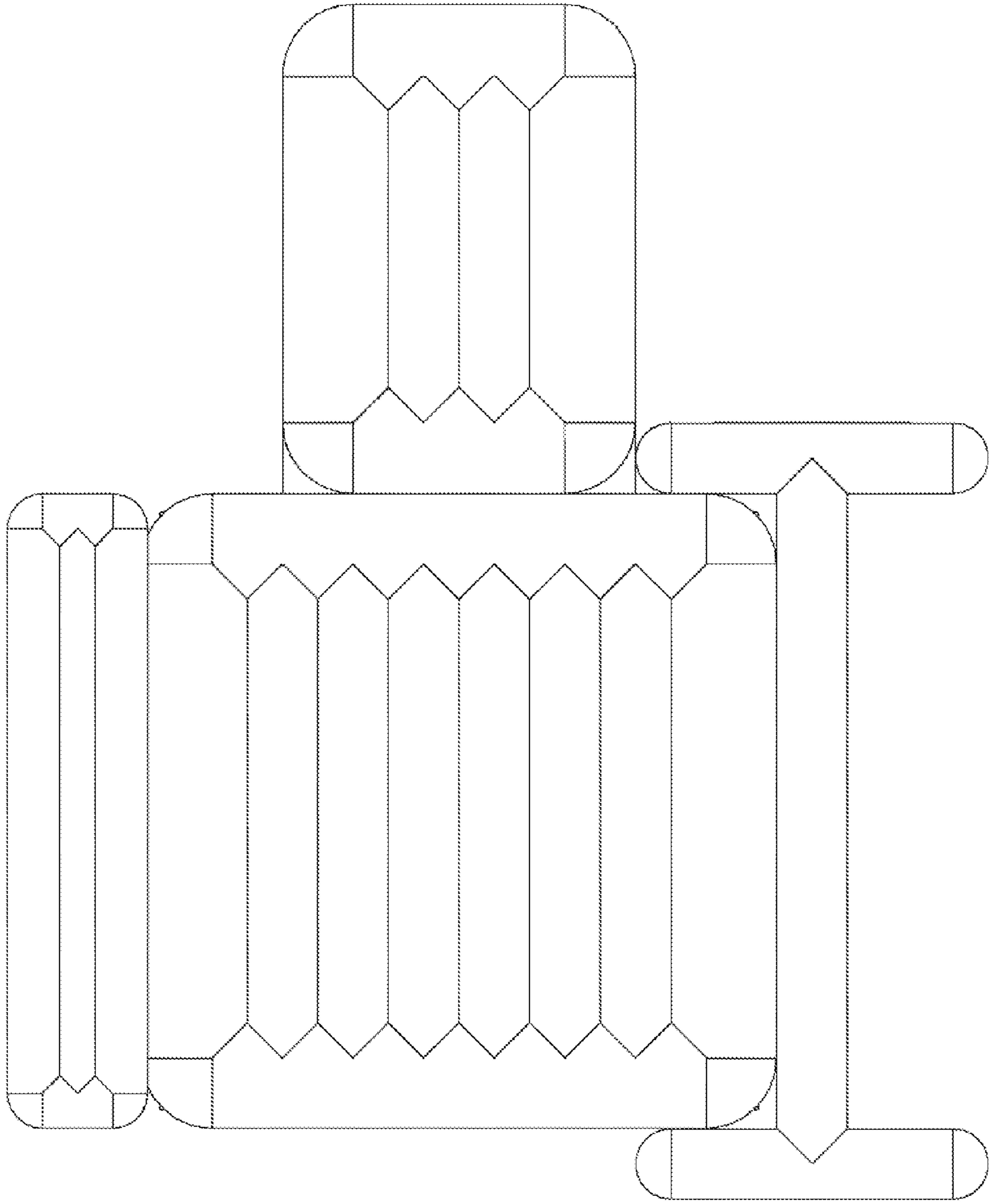


FIG. 7