

US00D574456S

(12) **United States Design Patent**
Chen et al.

(10) **Patent No.:** **US D574,456 S**

(45) **Date of Patent:** **** Aug. 5, 2008**

(54) **GOLF CLUB HEAD**

(75) Inventors: **Xiaojian Chen**, Phoenix, AZ (US);
David D. Jones, Glendale, AZ (US)

(73) Assignee: **Karsten Manufacturing Corporation**,
Phoenix, AZ (US)

(**) Term: **14 Years**

(21) Appl. No.: **29/282,479**

(22) Filed: **Jul. 20, 2007**

(51) **LOC (8) Cl.** **21-02**

(52) **U.S. Cl.** **D21/759**

(58) **Field of Classification Search** D21/736-753,
D21/759; 473/324-331, 340-341
See application file for complete search history.

(56) **References Cited**

U.S. PATENT DOCUMENTS

D500,541 S * 1/2005 Rollinson et al. D21/759
D502,239 S * 2/2005 Dogan et al. D21/759
D502,751 S * 3/2005 Lukasiewicz D21/759

D510,395 S * 10/2005 Miraflor et al. D21/759
D565,683 S * 4/2008 Homma D21/759
D565,684 S * 4/2008 Homma D21/759
D565,685 S * 4/2008 Homma D21/759
D565,686 S * 4/2008 Homma D21/759
D571,426 S * 6/2008 Chen et al. D21/759

* cited by examiner

Primary Examiner—Mitchell I Siegel

(57) **CLAIM**

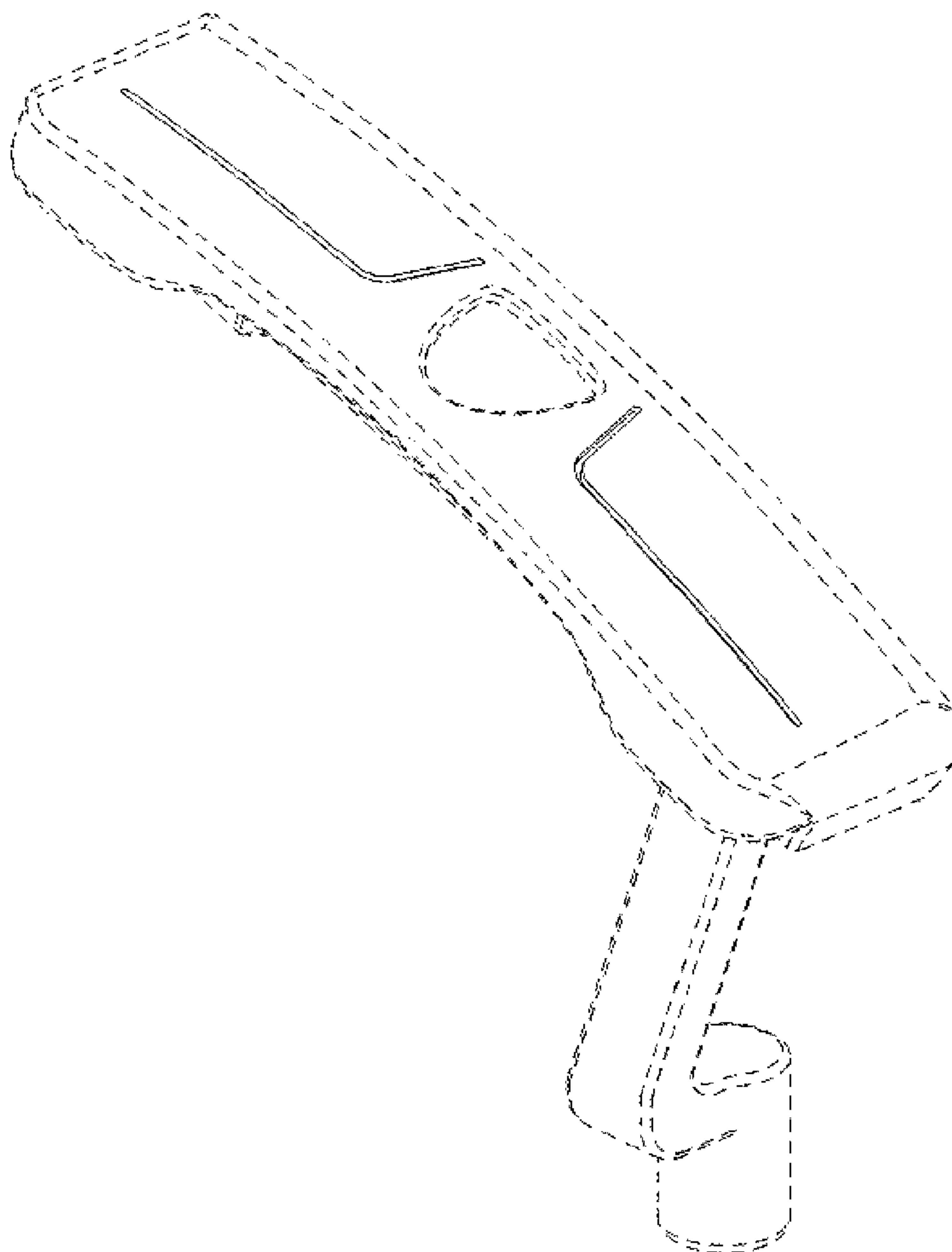
The ornamental design for a golf club head, as shown and described.

DESCRIPTION

FIG. 1 is a bottom view of the golf club head; and,
FIG. 2 is a bottom perspective view of the golf club head thereof.

The broken lines shown in one or more of the figures are for illustrative purposes only and form no part of the claimed design.

1 Claim, 1 Drawing Sheet



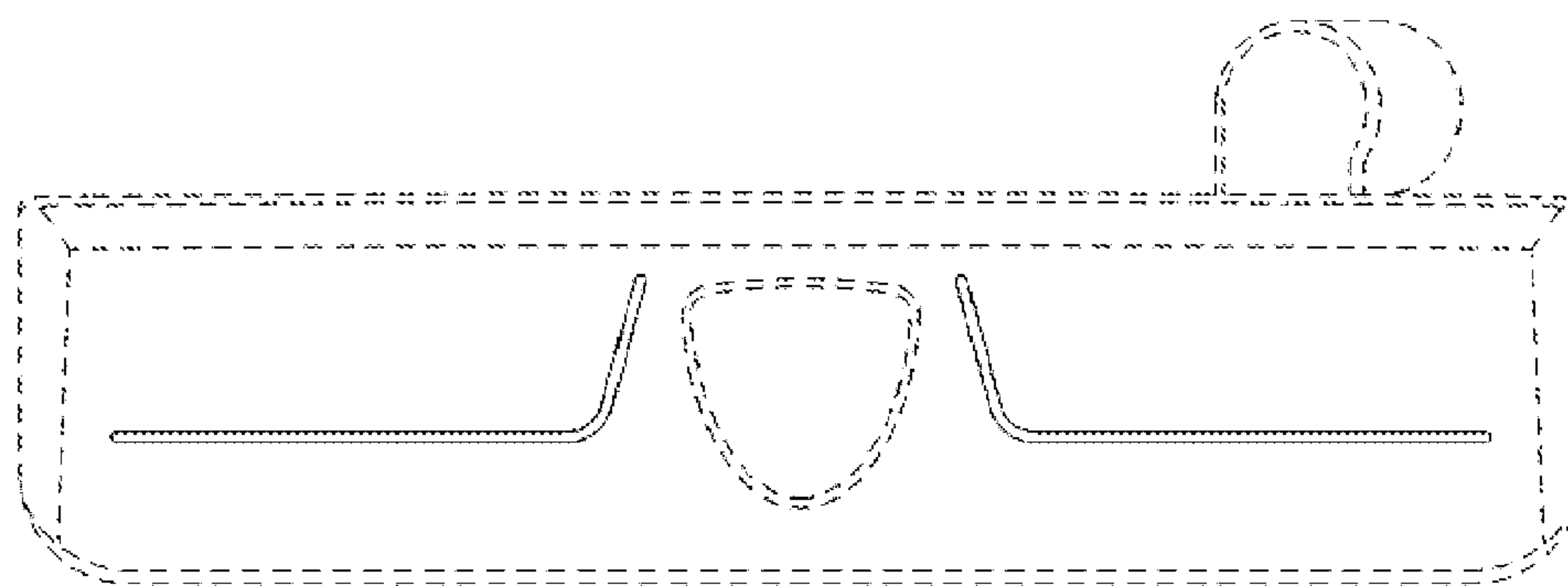


FIG. 1

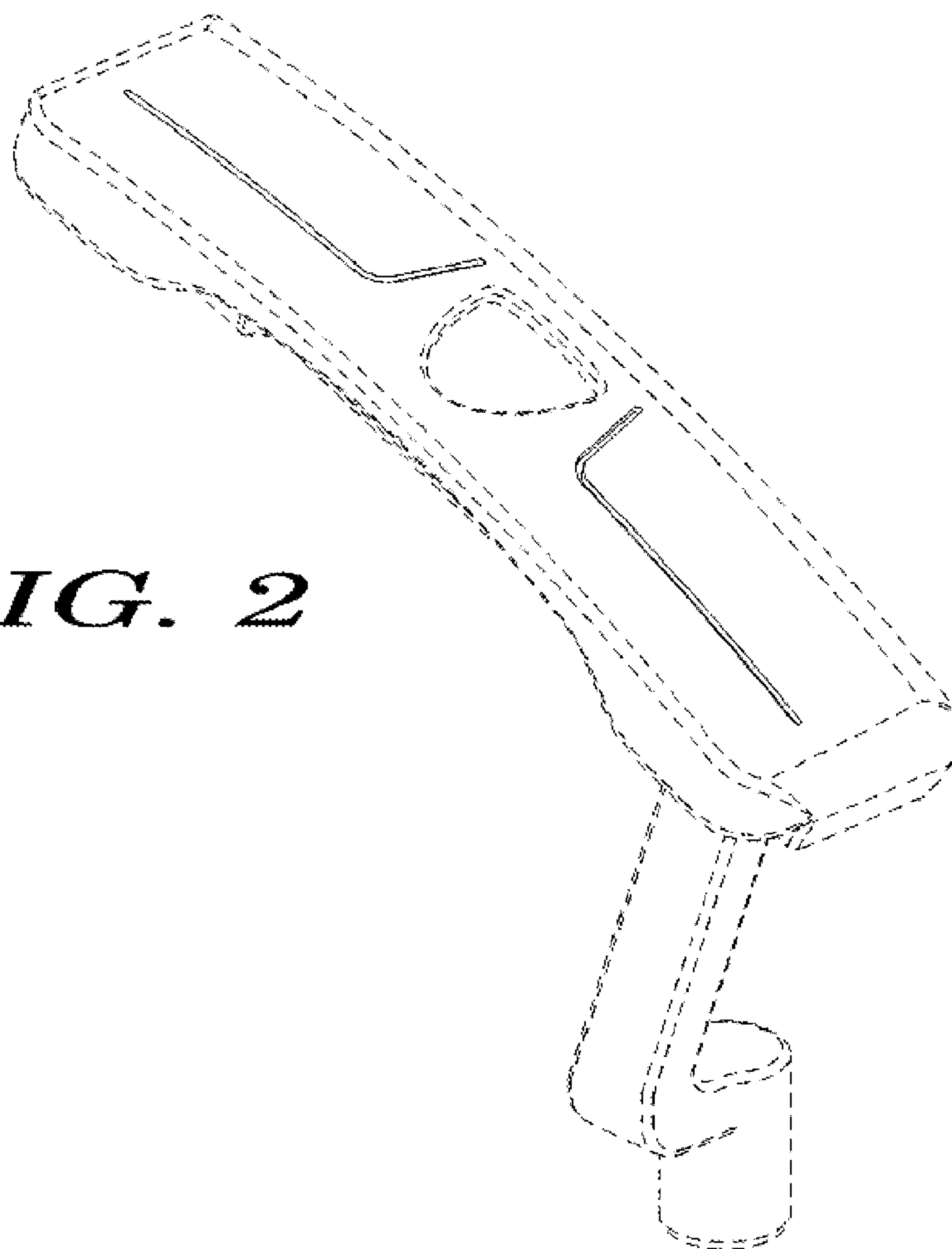


FIG. 2