



US00D574451S

(12) **United States Design Patent**
Muramatsu

(10) **Patent No.:** **US D574,451 S**
(45) **Date of Patent:** **** Aug. 5, 2008**

(54) **FITNESS EQUIPMENT**

(75) Inventor: **Etsushi Muramatsu**, Kanagawa (JP)

(73) Assignee: **Matsushita Electric Works, Ltd.**,
Osaka (JP)

(**) Term: **14 Years**

(21) Appl. No.: **29/289,232**

(22) Filed: **Jul. 12, 2007**

(30) **Foreign Application Priority Data**

Jan. 12, 2007 (JP) 2007-000329

(51) **LOC (8) Cl.** **21-02**

(52) **U.S. Cl.** **D21/690; D21/662**

(58) **Field of Classification Search** D21/662,
D21/686, 687, 688, 689, 690; 601/23, 49,
601/51, 70, 90; 482/51, 72, 96, 142, 145,
482/146, 148; D24/183

See application file for complete search history.

(56) **References Cited**

U.S. PATENT DOCUMENTS

D440,264 S * 4/2001 Venhuizen D21/690
D459,419 S * 6/2002 Nishiyama et al. D21/686
6,485,398 B1 * 11/2002 Kreft 482/94

6,488,640 B2 * 12/2002 Hood et al. 601/23
D507,312 S * 7/2005 Nishiyama et al. D21/690
D512,755 S * 12/2005 Nishiyama et al. D21/690
D522,074 S * 5/2006 Dummel D21/662
D532,828 S * 11/2006 Muramatsu D21/690
7,201,709 B1 * 4/2007 Pebbles, Jr. 482/95
D561,273 S * 2/2008 Wu et al. D21/662

* cited by examiner

Primary Examiner—Philip S Hyder

(57) **CLAIM**

The ornamental design for the fitness equipment, as shown and described.

DESCRIPTION

FIG. 1 is a perspective view of the design according to the invention.

FIG. 2 is a front view of the design according to the invention.

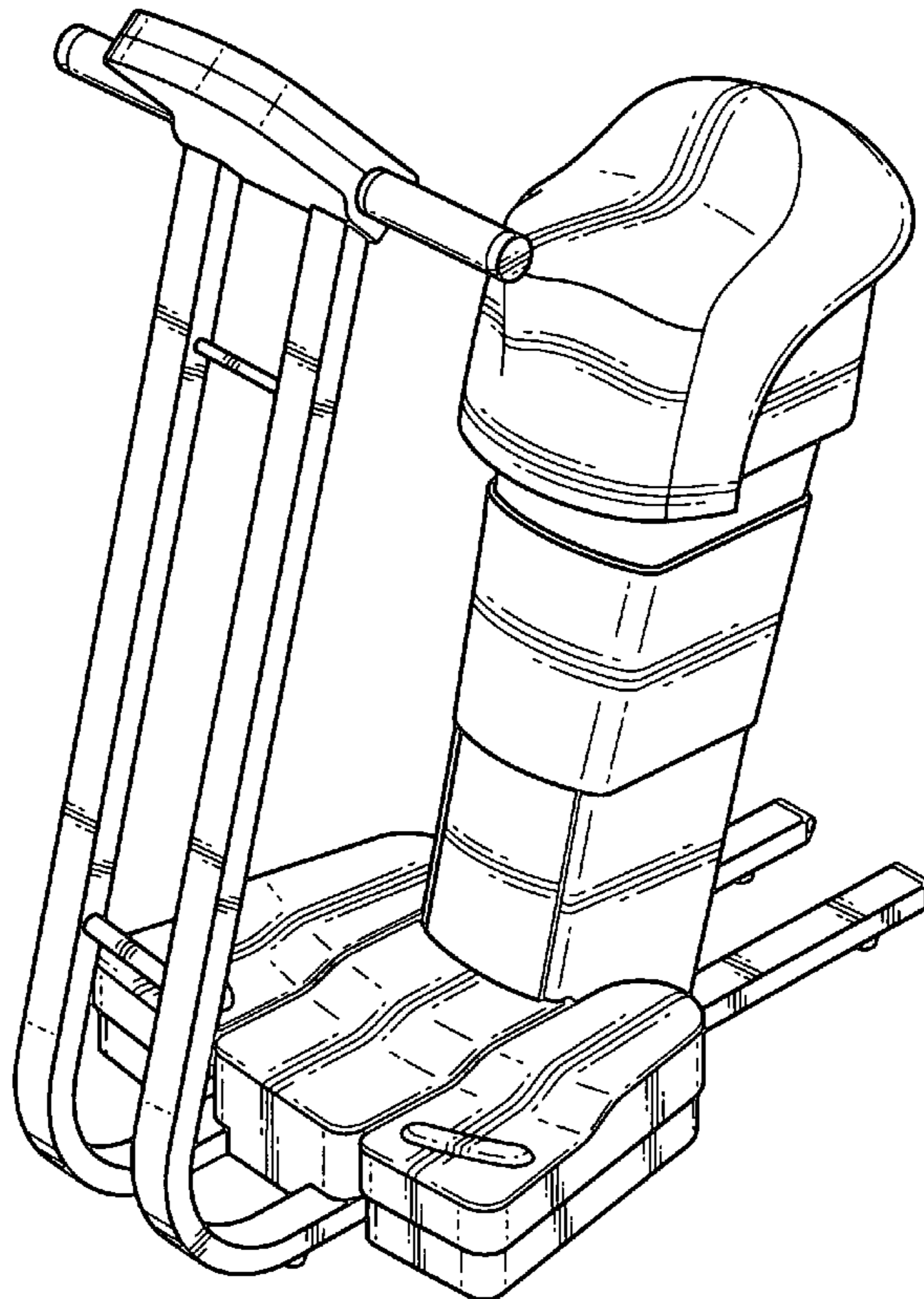
FIG. 3 is a rear view of the design according to the invention.

FIG. 4 is a left side view of the design according to the invention, a right side view being a mirror image thereof.

FIG. 5 is a top plan view of the design according to the invention; and,

FIG. 6 is a bottom view of the design according to the invention.

1 Claim, 5 Drawing Sheets



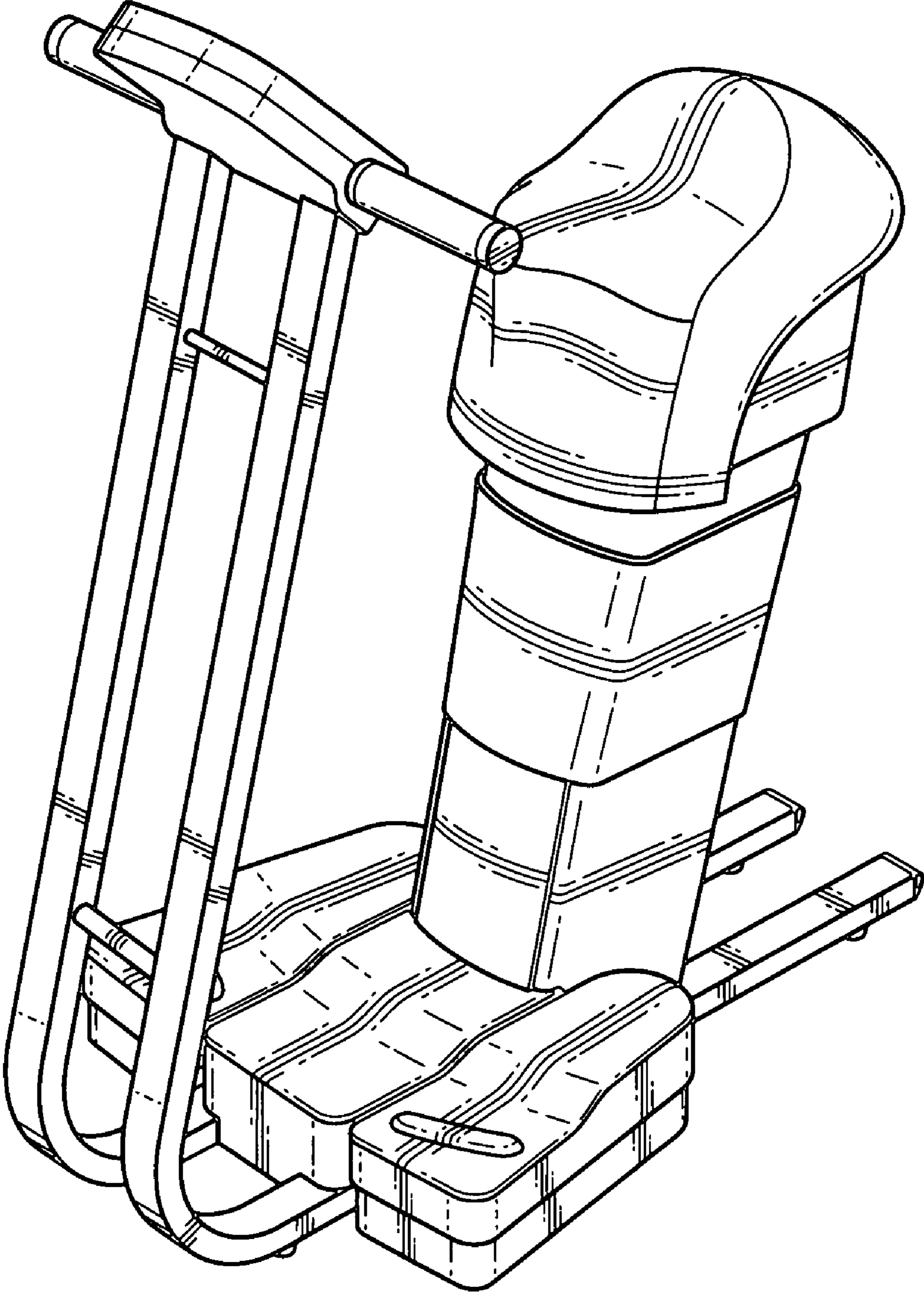


FIG. 1

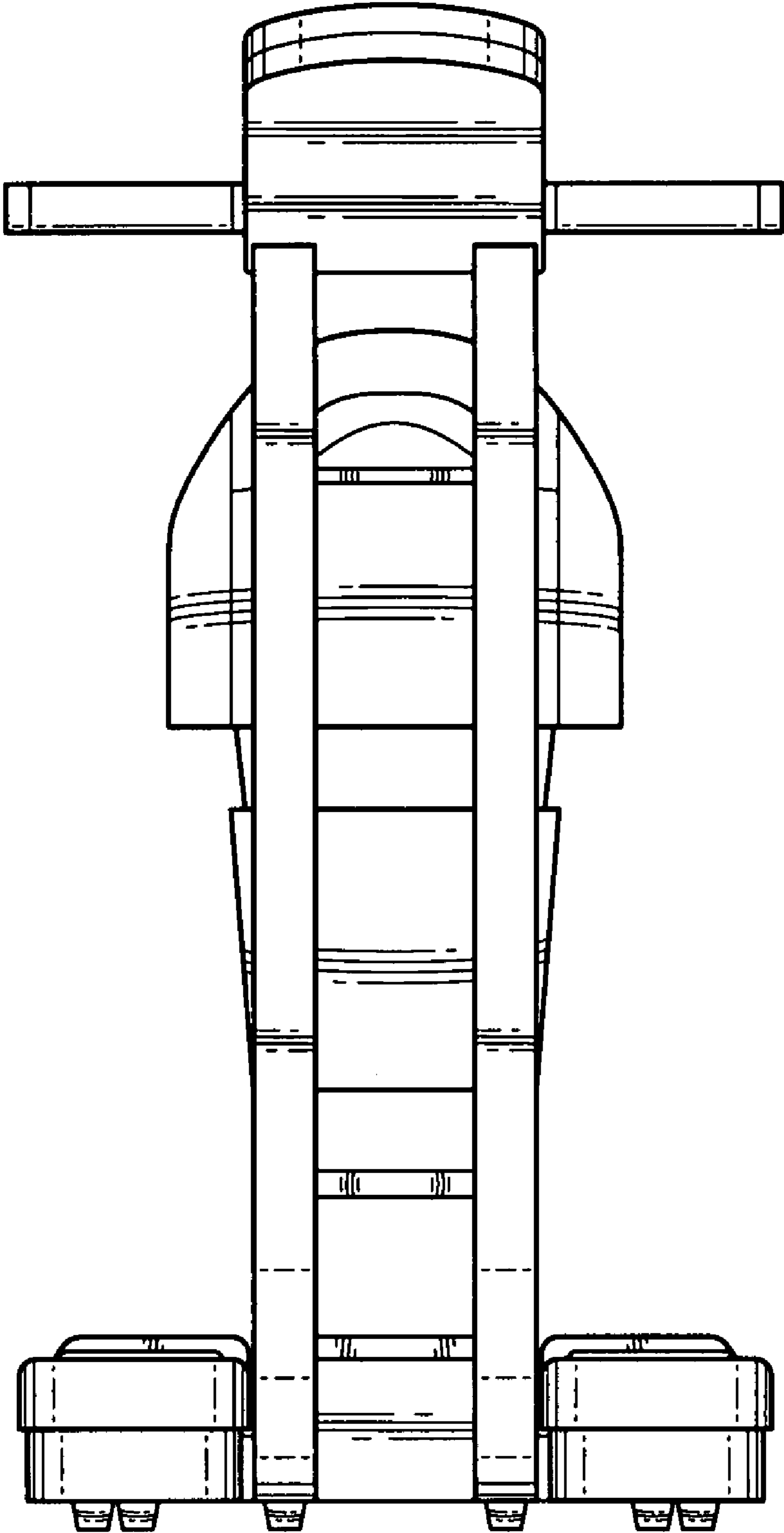


FIG. 2

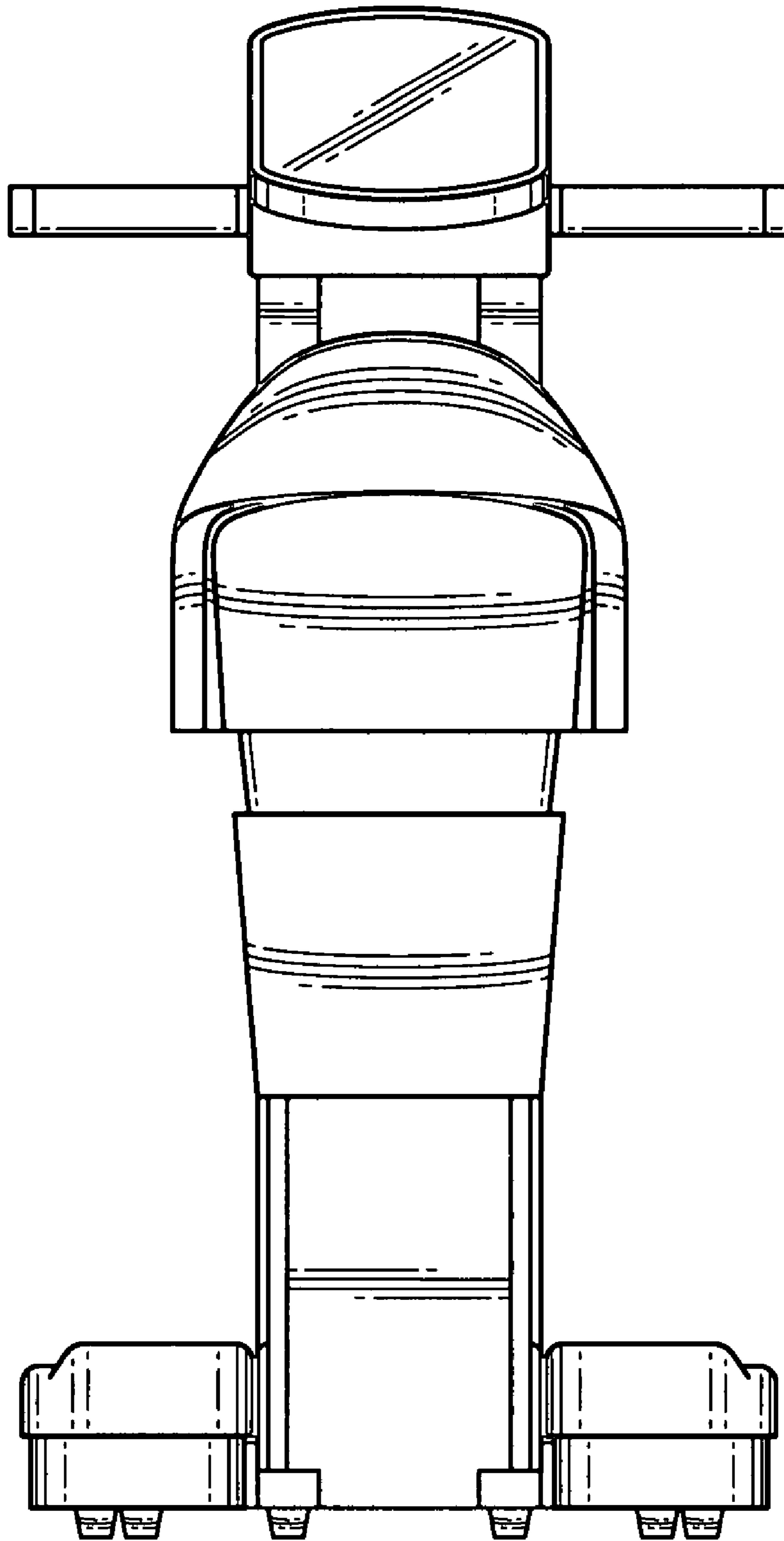


FIG. 3

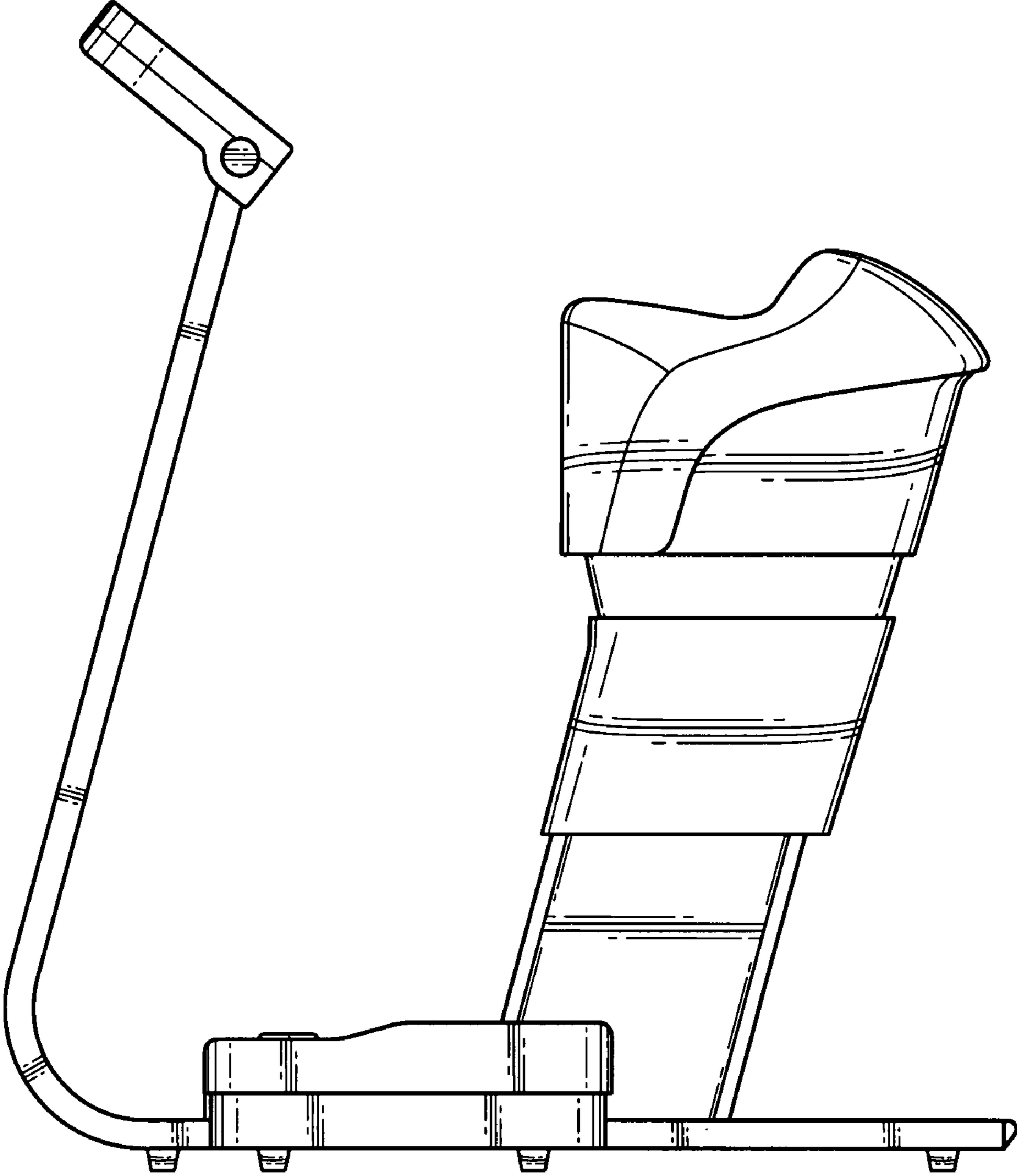


FIG. 4

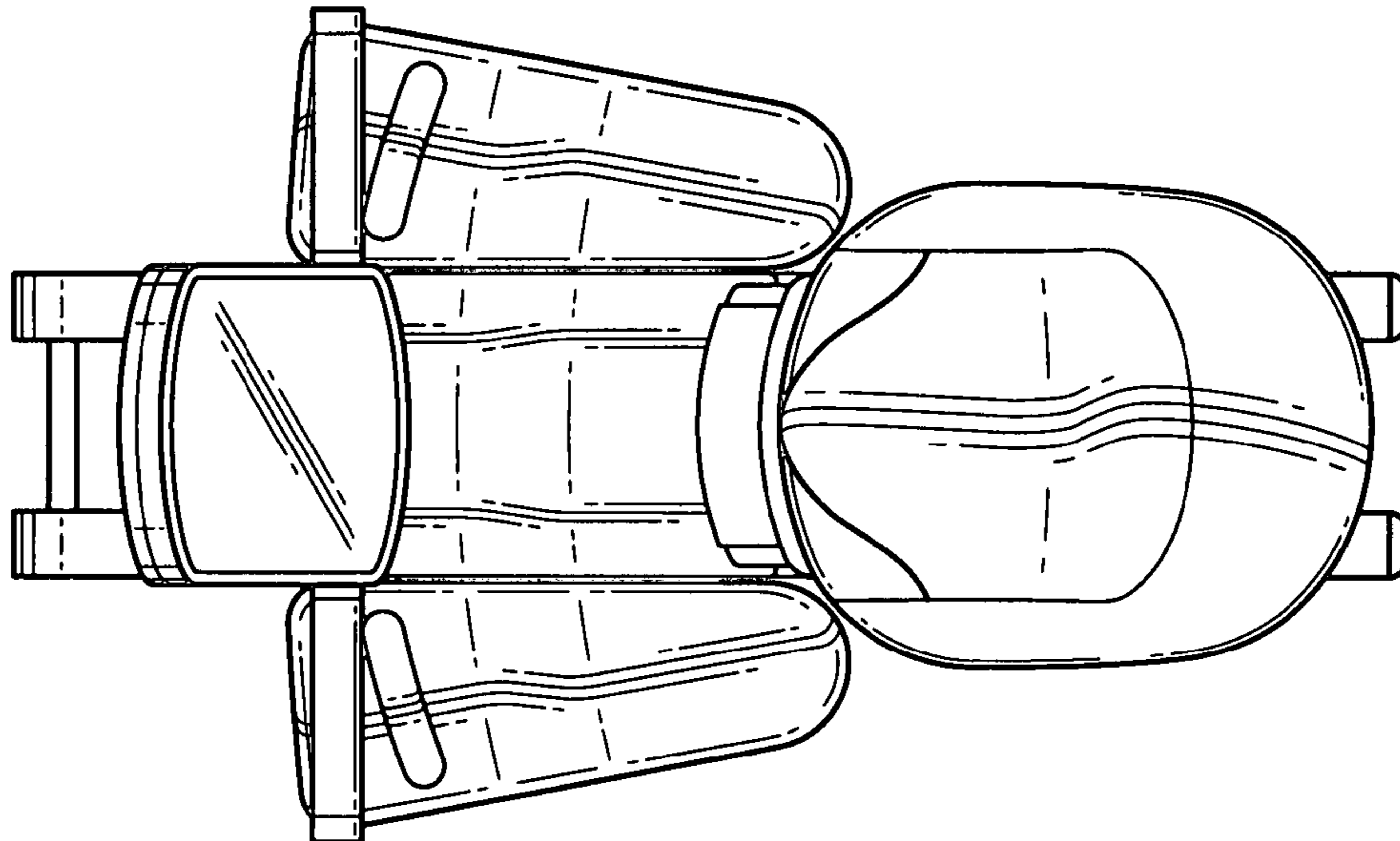


FIG. 5

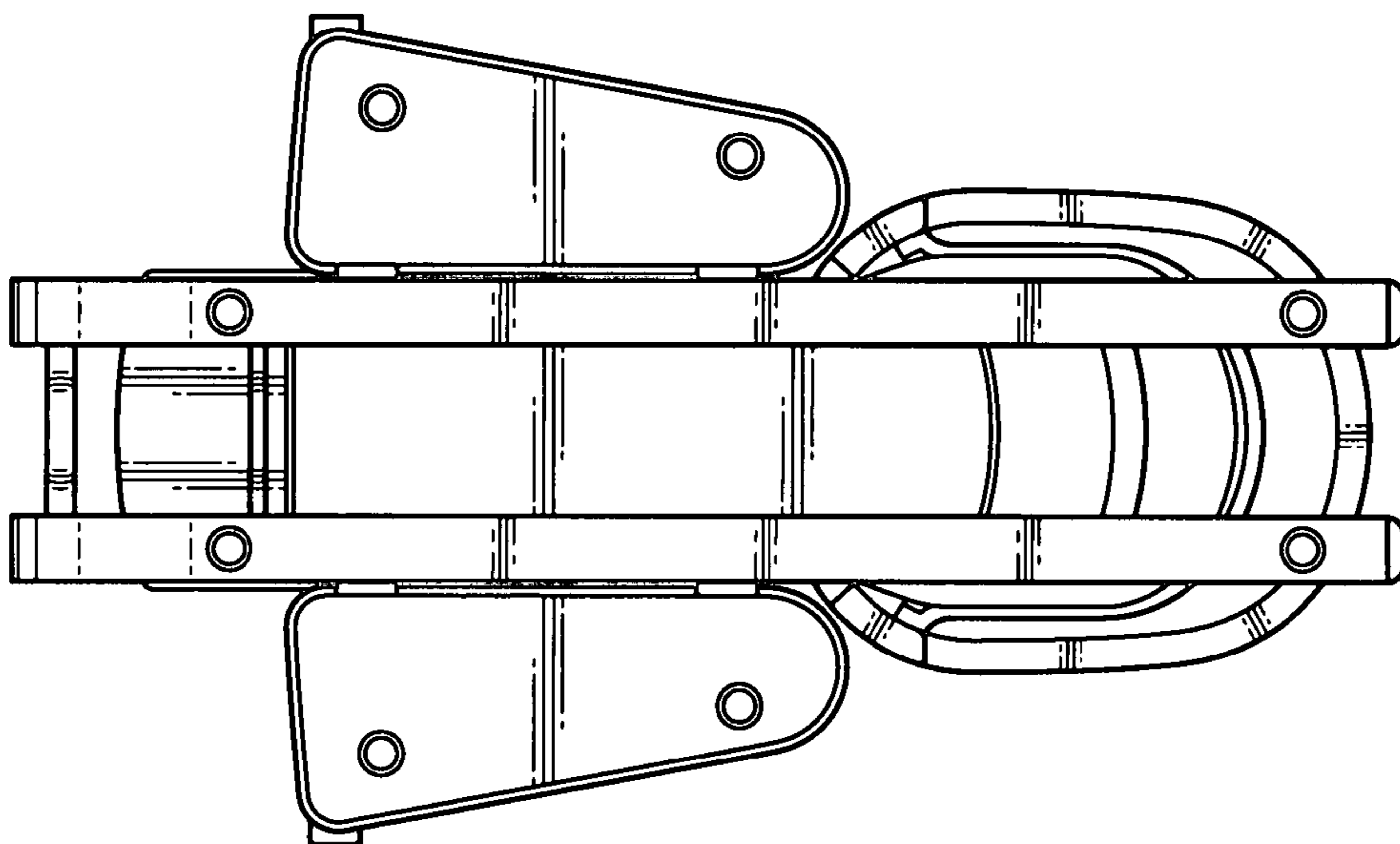


FIG. 6