

US00D574449S

(12) **United States Design Patent**
Webber et al.

(10) **Patent No.:** **US D574,449 S**

(45) **Date of Patent:** **** Aug. 5, 2008**

(54) **ABDOMINAL EXERCISE MACHINE**

(75) Inventors: **Randall T. Webber**, La Jolla, CA (US);
Bruce Hockridge, San Diego, CA (US);
Jeffrey O. Meredith, San Diego, CA
(US)

(73) Assignee: **Hoist Fitness Systems**, San Diego, CA
(US)

(**) Term: **14 Years**

(21) Appl. No.: **29/279,975**

(22) Filed: **May 11, 2007**

(51) **LOC (8) Cl.** **21-02**

(52) **U.S. Cl.** **D21/675; D21/676**

(58) **Field of Classification Search** D21/662,
D21/673, 675, 676, 686, 687; 482/93, 94,
482/95, 96, 97, 98, 99, 100, 133, 135, 140
See application file for complete search history.

(56) **References Cited**

U.S. PATENT DOCUMENTS

4,387,893	A	6/1983	Baldwin	
5,104,121	A *	4/1992	Webb	482/137
5,692,997	A *	12/1997	Stearns	482/100
5,938,575	A *	8/1999	Stearns	482/140
6,186,926	B1	2/2001	Ellis	
D490,127	S *	5/2004	Giannelli et al.	D21/676
D516,140	S *	2/2006	Panatta	D21/676
D516,143	S *	2/2006	Panatta	D21/676
2006/0211549	A1	9/2006	Nohejl	

OTHER PUBLICATIONS

Abcore Abdominal Free Weight Training Machine, Advertisement,
Club Business Magazine, Mar. 2007.

Abdominal Exercise Machine, Nautilus, Brochure, 1997.
712 Abdominal Isolator, Icarian Brochure, date unknown.
F609 Abdominal Machine and F611 Abflexor, Flex Fitness Brochure,
2002.
Power Crunch 1500, Quantum Brochure, 2004.
07008 Abdominal Machine, Gym 80 Brochure, 2001.
Abdominal Multi-Joint Machine, Gym 80 Brochure, 2001.
03008 and 03009 Abdominal Machines, Gym 80 Brochure, date
unknown.
U.S. Design Appl. No. 29/279,972 of Webber et al., filed May 11,
2007, unpublished.

* cited by examiner

Primary Examiner—Philip Hyder

(74) *Attorney, Agent, or Firm*—Procopio, Cory, Hargreaves
& Savitch LLP

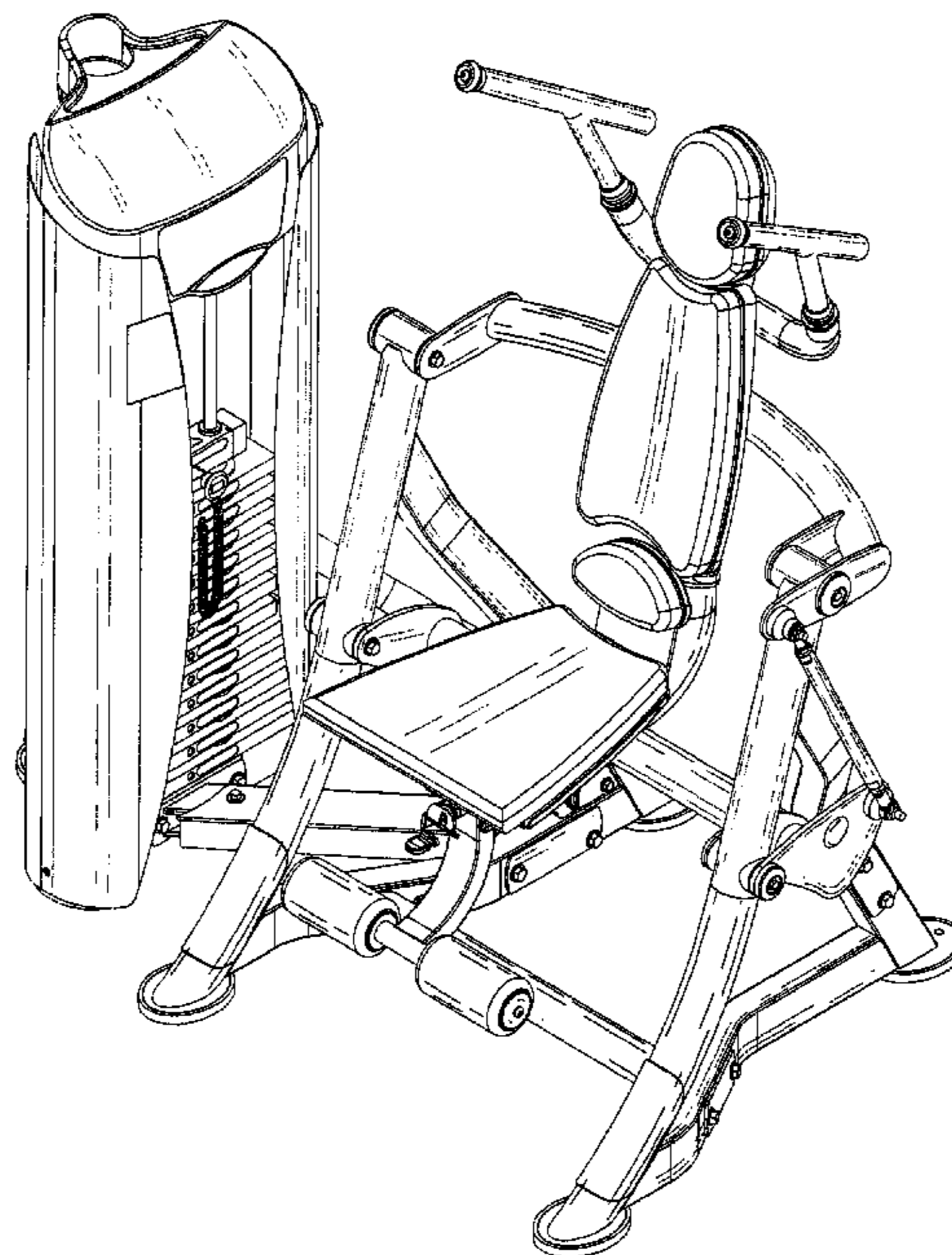
(57) **CLAIM**

The ornamental design for an abdominal exercise machine, as
shown and described.

DESCRIPTION

FIG. 1 is a front perspective view of an abdominal exercise
machine, showing our new design;
FIG. 2 is a rear perspective view thereof;
FIG. 3 is a front elevation view thereof;
FIG. 4 is a rear elevation view thereof;
FIG. 5 is a right side elevation view thereof;
FIG. 6 is a left side elevation view thereof;
FIG. 7 is a top plan view thereof; and,
FIG. 8 is a bottom plan view thereof.

1 Claim, 7 Drawing Sheets



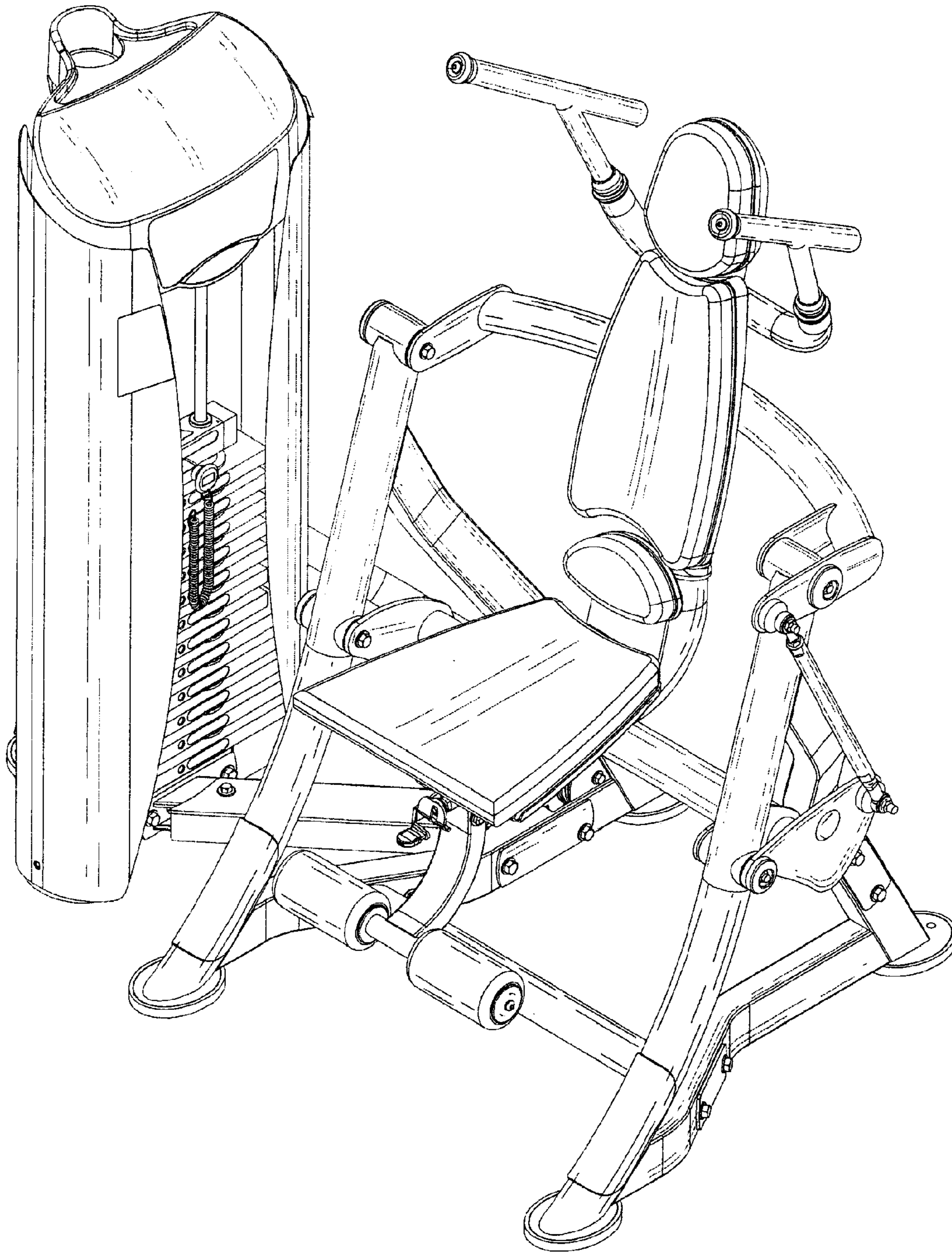


FIG. 1

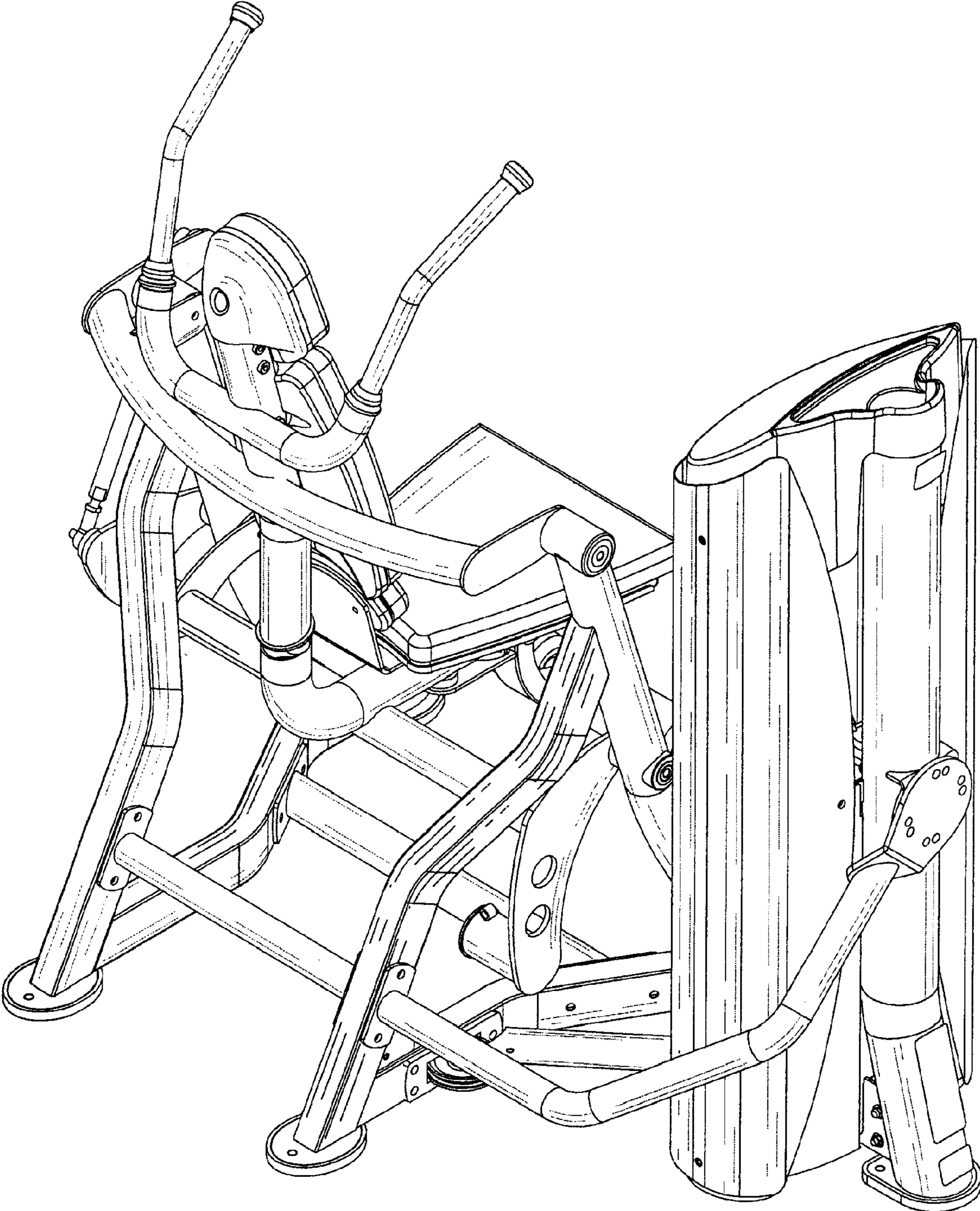


FIG. 2

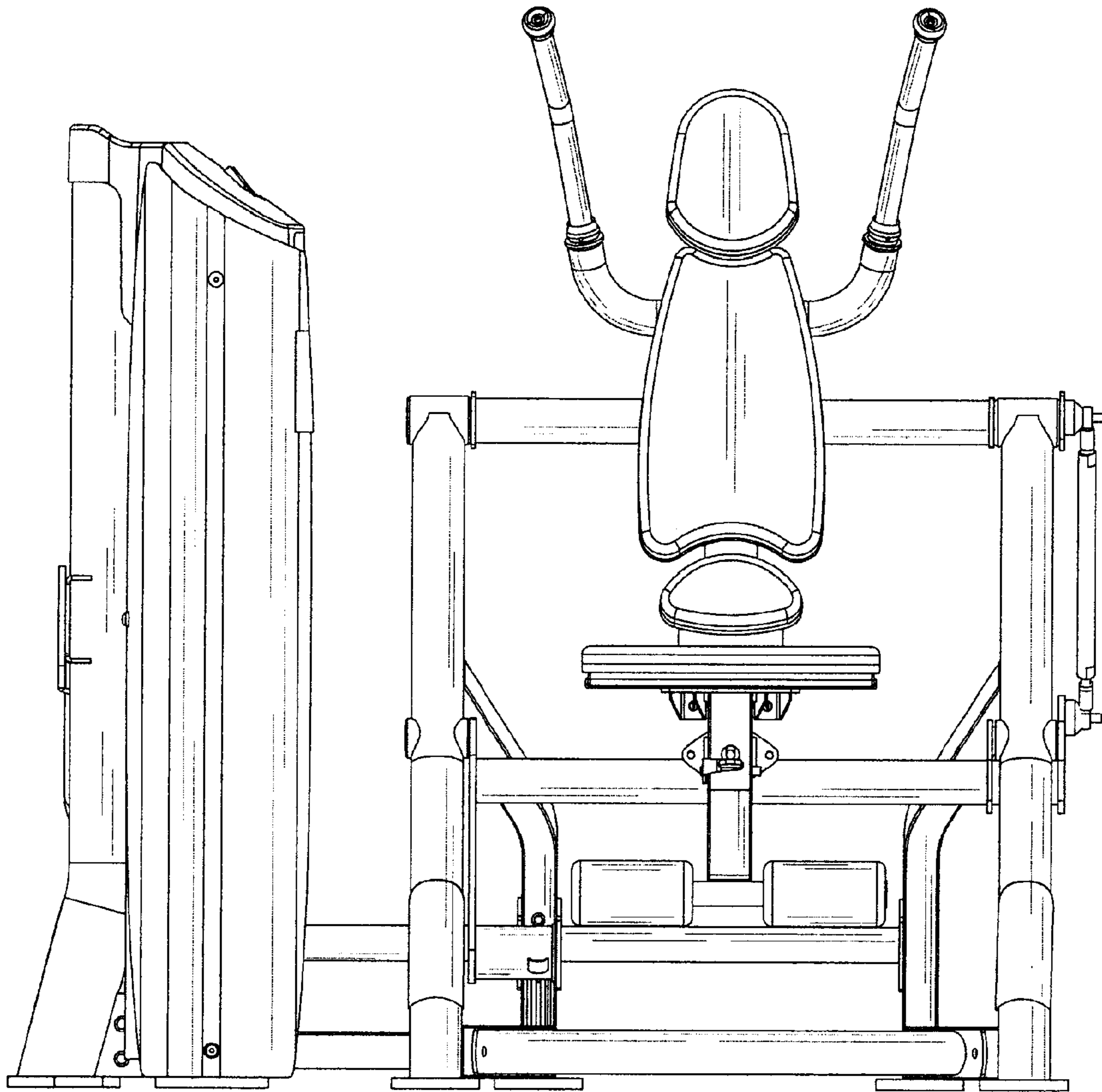


FIG. 3

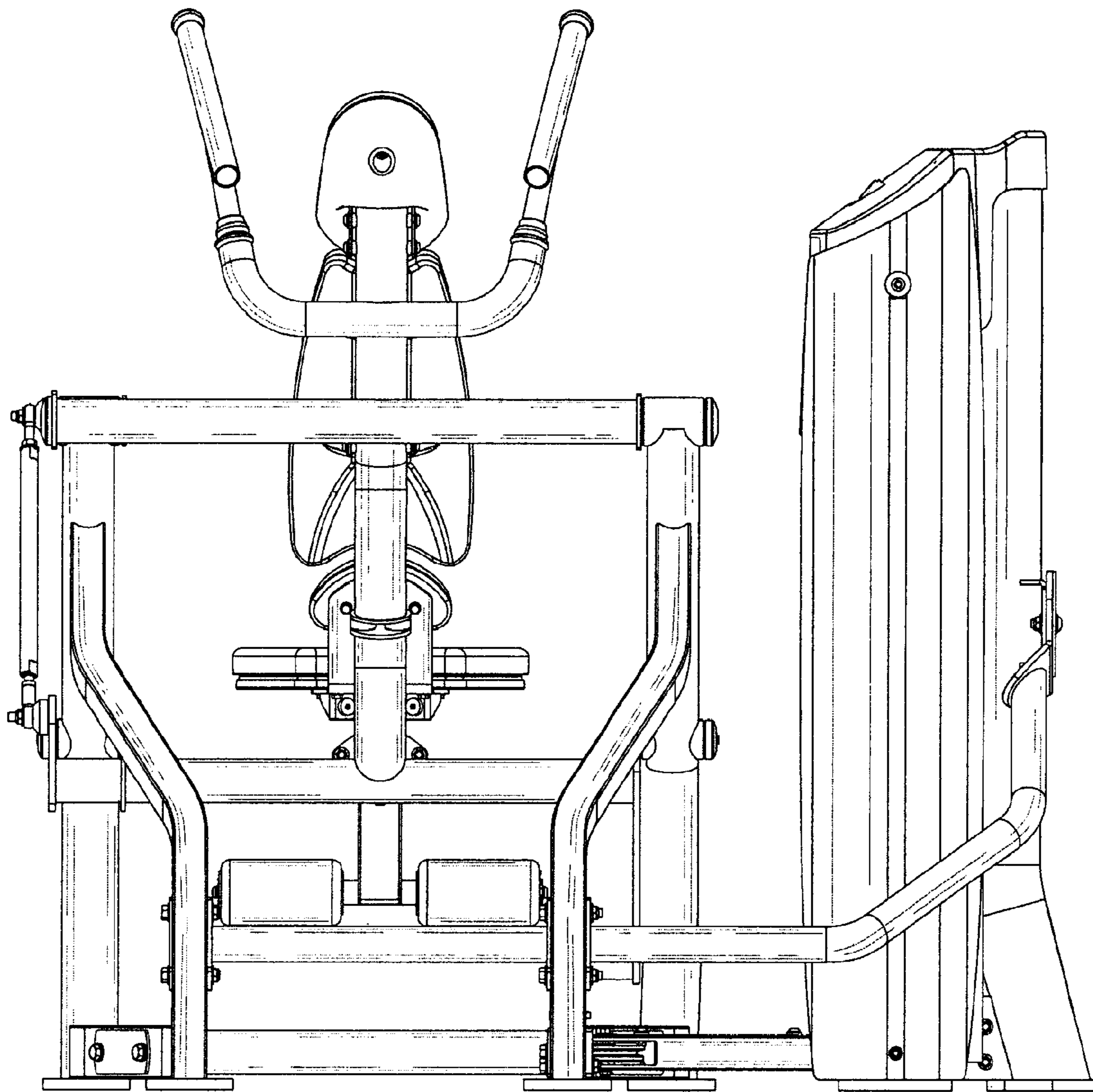


FIG. 4

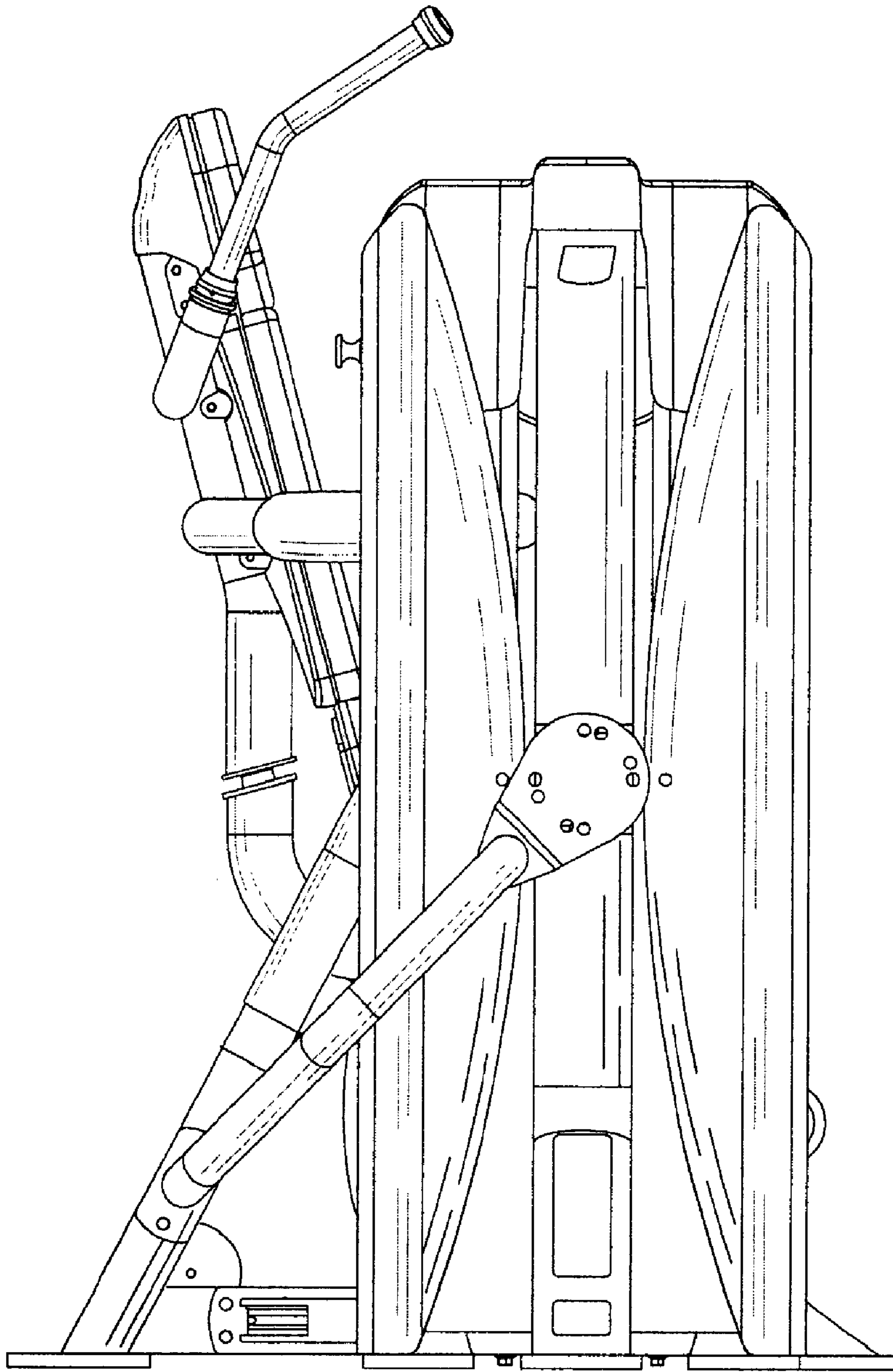


FIG. 5

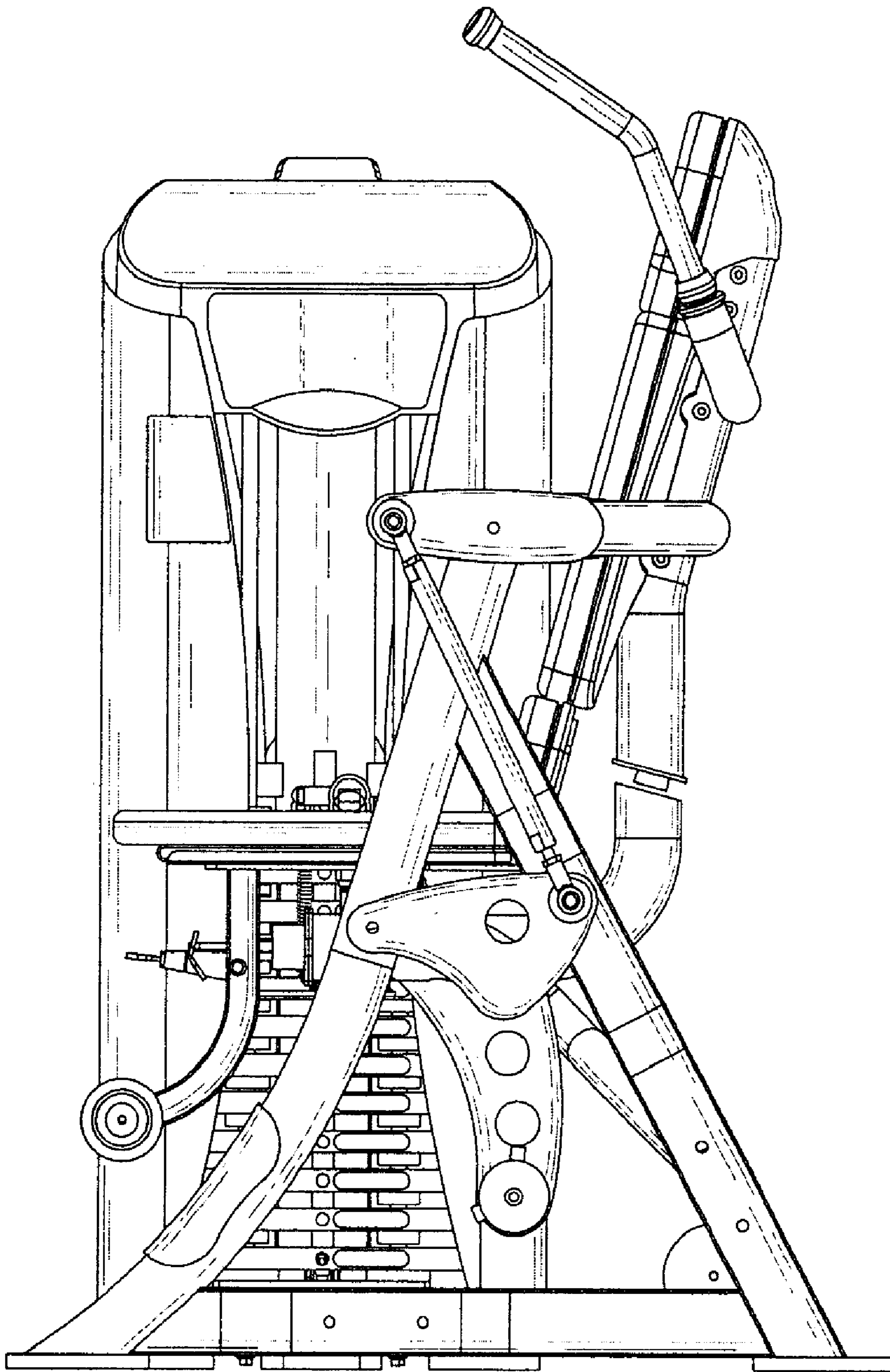


FIG. 6

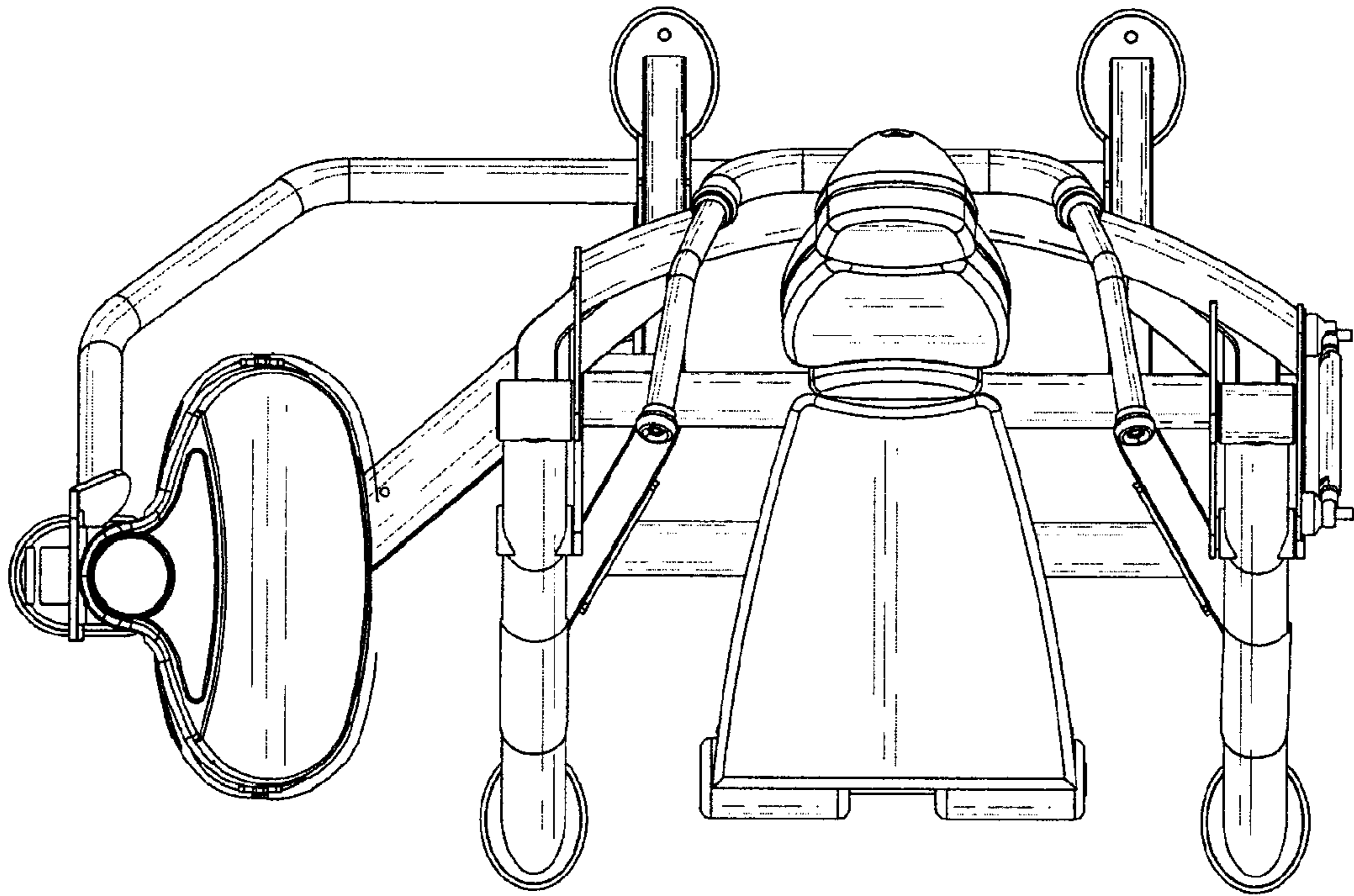


FIG. 7

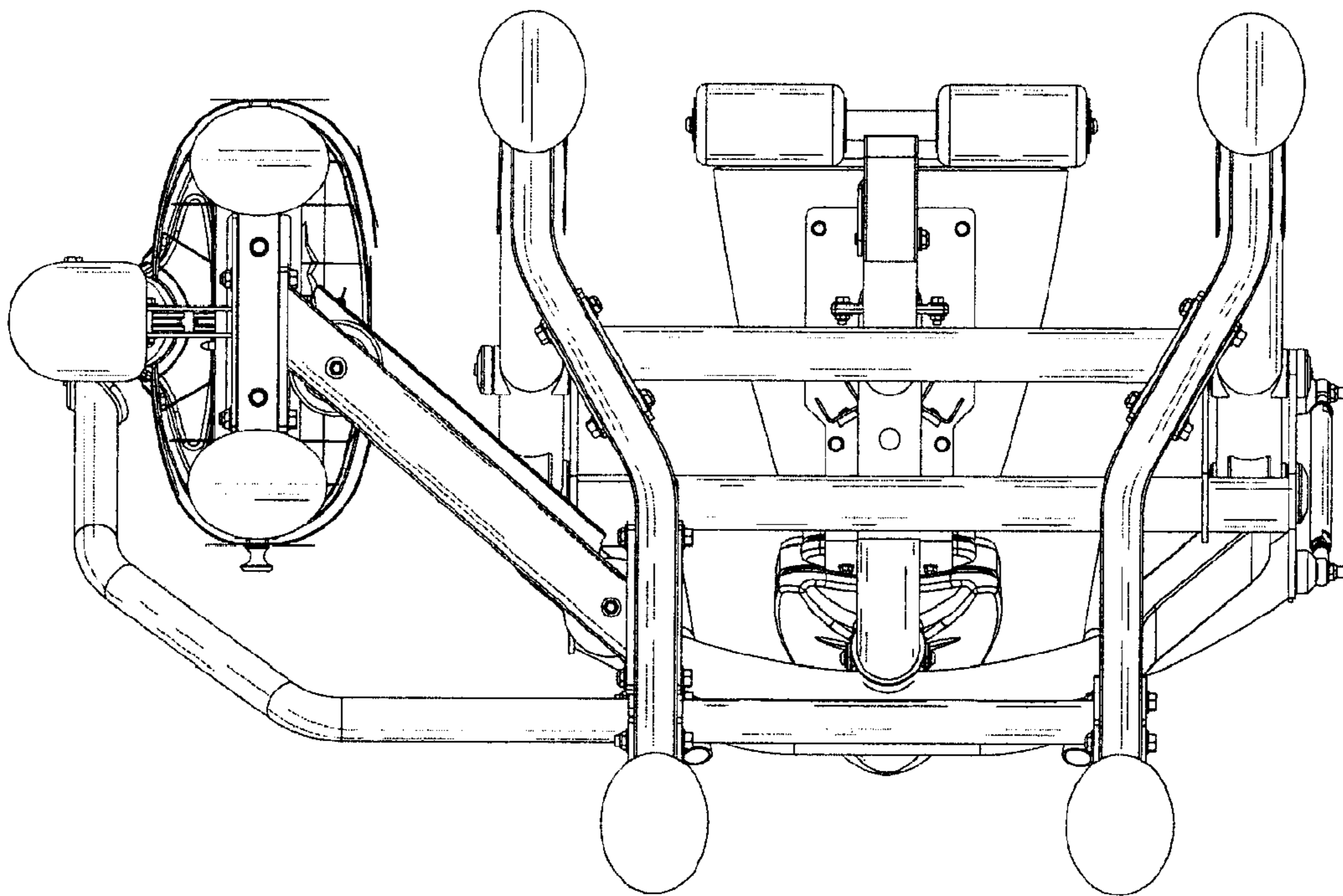


FIG. 8