

US00D574448S

(12) **United States Design Patent**
Webber et al.

(10) **Patent No.:** **US D574,448 S**
(45) **Date of Patent:** **** Aug. 5, 2008**

(54) **ABDOMINAL EXERCISE MACHINE**

(75) Inventors: **Randall T. Webber**, La Jolla, CA (US);
Bruce Hockridge, San Diego, CA (US);
Jeffrey O. Meredith, San Diego, CA
(US)

(73) Assignee: **Hoist Fitness Systems**, San Diego, CA
(US)

(**) Term: **14 Years**

(21) Appl. No.: **29/279,972**

(22) Filed: **May 11, 2007**

(51) **LOC (8) Cl.** **21-02**

(52) **U.S. Cl.** **D21/673**

(58) **Field of Classification Search** D21/662,
D21/673, 675, 676, 686, 687, 690; 482/93,
482/94, 95, 96, 97, 98, 99, 100, 133, 135,
482/140

See application file for complete search history.

(56) **References Cited**

U.S. PATENT DOCUMENTS

4,387,893	A	6/1983	Baldwin	
5,300,005	A *	4/1994	Wang	482/142
D390,290	S *	2/1998	Van Der Hoeven et al.	D21/676
5,769,766	A *	6/1998	Huang	482/140
D408,875	S *	4/1999	Anderson	D21/676
6,168,557	B1 *	1/2001	Liao	482/140
6,186,926	B1 *	2/2001	Ellis	482/97
6,544,154	B2 *	4/2003	Forcillo	482/142
6,884,203	B2 *	4/2005	Forcillo	482/142
6,966,872	B2 *	11/2005	Eschenbach	482/142
2006/0211549	A1	9/2006	Nohejl	

OTHER PUBLICATIONS

ABCORE Abdominal Free Weight Training Machine, Advertisement, Club Business Magazine, Mar. 2007.
Abdominal Exercise Machine, NAUTILUS, Brochure, 1997.
712 Abdominal Isolator, ICARIAN Brochure, date unknown.
F609 Abdominal Machine and F611 Abflexor, Flex Fitness Brochure, 2002.
Power Crunch 1500, QUANTUM Brochure, 2004.
07008 Abdominal Machine, GYM 80 Brochure, 2001.
Abdominal Multi-Joint Machine, GYM 80 Brochure, 2001.
03008 and 03009 Abdominal Machines, GYM 80 Brochure, date unknown.
U.S. Design Appl. No. 29/279,975 of Webber et al., filed May 11, 2007, unpublished.

* cited by examiner

Primary Examiner—Philip Hyder

(74) *Attorney, Agent, or Firm*—Procopio, Cory, Hargreaves & Savitch LLP

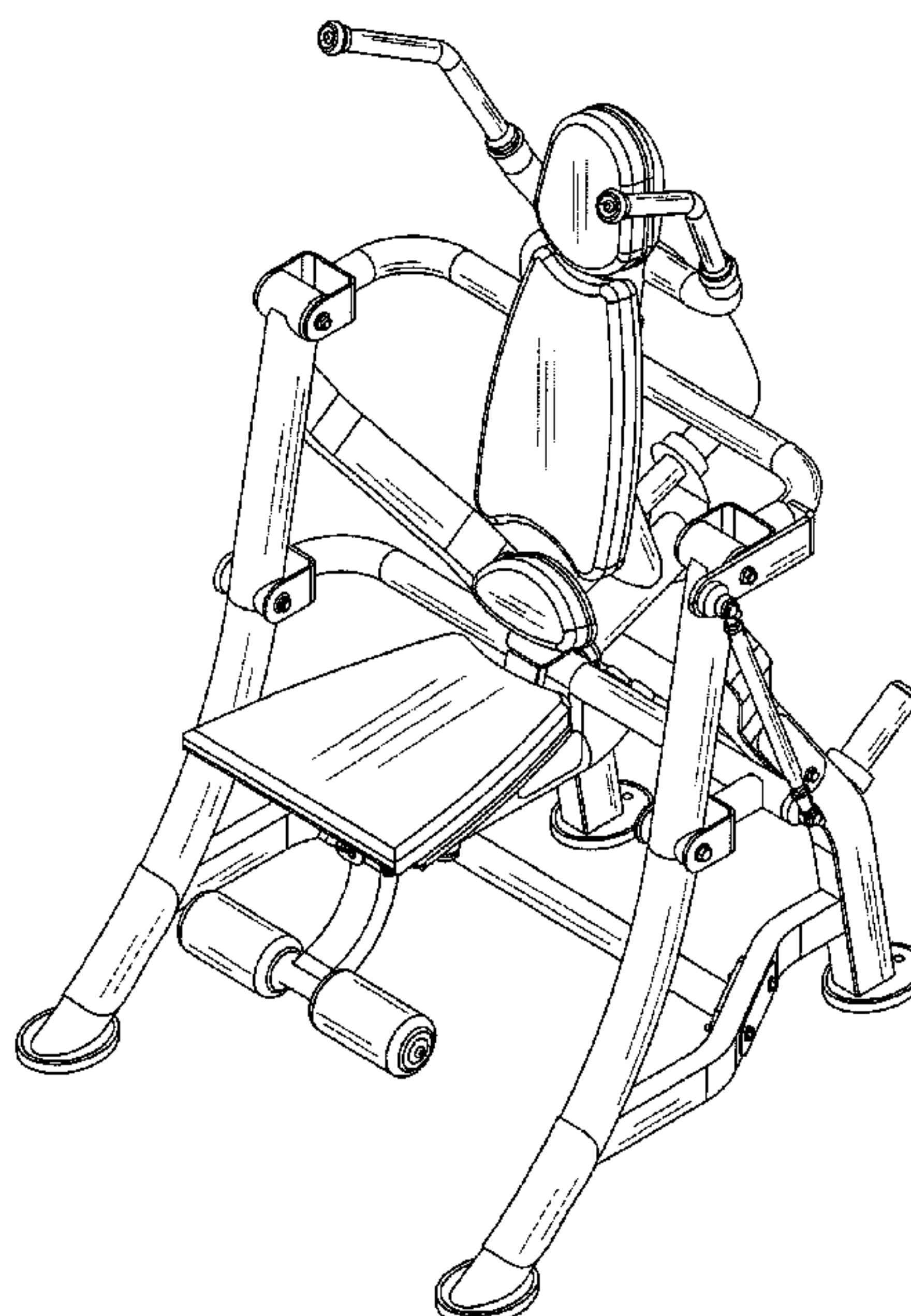
(57) **CLAIM**

The ornamental design for an abdominal exercise machine, as shown and described.

DESCRIPTION

FIG. 1 is a front perspective view of an abdominal exercise machine, showing our new design;
FIG. 2 is a rear perspective view thereof;
FIG. 3 is a front elevation view thereof;
FIG. 4 is a rear elevation view thereof;
FIG. 5 is a right side elevation view thereof;
FIG. 6 is a left side elevation view thereof;
FIG. 7 is a top plan view thereof; and,
FIG. 8 is a bottom plan view thereof.

1 Claim, 7 Drawing Sheets



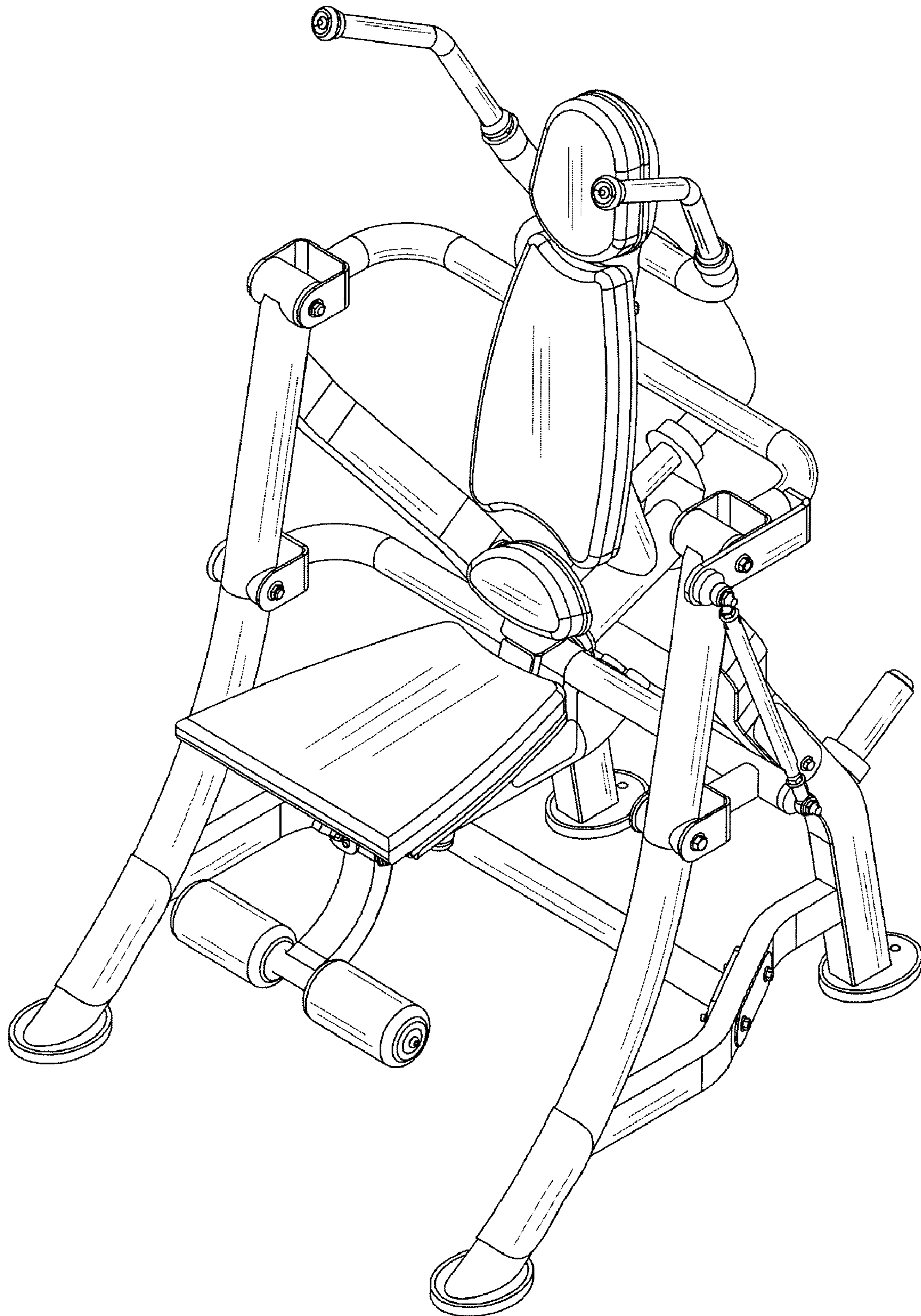


FIG. 1

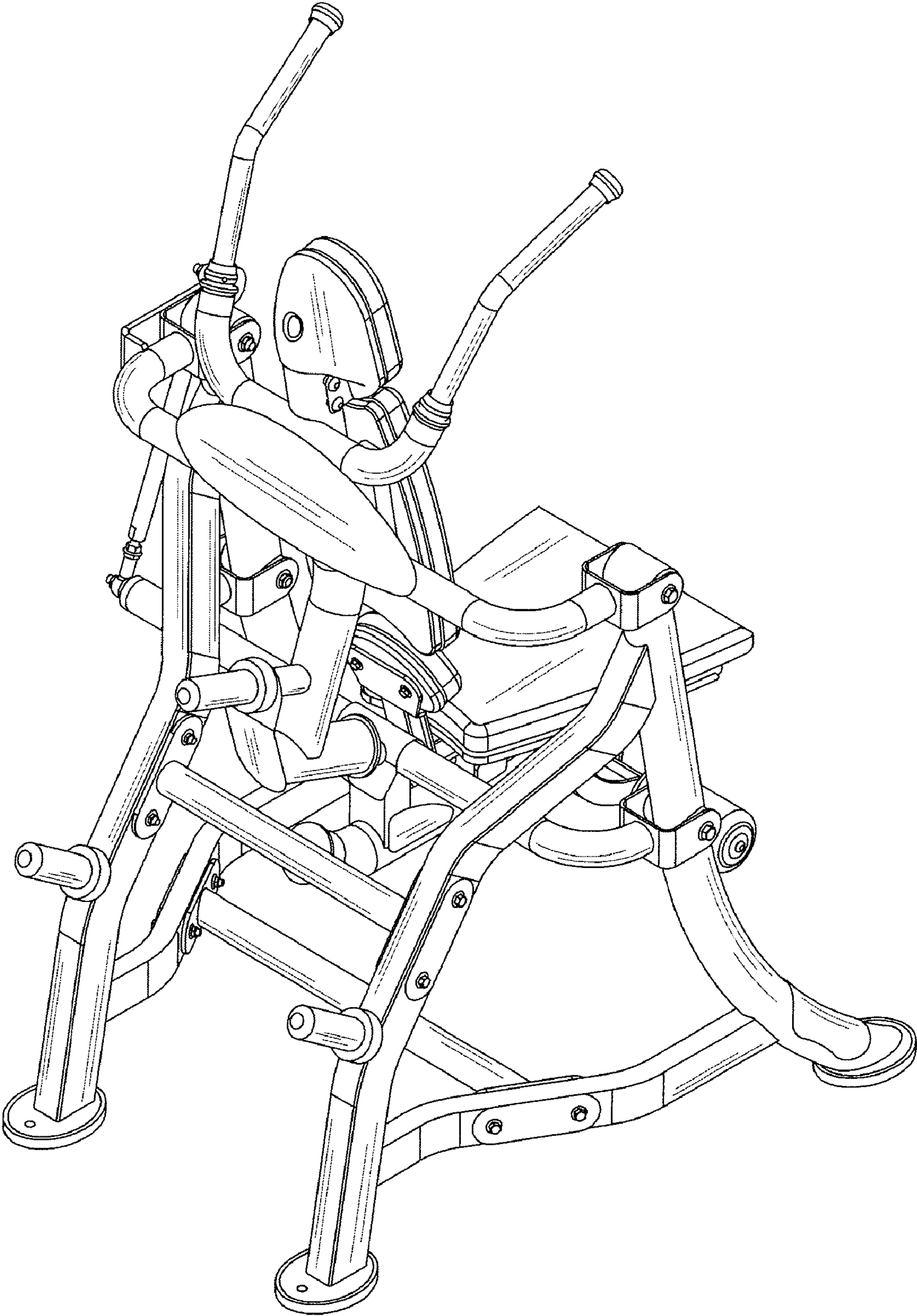


FIG. 2

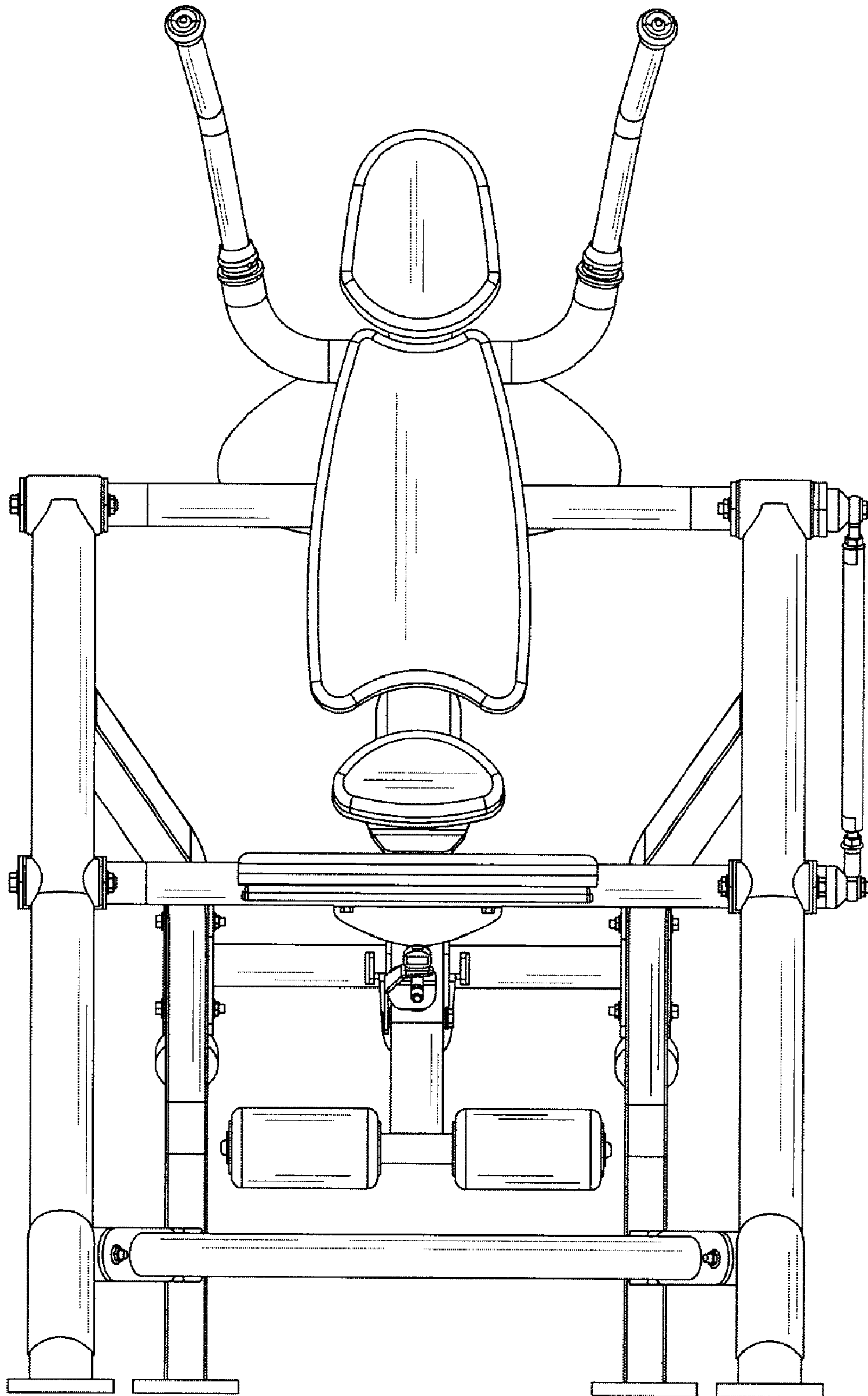


FIG. 3

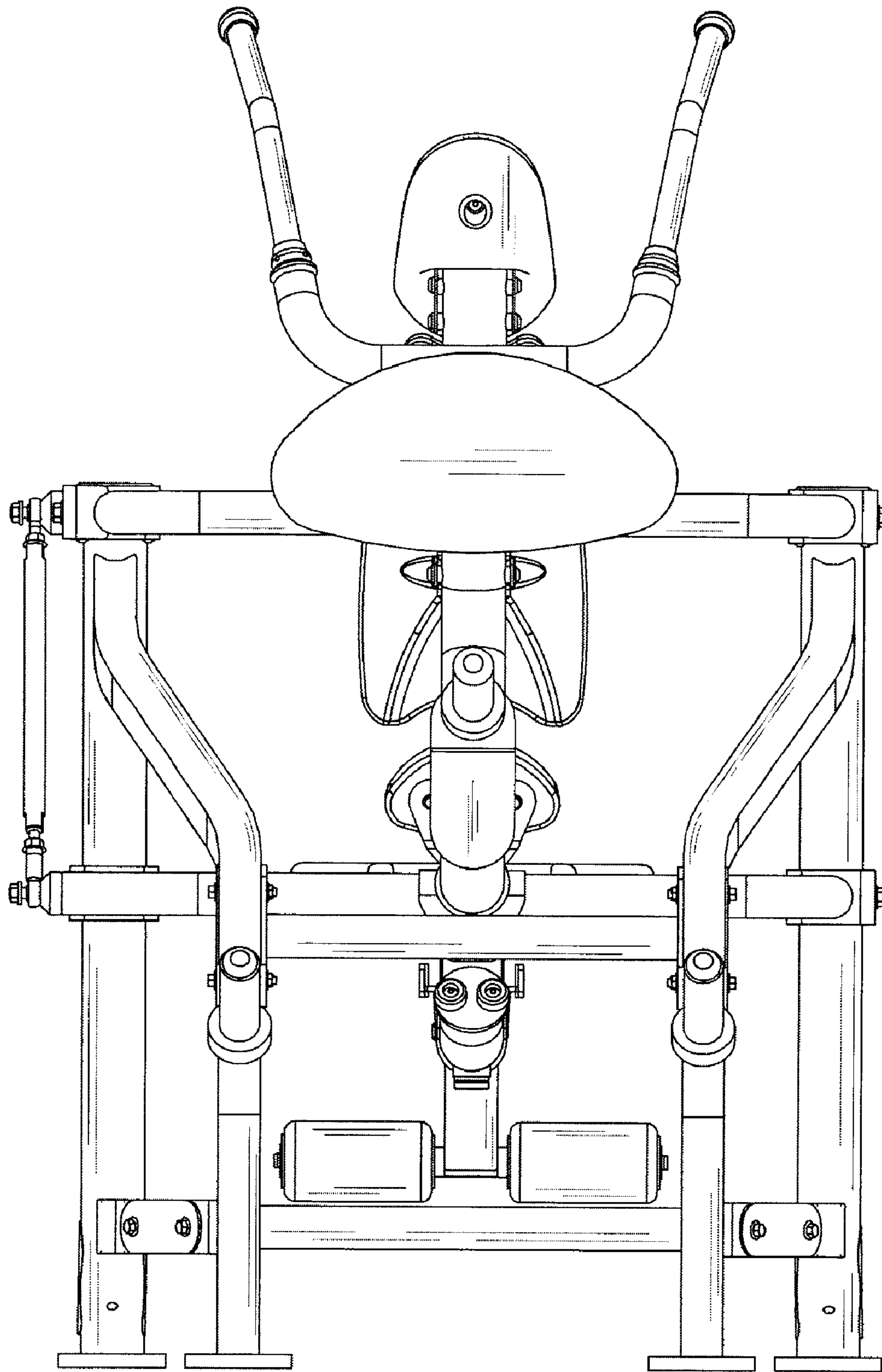


FIG. 4

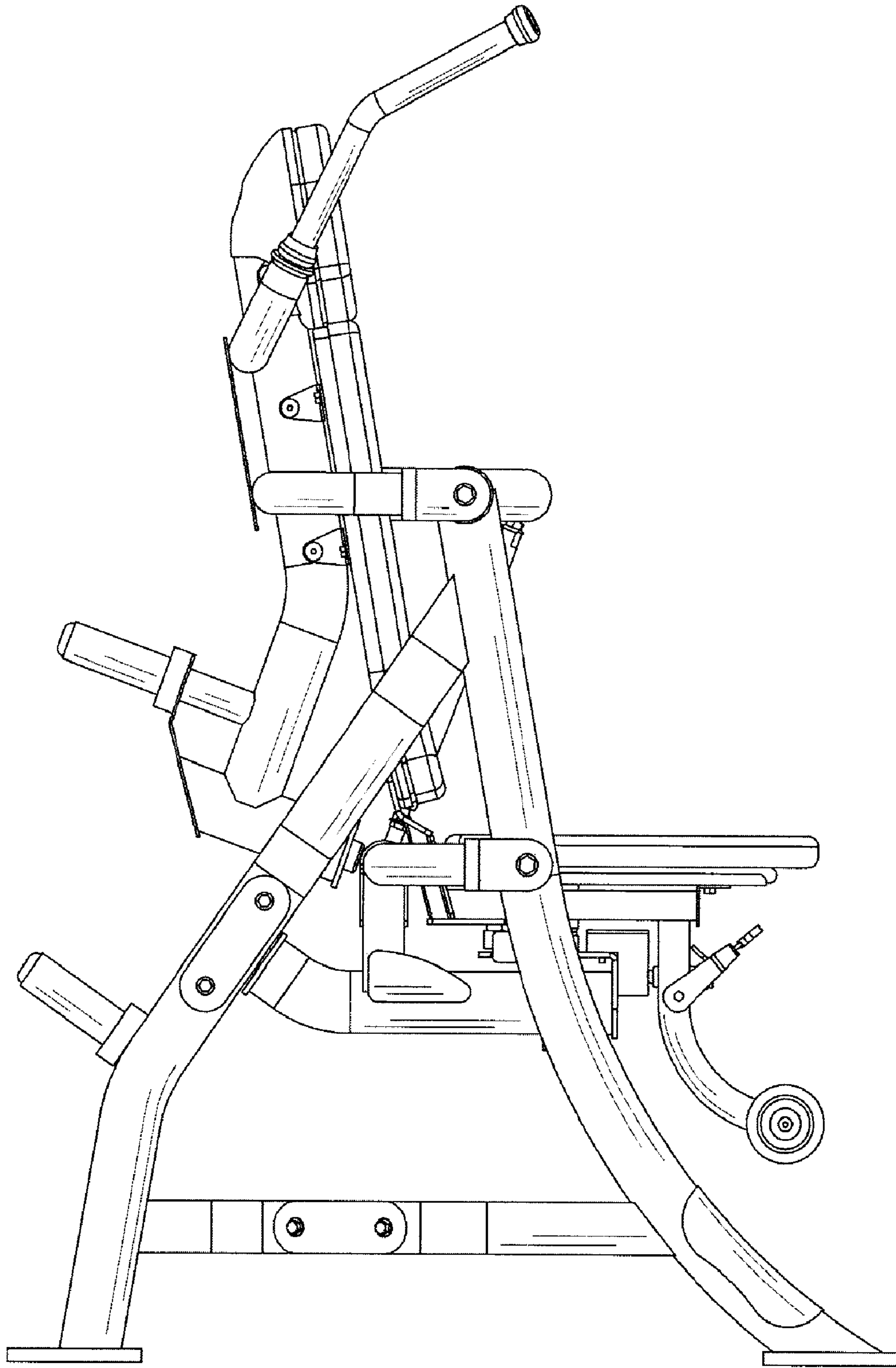


FIG. 5

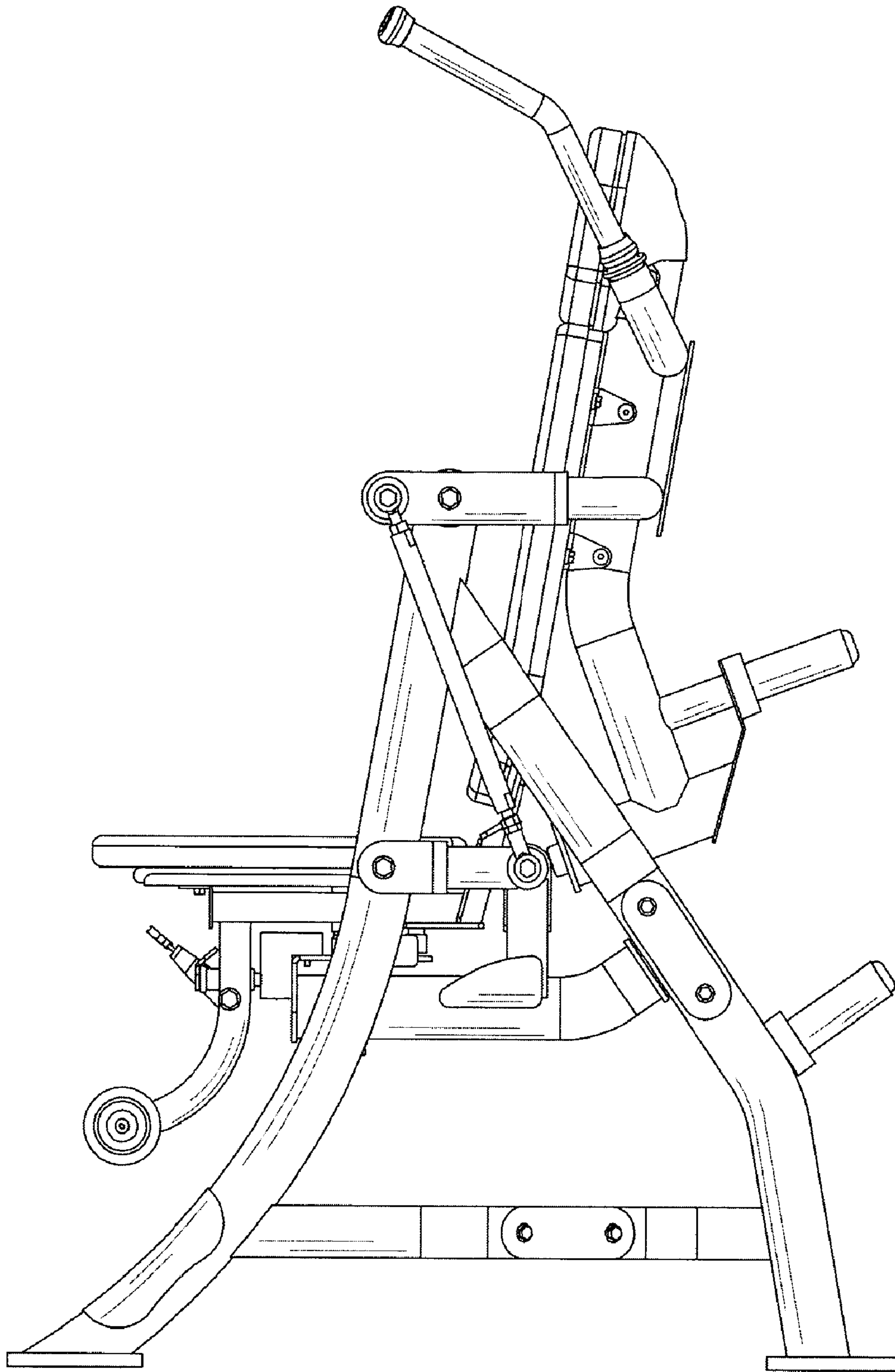


FIG. 6

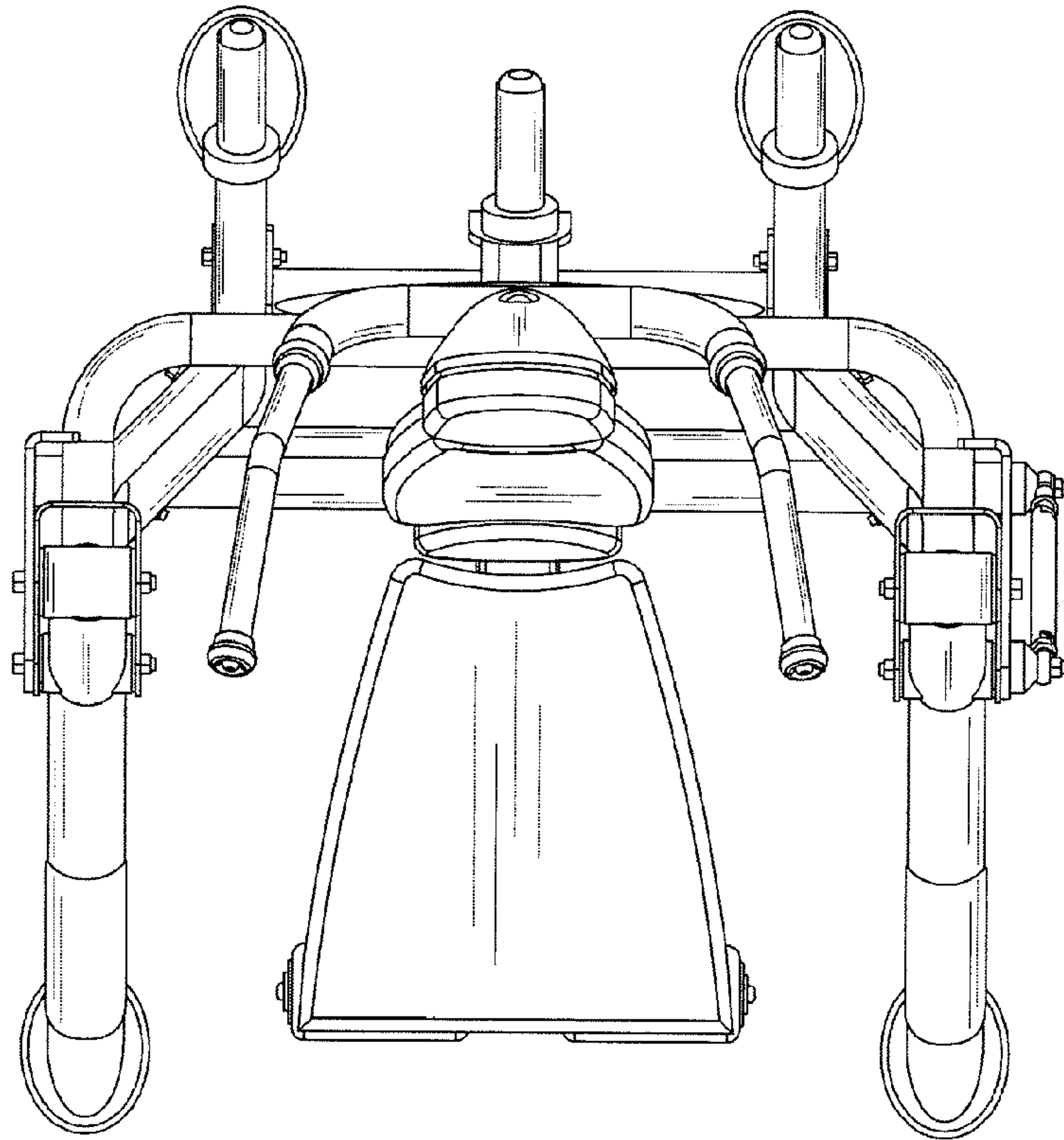


FIG. 7

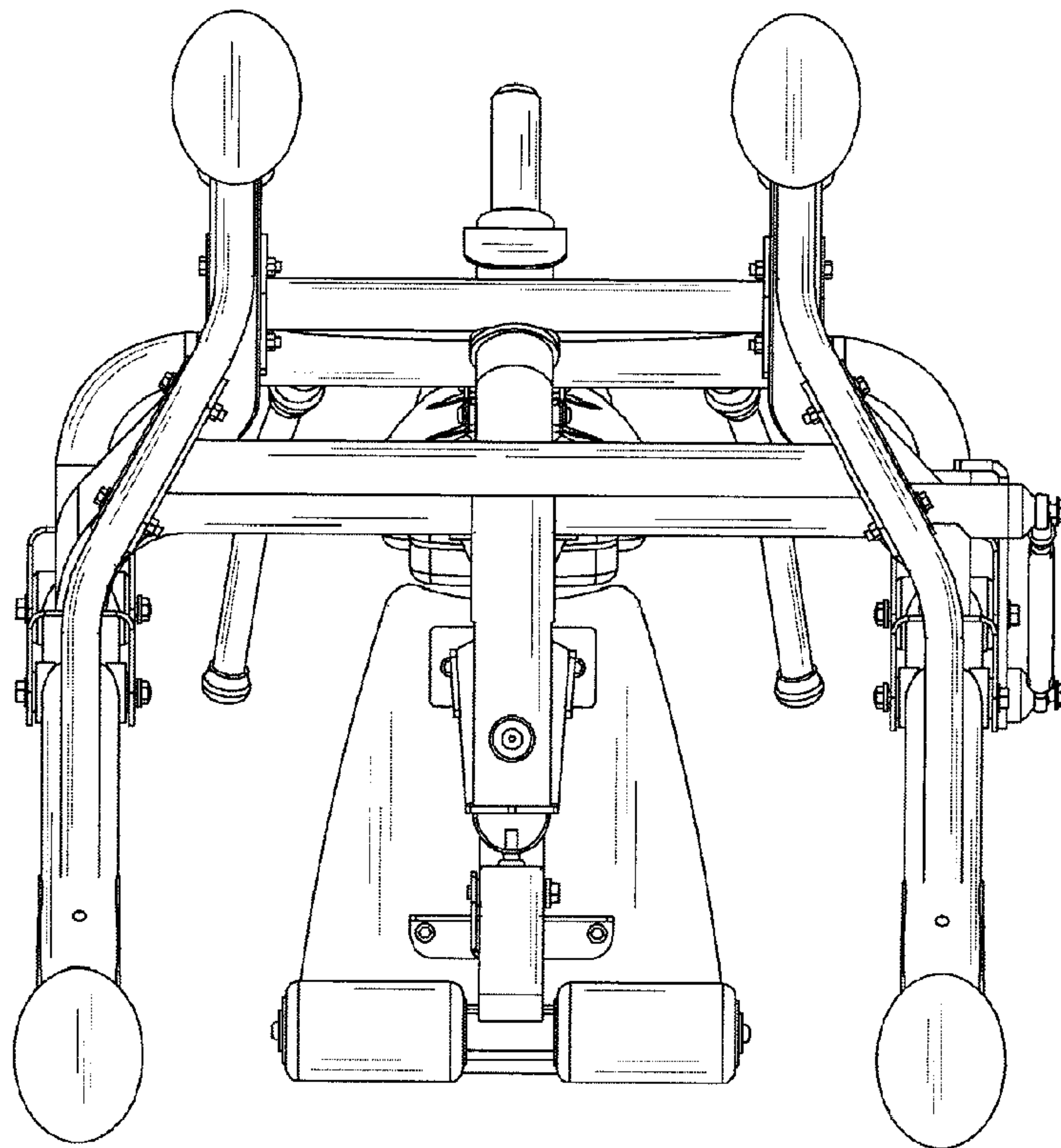


FIG. 8