



US00D574442S

(12) **United States Design Patent**
Higuchi

(10) **Patent No.:** **US D574,442 S**
(45) **Date of Patent:** **** Aug. 5, 2008**

(54) **HANDHELD LAUNCHER FOR LAUNCHING
A TOY WHEEL**

(75) Inventor: **Terence Higuchi**, Redondo Beach, CA
(US)

(73) Assignee: **Jakes Pacific, Inc.**, Malibu, CA (US)

(**) Term: **14 Years**

(21) Appl. No.: **29/241,247**

(22) Filed: **Oct. 24, 2005**

(51) **LOC (8) Cl.** **21-01**

(52) **U.S. Cl.** **D21/454**

(58) **Field of Classification Search** D21/301,
D21/320, 324, 333, 398, 436-455, 458, 461,
D21/564-566; D14/411-416, 388, 418;
446/36-48, 57-60, 236-266, 429, 430, 435;
124/4-9, 26, 79, 31, 41.1, 42, 43, 81
See application file for complete search history.

(56) **References Cited**

U.S. PATENT DOCUMENTS

| | | | | |
|---------------|---------|------------------|-------|---------|
| D187,661 S * | 4/1960 | McDermott | | D21/385 |
| 3,293,793 A * | 12/1966 | Thomas, Jr. | | 446/65 |
| 3,473,256 A * | 10/1969 | Tyler | | 446/38 |
| D224,250 S * | 7/1972 | Crain et al. | | D21/454 |
| 3,701,216 A * | 10/1972 | Smith et al. | | 446/429 |
| 4,959,035 A * | 9/1990 | Murasaki | | 446/40 |
| D342,551 S * | 12/1993 | D'Andrade et al. | | D21/447 |
| 5,362,065 A * | 11/1994 | Su | | 473/511 |
| 5,545,068 A * | 8/1996 | Asbaghi | | 446/39 |

| | | | | |
|-------------------|---------|------------------|-------|---------|
| 5,970,970 A * | 10/1999 | Vanek et al. | | 124/16 |
| D436,108 S * | 1/2001 | Lee | | D14/418 |
| 2003/0199222 A1 * | 10/2003 | Matsukawa et al. | | 446/256 |
| 2004/0248497 A1 * | 12/2004 | Poesch et al. | | 446/61 |

* cited by examiner

Primary Examiner—Catherine Tuttle

(74) *Attorney, Agent, or Firm*—Tope-McKay & Associates

(57) **CLAIM**

The ornamental design for a handheld launcher for launching a toy wheel, as shown and described.

DESCRIPTION

FIG. 1 is a top, right and rear perspective view of a handheld launcher for launching a toy wheel, showing our new design with associated toy wheel and rip cord in broken lines;

FIG. 2 is a perspective view showing the design without the broken lines;

FIG. 3 is a front view thereof;

FIG. 4 is a top view thereof;

FIG. 5 is a bottom view thereof;

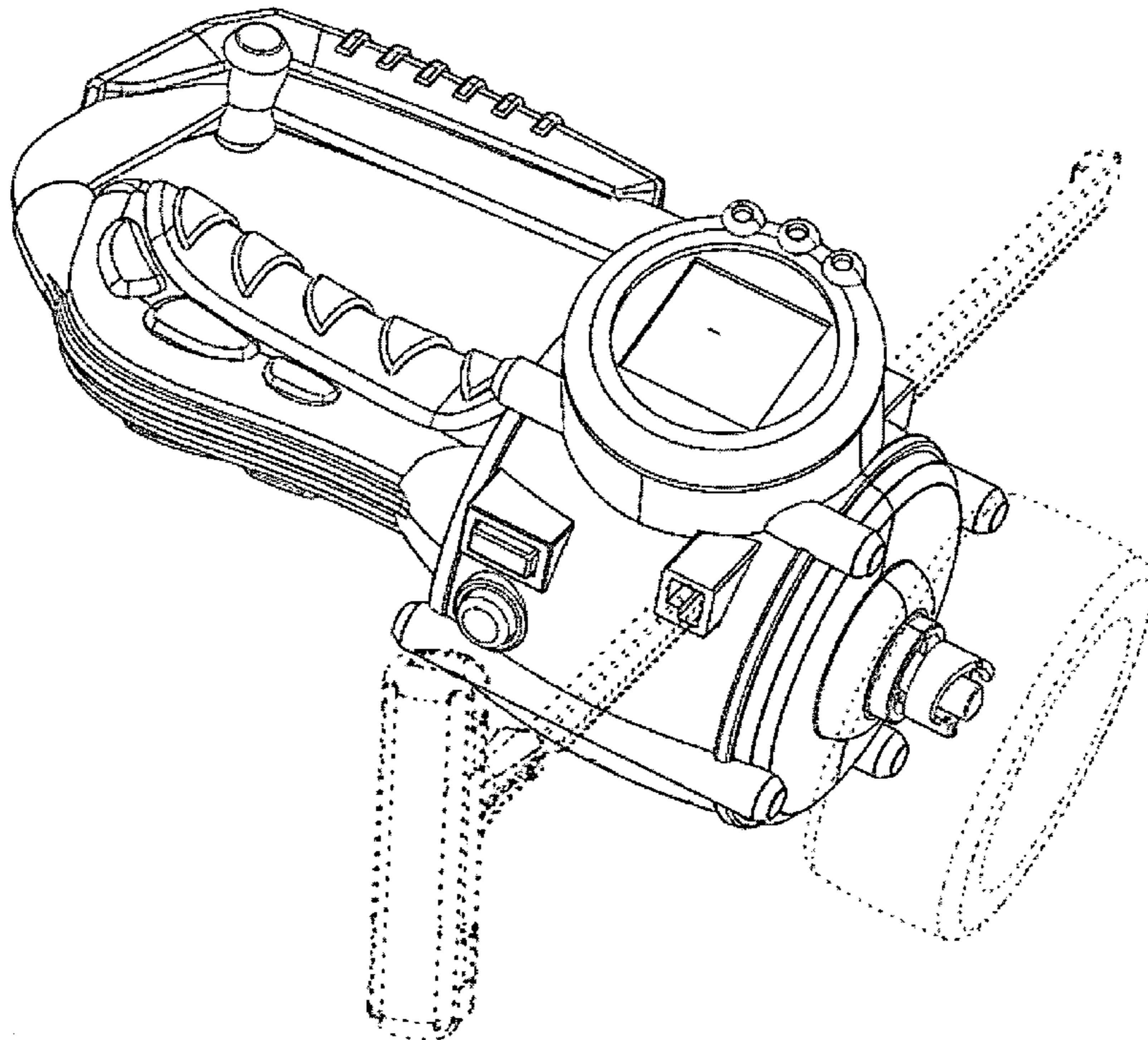
FIG. 6 is a right side view thereof;

FIG. 7 is a left side view thereof; and,

FIG. 8 is a back view thereof.

The broken lines showing the wheel and rip cord in FIG. 1 are included for the purpose of illustrating environmental structure and form no part of the claimed design.

1 Claim, 8 Drawing Sheets



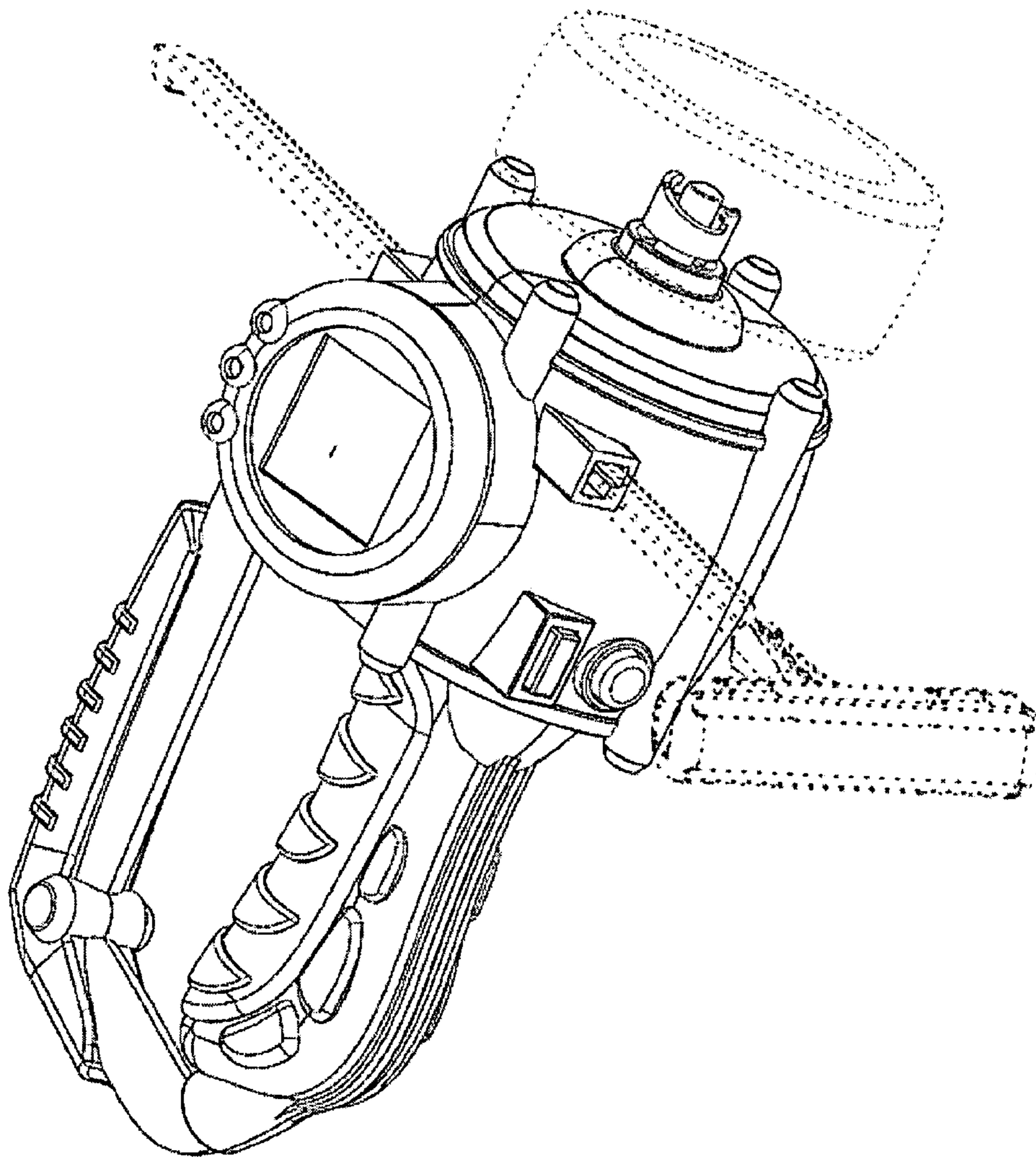


FIG. 1

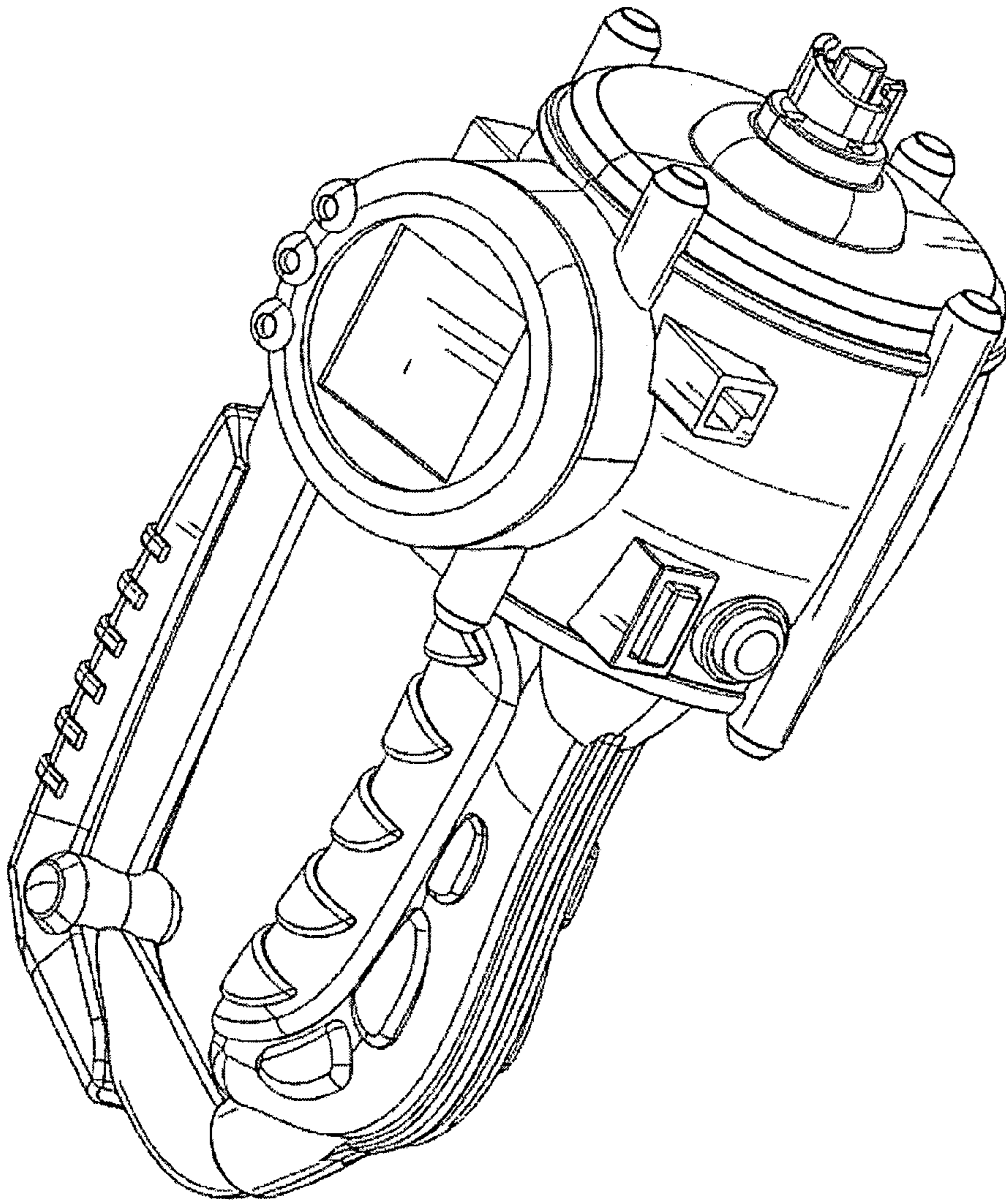


FIG. 2

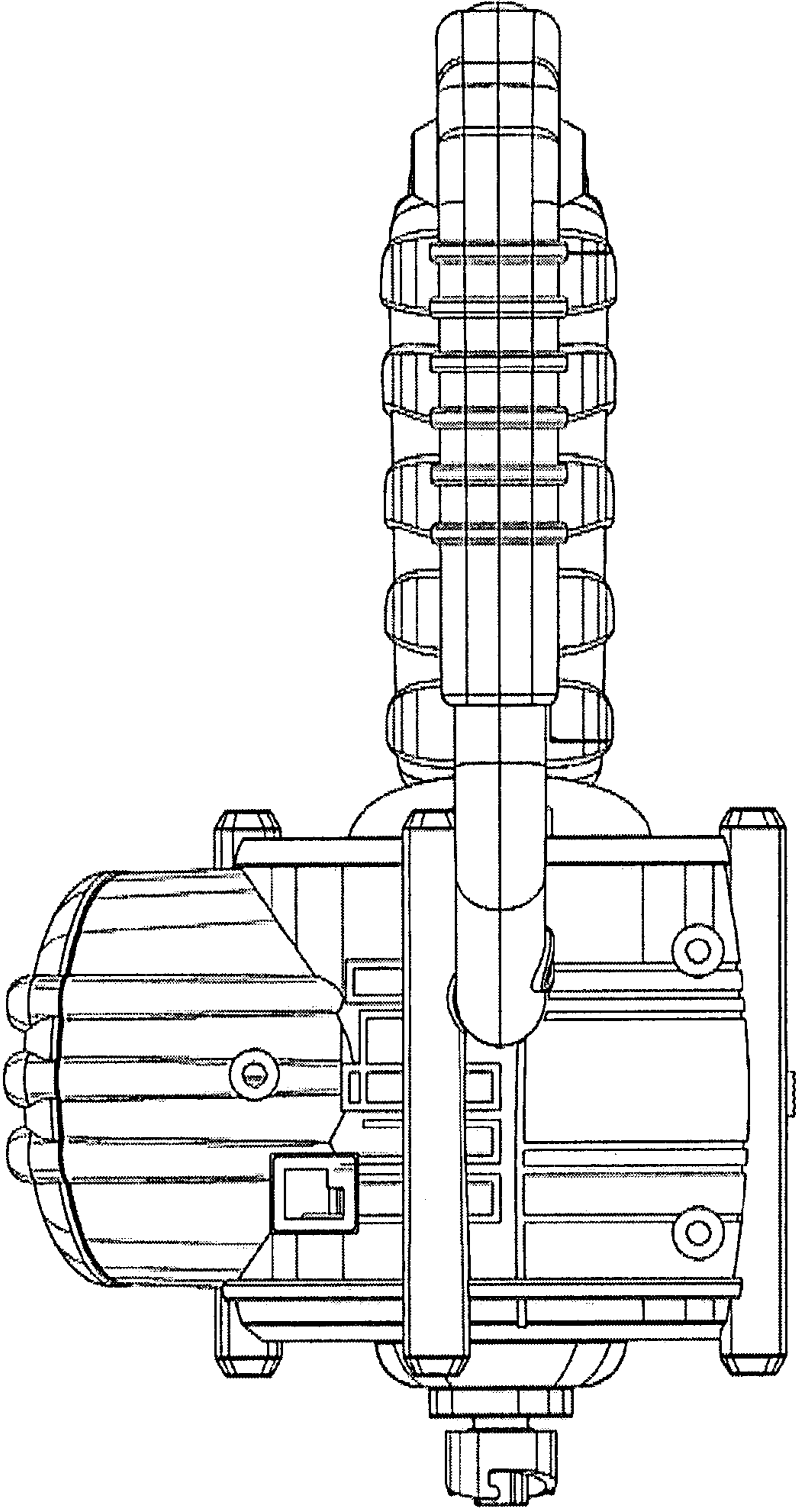


FIG. 3

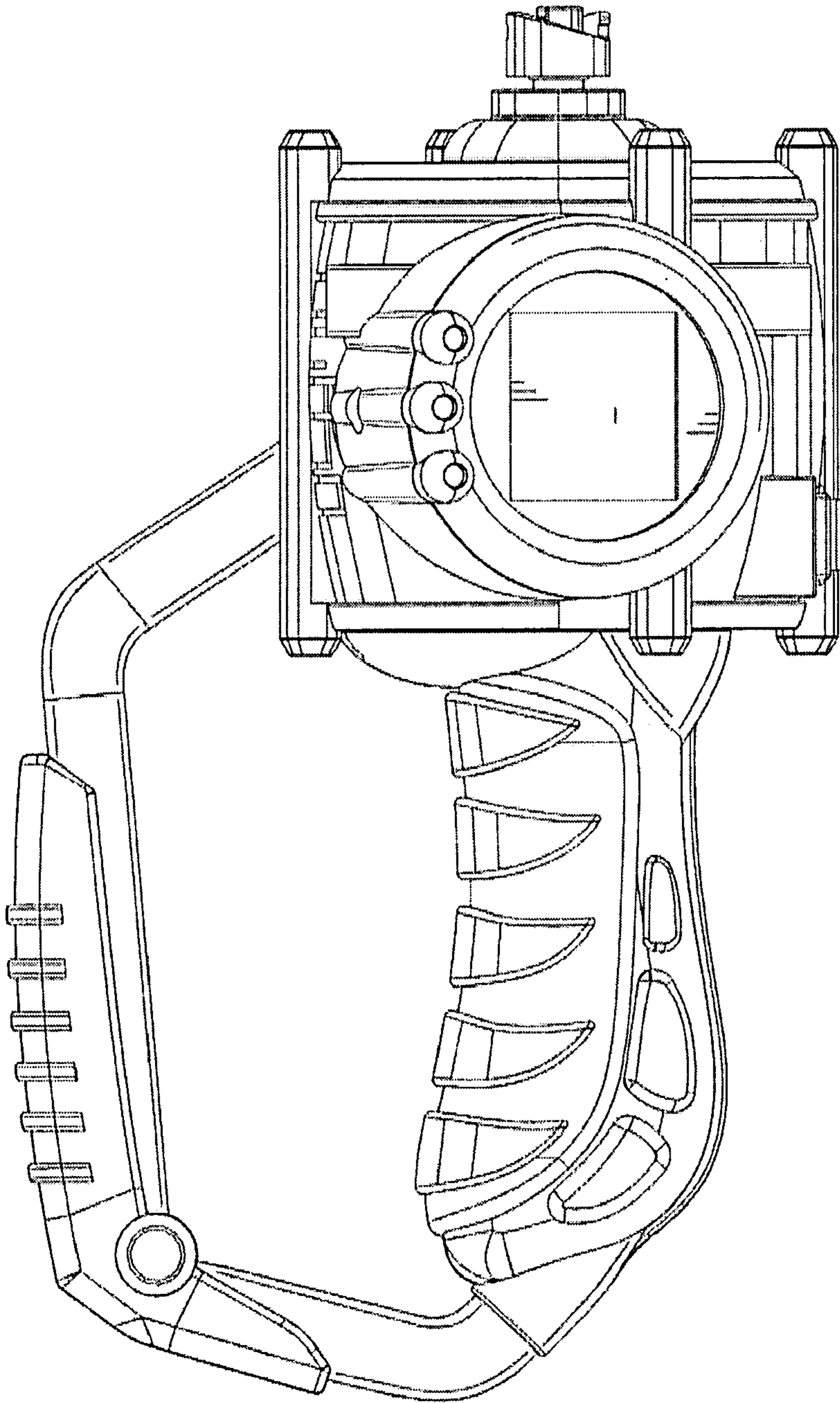


FIG. 4

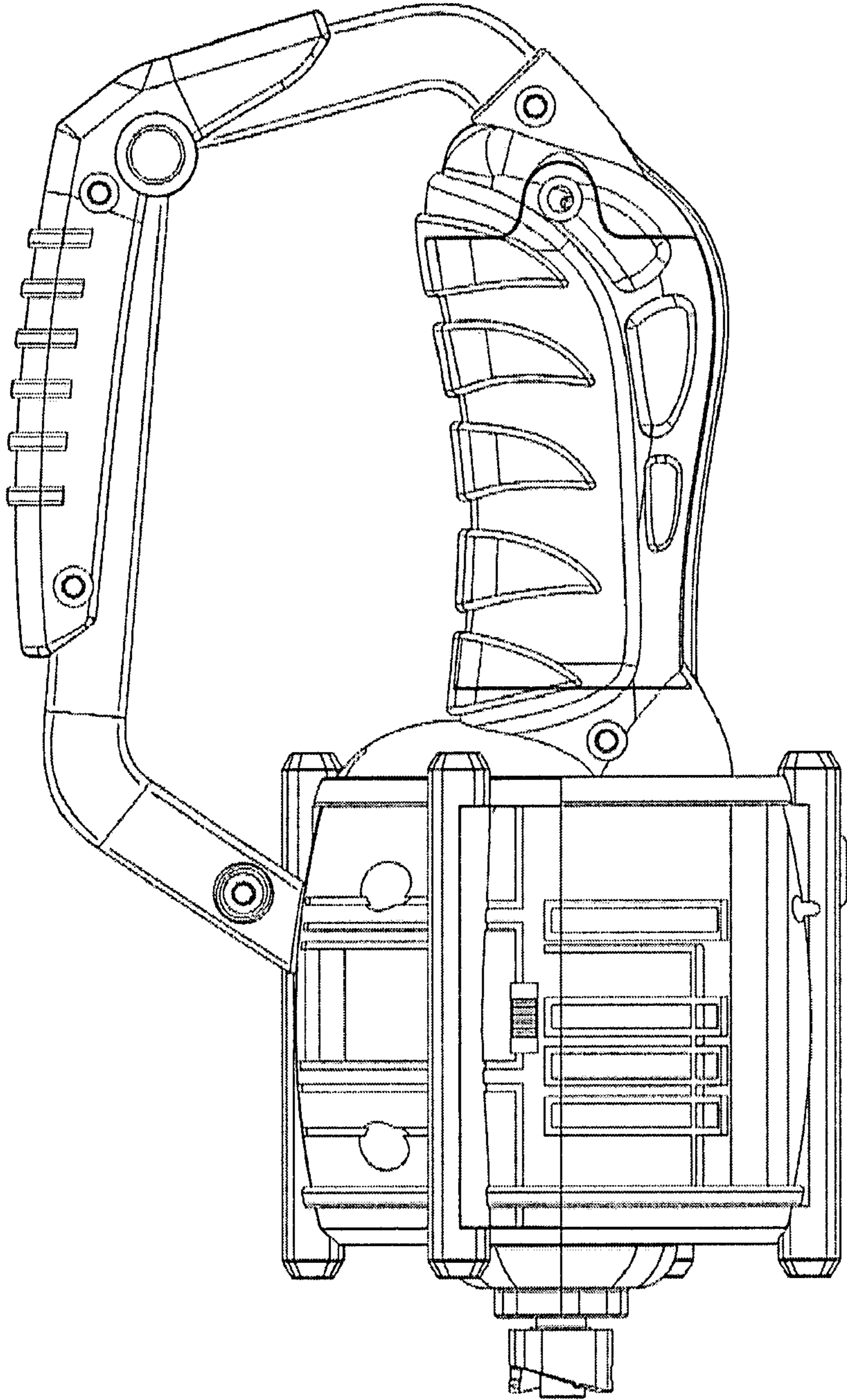


FIG. 5

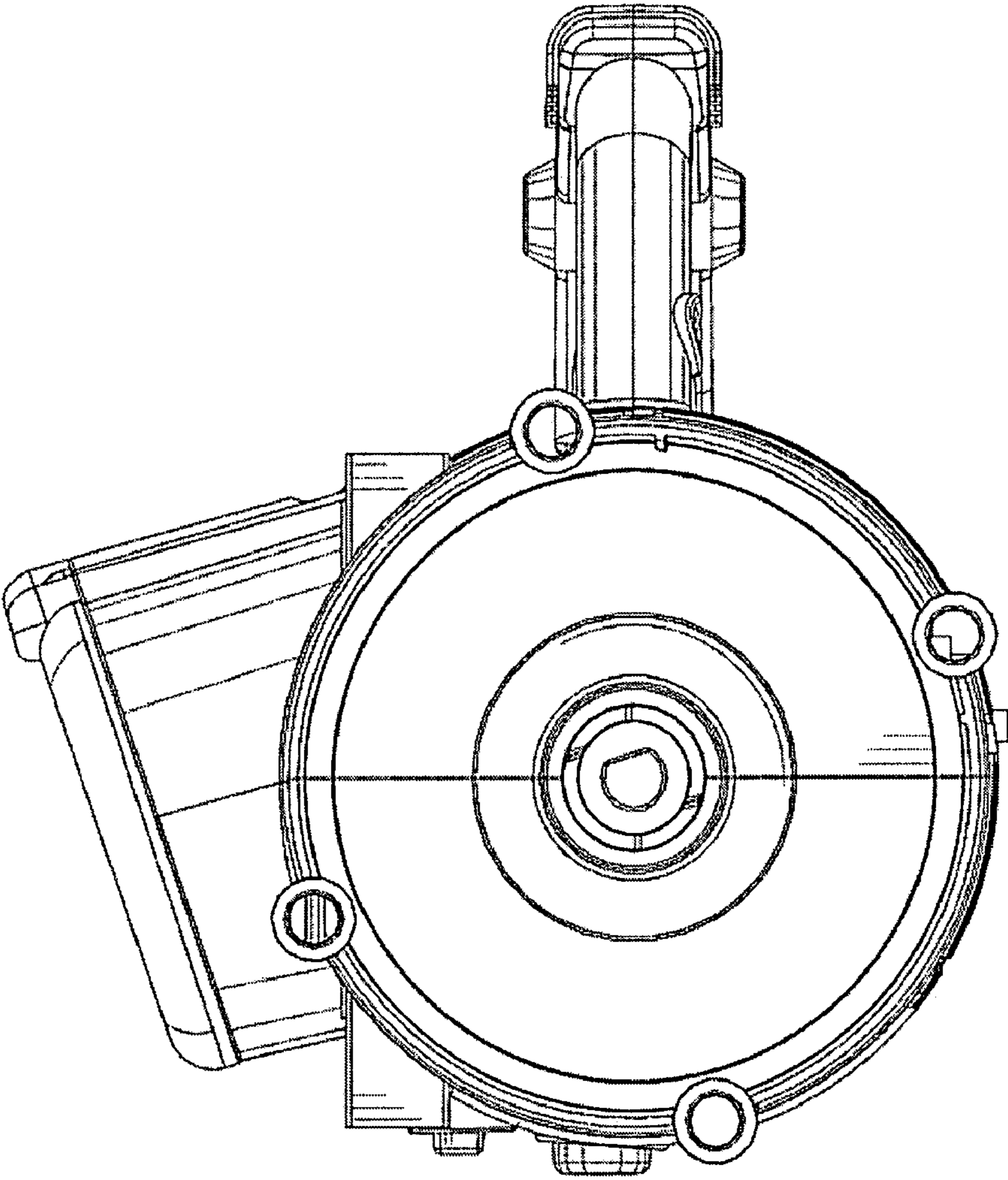


FIG. 6

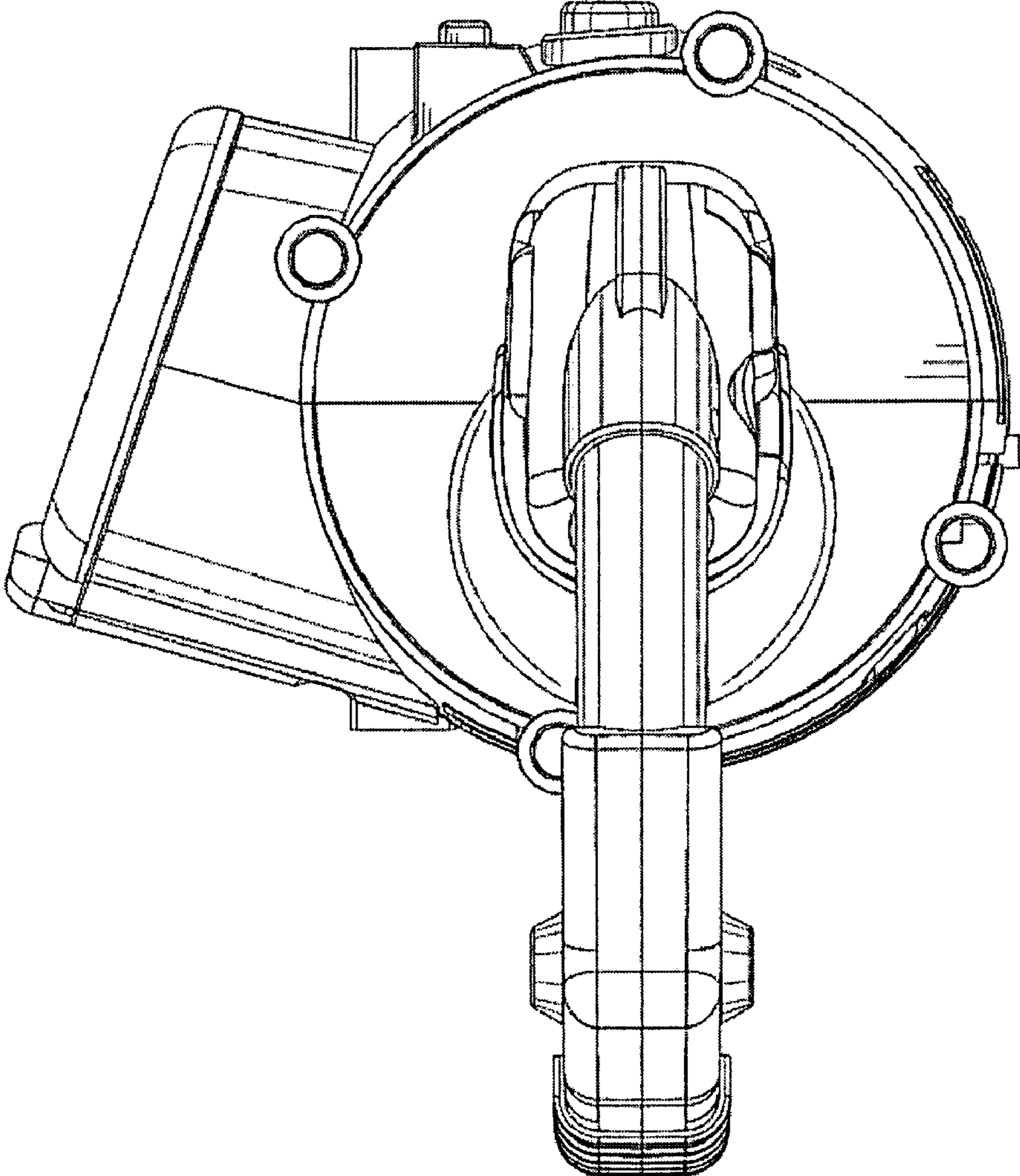


FIG. 7

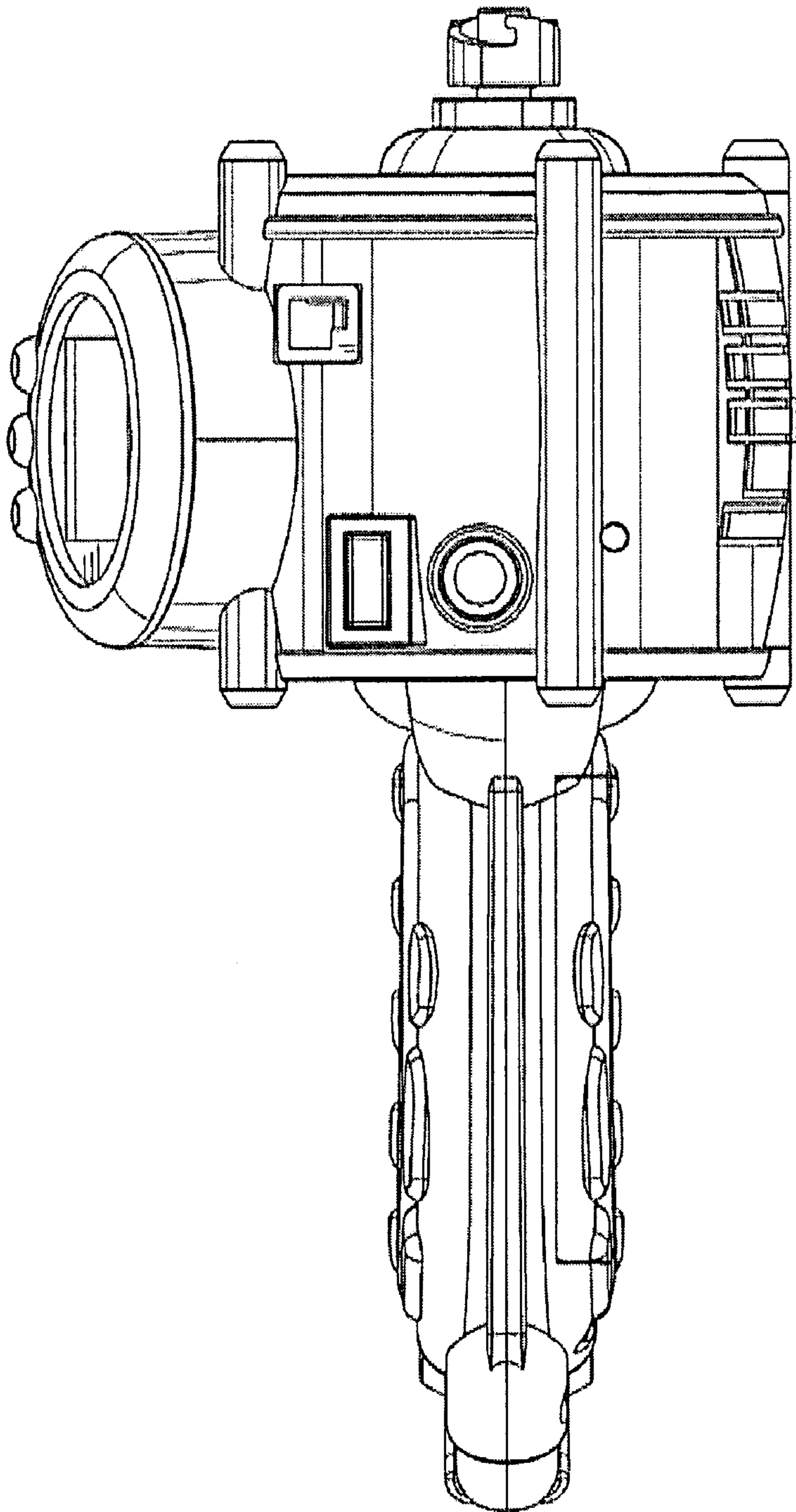


FIG. 8