



US00D574438S

(12) **United States Design Patent**
Mori

(10) **Patent No.:** **US D574,438 S**

(45) **Date of Patent:** **** Aug. 5, 2008**

(54) **LCD TAG FOR DISPLAY SHELF**

(75) Inventor: **Tatsuo Mori**, Nara (JP)

(73) Assignee: **Sharp Kabushiki Kaisha**, Osaka (JP)

(**) Term: **14 Years**

(21) Appl. No.: **29/274,804**

(22) Filed: **May 25, 2007**

(30) **Foreign Application Priority Data**

Nov. 30, 2006 (JP) 2006-032922

(51) **LOC (8) Cl.** **19-08**

(52) **U.S. Cl.** **D20/22; D20/27; D20/42**

(58) **Field of Classification Search** D20/10,
D20/13, 15, 19, 20, 22, 27, 42, 43, 99; 40/1.5,
40/1.6, 6, 124.01, 299.01, 538, 584, 607.11,
40/625, 626, 628, 629, 661, 662; D10/104,
D10/106, 109; D14/126, 341, 371; D34/27;
283/56; 235/383, 385; 340/5.91; 705/20

See application file for complete search history.

(56) **References Cited**

U.S. PATENT DOCUMENTS

5,111,196 A * 5/1992 Hunt 340/5.91

D426,581 S * 6/2000 Gall D20/13
6,269,342 B1 * 7/2001 Brick et al. 705/20
D511,547 S * 11/2005 Andersson et al. D20/43
D542,500 S * 5/2007 Perrier et al. D34/27

* cited by examiner

Primary Examiner—Caron D. Veynar

Assistant Examiner—Mary Ann Calabrese

(74) *Attorney, Agent, or Firm*—Nixon & Vanderhye, PC

(57) **CLAIM**

The ornamental design for an “LCD tag for display shelf,” as shown and described.

DESCRIPTION

FIG. 1 is a front perspective view of an LCD tag for display shelf in accordance with my new design;

FIG. 2 is a front elevation view thereof;

FIG. 3 is a rear elevation view thereof;

FIG. 4 is a top plan view thereof;

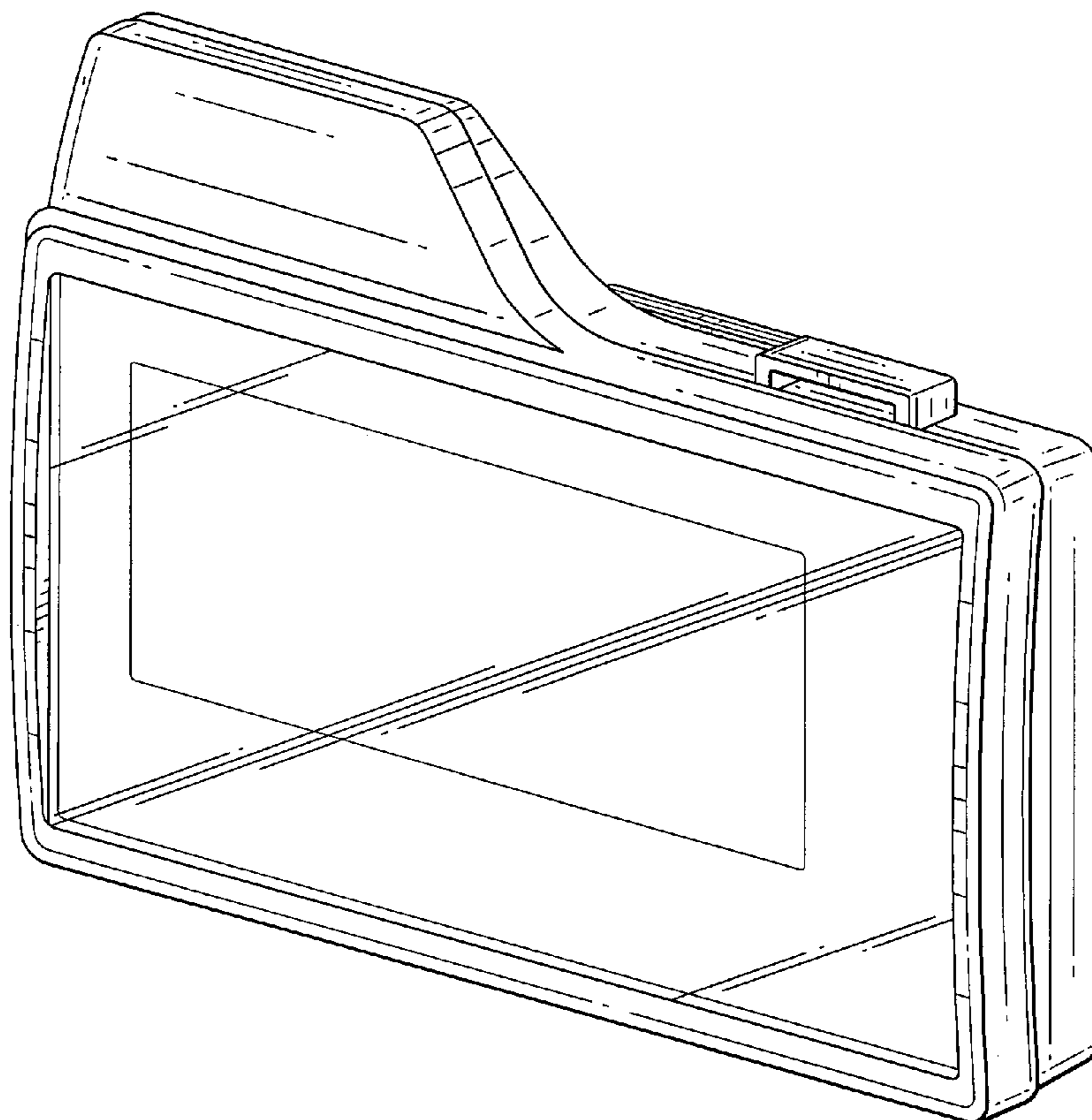
FIG. 5 is a bottom plan view thereof;

FIG. 6 is a right side elevational view thereof;

FIG. 7 is a left side elevational view thereof; and,

FIG. 8 is a rear perspective view thereof.

1 Claim, 4 Drawing Sheets



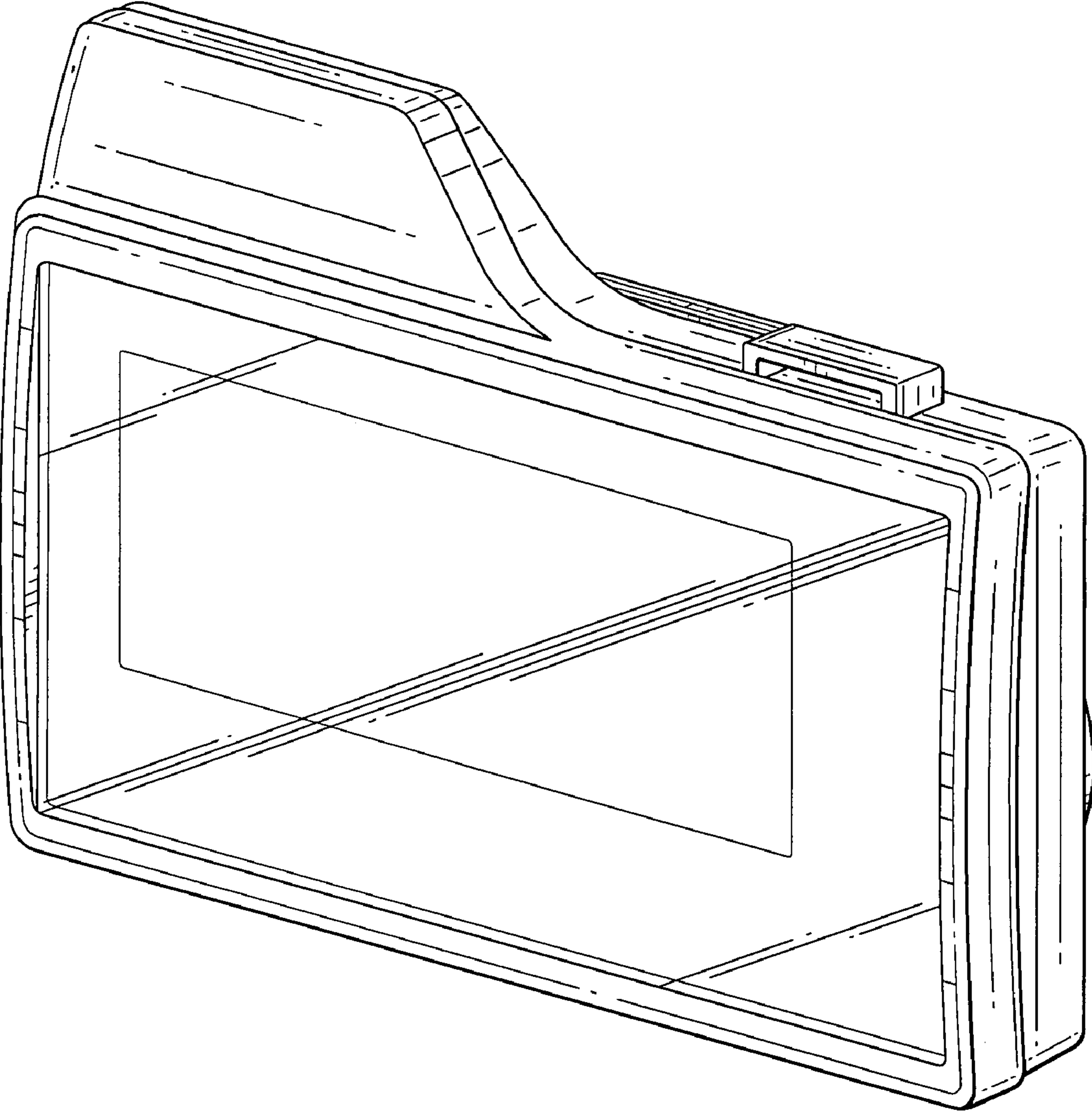


Fig. 1

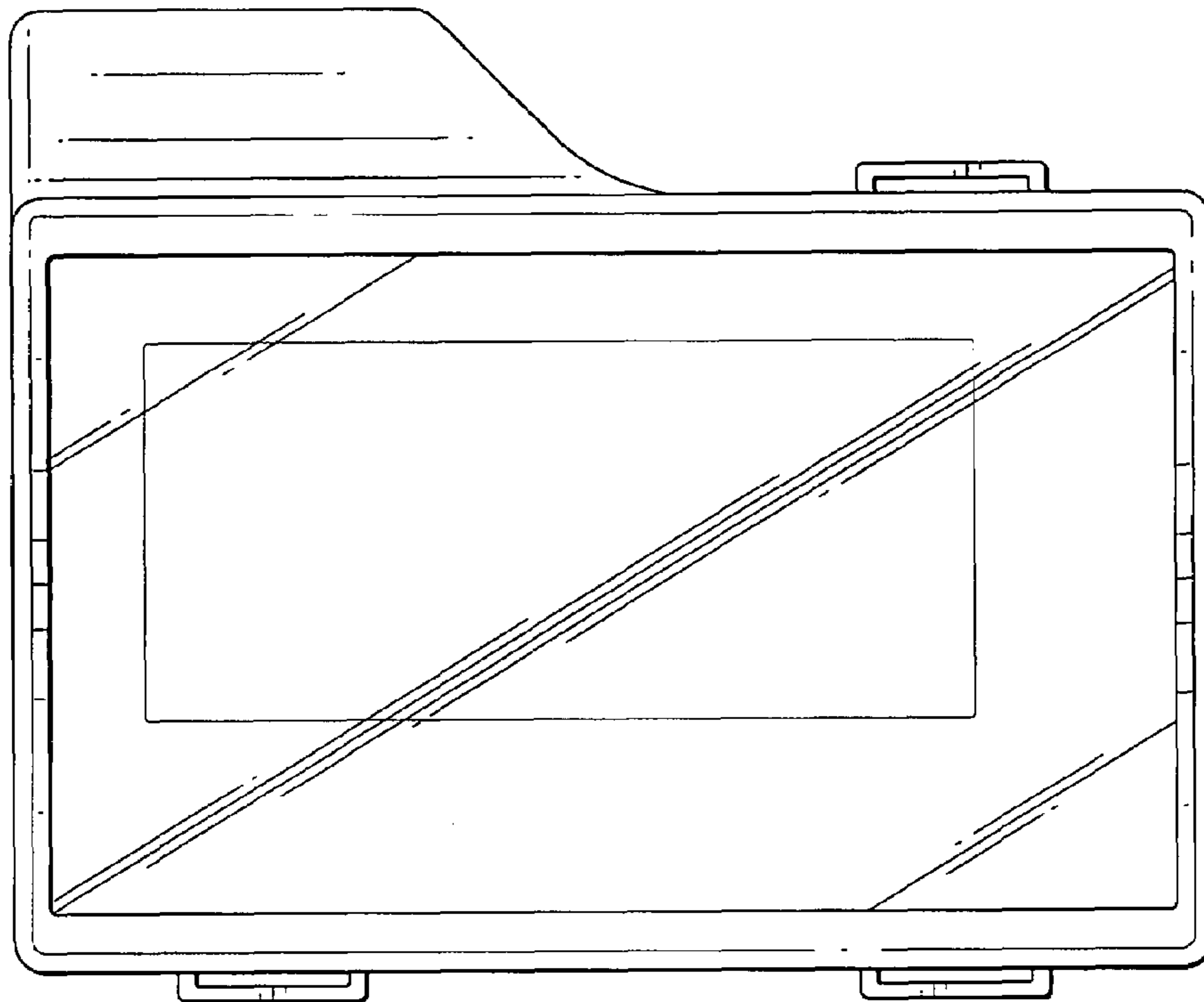


Fig. 2

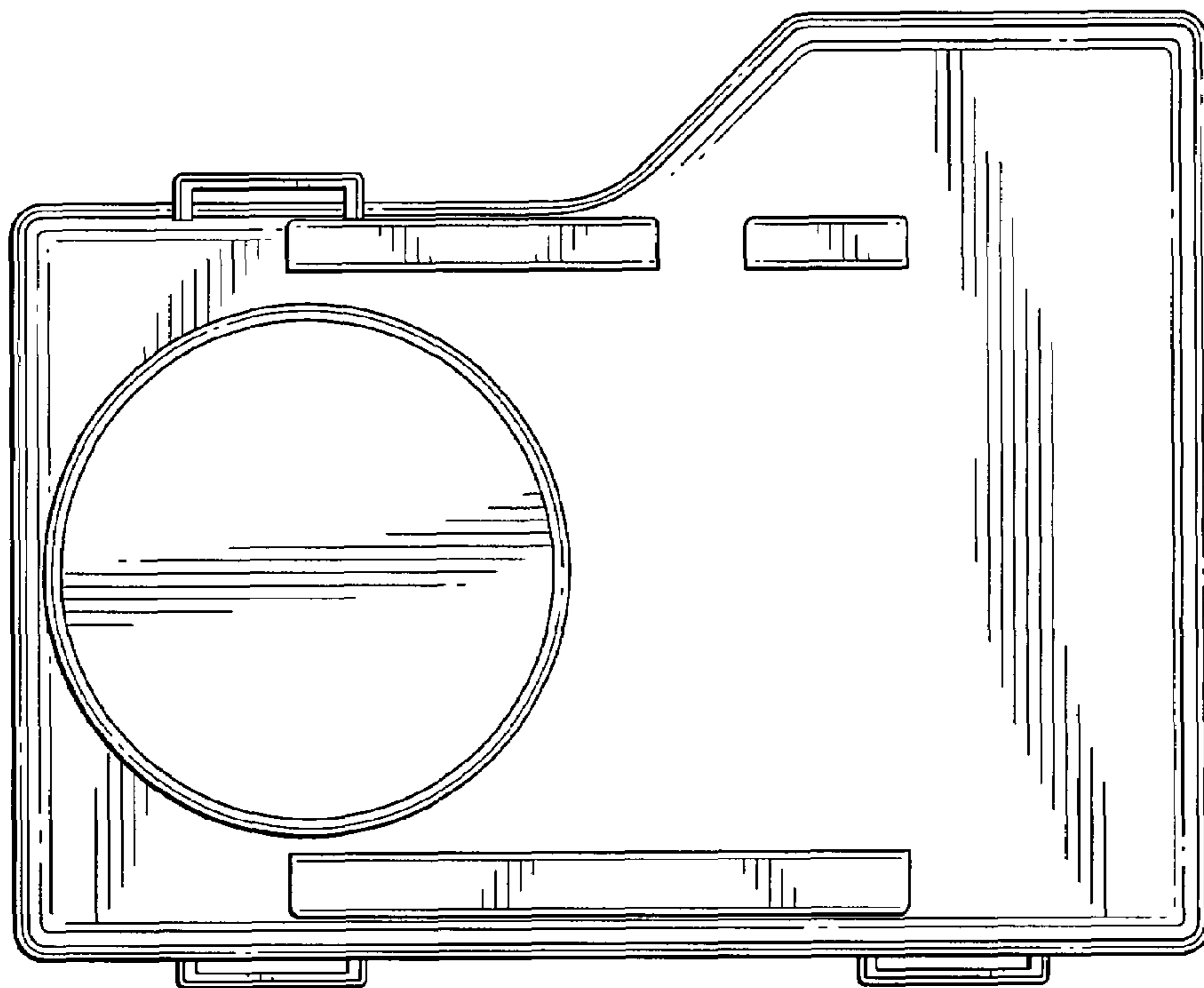


Fig. 3

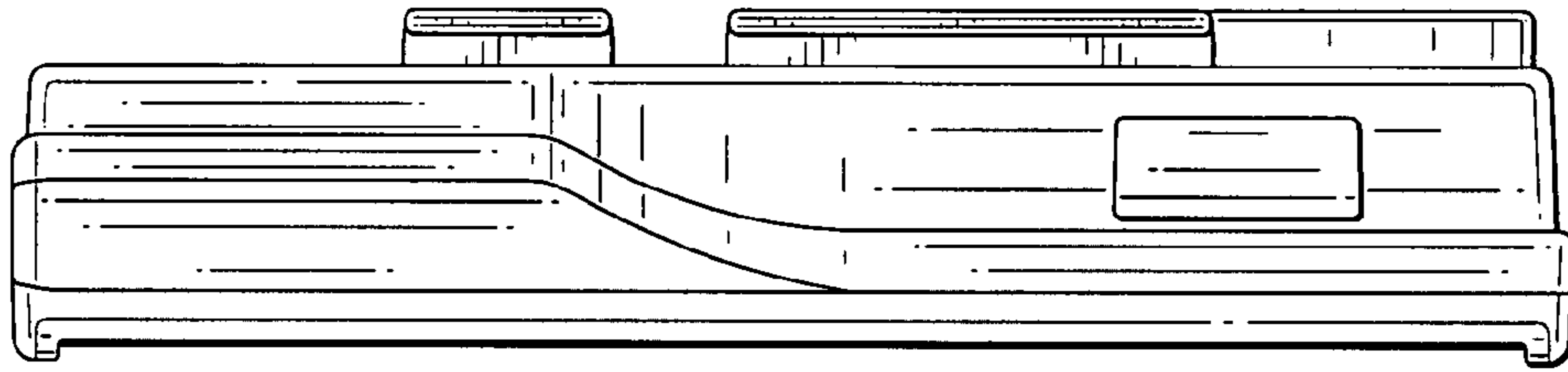


Fig. 4

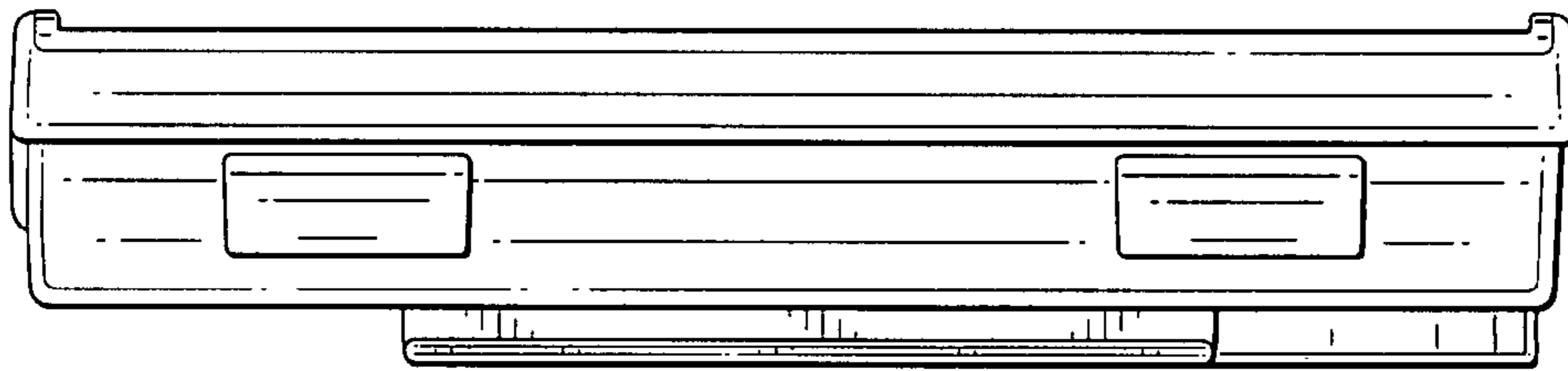


Fig. 5

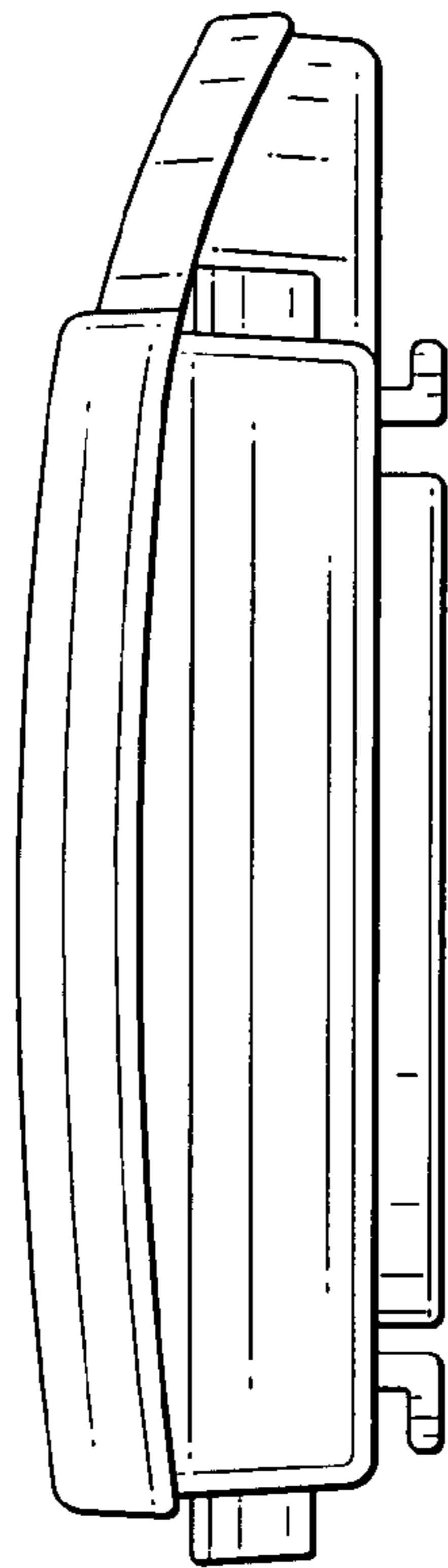


Fig. 6

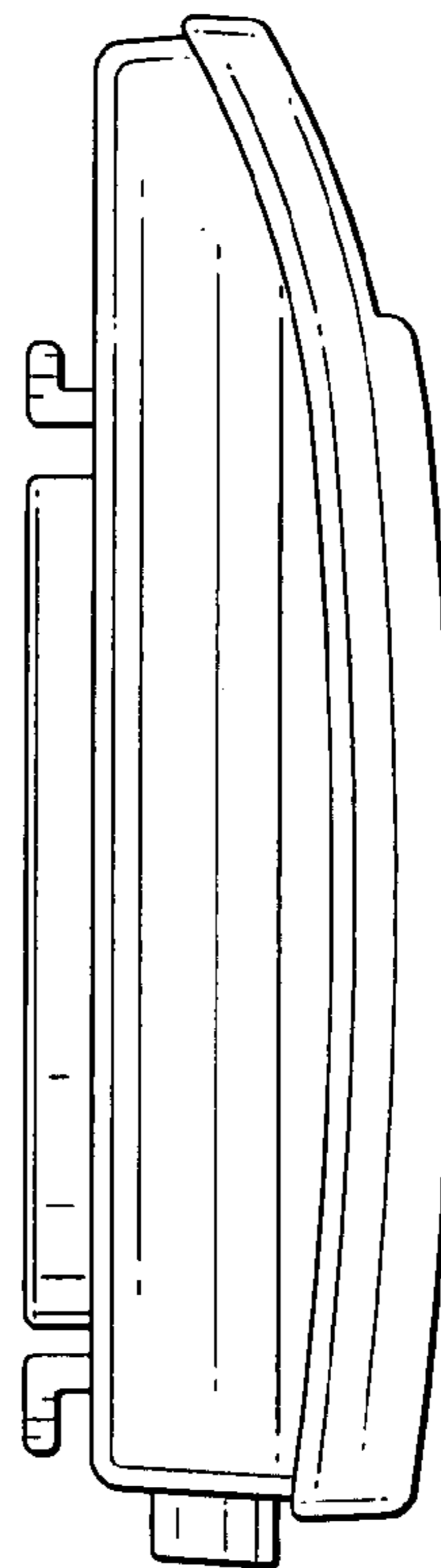


Fig. 7

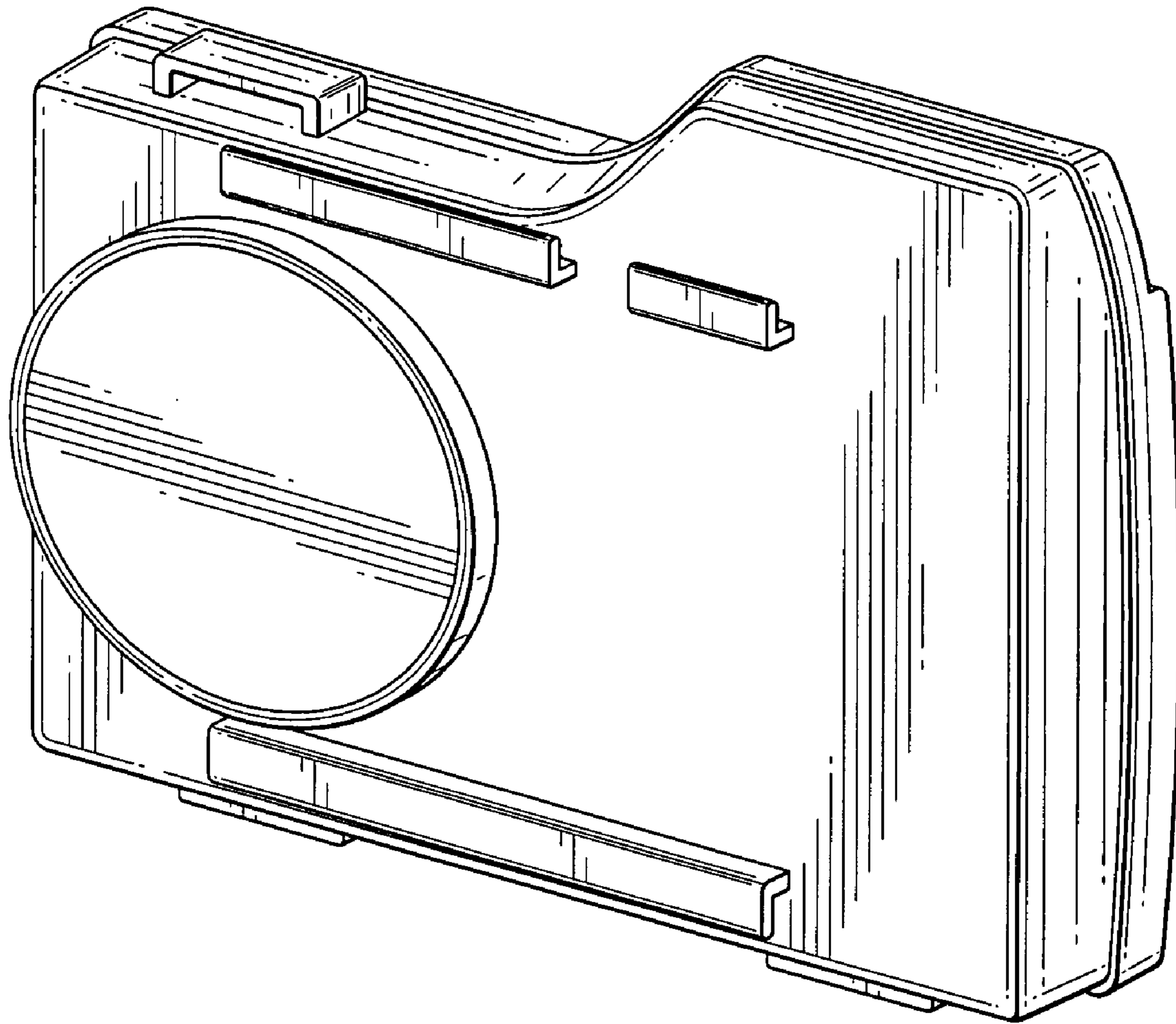


Fig. 8