



US00D574437S

(12) **United States Design Patent**
Green

(10) **Patent No.:** **US D574,437 S**

(45) **Date of Patent:** **** Aug. 5, 2008**

(54) **AUTOMOTIVE MESSAGE DISPLAY**

(76) **Inventor:** **Betty J. Green**, 2331 NW. 119th St.,
Apt. 215, Miami, FL (US) 33167

(**) **Term:** **14 Years**

(21) **Appl. No.:** **29/250,887**

(22) **Filed:** **Dec. 4, 2006**

(51) **LOC (8) Cl.** **20-03**

(52) **U.S. Cl.** **D20/10**

(58) **Field of Classification Search** D20/10,
D20/15, 17-19, 39, 42, 99; 40/534, 541,
40/564, 584, 588, 591-593; D10/109, 114;
D12/400; D26/28, 29, 31; 340/563; 362/811,
362/812

See application file for complete search history.

(56) **References Cited**

U.S. PATENT DOCUMENTS

D120,338 S *	5/1940	Chryst	D20/10
D219,800 S *	1/1971	Novak et al.	D20/10
D341,438 S *	11/1993	Samson	D26/31
D355,675 S *	2/1995	Craig et al.	D20/10
D374,191 S *	10/1996	Terrebonne et al.	D10/114
D409,318 S *	5/1999	Hopkins et al.	D26/31
5,943,801 A *	8/1999	Wilkinson	40/564
D418,930 S *	1/2000	De Leon	D26/31

D438,655 S *	3/2001	Newman	D26/28
6,401,374 B1 *	6/2002	Bahmad	40/593
6,553,285 B1	4/2003	Bahmad		
6,885,294 B1	4/2005	Tonkin		
D551,107 S *	9/2007	Kuo	D10/114
2004/0145463 A1	7/2004	Weatherspoon		
2005/0099287 A1	5/2005	Su		

* cited by examiner

Primary Examiner—Janice E. Seeger
Assistant Examiner—Mary Ann Calabrese

(57) **CLAIM**

The ornamental design for an automotive message display, as shown and described.

DESCRIPTION

FIG. 1 is a front elevation view of an automotive message display showing my new design;

FIG. 2 is a rear elevation view;

FIG. 3 is a side elevation view;

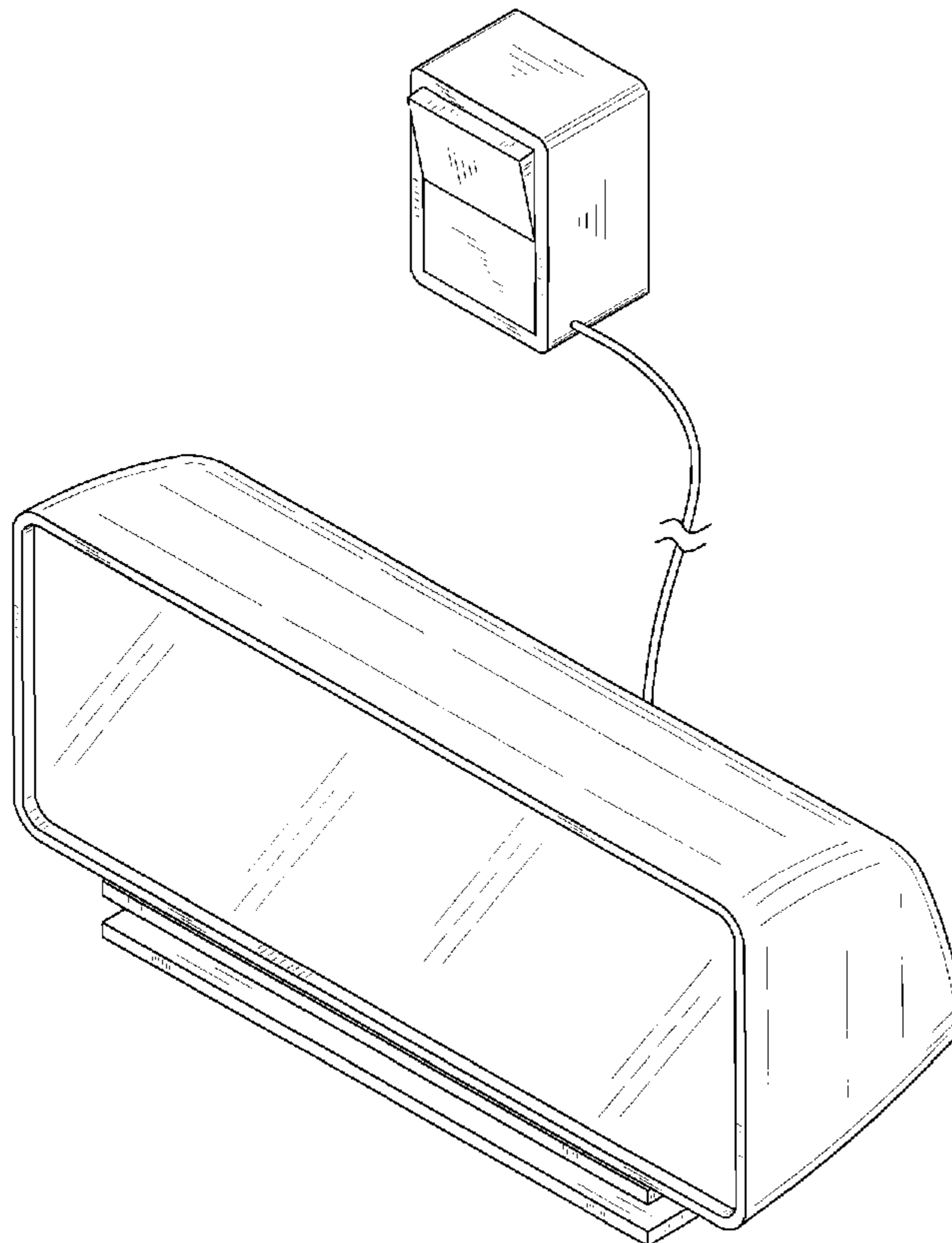
FIG. 4 is a top plan view;

FIG. 5 is a bottom plan view; and,

FIG. 6 is a right side isometric view of an automotive message display showing my new design.

The break lines in the cord indicate no specific length.

1 Claim, 5 Drawing Sheets



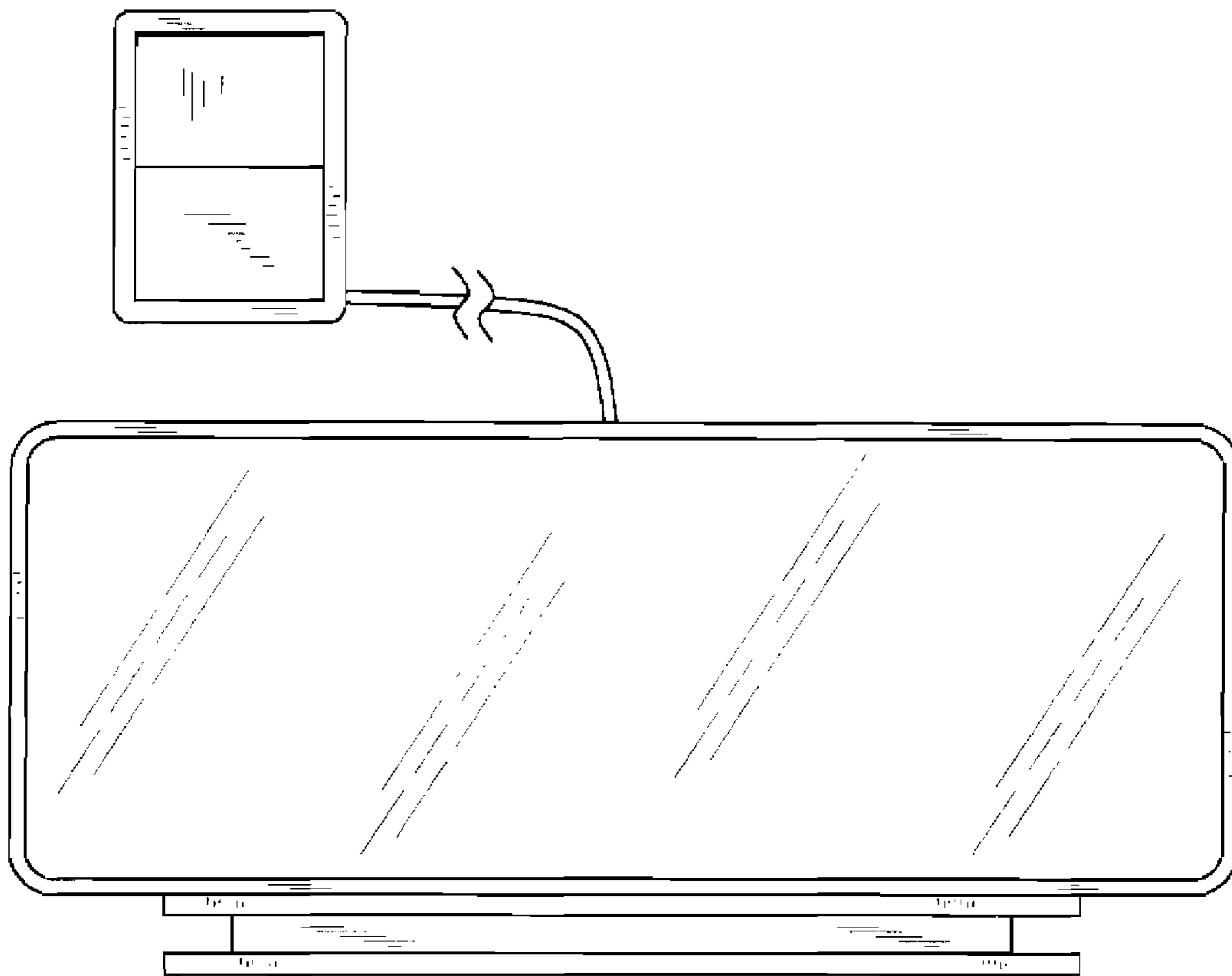


FIG. 1

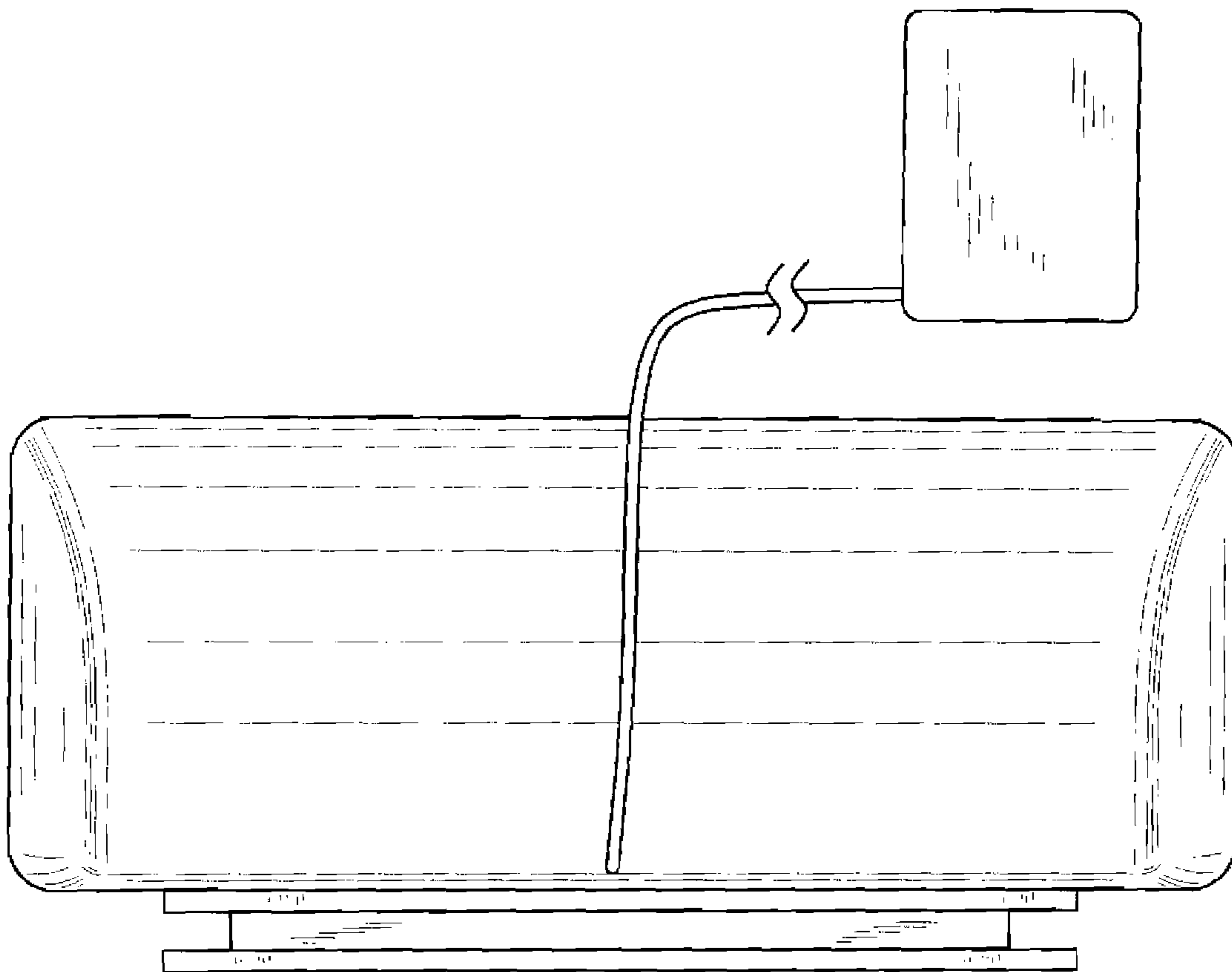


FIG. 2

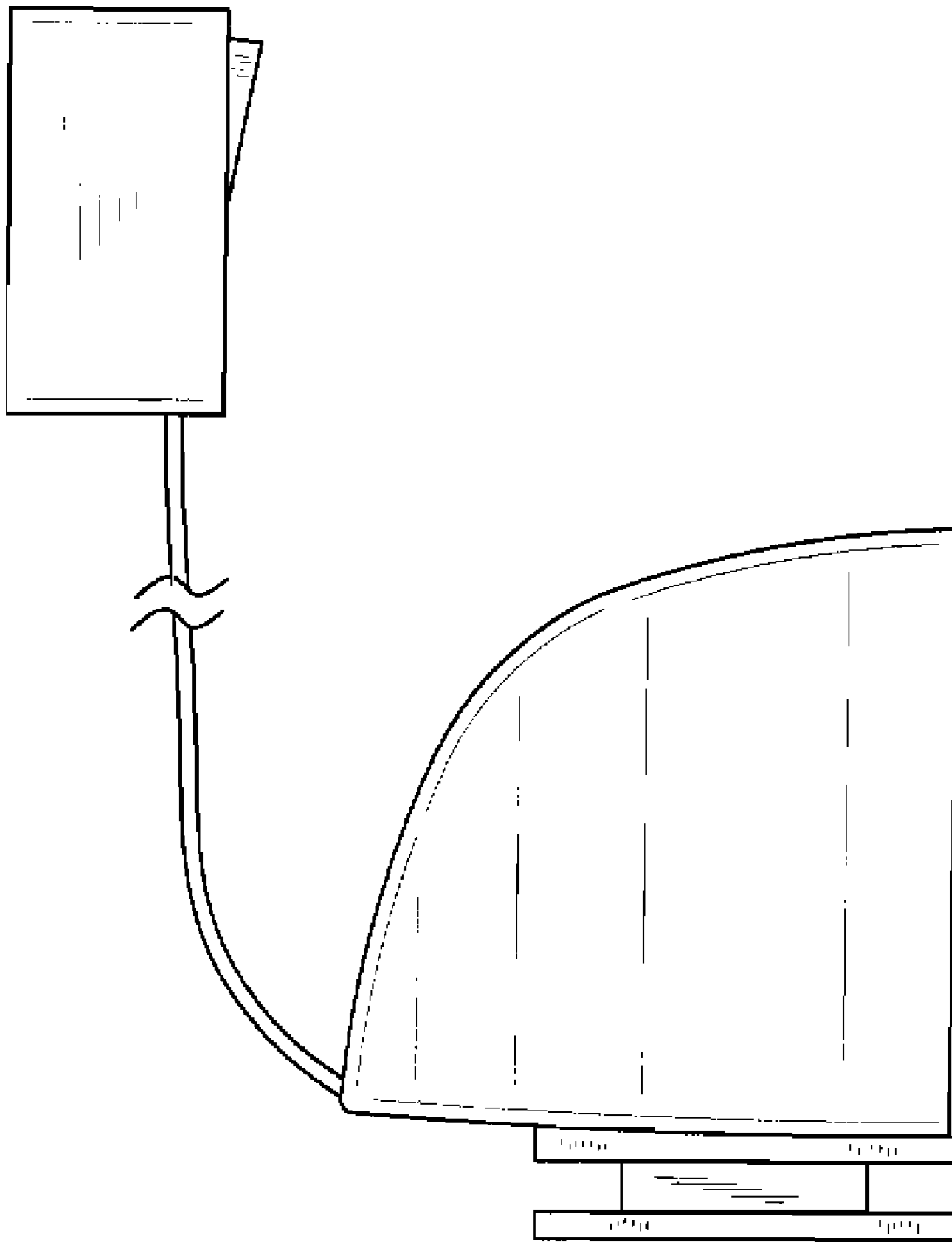


FIG. 3

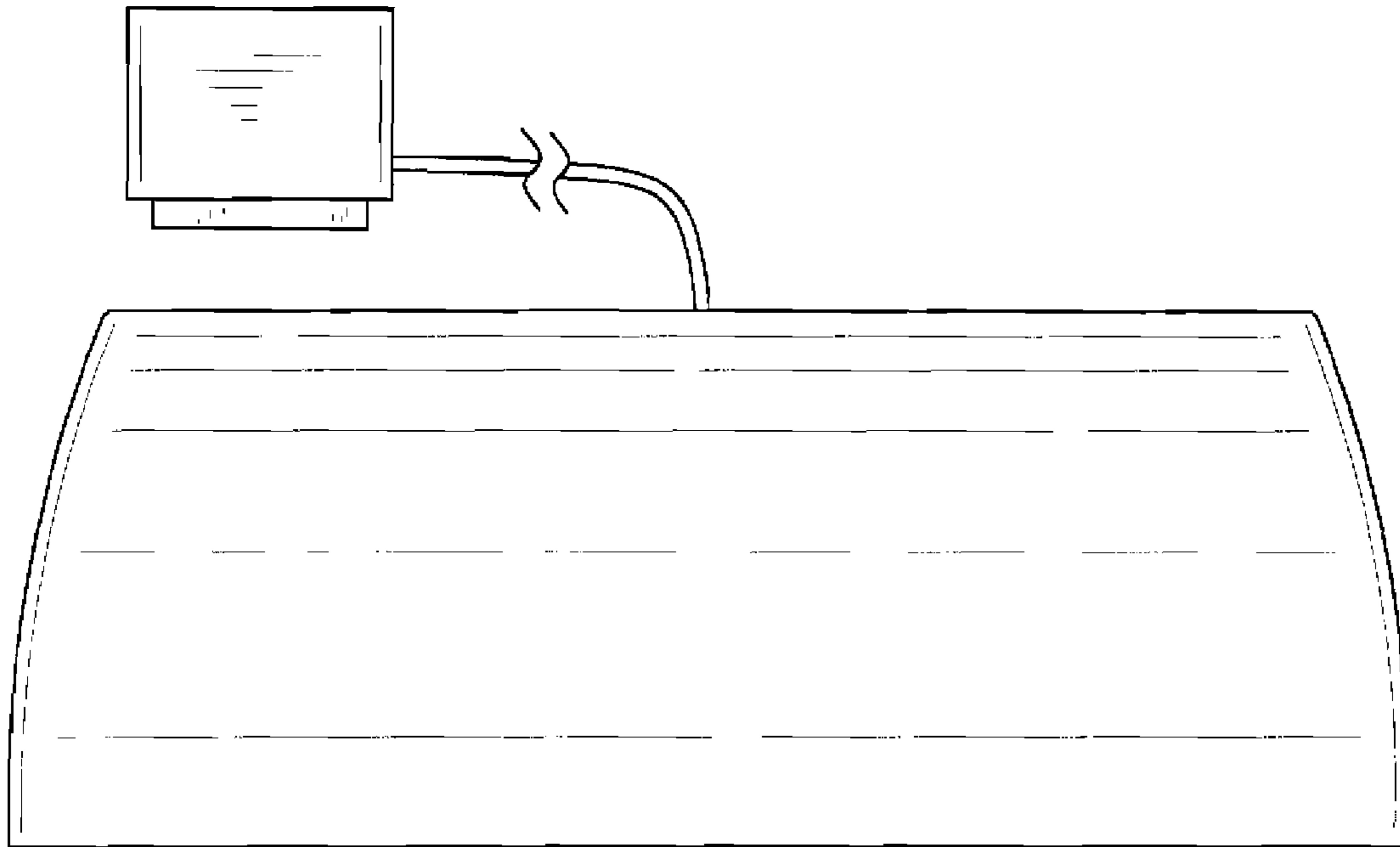


FIG. 4

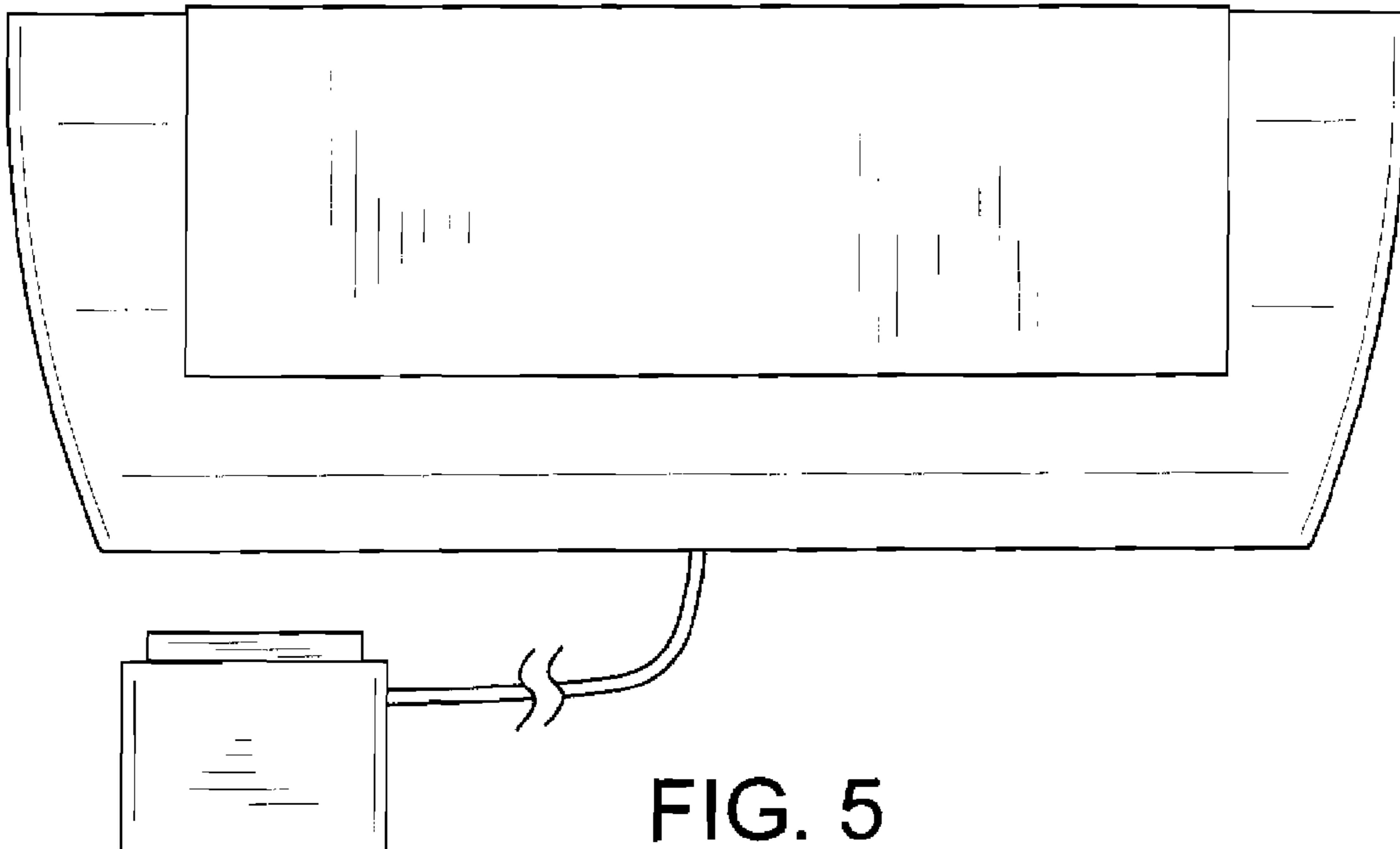


FIG. 5

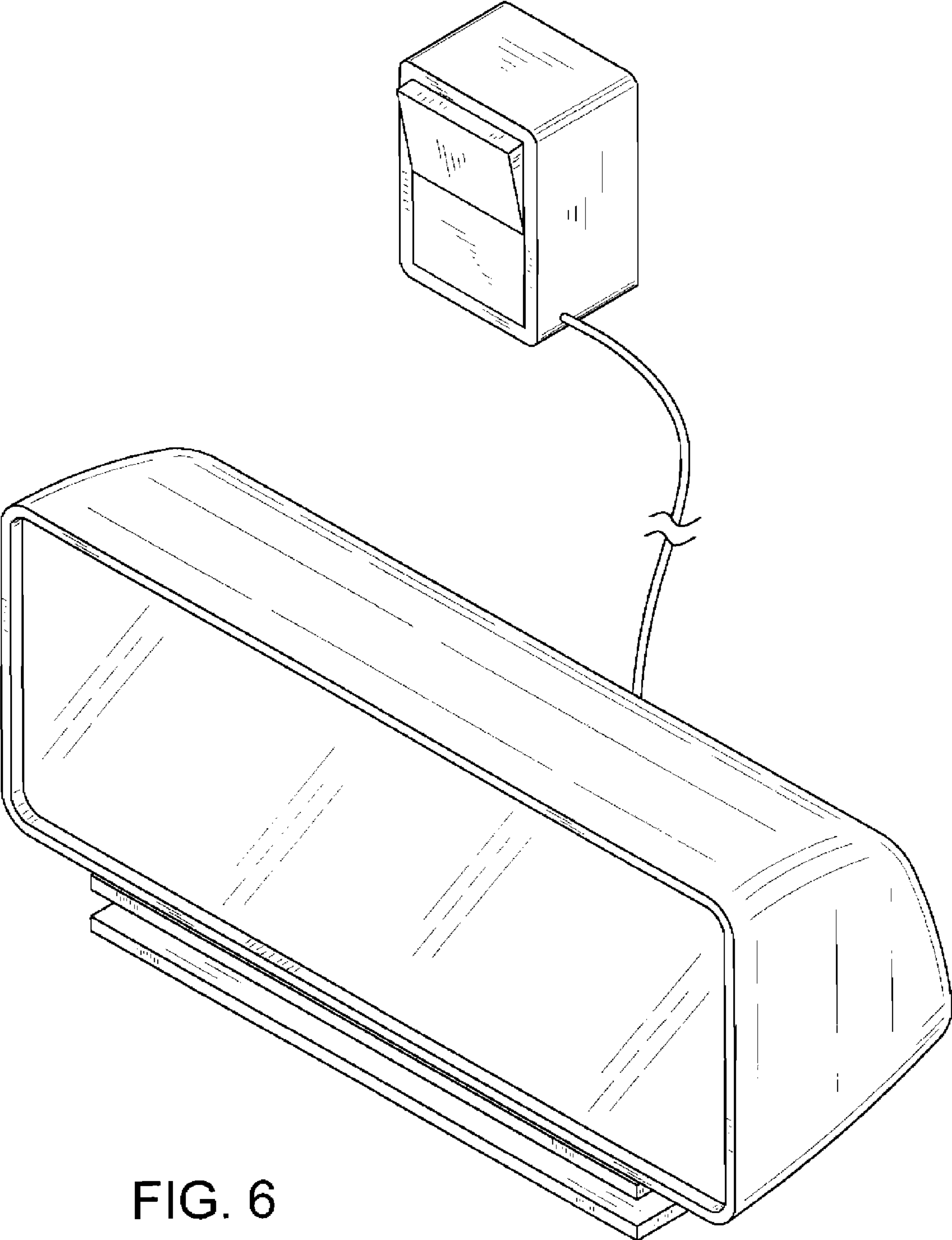


FIG. 6