



US00D574435S

(12) **United States Design Patent**
Jour

(10) **Patent No.:** **US D574,435 S**
(45) **Date of Patent:** **** Aug. 5, 2008**

(54) **MEMO PAPER DISPENSER**

(75) Inventor: **David C. T. Jour**, Taipei (TW)

(73) Assignee: **Kudos Finder Trading Co., Ltd**, Taipei (TW)

(**) Term: **14 Years**

(21) Appl. No.: **29/277,577**

(22) Filed: **Mar. 1, 2007**

(51) **LOC (8) Cl.** **19-02**

(52) **U.S. Cl.** **D19/86**

(58) **Field of Classification Search** D19/35,
D19/36, 65, 75, 77, 78, 81, 82, 83, 84, 85,
D19/86, 91, 92, 95, 96, 99, 100, 21; 118/249,
118/264, 325; 221/210, 213, 259; 226/128,
226/131; D6/518

See application file for complete search history.

(56) **References Cited**

U.S. PATENT DOCUMENTS

- D306,462 S * 3/1990 Miles et al. D19/86
- D454,369 S * 3/2002 Milliorn D19/69
- D483,405 S * 12/2003 Bratter et al. D19/2
- D490,856 S * 6/2004 Passarella D19/78

- D491,606 S * 6/2004 Jour D19/86
- 6,837,395 B2 * 1/2005 Windorski et al. 221/1
- D508,955 S * 8/2005 Jour D19/86
- D519,566 S * 4/2006 Jour D19/86
- D556,829 S * 12/2007 Jour D19/86
- 2006/0175342 A1 * 8/2006 Jour 221/33

* cited by examiner

Primary Examiner—Cathron Brooks
Assistant Examiner—Austin Murphy

(57) **CLAIM**

The ornamental design for a memo paper dispenser, as shown and described.

DESCRIPTION

FIG. 1 is a front elevational view of a memo paper dispenser showing my new design;

FIG. 2 is a rear elevational view thereof;

FIG. 3 is a left side elevational view thereof;

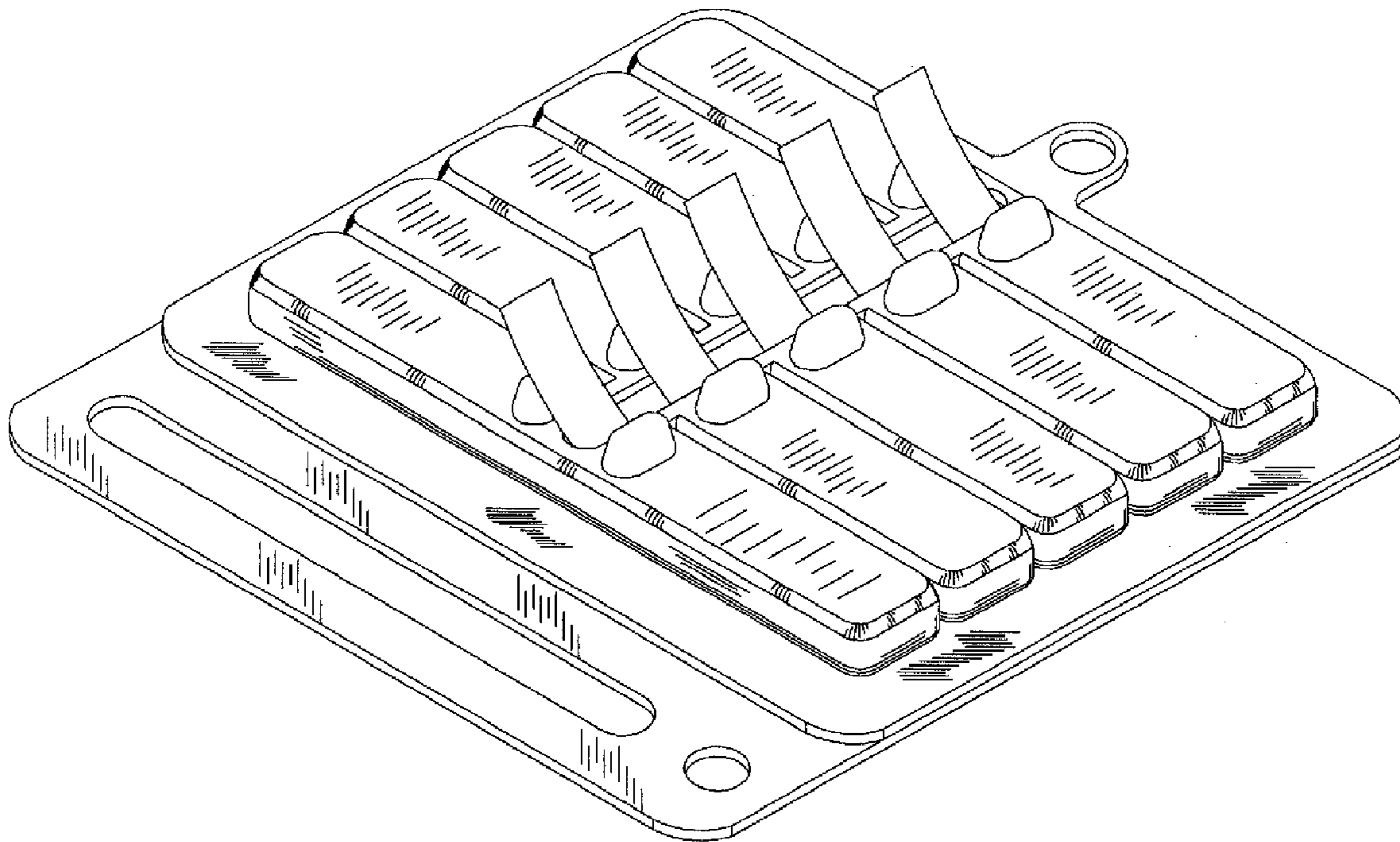
FIG. 4 is a right side elevational view thereof;

FIG. 5 is a top plan view thereof;

FIG. 6 is a bottom plan view thereof; and,

FIG. 7 is a perspective view thereof.

1 Claim, 4 Drawing Sheets



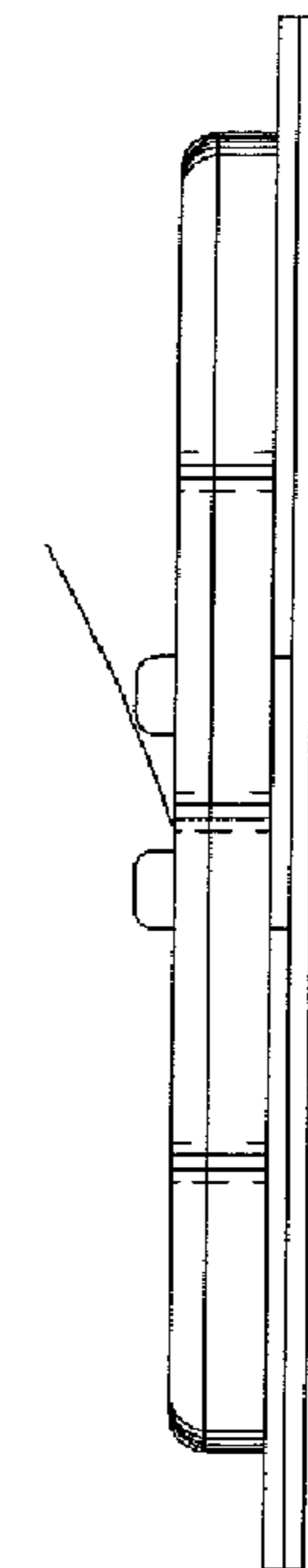


Fig. 1

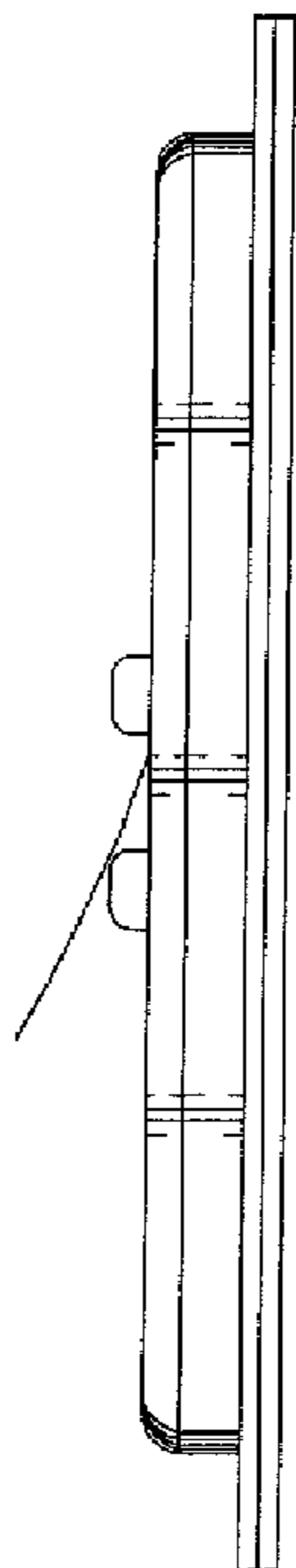


Fig. 2

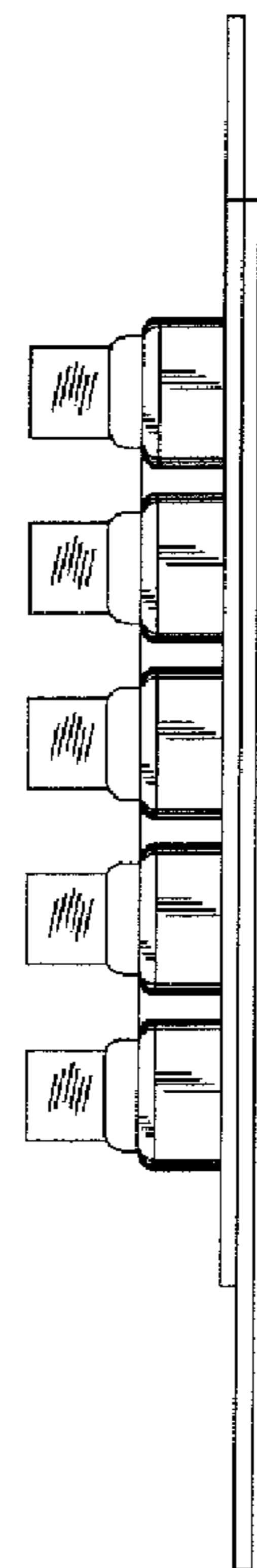


Fig. 3

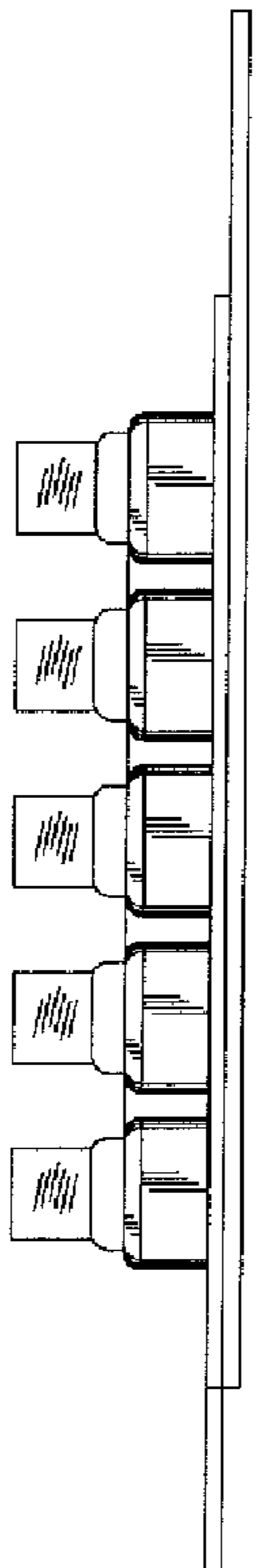


Fig. 4

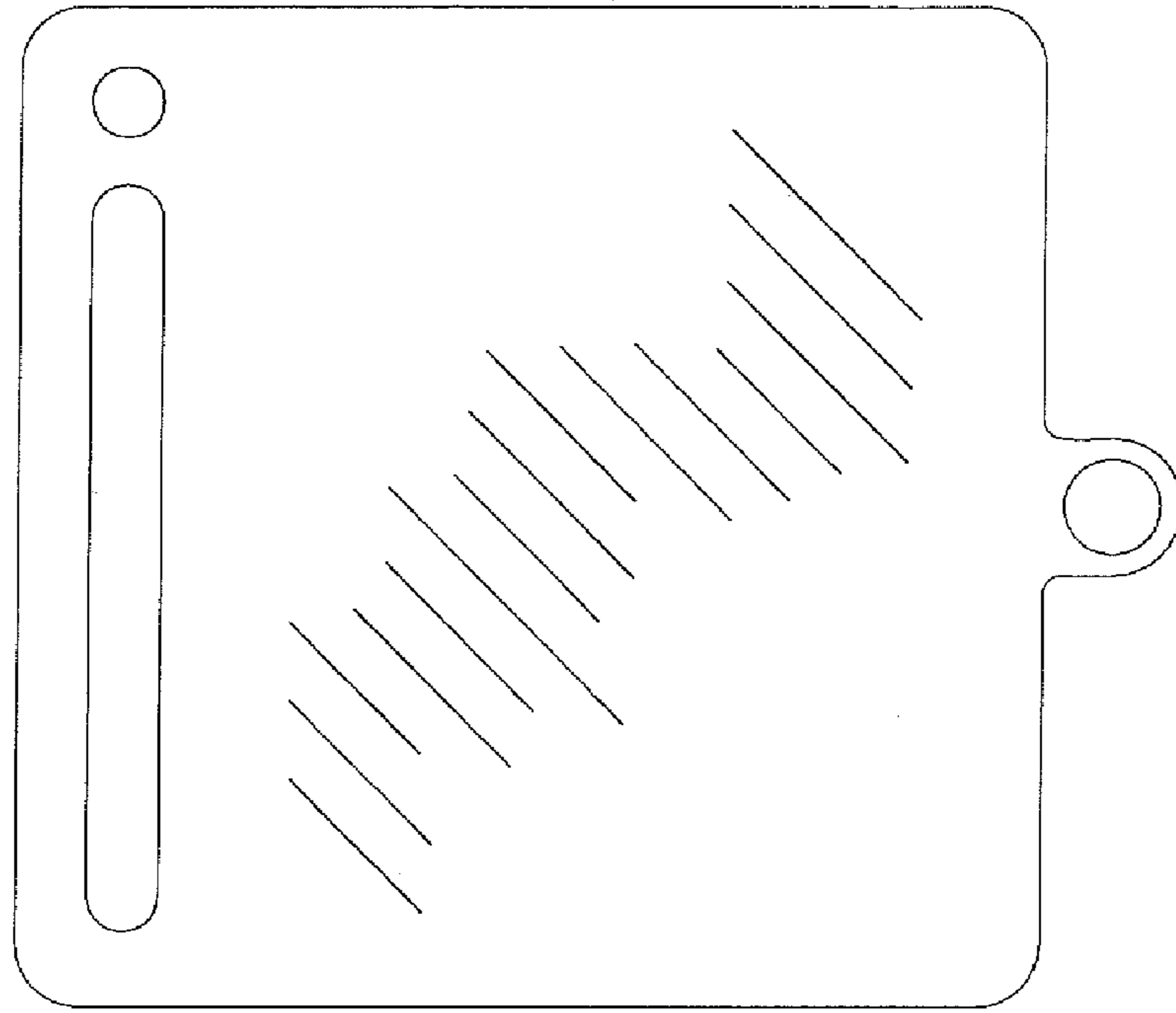


Fig. 6

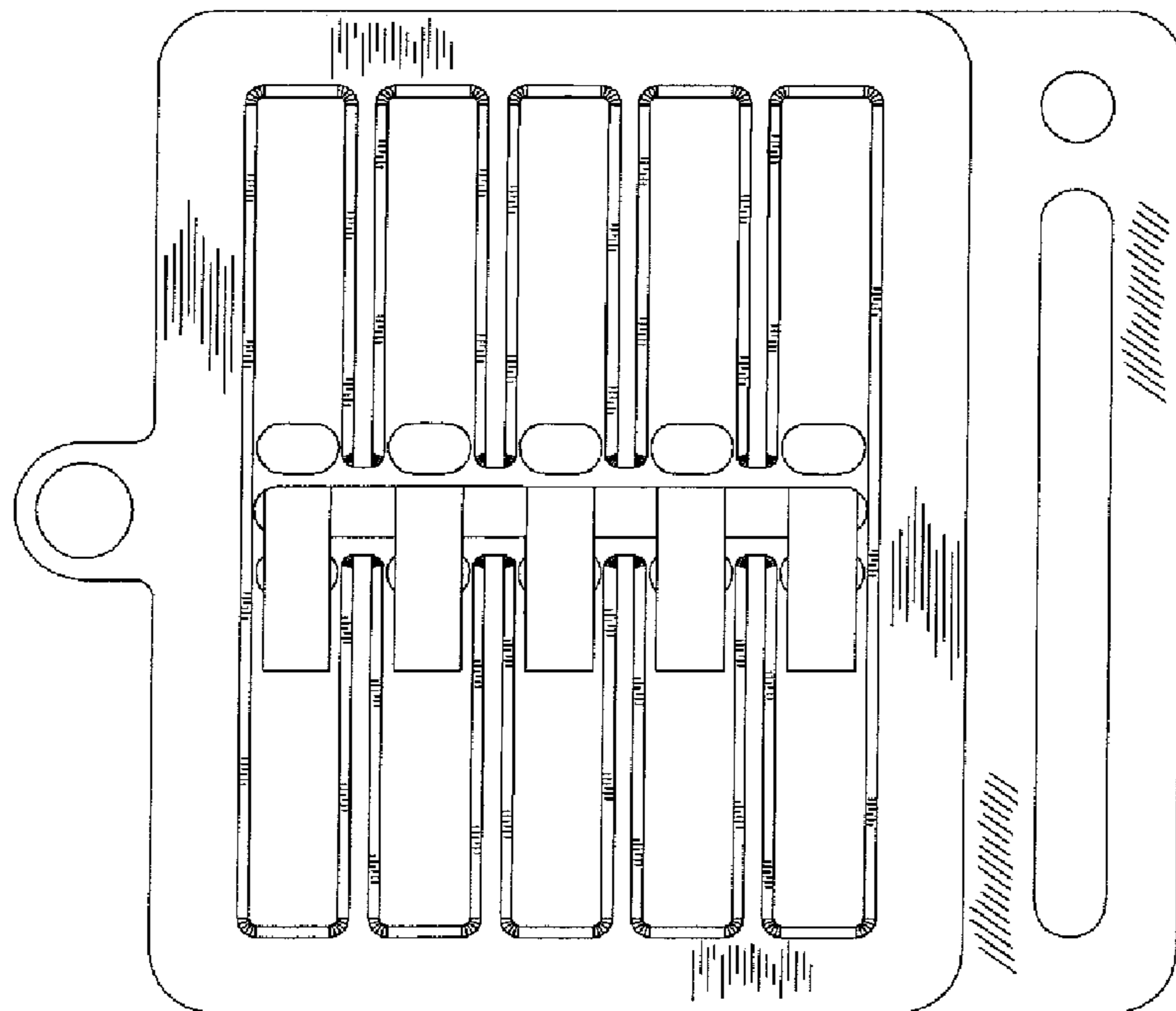


Fig. 5

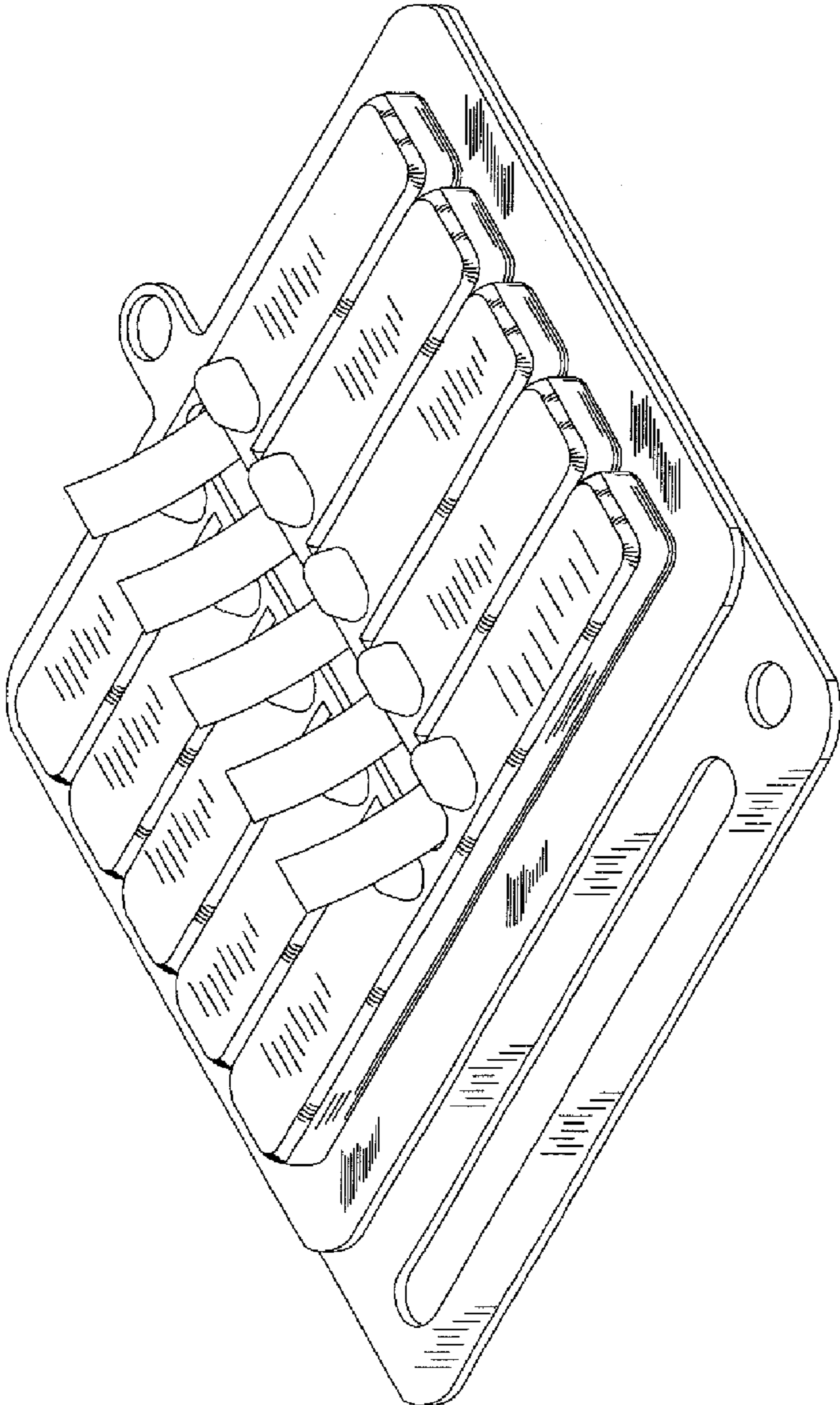


Fig. 7