



US00D574433S

(12) **United States Design Patent**
Poma

(10) **Patent No.:** **US D574,433 S**
(45) **Date of Patent:** **** Aug. 5, 2008**

(54) **VEHICLE VISOR MAGNETIC PEN HOLDER**

(76) Inventor: **Sebastiano Poma**, 8924 Jonathan Manor Dr., Orlando, FL (US) 32819

(**) Term: **14 Years**

(21) Appl. No.: **29/288,354**

(22) Filed: **Jun. 8, 2007**

(51) **LOC (8) Cl.** **19-06**

(52) **U.S. Cl.** **D19/83; D12/417**

(58) **Field of Classification Search** D8/395;
D12/191, 417; D19/54, 75, 77-85; 206/1.7,
206/214; 211/69.1-69.9, 70.1; 24/3.12;
224/312

See application file for complete search history.

(56) **References Cited**

U.S. PATENT DOCUMENTS

- 428,239 A * 5/1890 Way 211/65
- 1,376,753 A * 5/1921 Febrey 24/67.11
- D134,886 S * 1/1943 Foret D19/65
- D208,975 S * 10/1967 Koubele D12/191
- 3,564,668 A * 2/1971 Kirk 281/30
- 4,103,860 A * 8/1978 Haas et al. 248/467
- D304,959 S * 12/1989 King D19/75
- 5,169,102 A * 12/1992 Bracken 248/117.3
- D353,356 S * 12/1994 Tong D12/191
- D354,471 S * 1/1995 Moseley D12/191
- D359,309 S * 6/1995 Bracken D19/83

- D365,074 S * 12/1995 Tong D12/191
- 5,718,023 A * 2/1998 Billish 24/11 HC
- D392,927 S * 3/1998 Luong D12/191
- D397,073 S * 8/1998 Kui D12/191
- D413,293 S * 8/1999 Haas et al. D12/191
- D426,183 S * 6/2000 Brooks et al. D12/191
- D453,294 S * 2/2002 Bitzer D8/395
- 6,543,615 B2 * 4/2003 Lake 206/371
- D486,523 S * 2/2004 Lederer et al. D19/83
- D546,743 S * 7/2007 Wisco D12/191

* cited by examiner

Primary Examiner—Elizabeth A Albert

(74) *Attorney, Agent, or Firm*—William M. Hobby, III

(57) **CLAIM**

The ornamental design for a vehicle visor magnetic pen holder, as shown and described.

DESCRIPTION

FIG. 1 is a top front perspective view of my new vehicle visor magnetic pen holder;

FIG. 2 is a front elevation;

FIG. 3 is a top plan view;

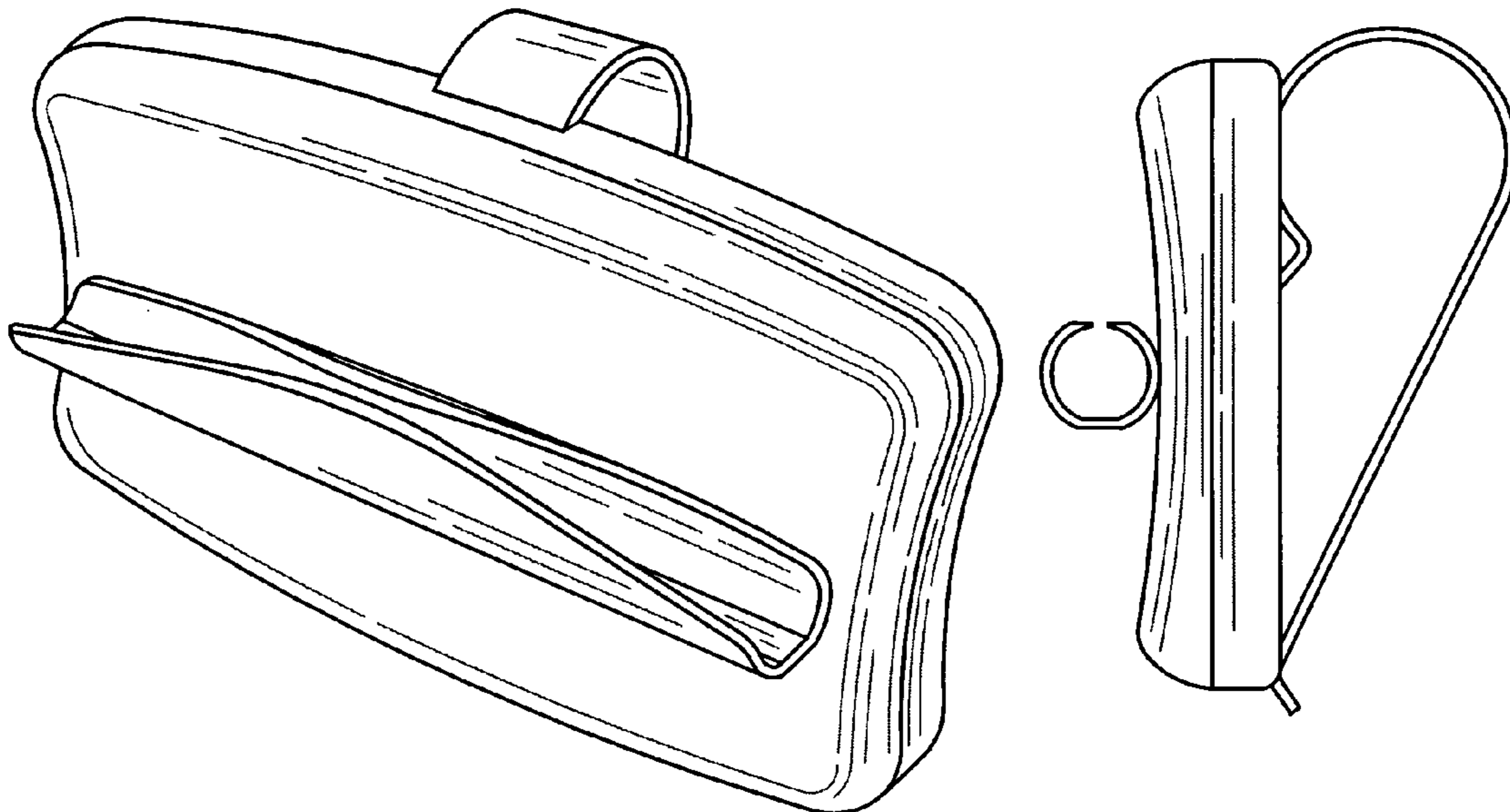
FIG. 4 is a rear elevation;

FIG. 5 is a bottom plan view;

FIG. 6 is a right side elevation; and,

FIG. 7 is a left side elevation.

1 Claim, 2 Drawing Sheets



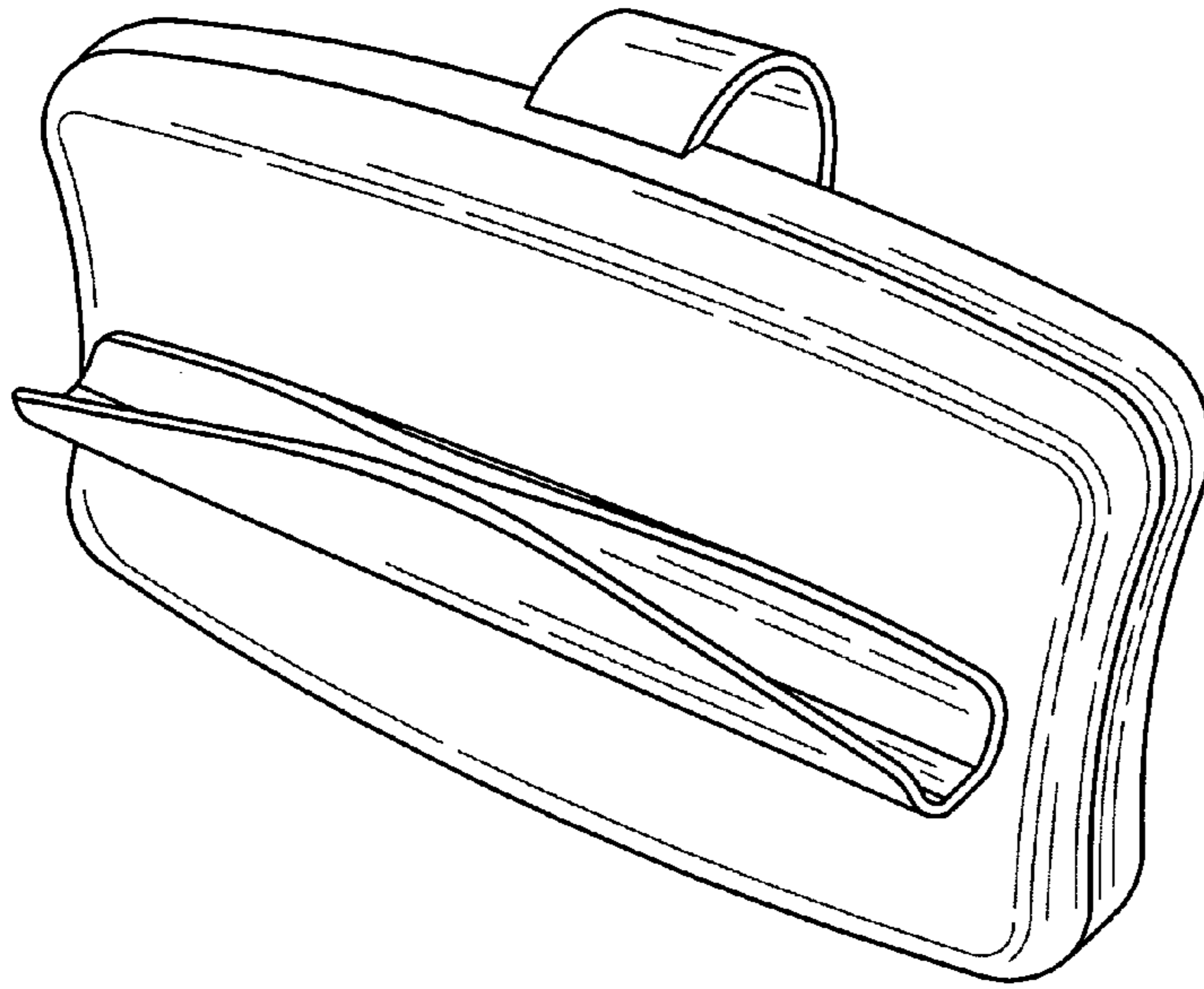


FIG. 1

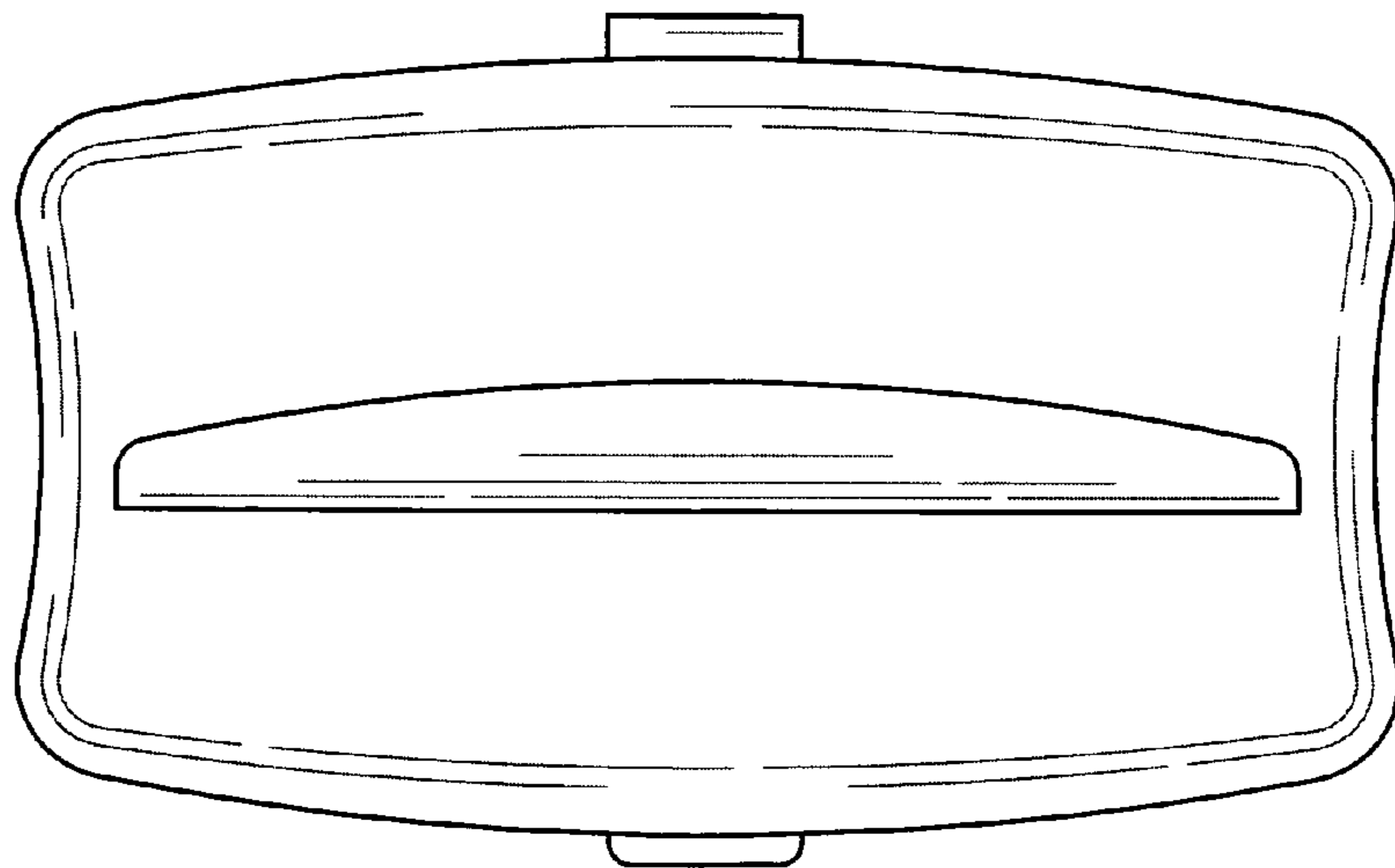


FIG. 2

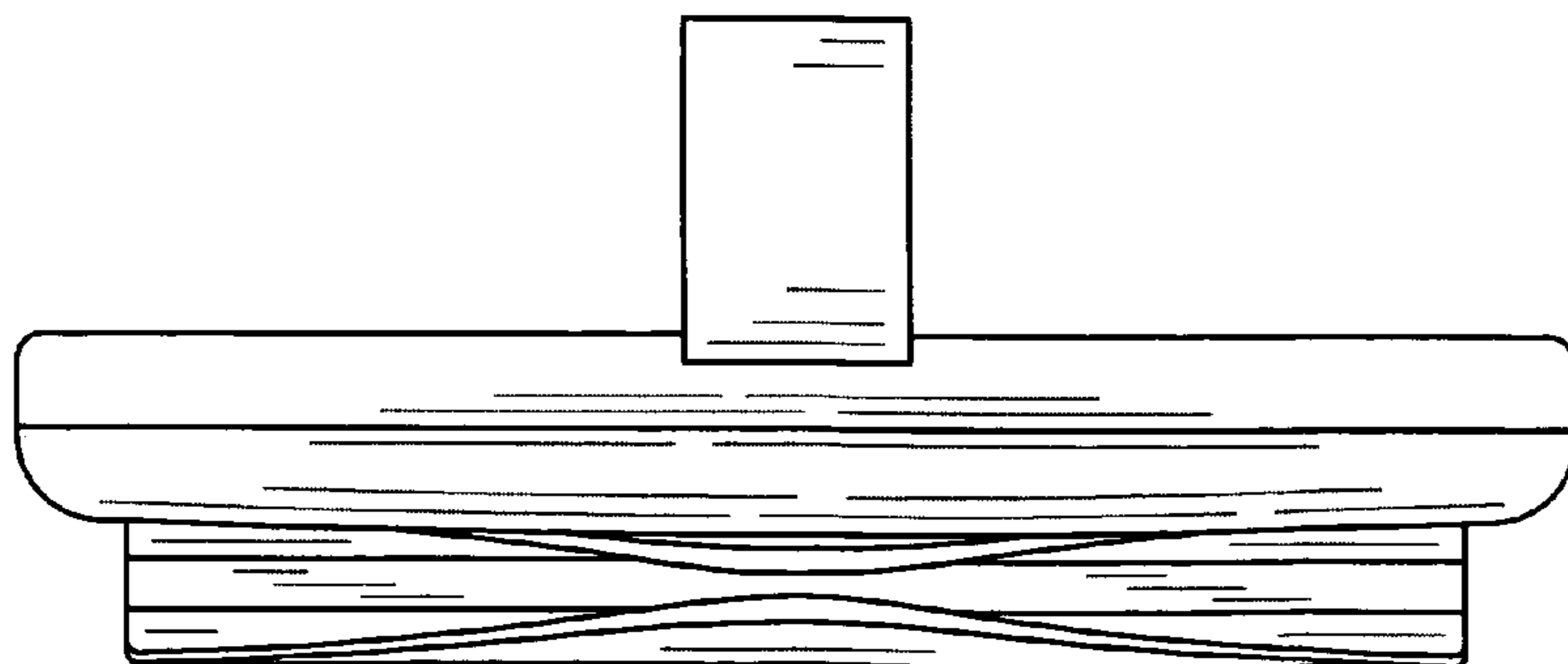


FIG. 3

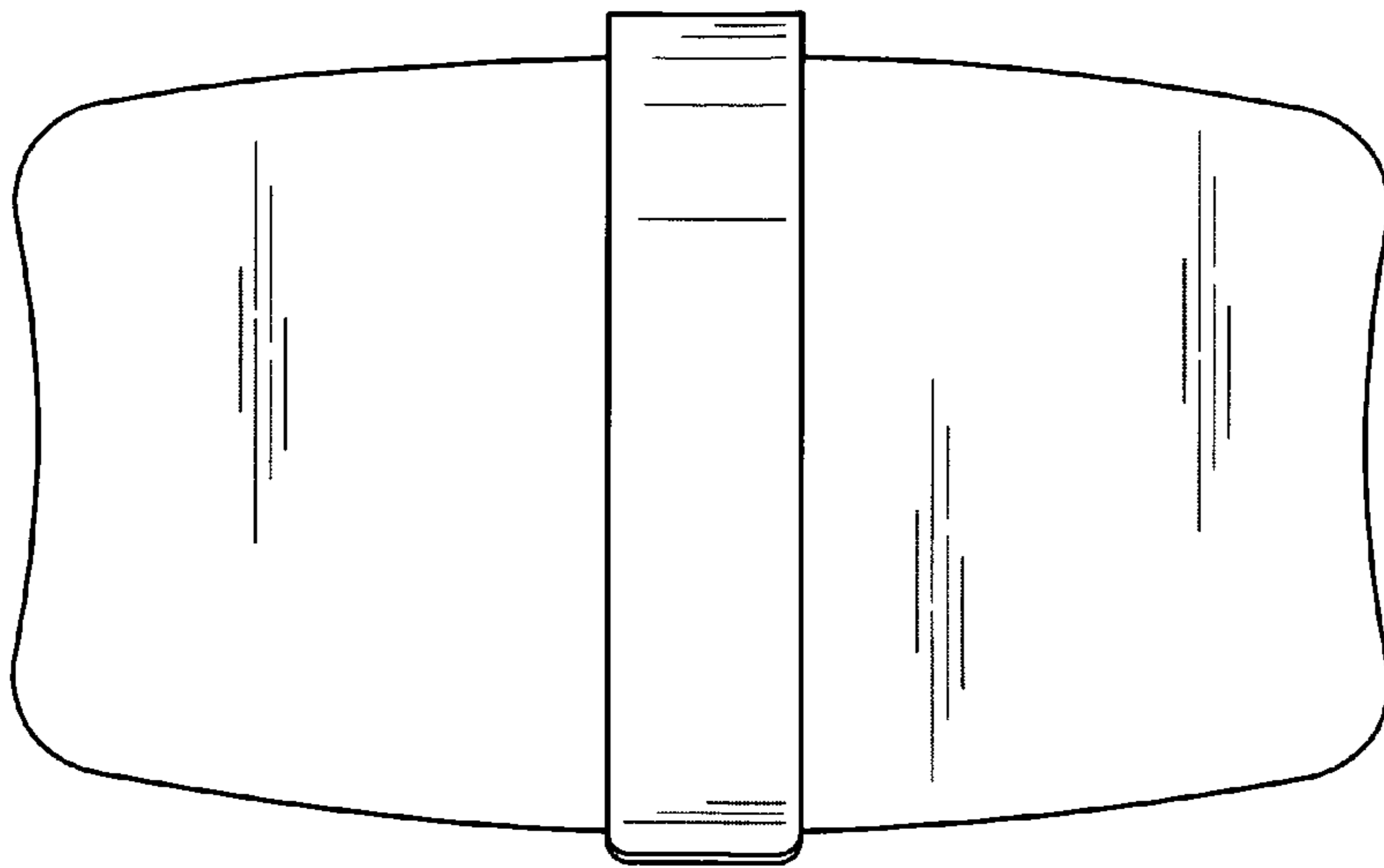


FIG. 4

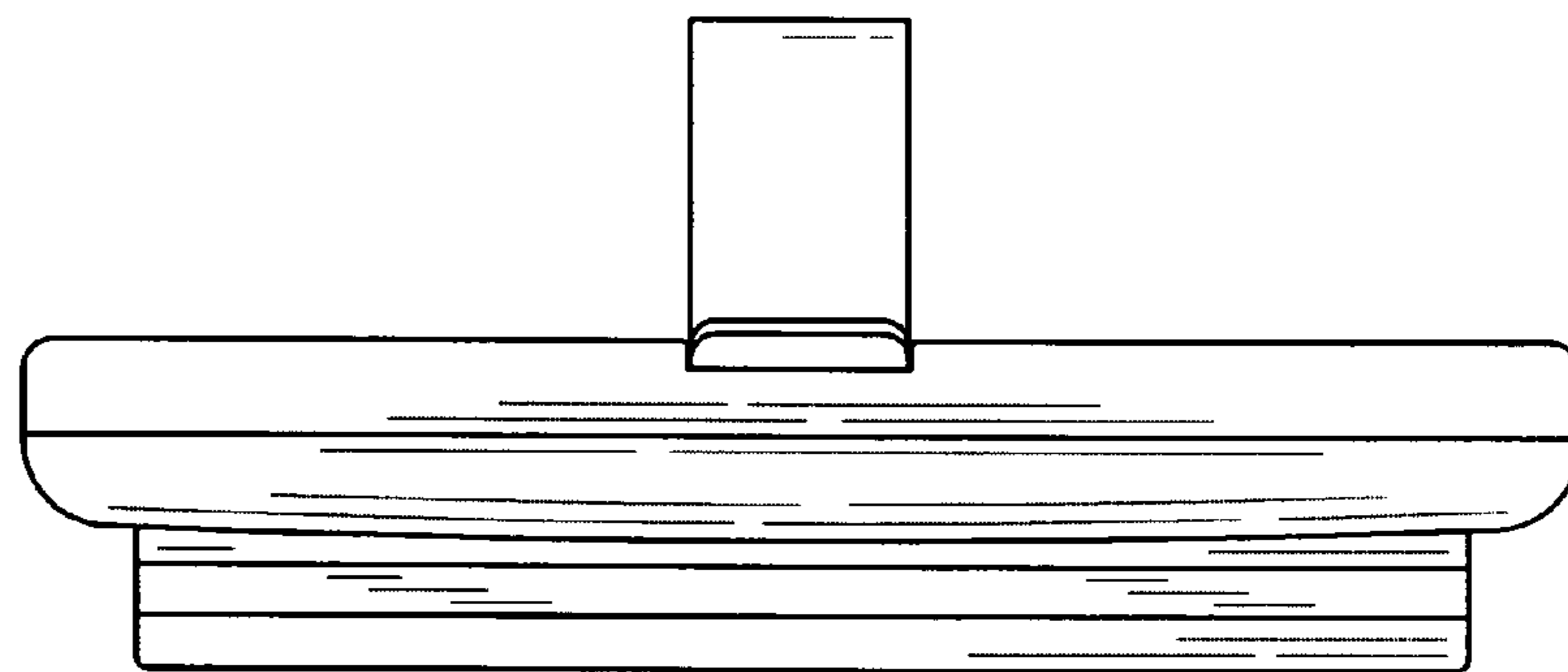


FIG. 5

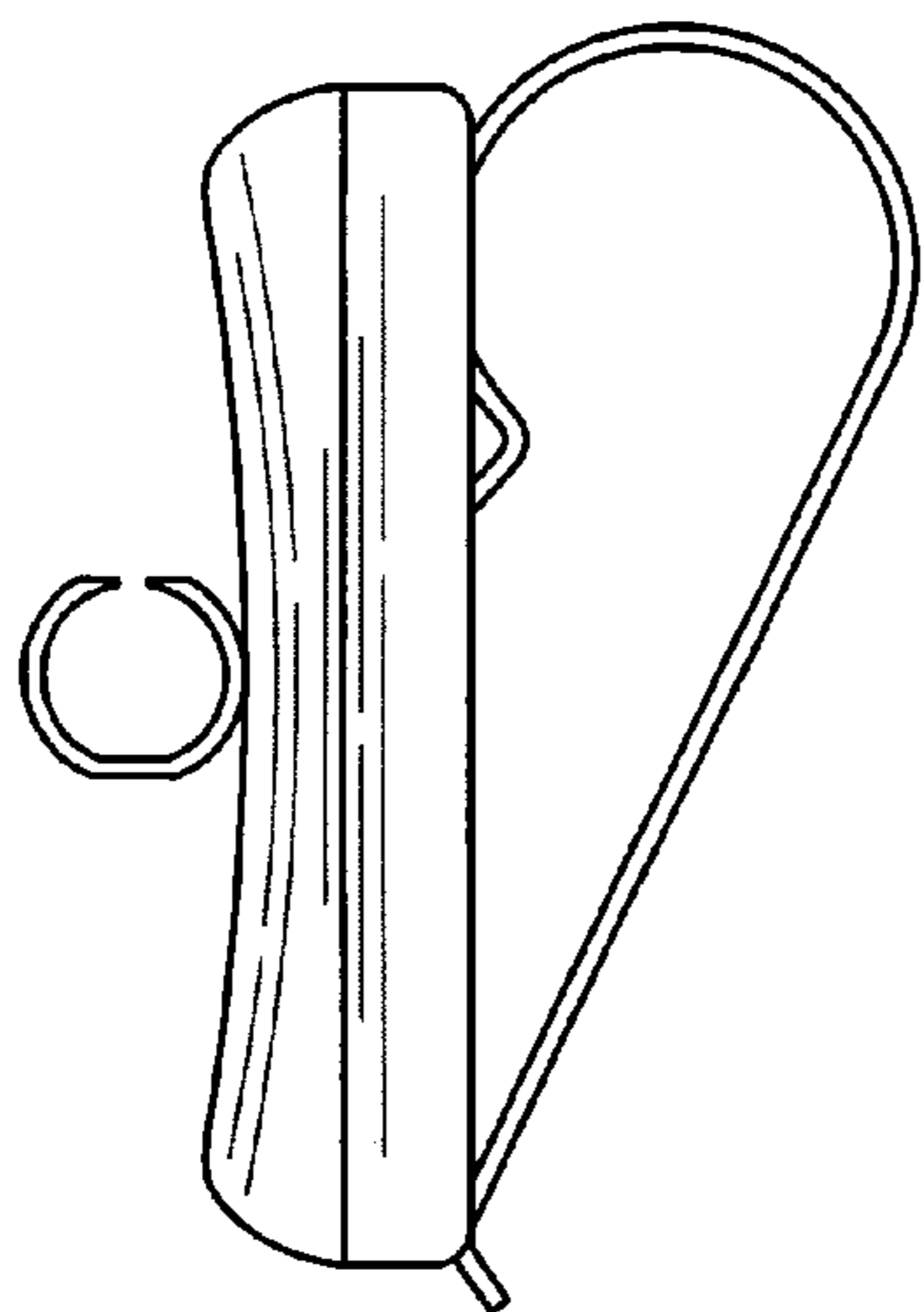


FIG. 6

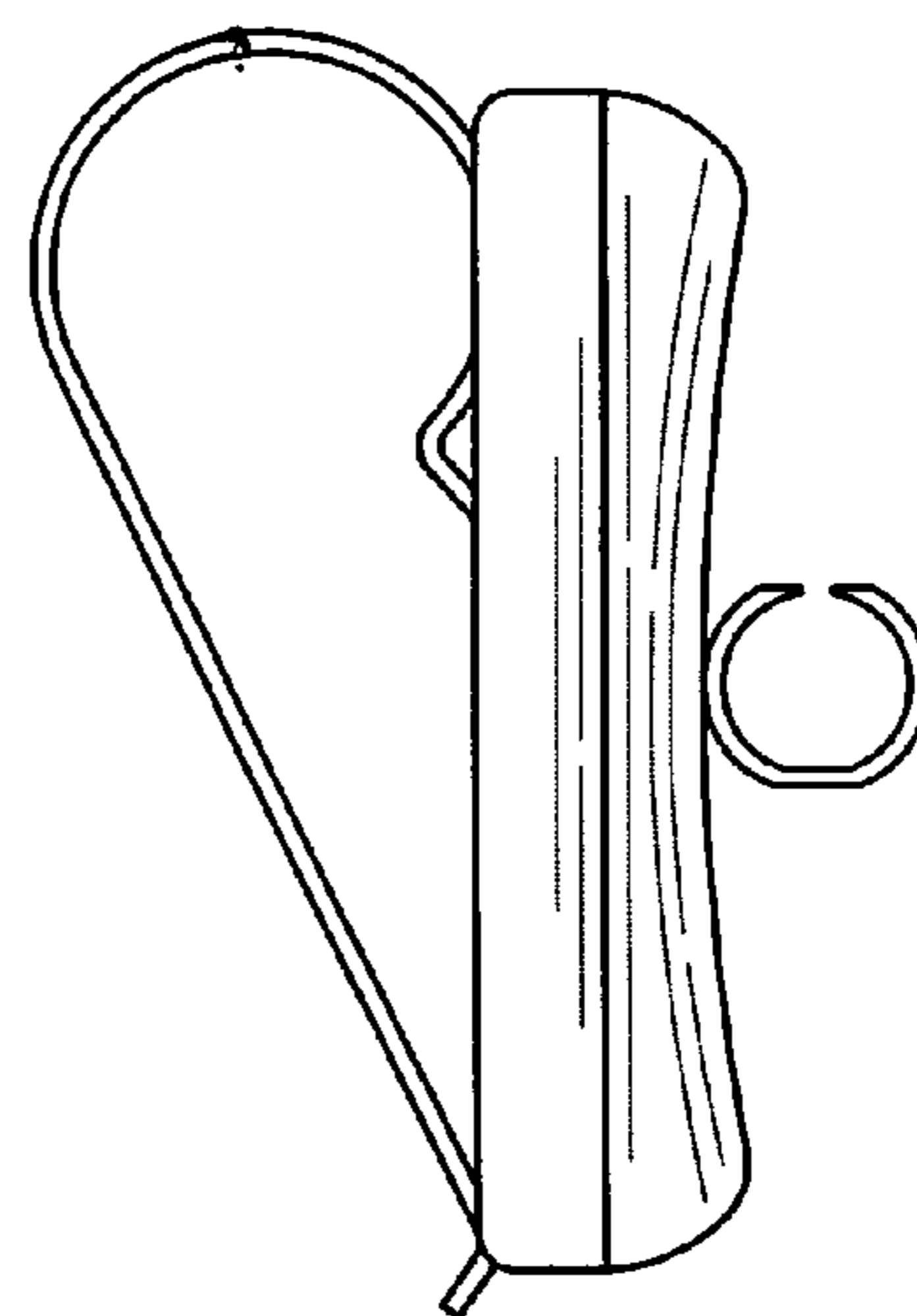


FIG. 7