

US00D574431S

(12) **United States Design Patent**
Kouda

(10) **Patent No.:** **US D574,431 S**
(45) **Date of Patent:** **** Aug. 5, 2008**

(54) **COATING FILM TRANSFER APPARATUS**

D555,199 S * 11/2007 Ono D19/69
D555,200 S * 11/2007 Ono D19/69
D564,029 S * 3/2008 Ono D19/69

(75) Inventor: **Yoshinori Kouda**, Tokyo (JP)

* cited by examiner

(73) Assignee: **Tombow Pencil Co., Ltd.**, Tokyo (JP)

Primary Examiner—Cathron Brooks

(**) Term: **14 Years**

Assistant Examiner—Austin Murphy

(21) Appl. No.: **29/292,499**

(74) *Attorney, Agent, or Firm*—Scott D. Wofsy; Edwards Angell Palmer & Dodge LLP

(22) Filed: **Oct. 12, 2007**

(57) **CLAIM**

(30) **Foreign Application Priority Data**

The ornamental design for a coating film transfer apparatus, as is shown and described.

Apr. 19, 2007 (JP) 2007-010476

(51) **LOC (8) Cl.** **19-02**

DESCRIPTION

(52) **U.S. Cl.** **D19/69**

FIG. 1 is a front view of the coating film transfer apparatus of the subject invention;

(58) **Field of Classification Search** D19/66,

FIG. 2 is a rear view of the coating film transfer apparatus of the subject invention;

D19/67, 68, 69, 70; 156/523, 257, 540, 577;
206/411; 225/6, 25, 39, 77; 242/588, 588.1,
242/588.2, 588.3, 588.6, 5

FIG. 3 is a top view of the coating film transfer apparatus of the subject invention;

See application file for complete search history.

FIG. 4 is a bottom view of the coating film transfer apparatus of the subject invention;

(56) **References Cited**

U.S. PATENT DOCUMENTS

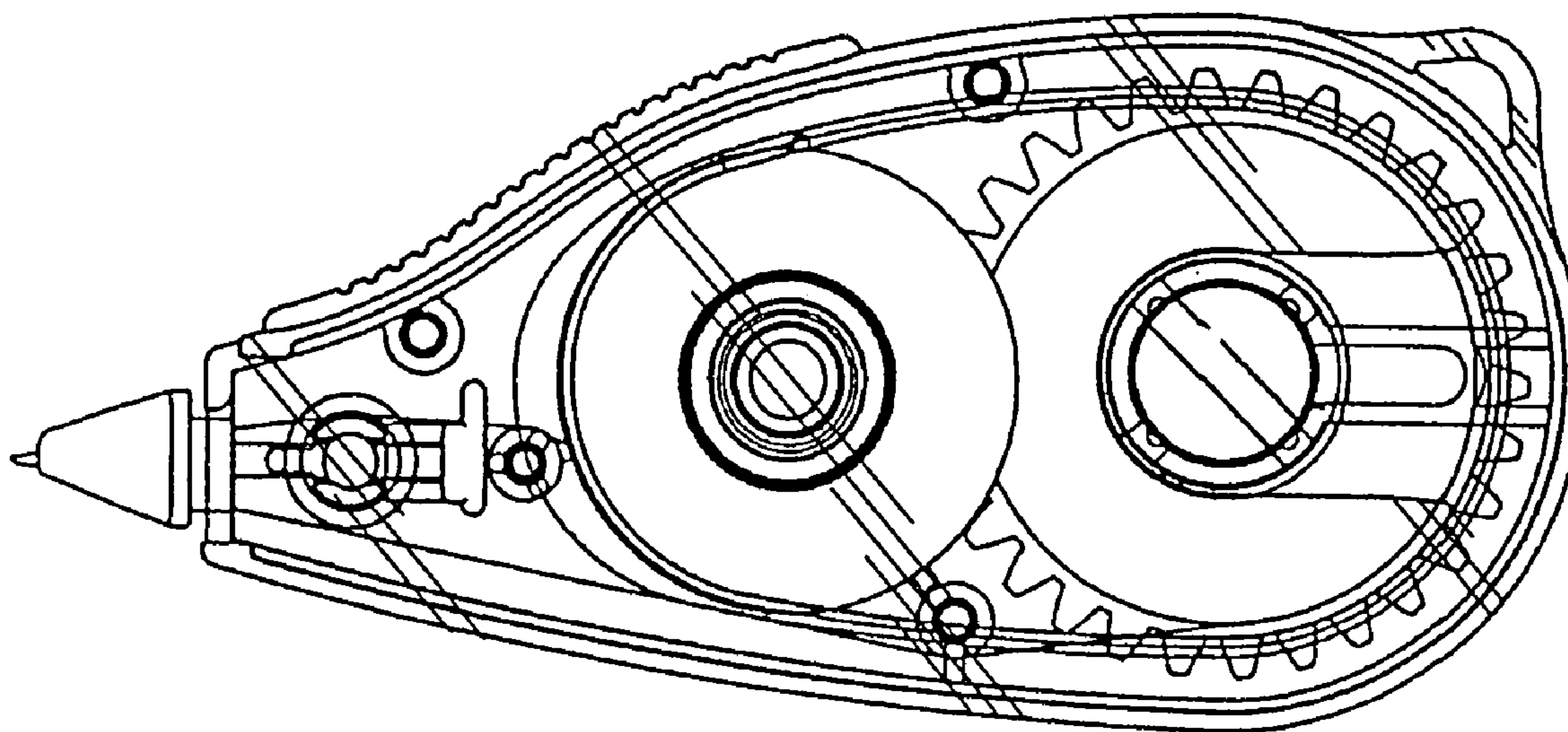
D355,934 S * 2/1995 Oga et al. D19/69
D421,059 S * 2/2000 Shimizu D19/69
D436,625 S * 1/2001 Katami D19/69
D438,250 S * 2/2001 Katami D19/69
D456,450 S * 4/2002 Kimura D19/69
6,450,231 B1 * 9/2002 Ishikawa 156/577
D494,221 S * 8/2004 Suzuki D19/69
D539,351 S * 3/2007 Mitsui et al. D19/69
D543,239 S * 5/2007 Suzuki D19/69

FIG. 5 is a left side view of the coating film transfer apparatus of the subject invention;

FIG. 6 is a right side view of the coating film transfer apparatus of the subject invention; and,

FIG. 7 is a perspective view of the coating film transfer apparatus of the subject invention.

1 Claim, 7 Drawing Sheets



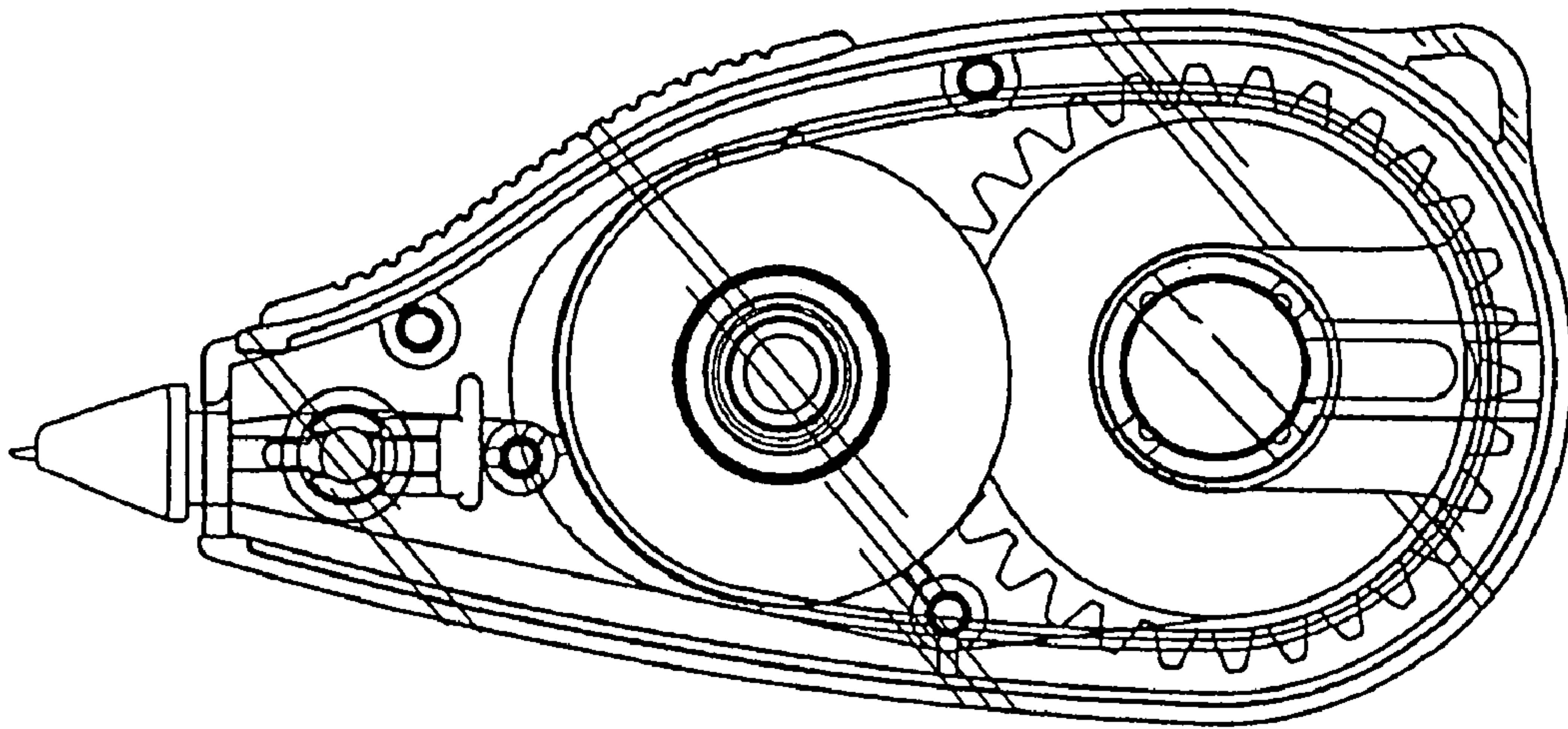


FIG. 1

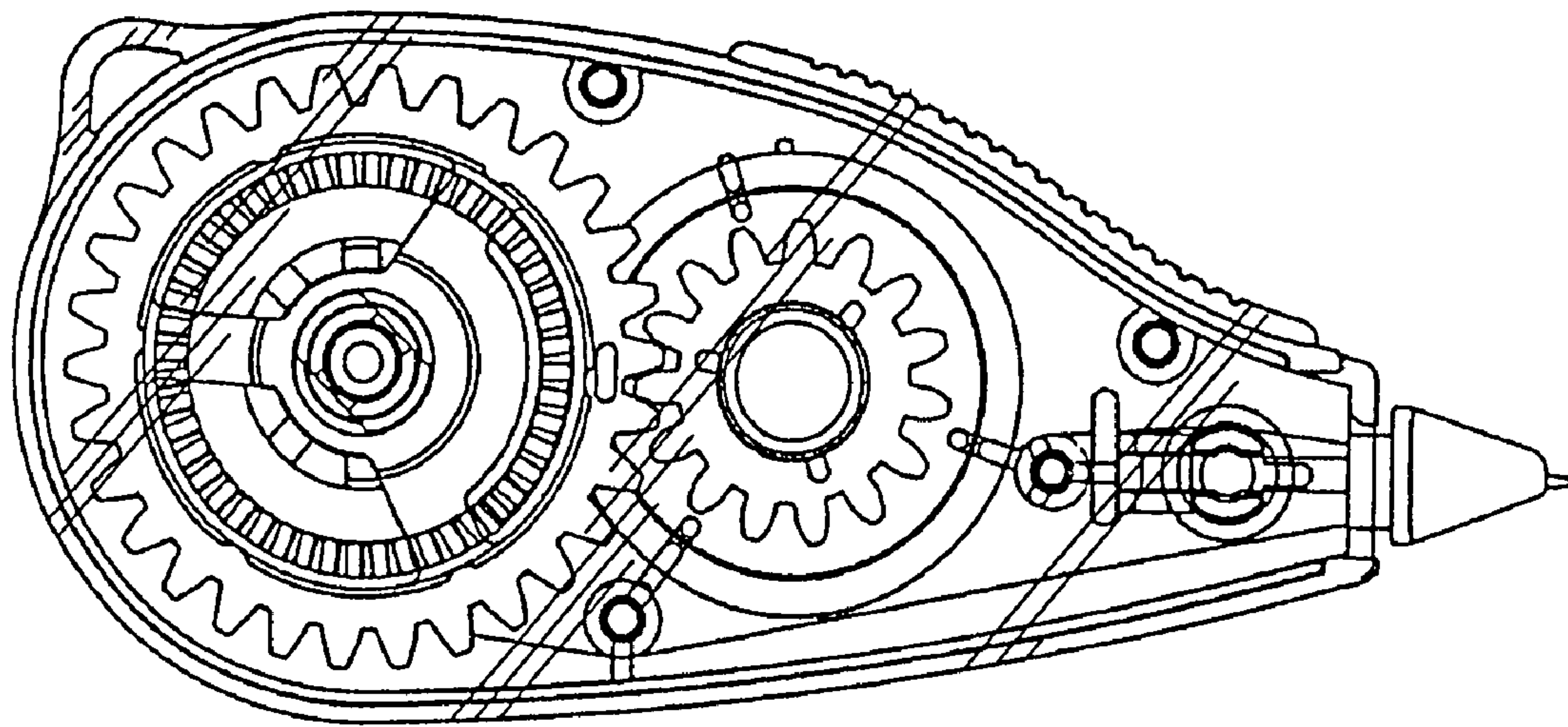


FIG. 2

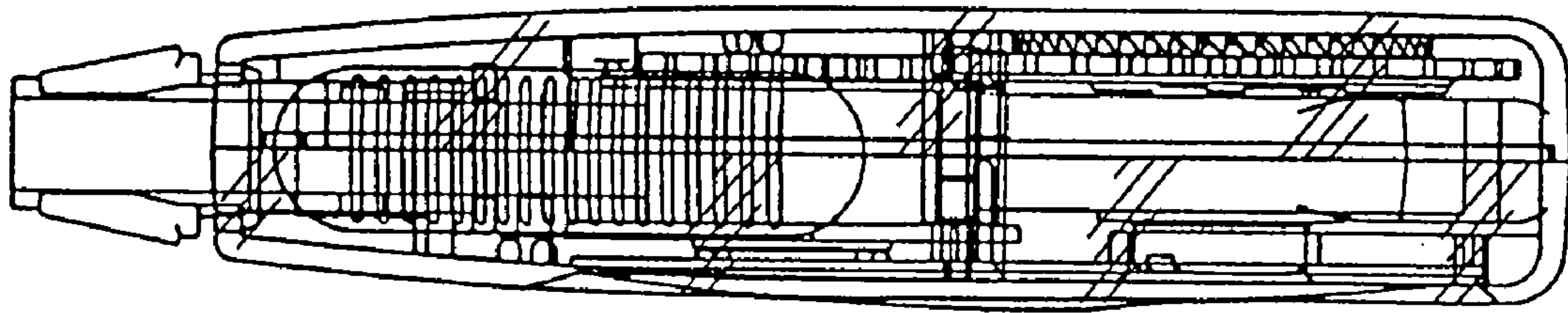


FIG. 3

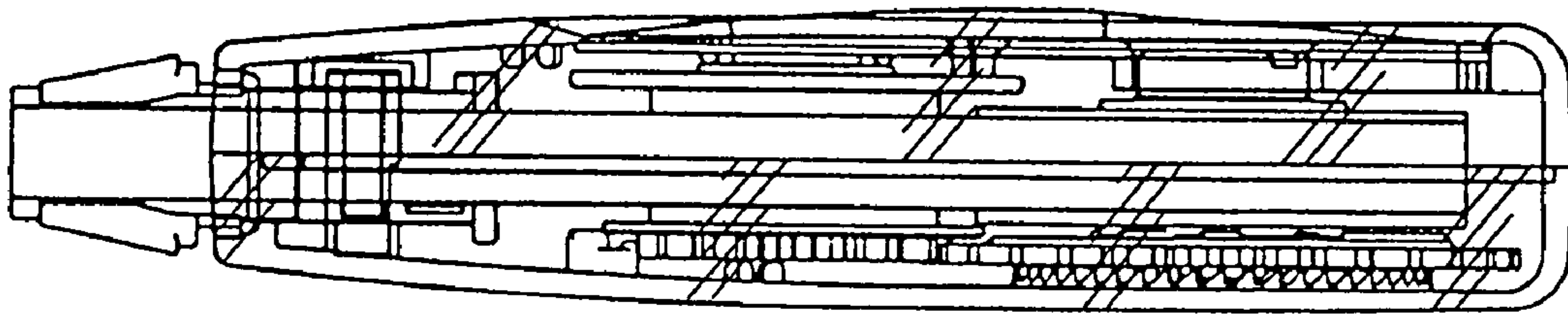


FIG. 4

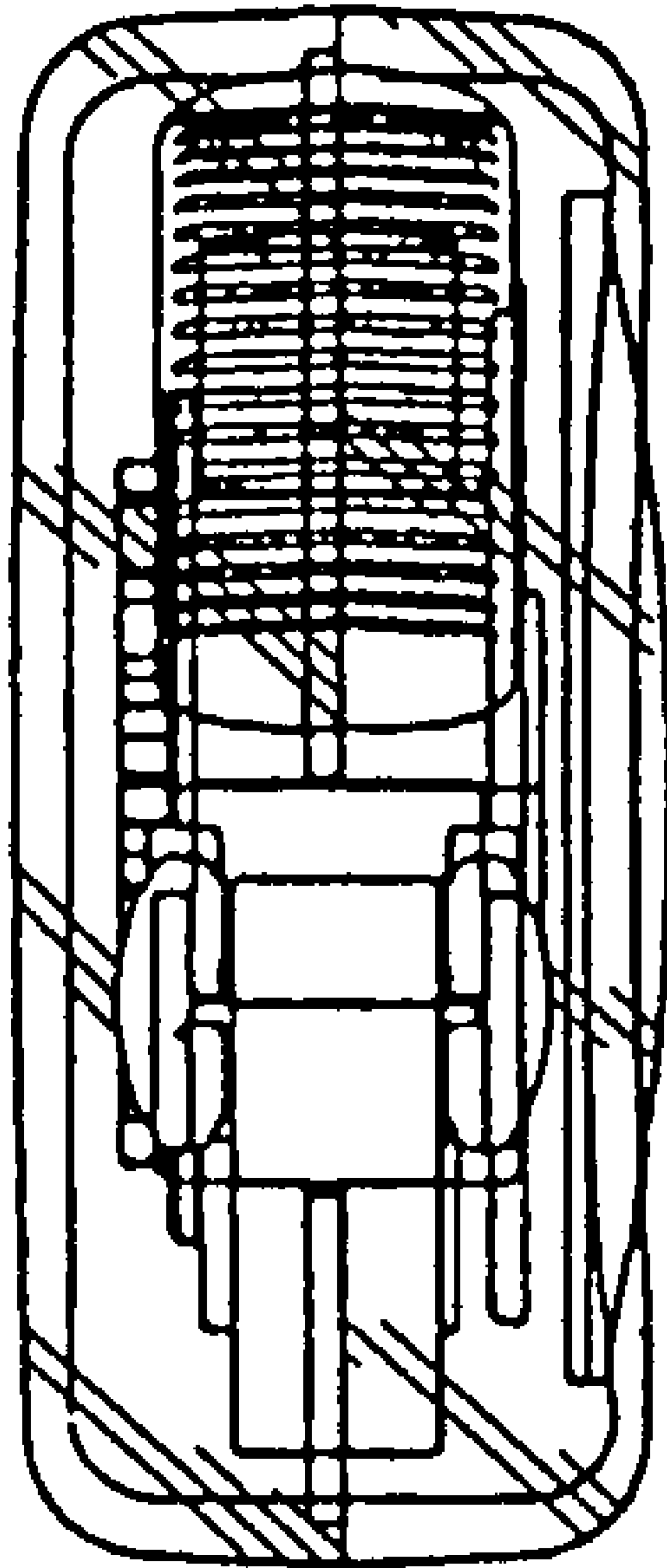


FIG. 5

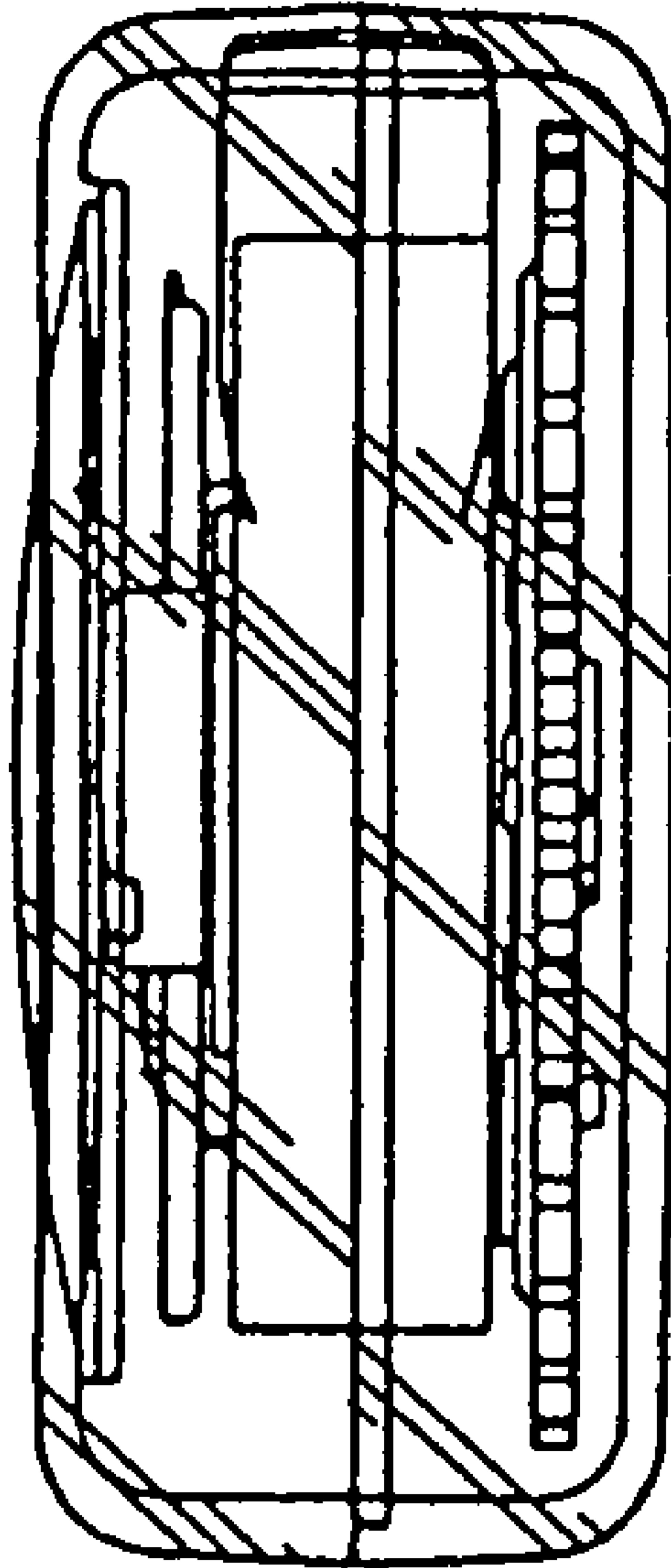


FIG. 6

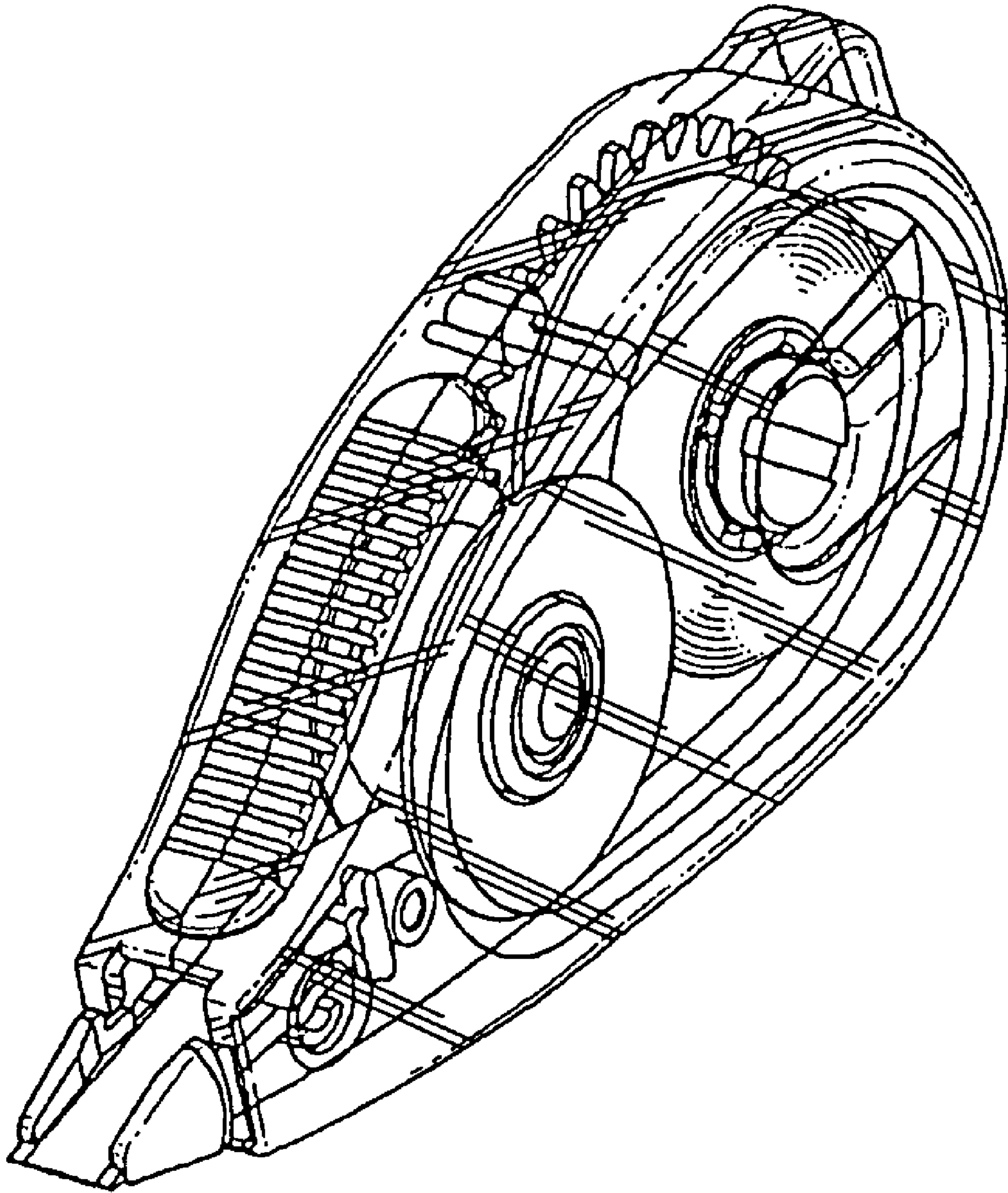


FIG. 7