



US00D574425S

(12) **United States Design Patent**
Hidaka

(10) **Patent No.:** **US D574,425 S**

(45) **Date of Patent:** **** Aug. 5, 2008**

(54) **MULTI-FUNCTION COPYING MACHINE**

D557,736 S * 12/2007 Horiguchi et al. D18/39
D558,818 S * 1/2008 Yonekawa et al. D18/39
D559,892 S * 1/2008 Horiguchi et al. D18/39

(75) Inventor: **Masataka Hidaka**, Kadoma (JP)

(73) Assignee: **Matsushita Electric Industrial Co., Ltd.**, Osaka (JP)

* cited by examiner

(**) Term: **14 Years**

Primary Examiner—Caron D. Veynar

Assistant Examiner—Garth Rademaker

(21) Appl. No.: **29/285,218**

(74) *Attorney, Agent, or Firm*—Brinks Hofer Gilson & Lione

(22) Filed: **Mar. 23, 2007**

(57) **CLAIM**

(51) **LOC (8) Cl.** **16-03**

I claim the ornamental design for a multi-function copying machine, as shown and described.

(52) **U.S. Cl.** **D18/40**

(58) **Field of Classification Search** D8/303,
D8/313-316, 319, 320; D18/36-41, 44-56;
355/97; 399/1-7, 16, 75, 81, 361, 365
See application file for complete search history.

DESCRIPTION

(56) **References Cited**

U.S. PATENT DOCUMENTS

D196,833 S *	11/1963	Smith	D8/319
D201,161 S *	5/1965	Morgan et al.	D8/319
D402,528 S *	12/1998	Brucker	D8/313
D404,419 S	1/1999	Kusanagi		
D421,043 S	2/2000	Shibata et al.		
D438,559 S	3/2001	Matsumoto et al.		
D439,605 S	3/2001	Ichi et al.		
D451,124 S	11/2001	Isomoto		
D458,298 S	6/2002	Katsuyama et al.		
D473,587 S	4/2003	Agata et al.		
D486,851 S	2/2004	Ohashi		
D489,957 S *	5/2004	Lane	D8/313
D493,817 S	8/2004	Yoshida et al.		
D502,210 S	2/2005	Katori et al.		
D529,077 S	9/2006	Takahashi et al.		
D552,447 S *	10/2007	Krumpe et al.	D8/316

FIG. 1 is a top perspective view of a multi-function copying machine of the present invention;

FIG. 2 is a front view thereof;

FIG. 3 is a rear view thereof;

FIG. 4 is a right side view thereof;

FIG. 5 is a left side view thereof;

FIG. 6 is a top view thereof;

FIG. 7 is a bottom view thereof;

FIG. 8 is a cross-section view taken along the line 8—8 of FIG. 2;

FIG. 9 is a cross-section view taken along the line 9—9 of FIG. 2; and,

FIG. 10 is a cross-section view taken along the line 10—10 of FIG. 2.

The broken lines depict environmental subject matter only and form no part of the claimed design.

1 Claim, 10 Drawing Sheets

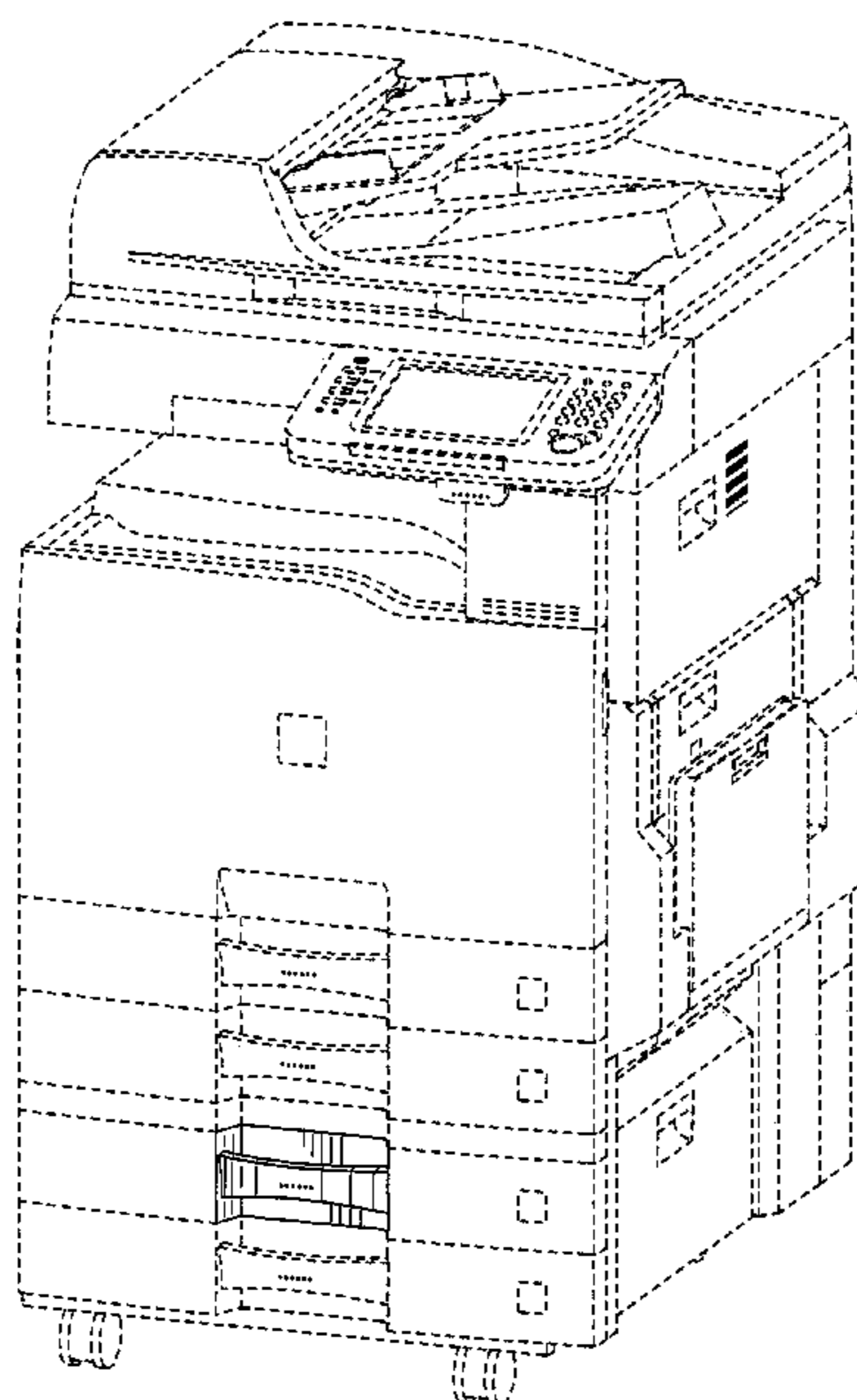


FIG.1

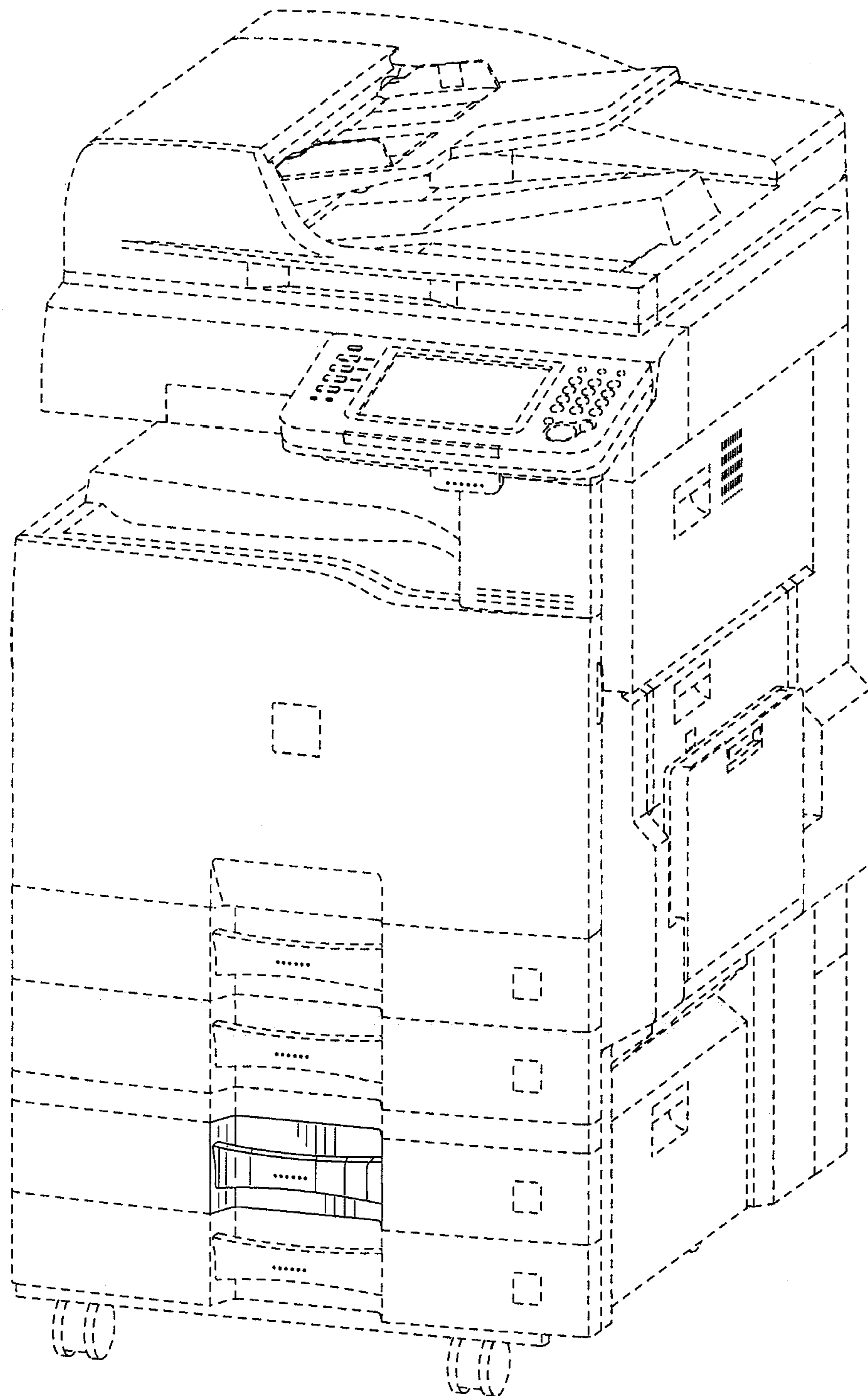


FIG.2

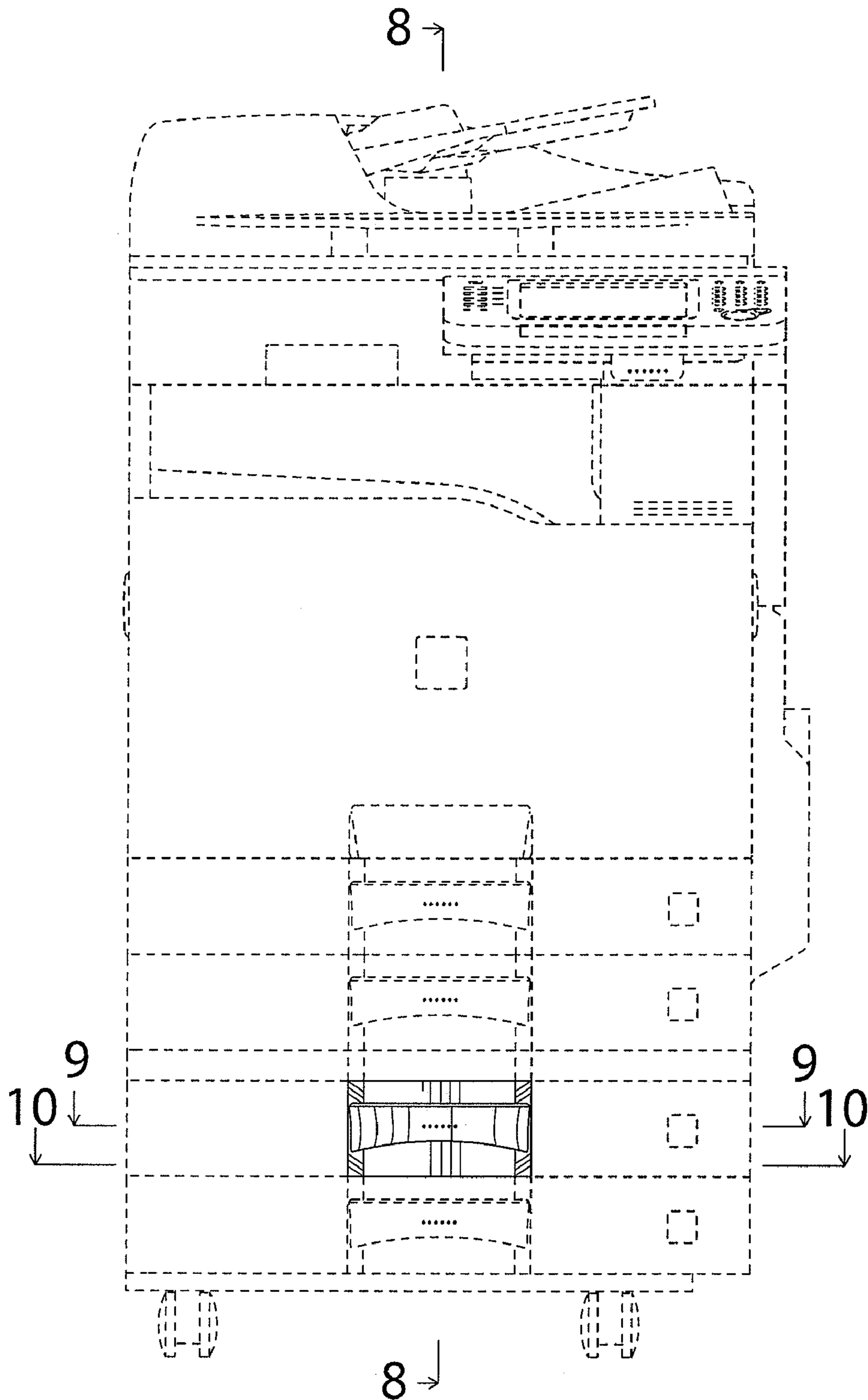


FIG.3

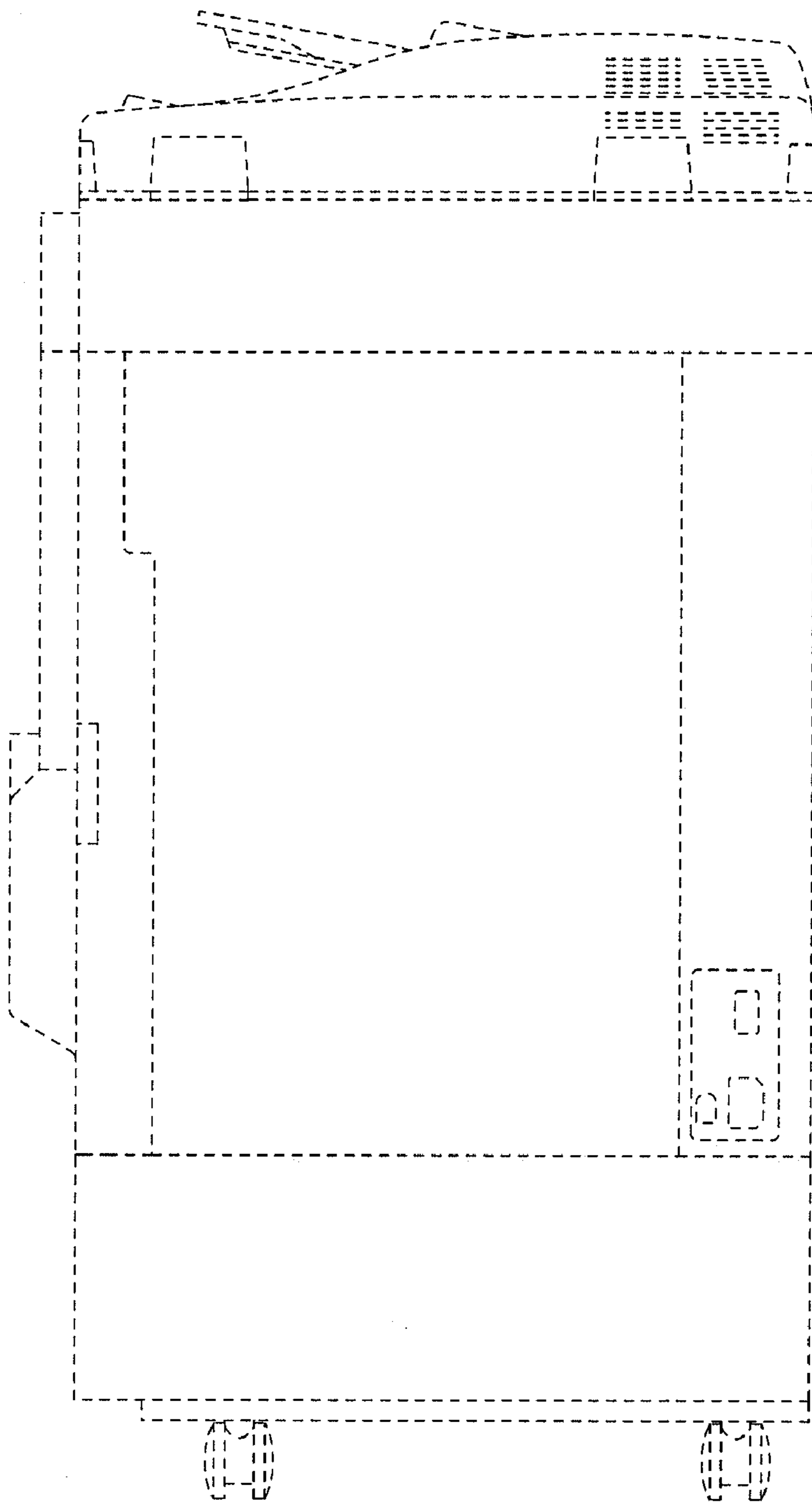


FIG.4

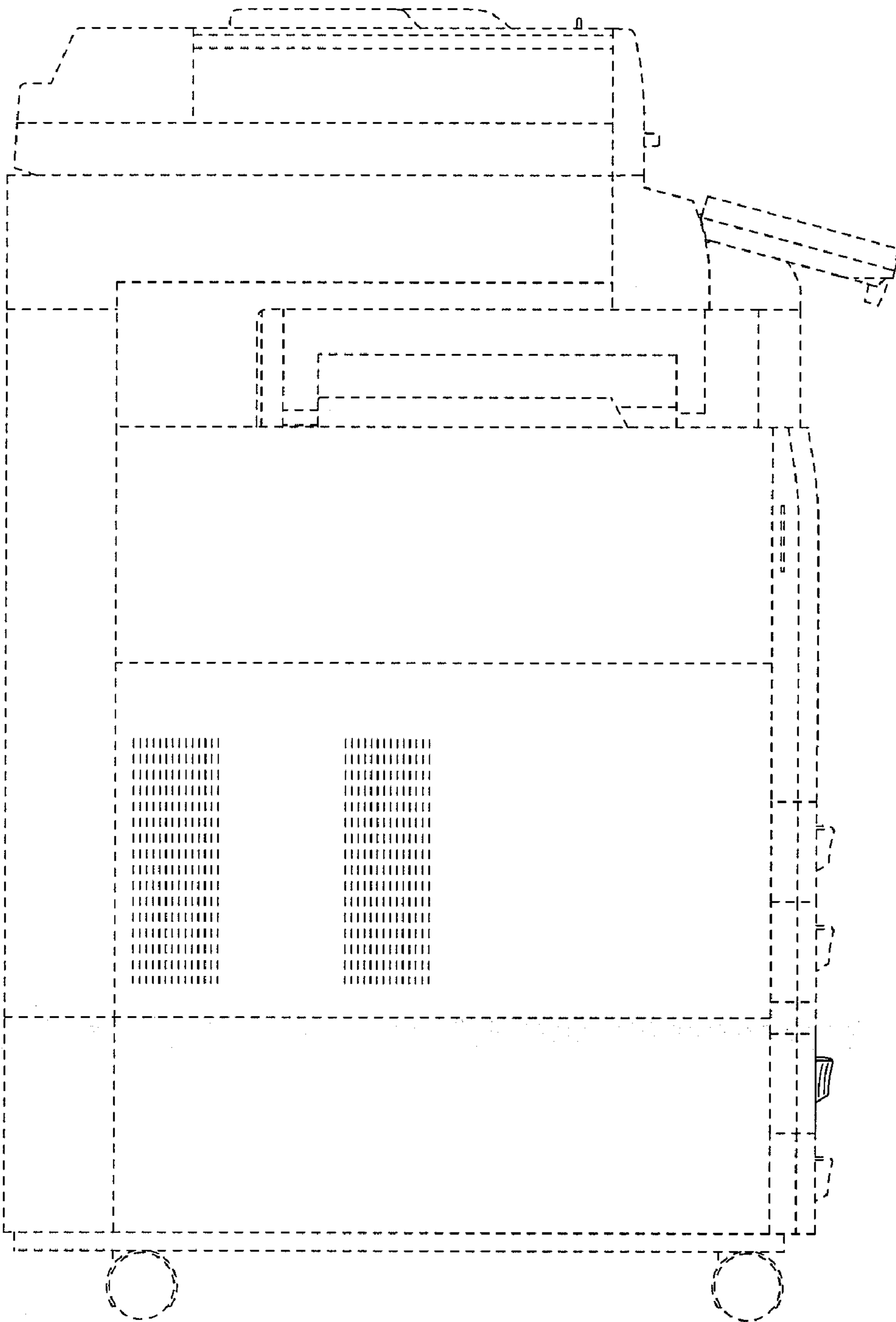


FIG.5

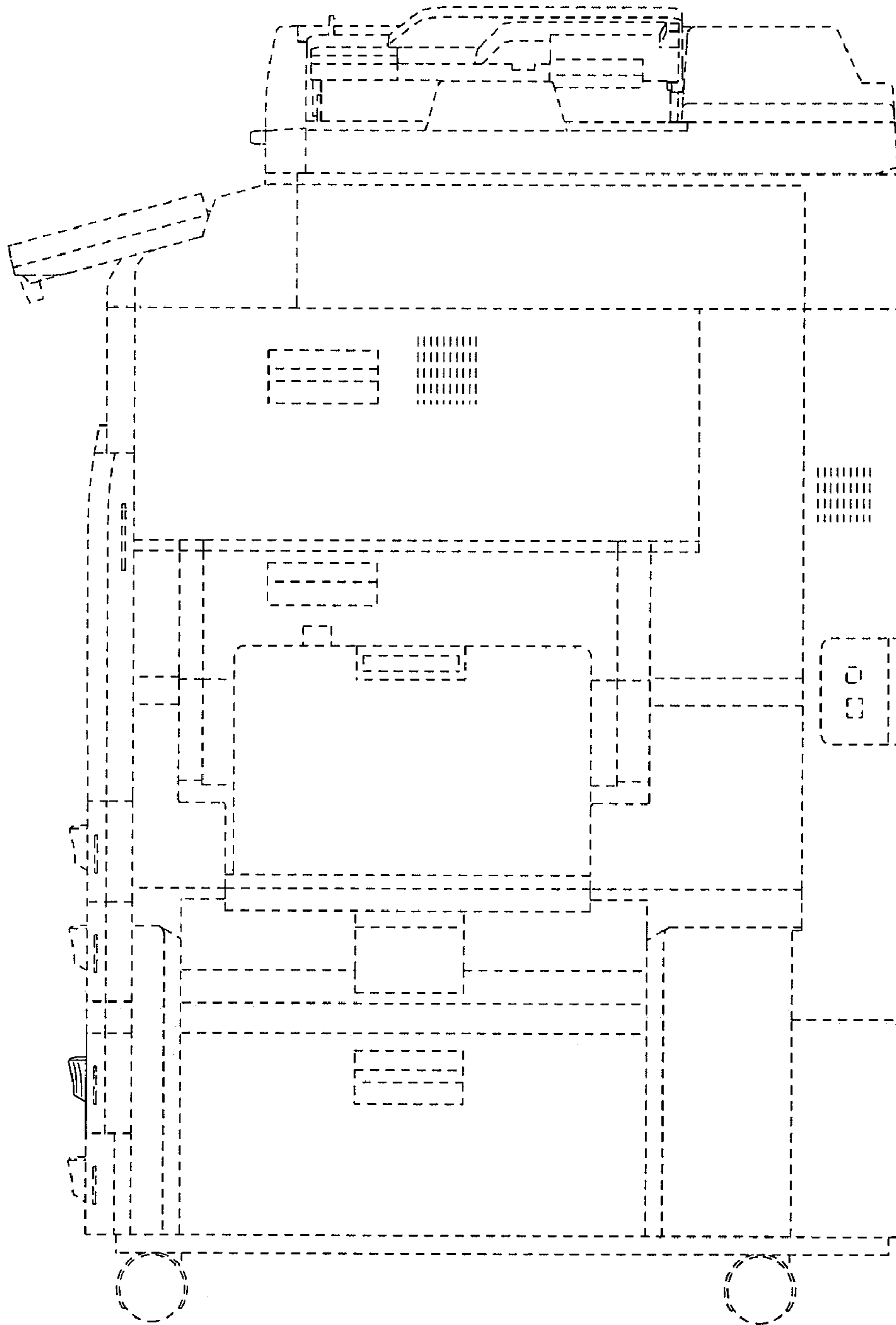


FIG.6

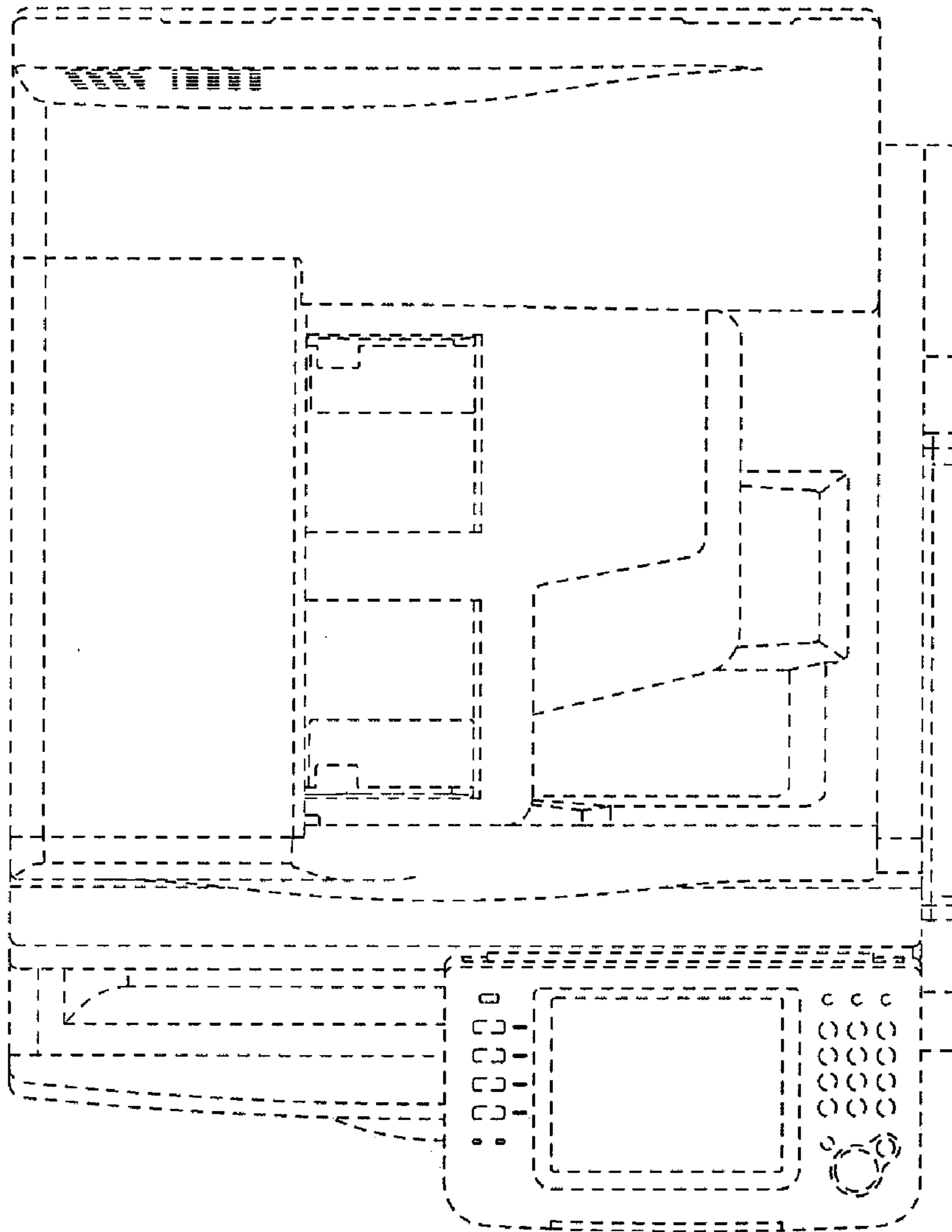


FIG.7

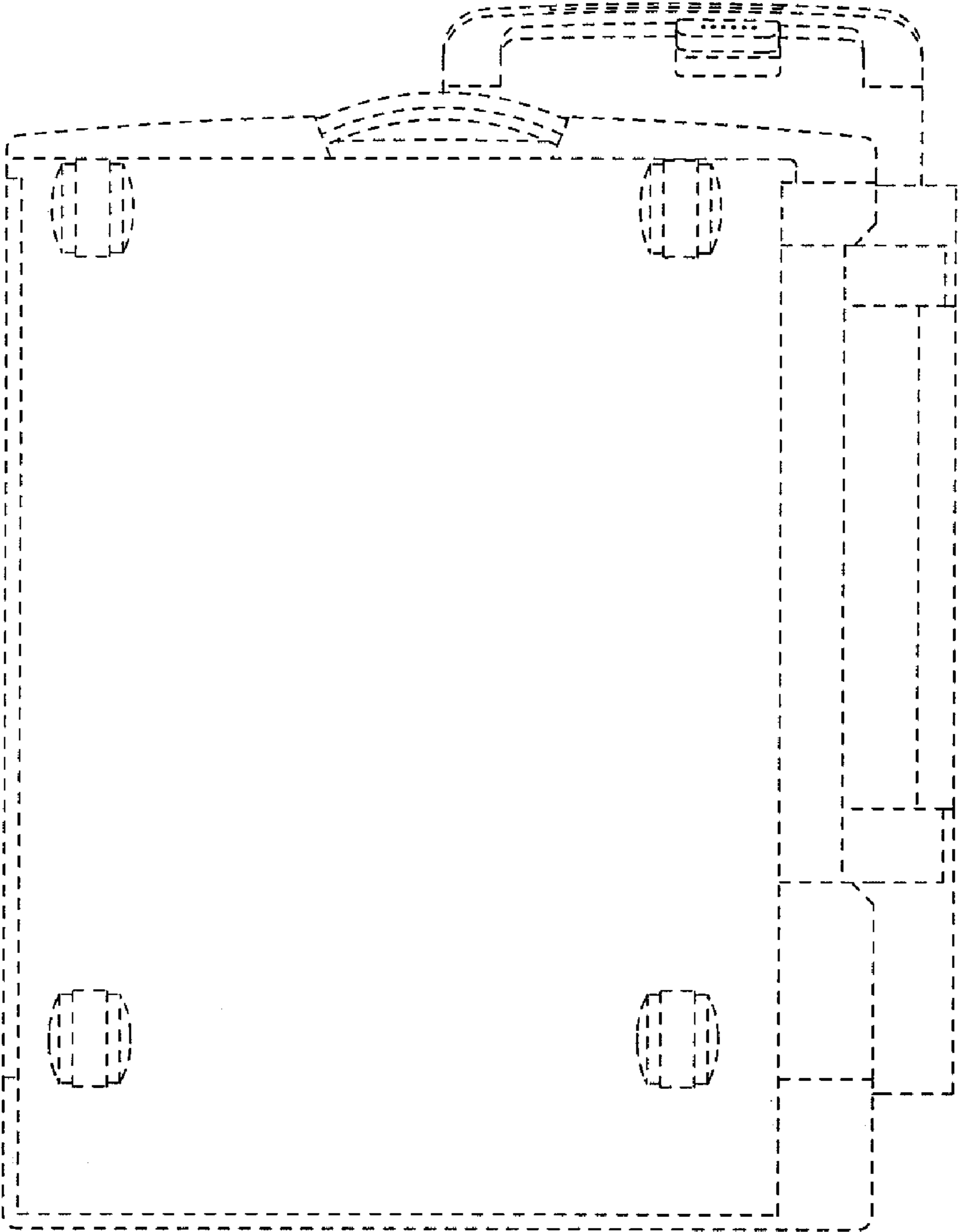


FIG.8

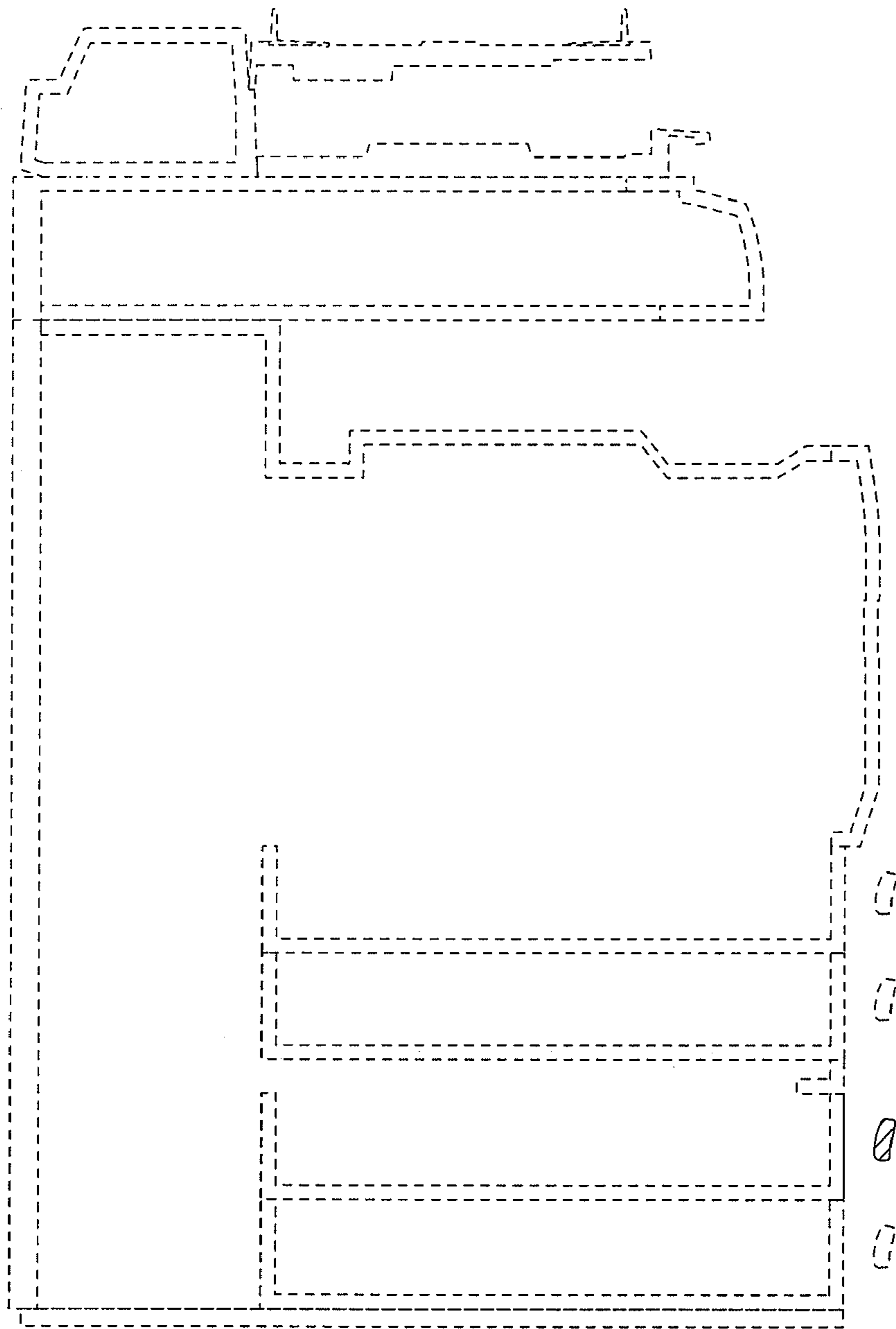


FIG.9

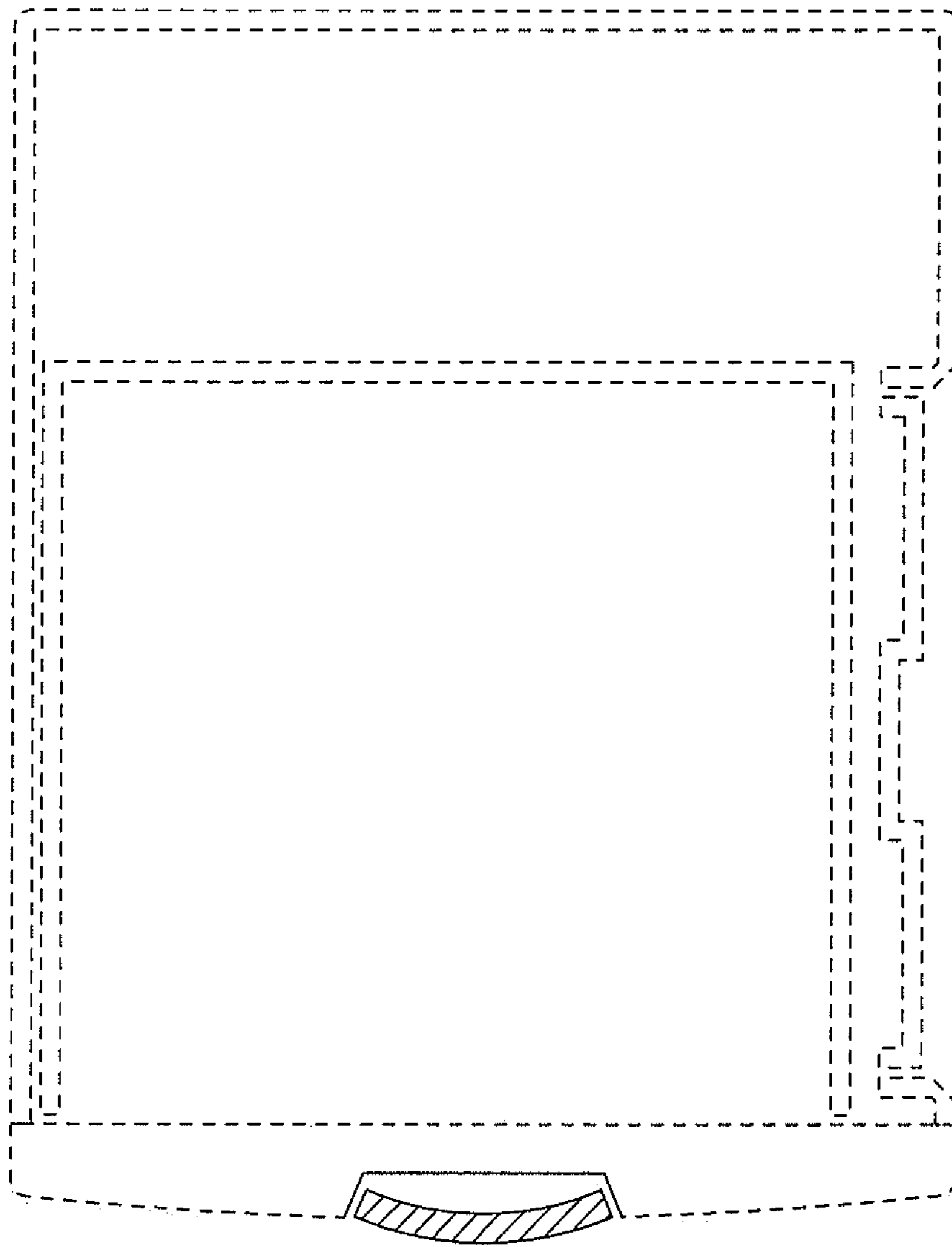


FIG.10

