

US00D574422S

(12) **United States Design Patent**  
**Gaze et al.**

(10) **Patent No.:** **US D574,422 S**

(45) **Date of Patent:** **\*\* Aug. 5, 2008**

(54) **DOCUMENT HANDLING APPARATUS**

(75) Inventors: **Martin Gaze**, Surrey (GB); **Angus Davidson**, Surrey (GB)

(73) Assignee: **De La Rue International Limited**, Basingstoke (GB)

(\*\*) Term: **14 Years**

(21) Appl. No.: **29/287,852**

(22) Filed: **Sep. 27, 2007**

(30) **Foreign Application Priority Data**

Apr. 5, 2007 (EM) ..... 000705769-0003

(51) **LOC (8) Cl.** ..... **18-01**

(52) **U.S. Cl.** ..... **D18/3.3; D14/308**

(58) **Field of Classification Search** ..... D14/308,  
D14/314, 441; D18/3.1-3.3, 4.1-4.6, 12.1-12.3,  
D18/46-49; D99/28, 34, 35, 43, 99; 209/534;  
382/135

See application file for complete search history.

(56) **References Cited**

**U.S. PATENT DOCUMENTS**

D81,411 S *	6/1930	Shiple	.....	D18/4.2
D103,626 S *	3/1937	Beria	.....	D18/4.2
D422,274 S *	4/2000	Jean et al.	.....	D14/441
D439,254 S *	3/2001	Zhao	.....	D14/441
D445,124 S *	7/2001	Naito	.....	D18/3.3

D454,421 S *	3/2002	Jeon et al.	.....	D99/28
D477,349 S *	7/2003	Osada	.....	D18/3.1
D477,350 S *	7/2003	Gonzalez	.....	D18/3.1
D481,519 S *	10/2003	Lee	.....	D99/34
6,864,990 B1 *	3/2005	Nickerson et al.	.....	382/135
D534,705 S *	1/2007	Kang et al.	.....	D99/28
2002/0108891 A1 *	8/2002	Dunlop et al.	.....	209/534

\* cited by examiner

*Primary Examiner*—Caron D. Veynar

*Assistant Examiner*—Garth Rademaker

(74) *Attorney, Agent, or Firm*—Oliff & Berridge, PLC

(57) **CLAIM**

The ornamental design for a document handling apparatus, as shown and described.

**DESCRIPTION**

FIG. 1 is a perspective view of a document handling apparatus;

FIG. 2 is a front view thereof;

FIG. 3 is a top view thereof;

FIG. 4 is a right-side view thereof;

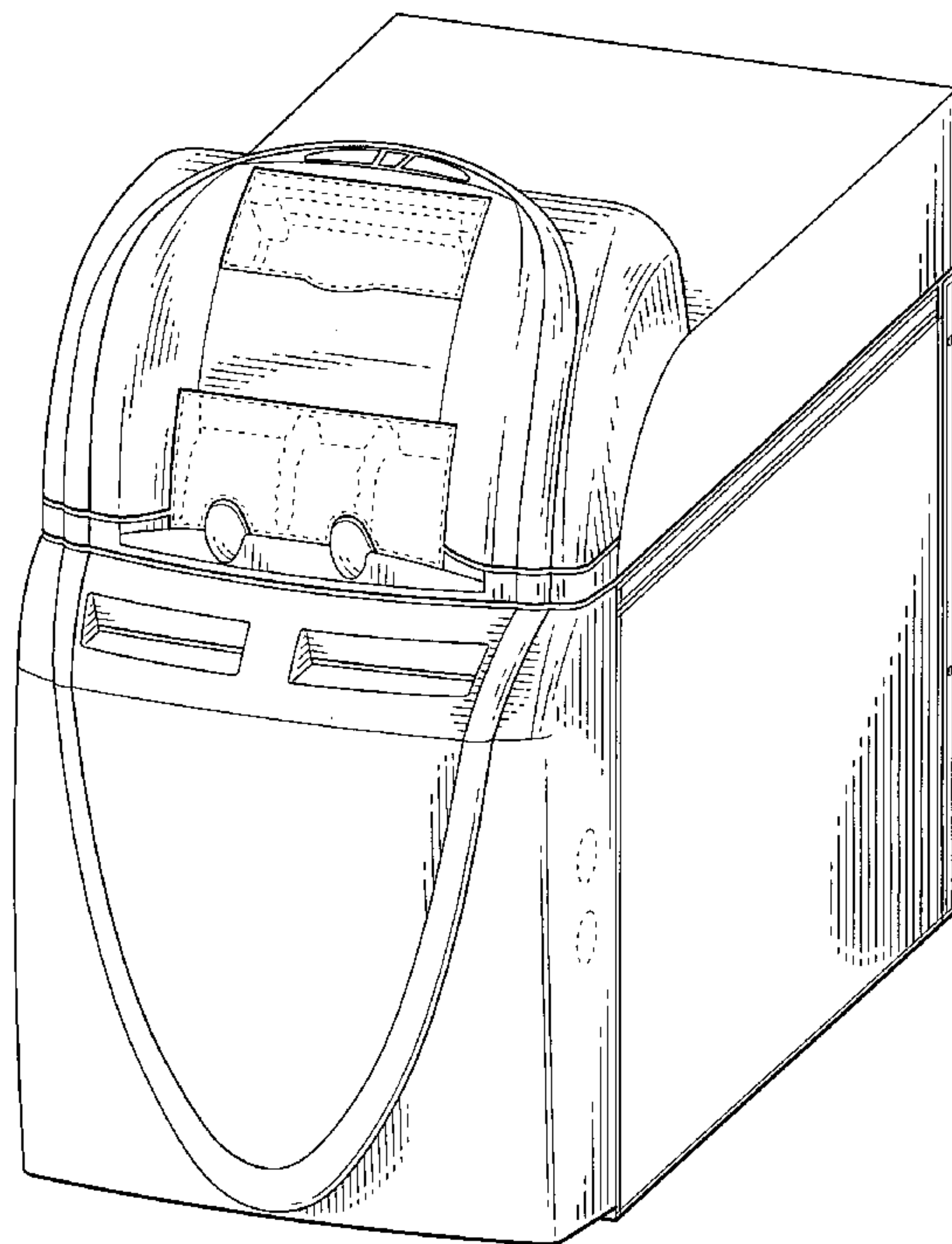
FIG. 5 is a left-side view thereof;

FIG. 6 is a bottom view thereof; and,

FIG. 7 is a rear view thereof.

The broken lines depict environmental subject matter only and form no part of the claimed design.

**1 Claim, 7 Drawing Sheets**



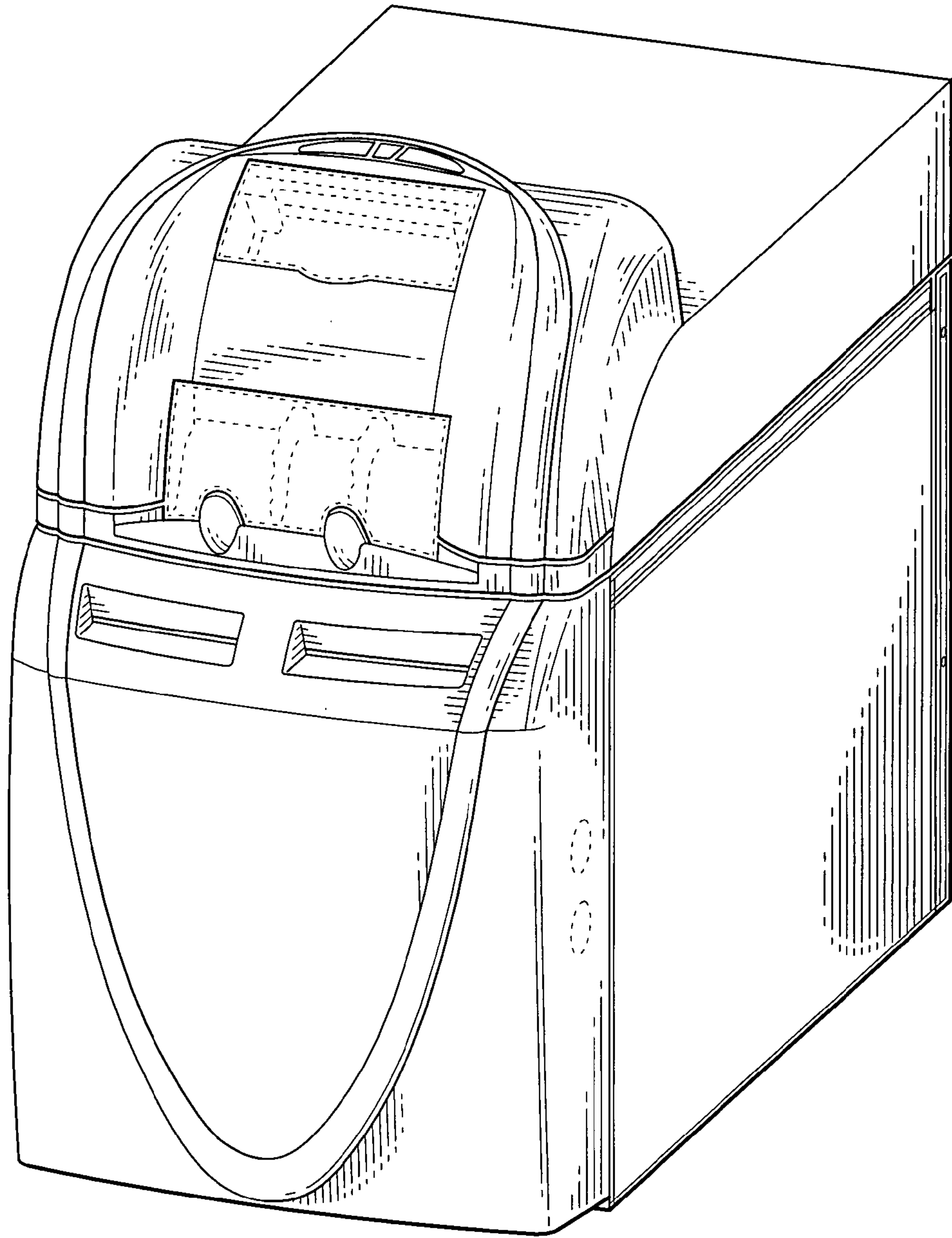


FIG. 1

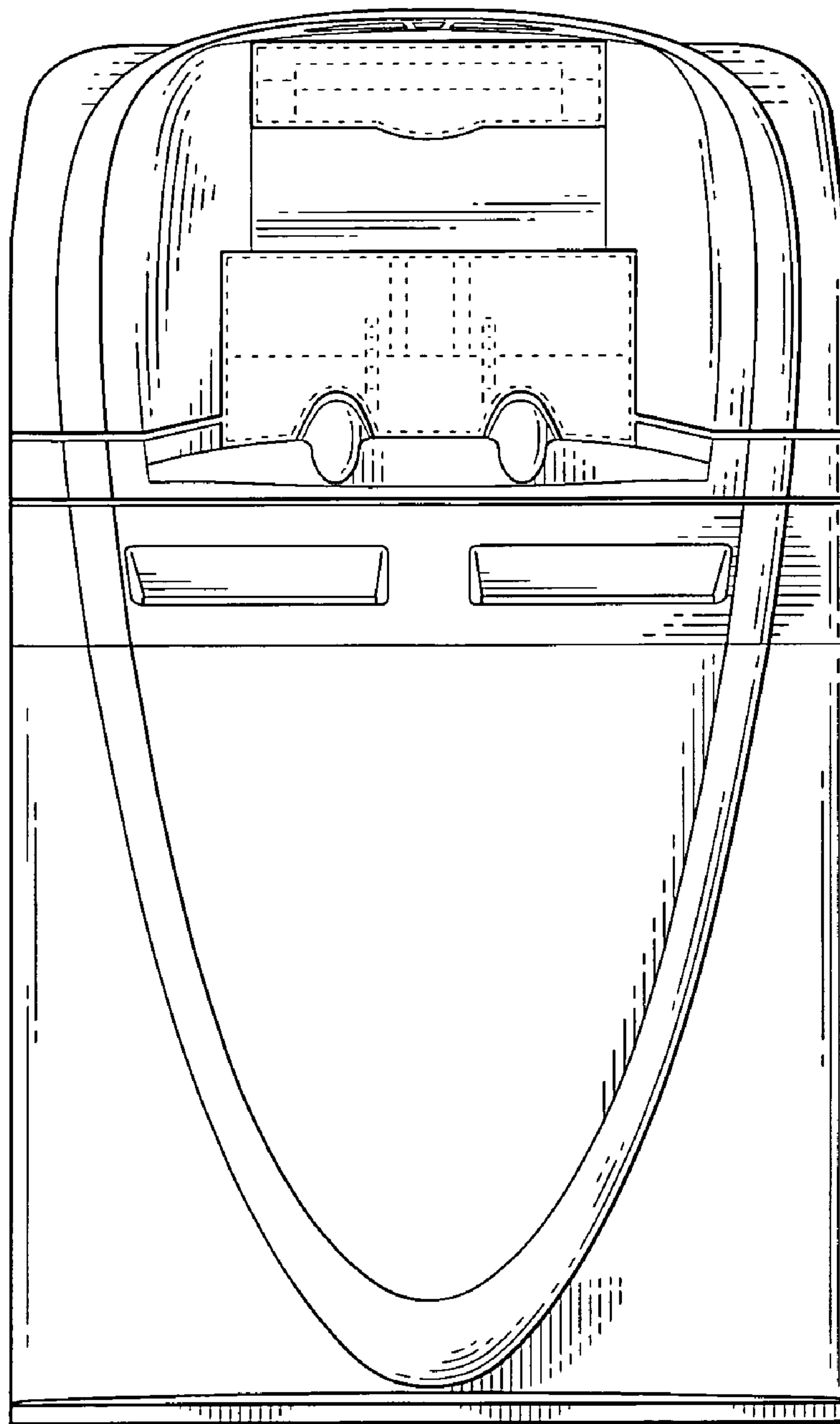


FIG. 2

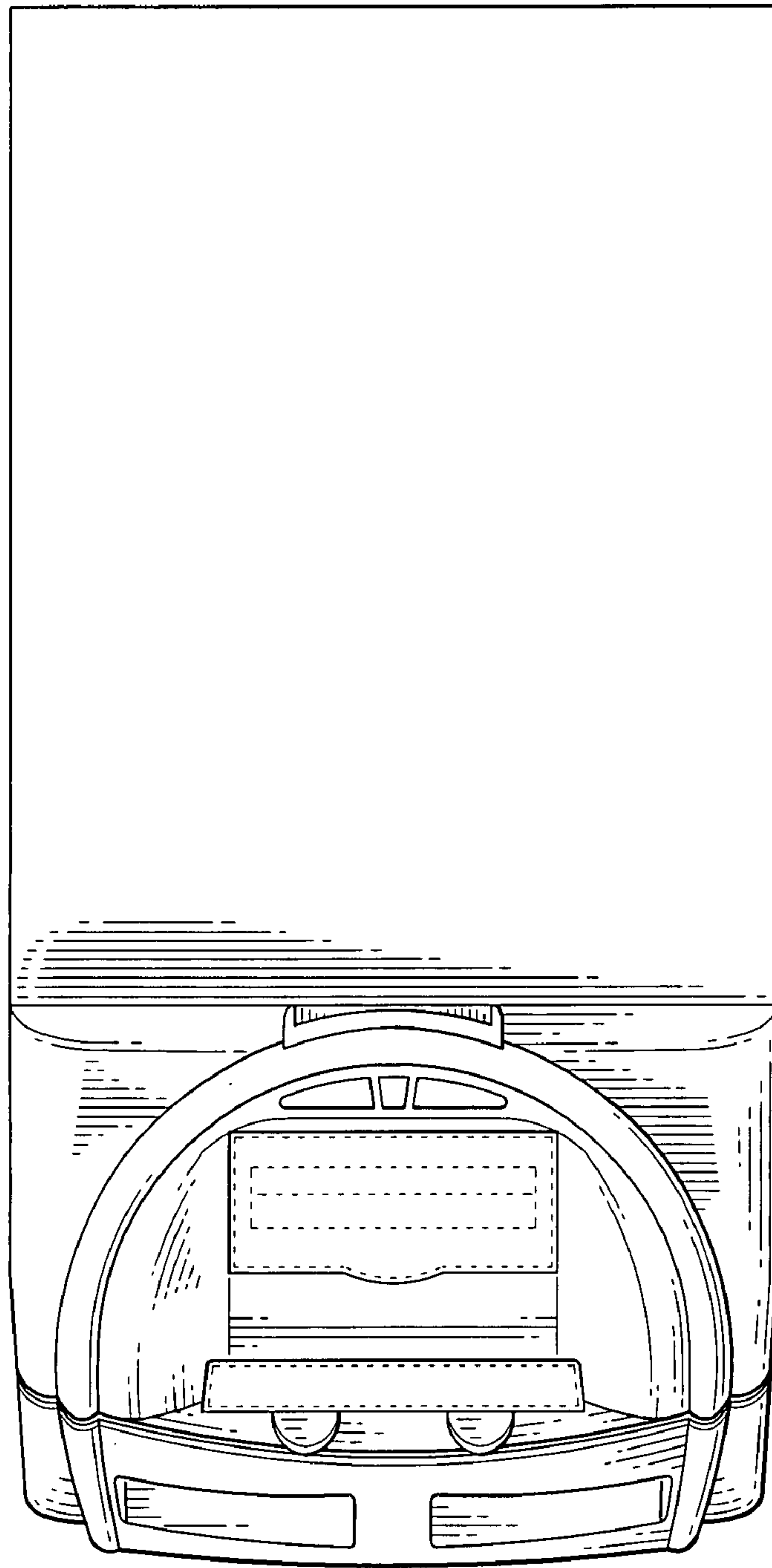


FIG. 3

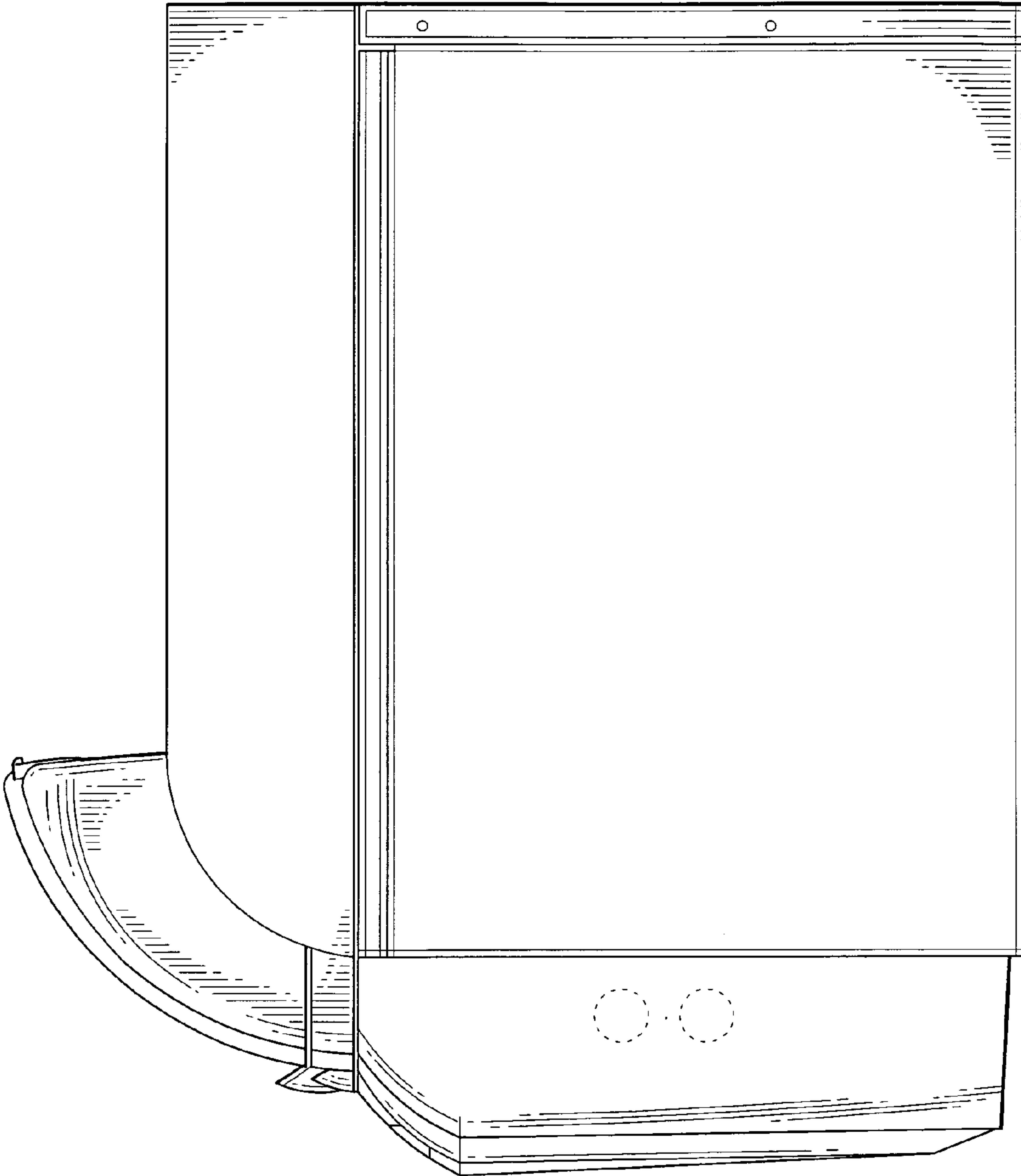


FIG. 4

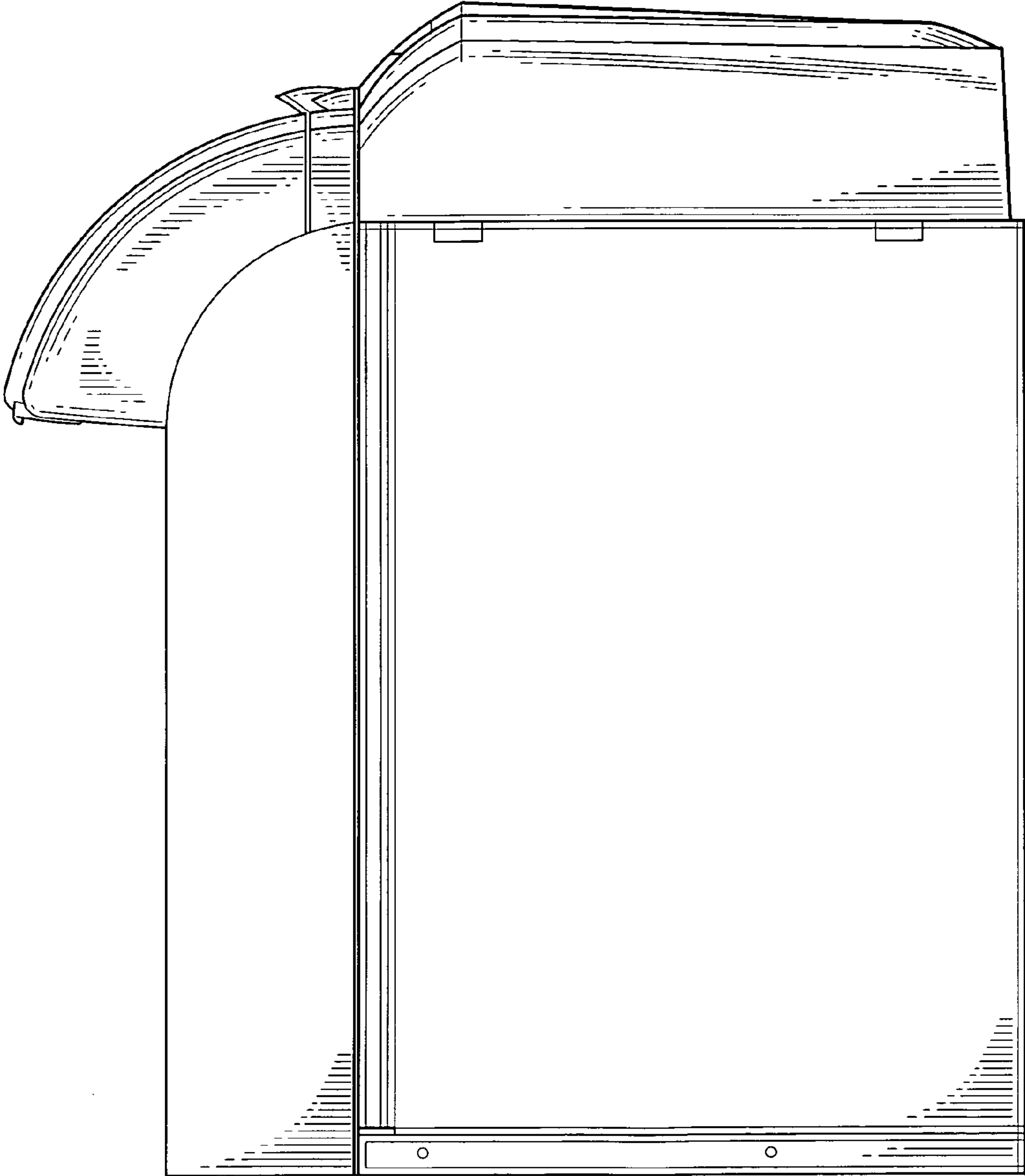


FIG. 5

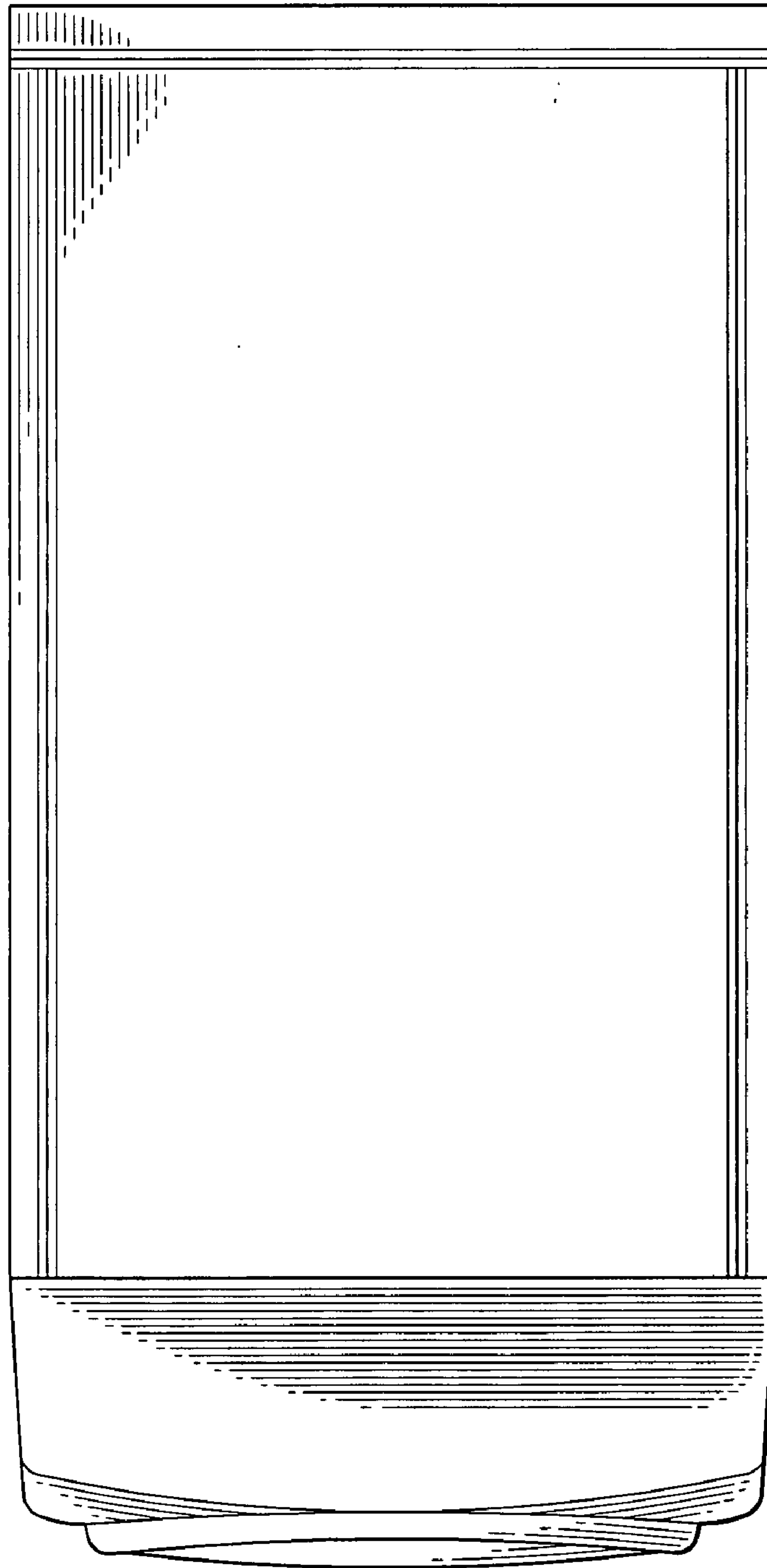


FIG. 6



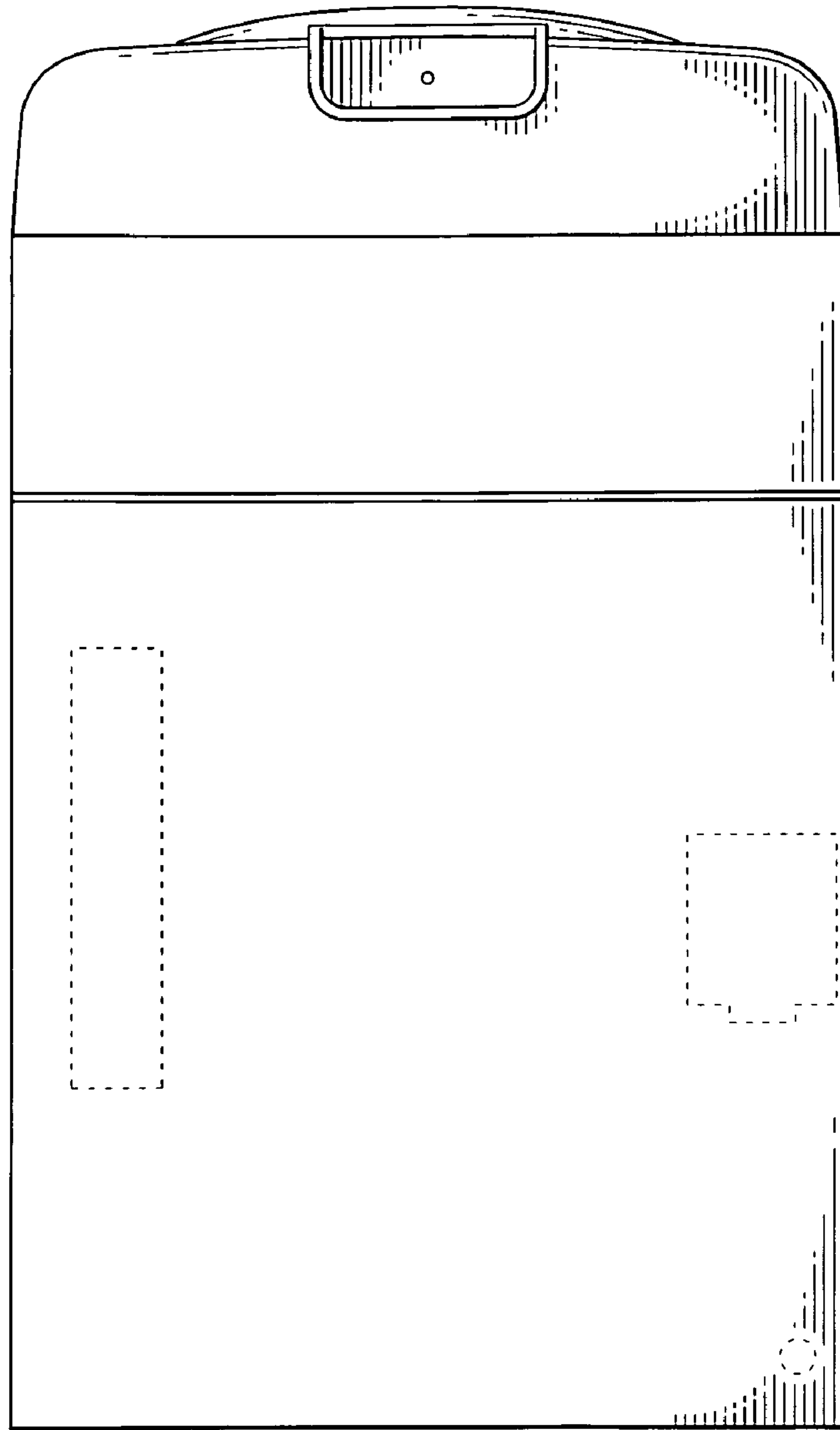


FIG. 7