



US00D574414S

(12) **United States Design Patent**
Kenmochi

(10) **Patent No.:** **US D574,414 S**
(45) **Date of Patent:** **** Aug. 5, 2008**

(54) **KEY ROD MOUNTING POST FOR WIND INSTRUMENT**

(75) Inventor: **Hisashi Kenmochi**, Hamamatsu (JP)

(73) Assignee: **Yamaha Corporation**, Shizuoka (JP)

(**) Term: **14 Years**

(21) Appl. No.: **29/274,705**

(22) Filed: **May 17, 2007**

(30) **Foreign Application Priority Data**

Dec. 6, 2006 (JP) 2006-033635

(51) **LOC (8) Cl.** **17-02**

(52) **U.S. Cl.** **D17/13**

(58) **Field of Classification Search** D17/10,
D17/13, 99; 84/380 R, 380 C, 381, 382,
84/385 A, 385 R, 386, 453; 984/145

See application file for complete search history.

(56) **References Cited**

U.S. PATENT DOCUMENTS

1,345,486	A *	7/1920	Gulick	84/385 R
1,567,003	A *	12/1925	Gulick	84/385 R
D110,493	S *	7/1938	Olds	D17/10
2,744,435	A *	5/1956	Anderson et al.	84/380 R
3,421,398	A *	1/1969	Hampel et al.	84/380 R
3,865,005	A *	2/1975	Carree	84/380 R
4,453,445	A *	6/1984	Todd	84/385 R
4,669,351	A *	6/1987	Ono	84/380 R
5,038,656	A *	8/1991	Anderson	84/380 R

5,841,048	A *	11/1998	Winter et al.	84/380 R
5,898,116	A *	4/1999	Lin	84/380 R
5,900,562	A *	5/1999	Smeding	84/385 P
6,384,306	B1 *	5/2002	Hsieh	84/380 R
6,812,391	B2 *	11/2004	Nagahara	84/380 R
D562,878	S *	2/2008	Laukat et al.	D17/10
2003/0221539	A1 *	12/2003	Chang	84/385 A

OTHER PUBLICATIONS

U.S. Appl. No. 29/274,701, Hisashi Kenmochi, filed May 17, 2007.

* cited by examiner

Primary Examiner—Stella M. Reid

Assistant Examiner—Rashida Johnson

(74) *Attorney, Agent, or Firm*—Sughrue Mion, PLLC

(57) **CLAIM**

The ornamental design for a key rod mounting post for wind instrument, as shown.

DESCRIPTION

FIG. 1 is a perspective view of the top, front, and right side of a key rod mounting post for wind instrument showing my new design;

FIG. 2 is a front elevational view thereof;

FIG. 3 is a rear elevational view thereof;

FIG. 4 is a top plan view thereof;

FIG. 5 is a bottom plan view thereof;

FIG. 6 is a left side elevational view thereof; and,

FIG. 7 is a right side elevational view thereof.

1 Claim, 2 Drawing Sheets

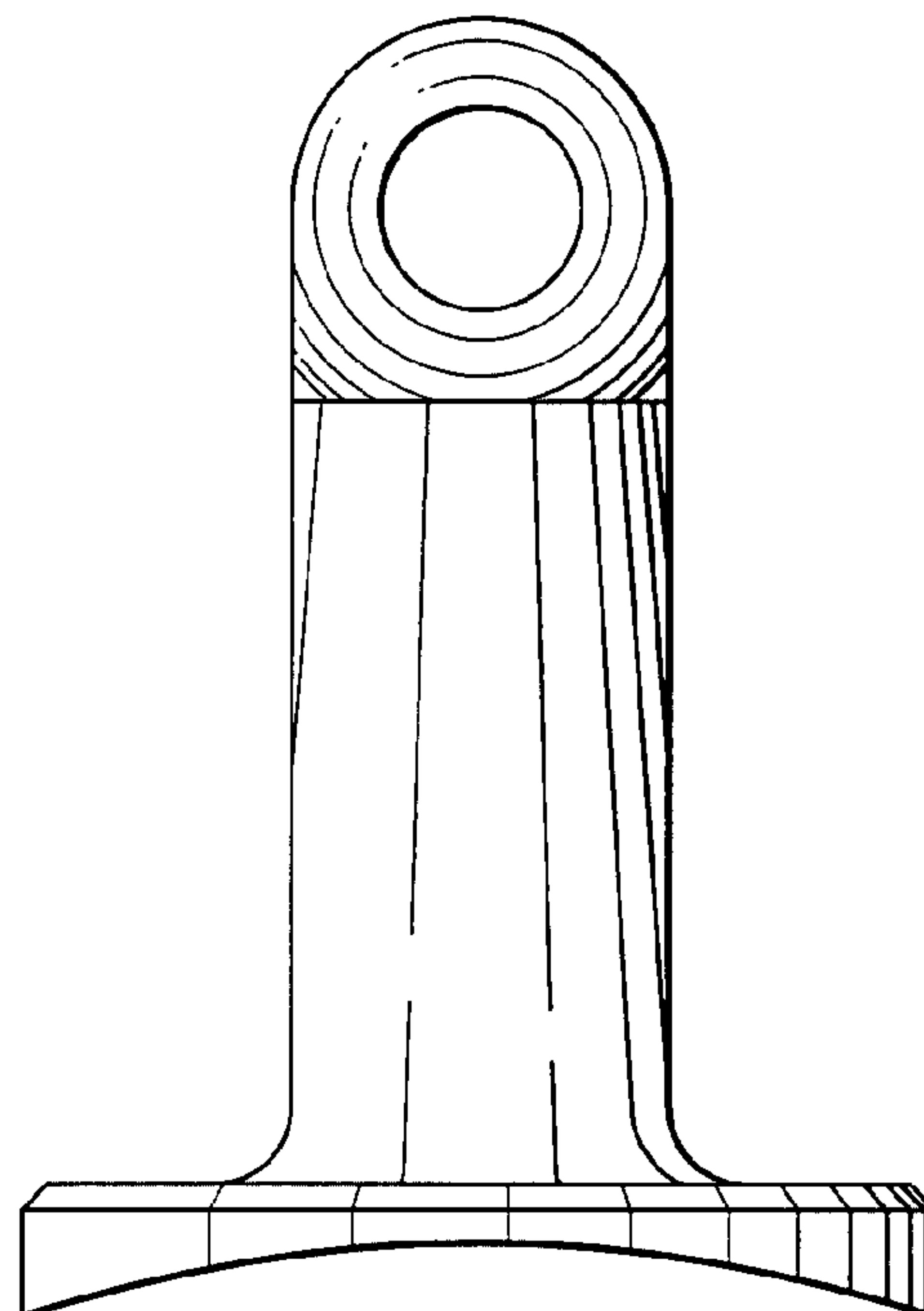
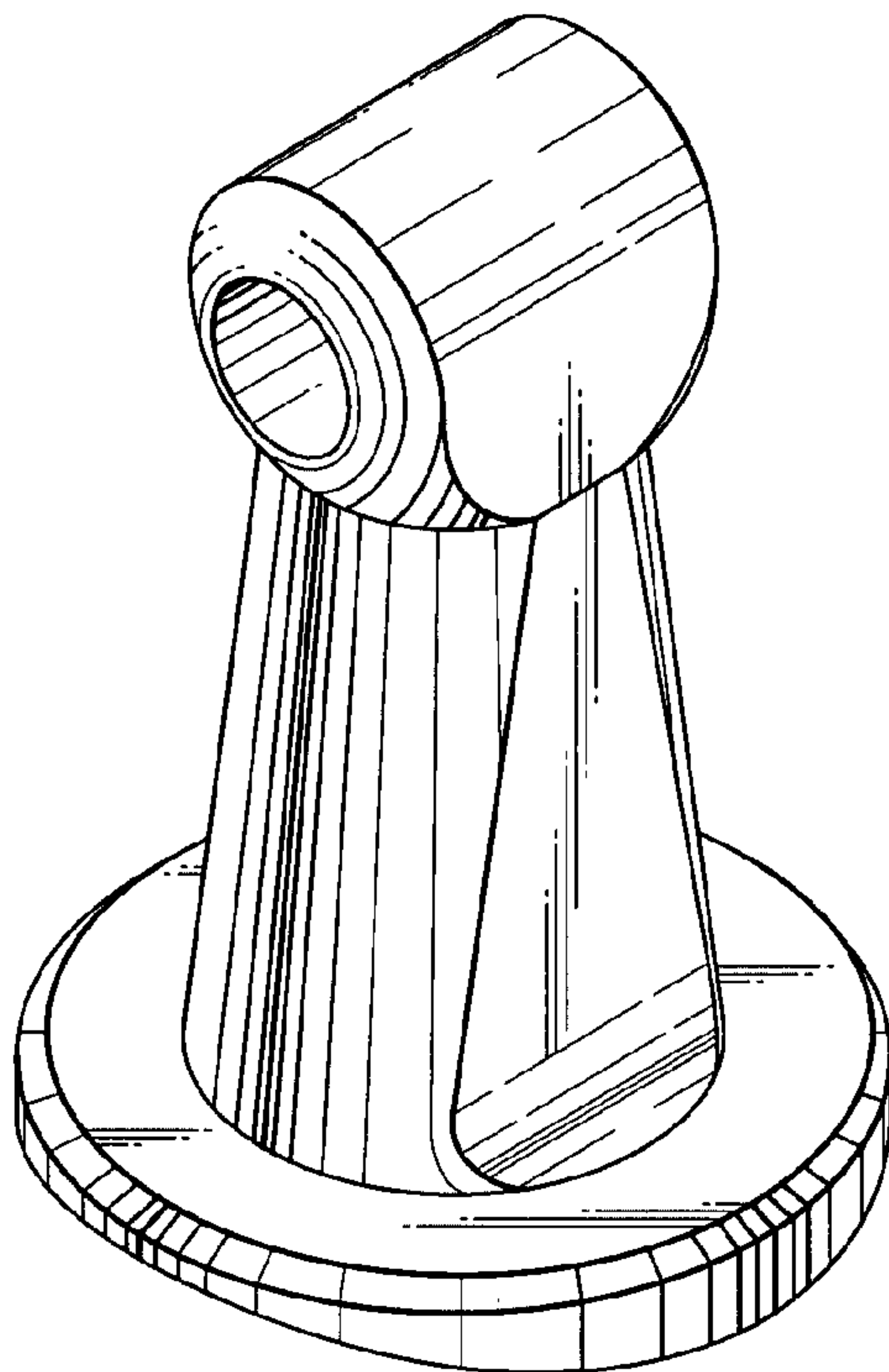


FIG. 1

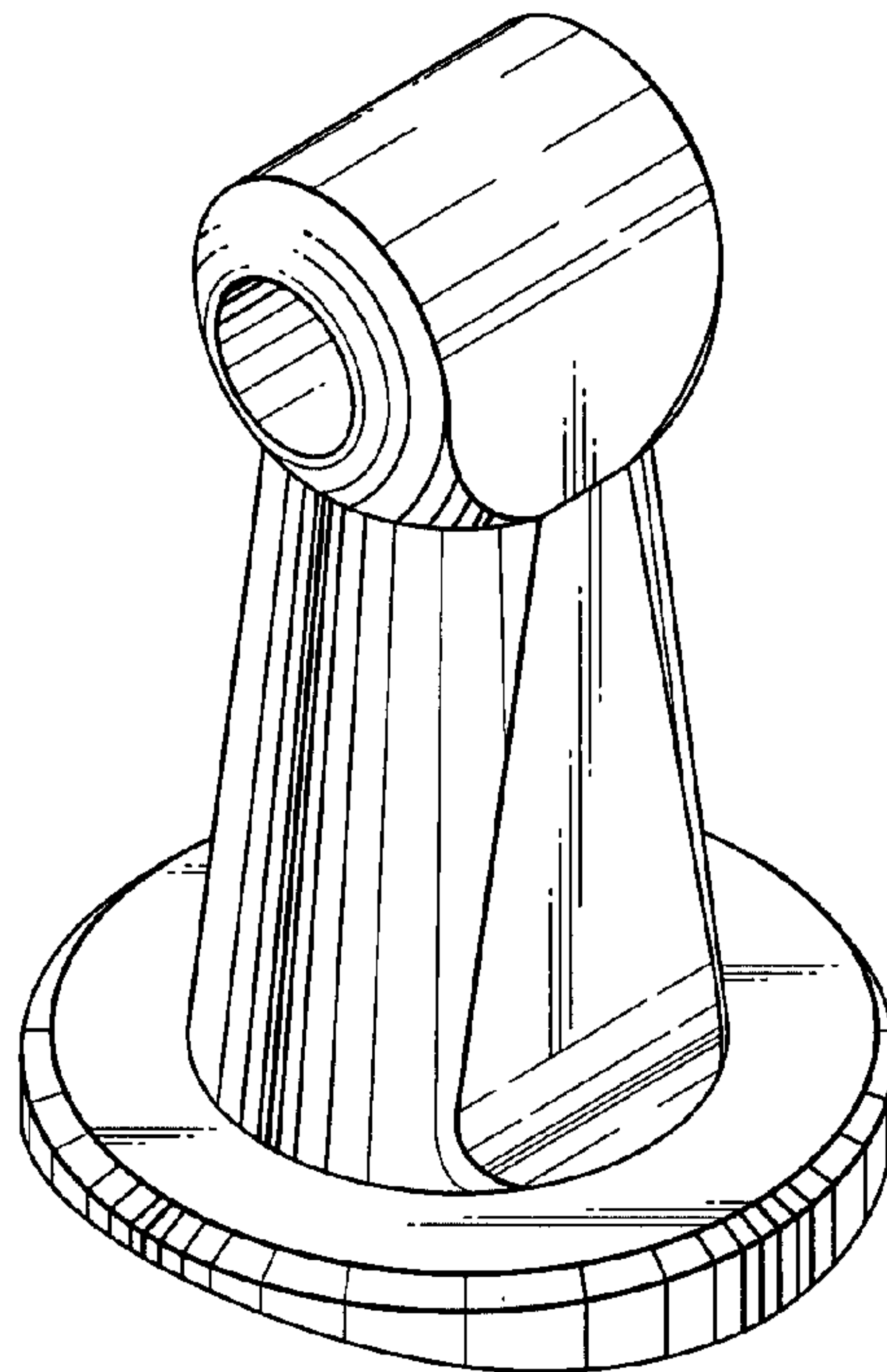


FIG. 2

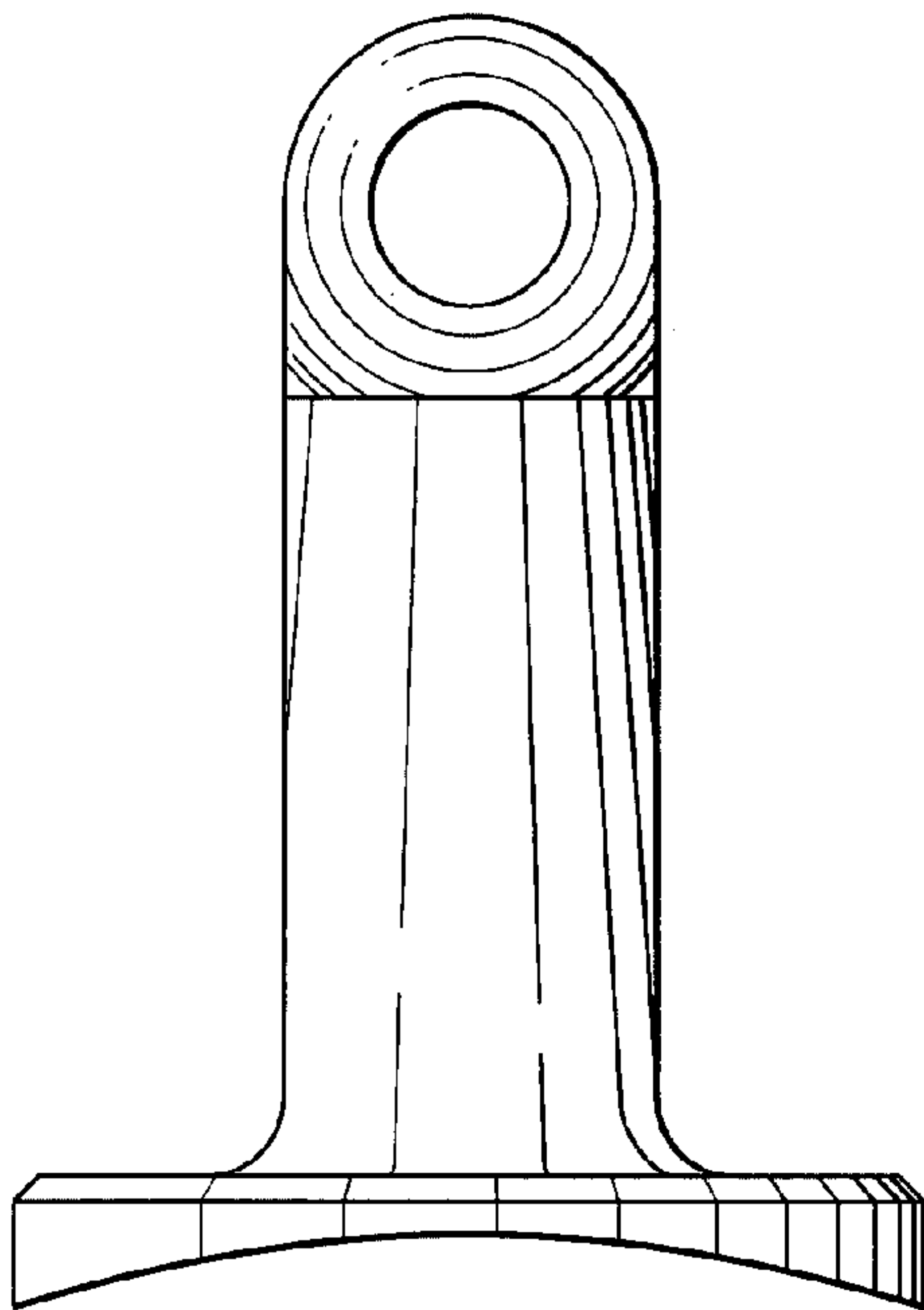


FIG. 3

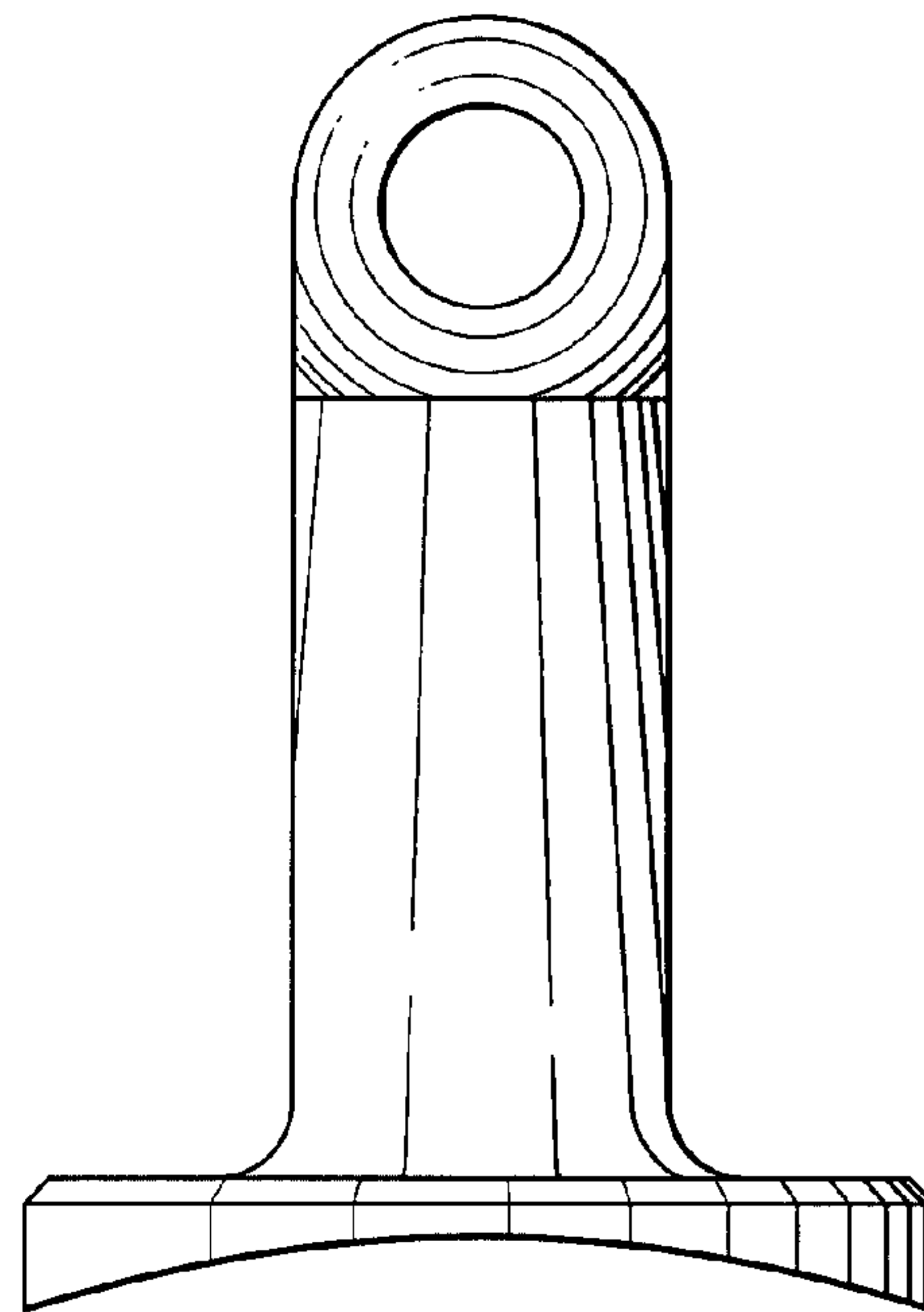


FIG.4

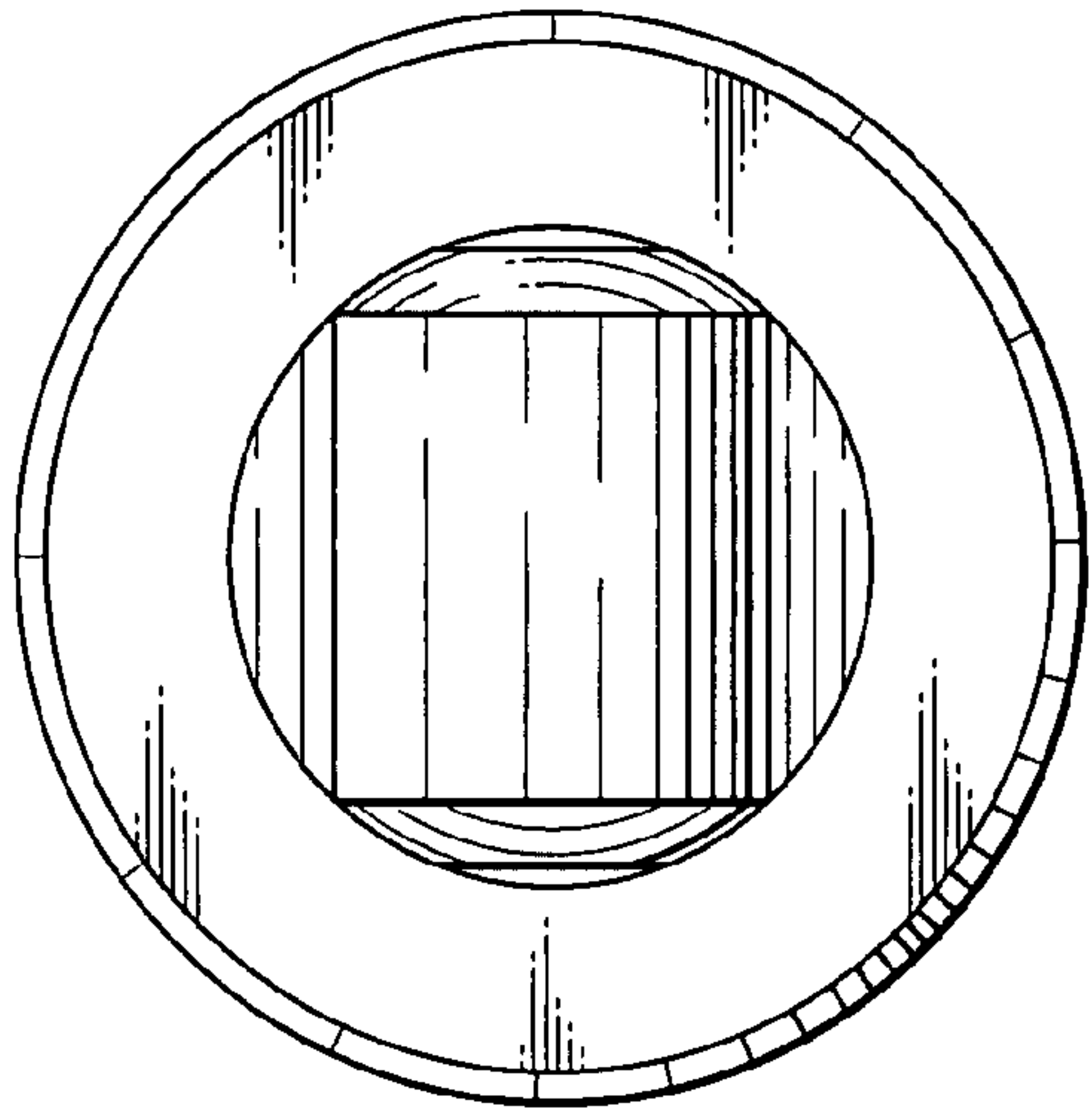


FIG.5

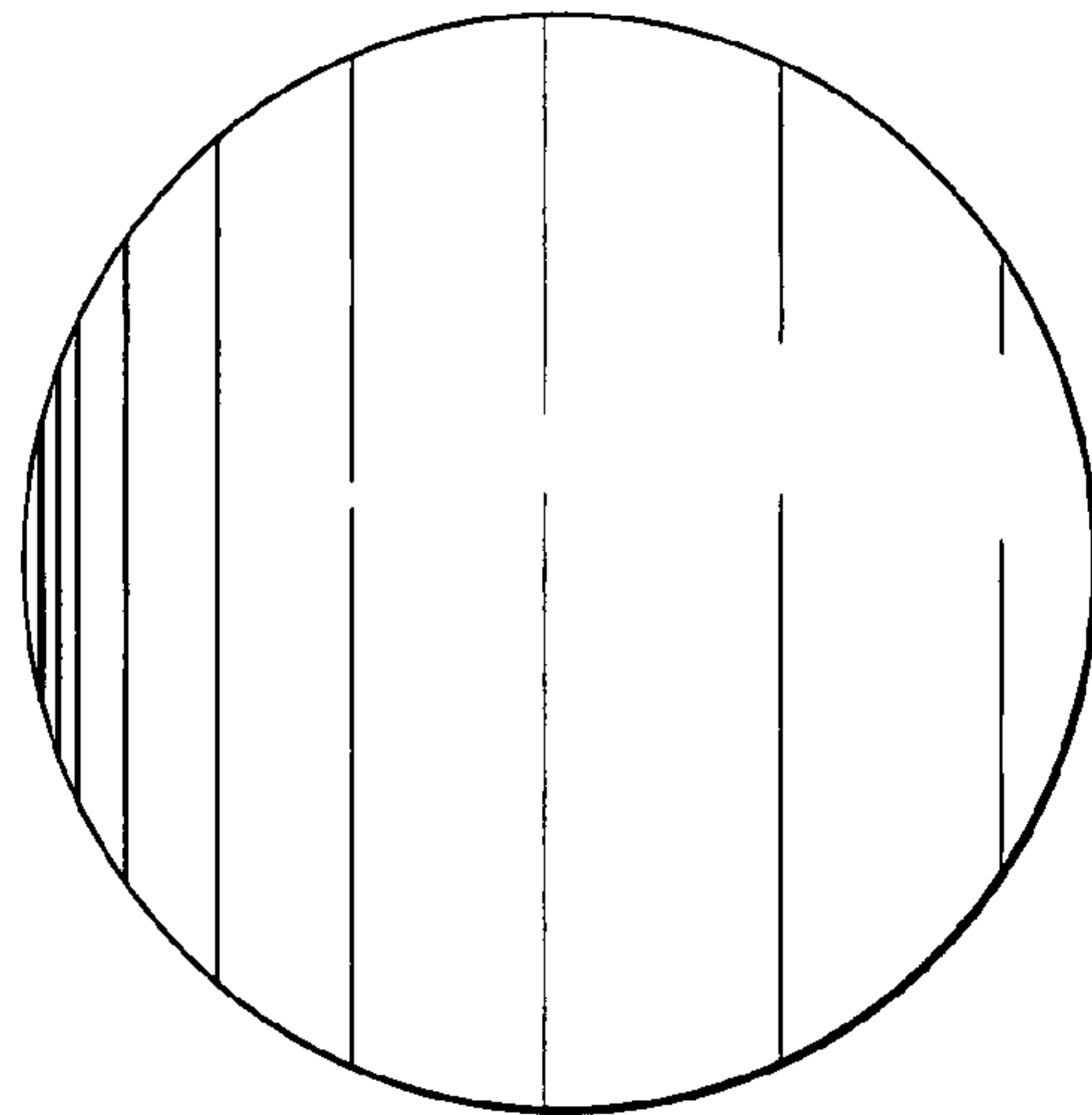


FIG.6

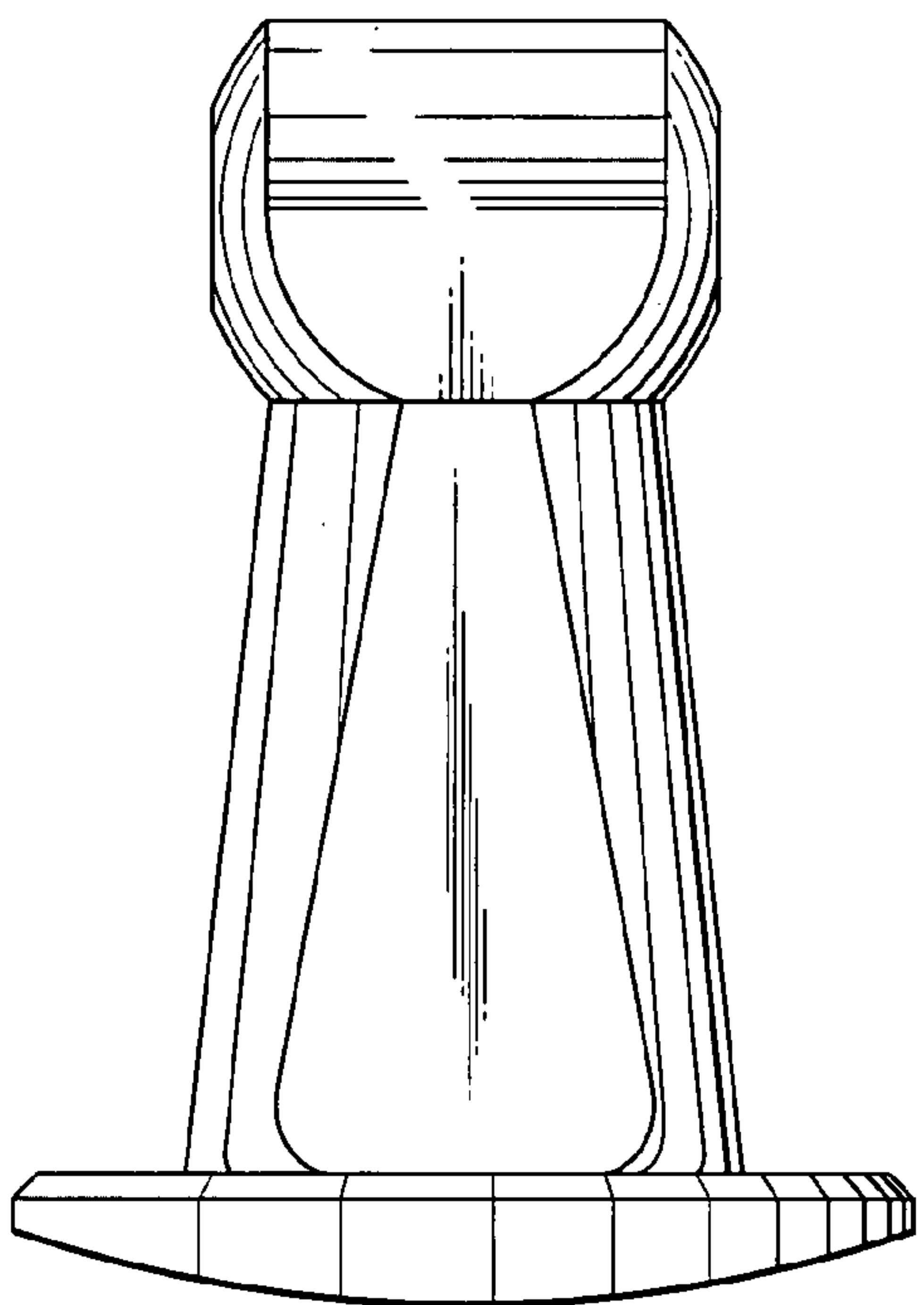


FIG.7

