



US00D574409S

(12) **United States Design Patent**  
**Stanley et al.**

(10) **Patent No.:** **US D574,409 S**

(45) **Date of Patent:** **\*\* Aug. 5, 2008**

(54) **SAFETY EYEWEAR**

(75) Inventors: **Glen Stanley**, Woodstock, CT (US);  
**Sebastien Roland Fangeat**, Puteaux (FR)

(73) Assignee: **Cabot Safety Intermediate Corporation**, Newark, DE (US)

(\*\*) Term: **14 Years**

(21) Appl. No.: **29/260,316**

(22) Filed: **May 23, 2006**

(51) **LOC (8) Cl.** ..... **16-06**

(52) **U.S. Cl.** ..... **D16/312**

(58) **Field of Classification Search** ..... D16/11,  
D16/101, 102, 103, 104, 107, 111-123, 127,  
D16/312, 314; 2/2.5, 9, 424, 426, 432, 436;  
224/222; 351/92, 41, 44, 51, 57, 62, 110,  
351/113, 114, 118, 154, 172; D29/8, 9, 107;  
128/201.22, 206.19, 863

See application file for complete search history.

(56) **References Cited**

**U.S. PATENT DOCUMENTS**

3,707,004	A *	12/1972	Kapitan et al.	.....	2/2.5
4,955,394	A *	9/1990	Dean	.....	128/863
5,148,550	A *	9/1992	Hodgkinson et al.	.....	2/424
D359,502	S *	6/1995	Hicks	.....	D16/311
D365,665	S *	12/1995	Januszewski, Jr.	.....	D29/107
D370,230	S *	5/1996	Simioni	.....	D16/312
5,911,308	A *	6/1999	Chafitz et al.	.....	2/9
6,012,164	A *	1/2000	Deal, III	.....	2/9

6,019,468	A *	2/2000	Altemare, Jr.	.....	351/158
6,543,450	B1 *	4/2003	Flynn	.....	128/206.19
6,615,409	B2 *	9/2003	Youmans et al.	.....	2/432
7,228,858	B2 *	6/2007	Baker	.....	128/201.22
D556,811	S *	12/2007	Bruck	.....	D16/312
D556,812	S *	12/2007	Wang-Lee	.....	D16/312
D559,299	S *	1/2008	Tabacchi	.....	D16/312
2005/0237477	A1 *	10/2005	Lindahl	.....	351/41
2007/0252946	A1 *	11/2007	Welchel et al.	.....	351/62
2007/0279578	A1 *	12/2007	Stanley et al.	.....	351/62

\* cited by examiner

*Primary Examiner*—T. Chase Nelson

*Assistant Examiner*—Barbara B Lohr

(74) *Attorney, Agent, or Firm*—Cantor Colburn LLP

(57) **CLAIM**

We claim, the ornamental design for safety eyewear, as shown and described.

**DESCRIPTION**

FIG. 1 is a perspective view of safety eyewear, showing my new design;

FIG. 2 is a rear perspective view thereof;

FIG. 3 is a front view thereof;

FIG. 4 is a rear view thereof;

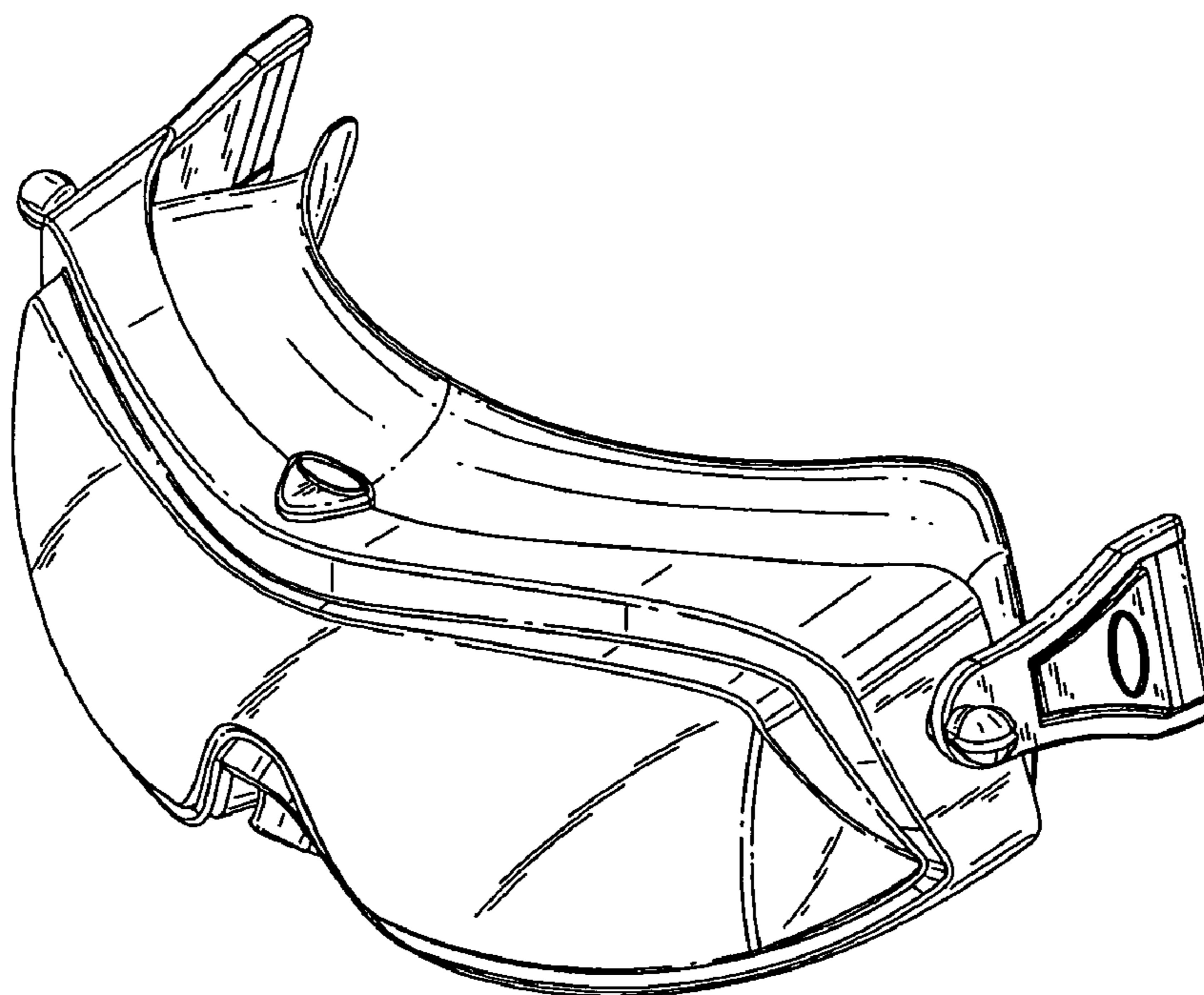
FIG. 5 is a side view thereof;

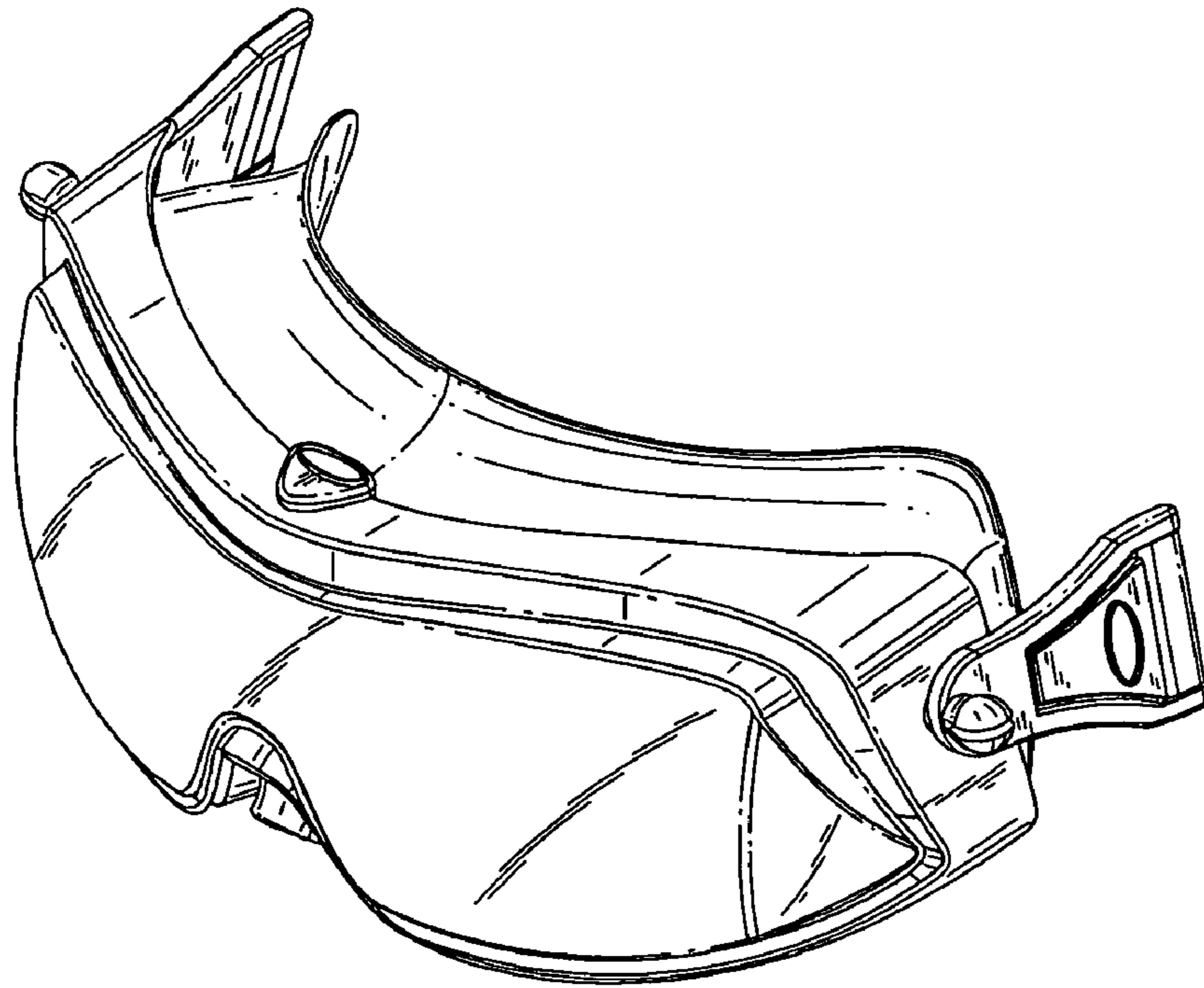
FIG. 6 is a side view thereof;

FIG. 7 is a top view thereof; and,

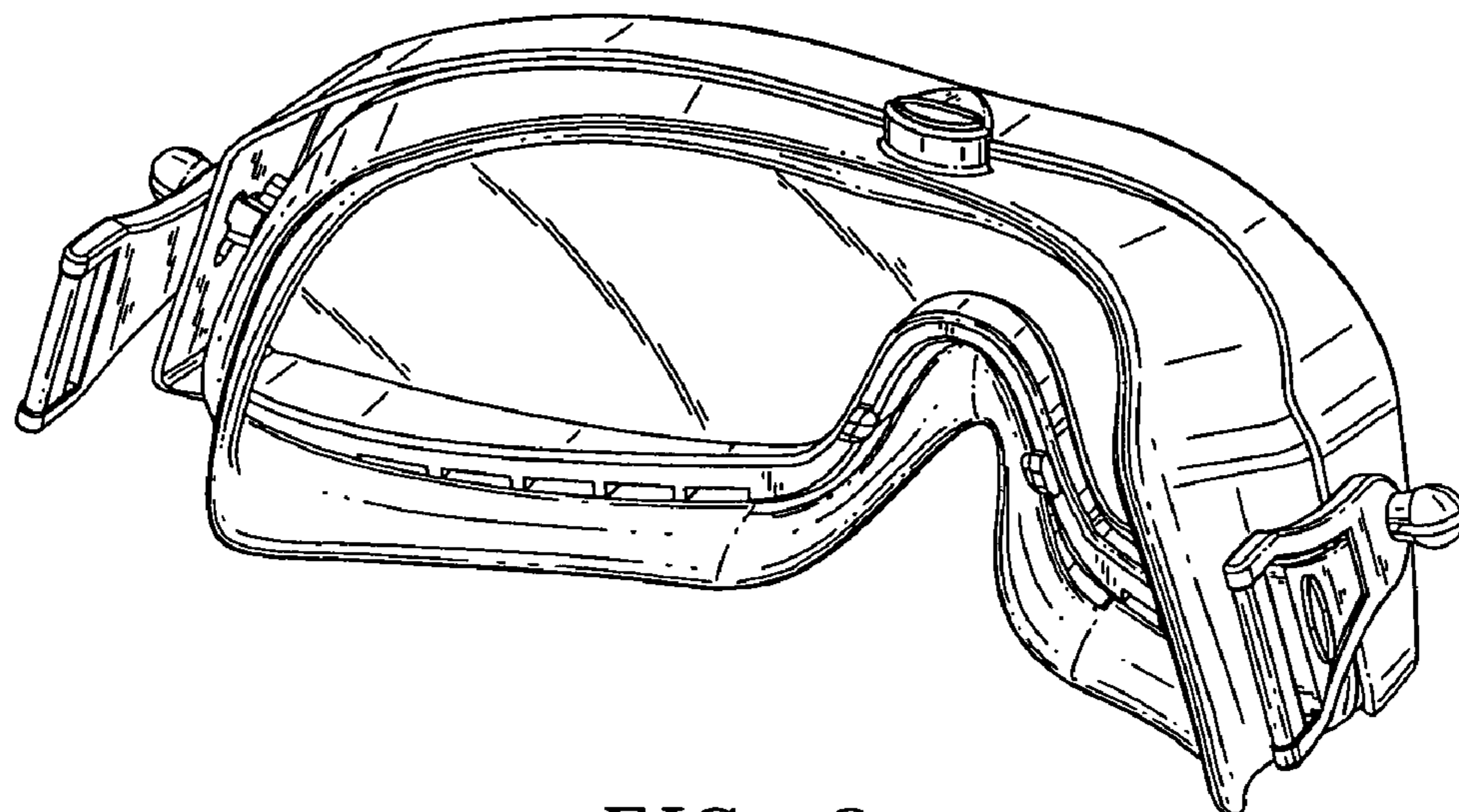
FIG. 8 is a bottom view thereof.

**1 Claim, 3 Drawing Sheets**





*FIG. 1*



*FIG. 2*

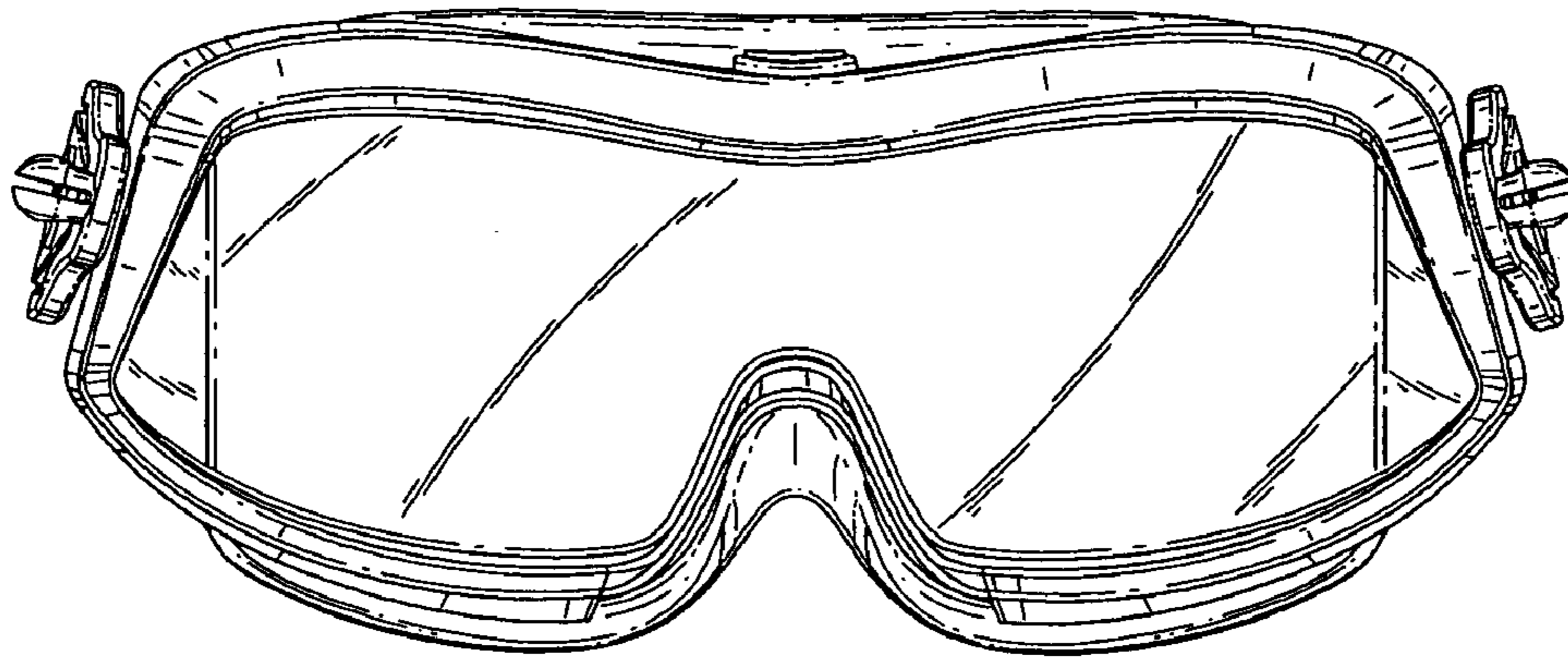


FIG. 3

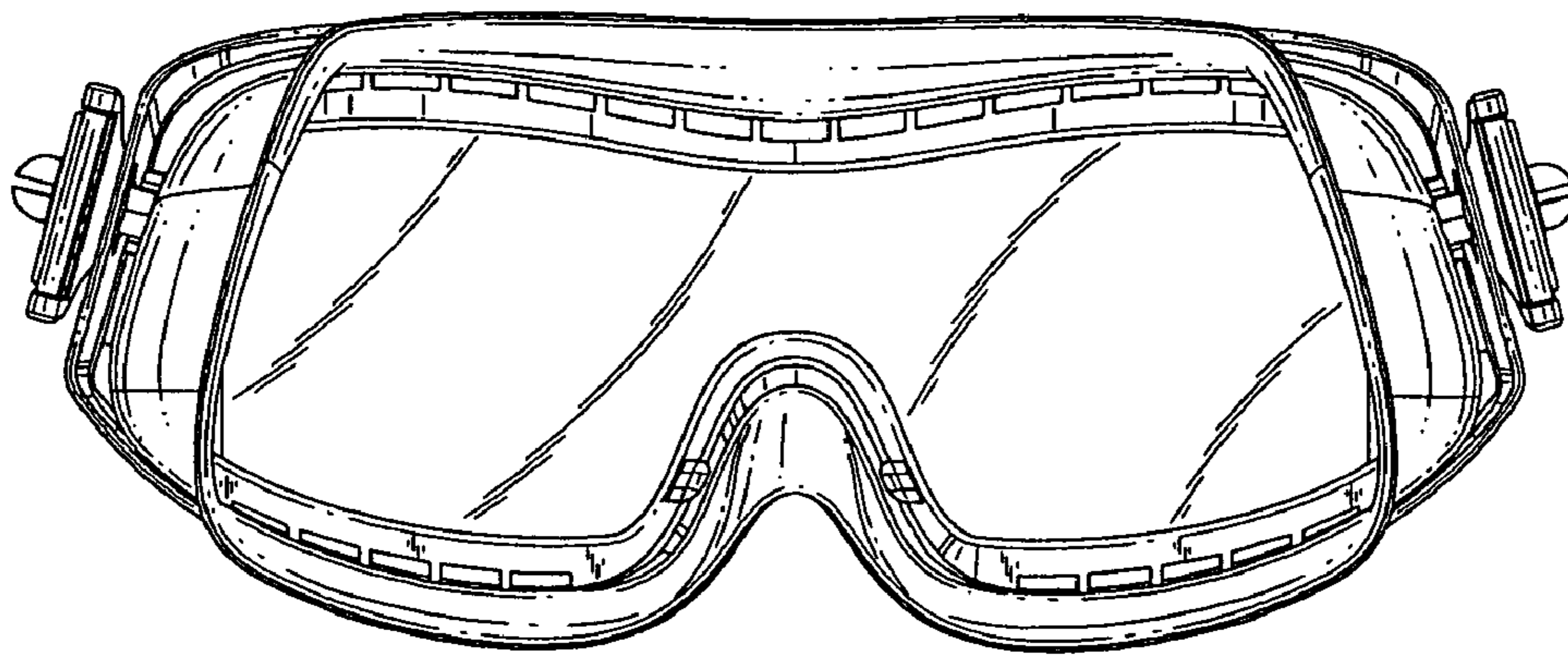


FIG. 4

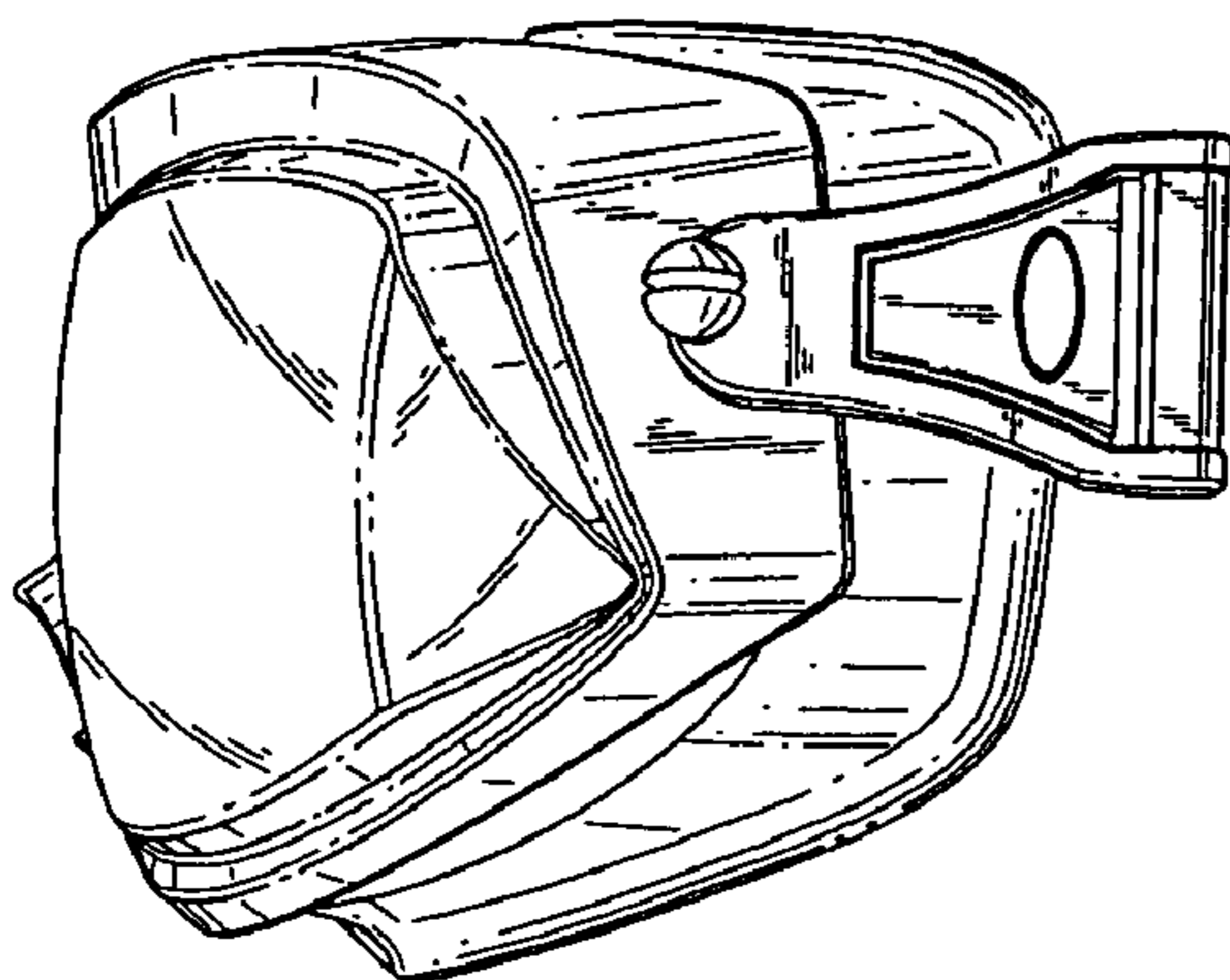


FIG. 5

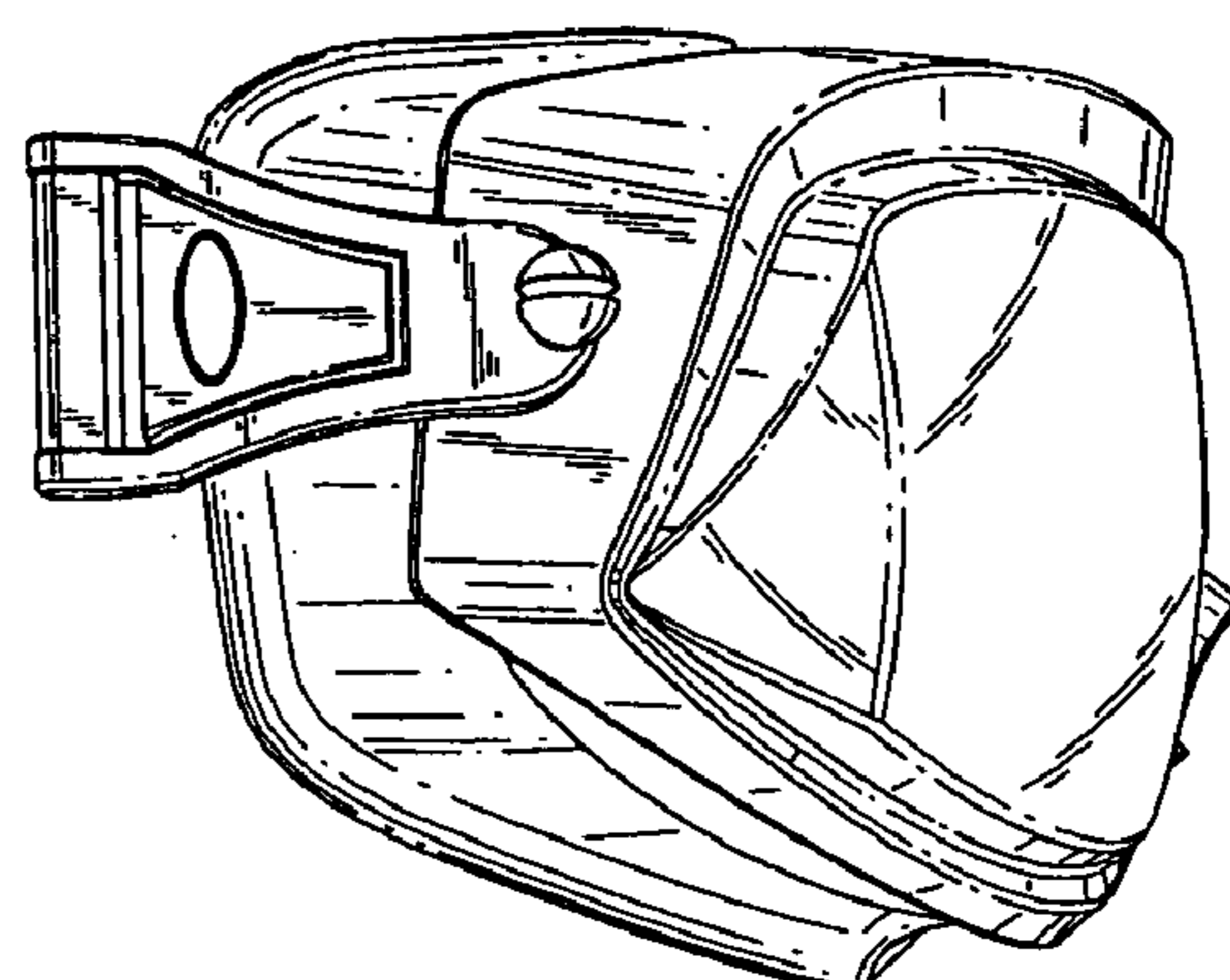
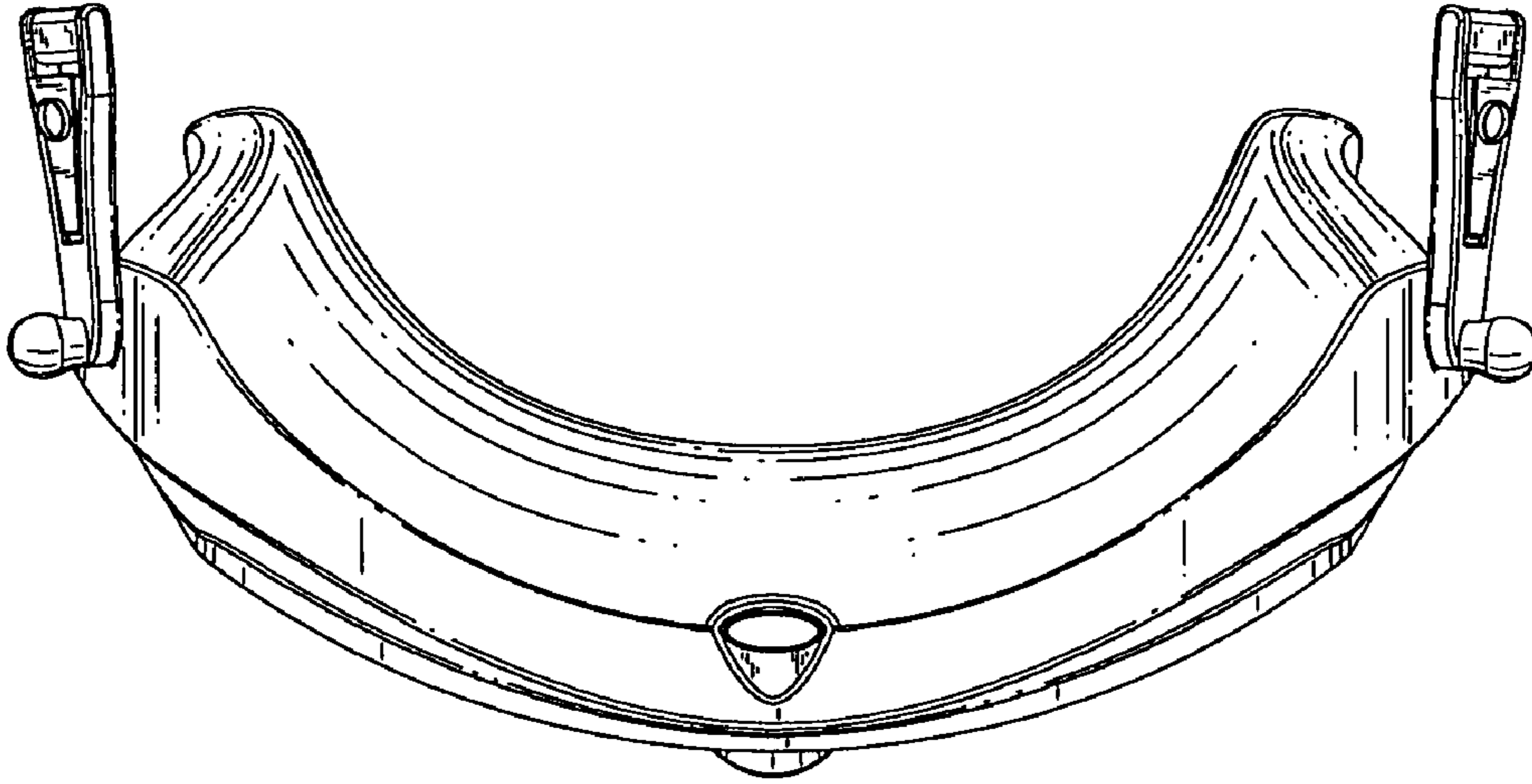
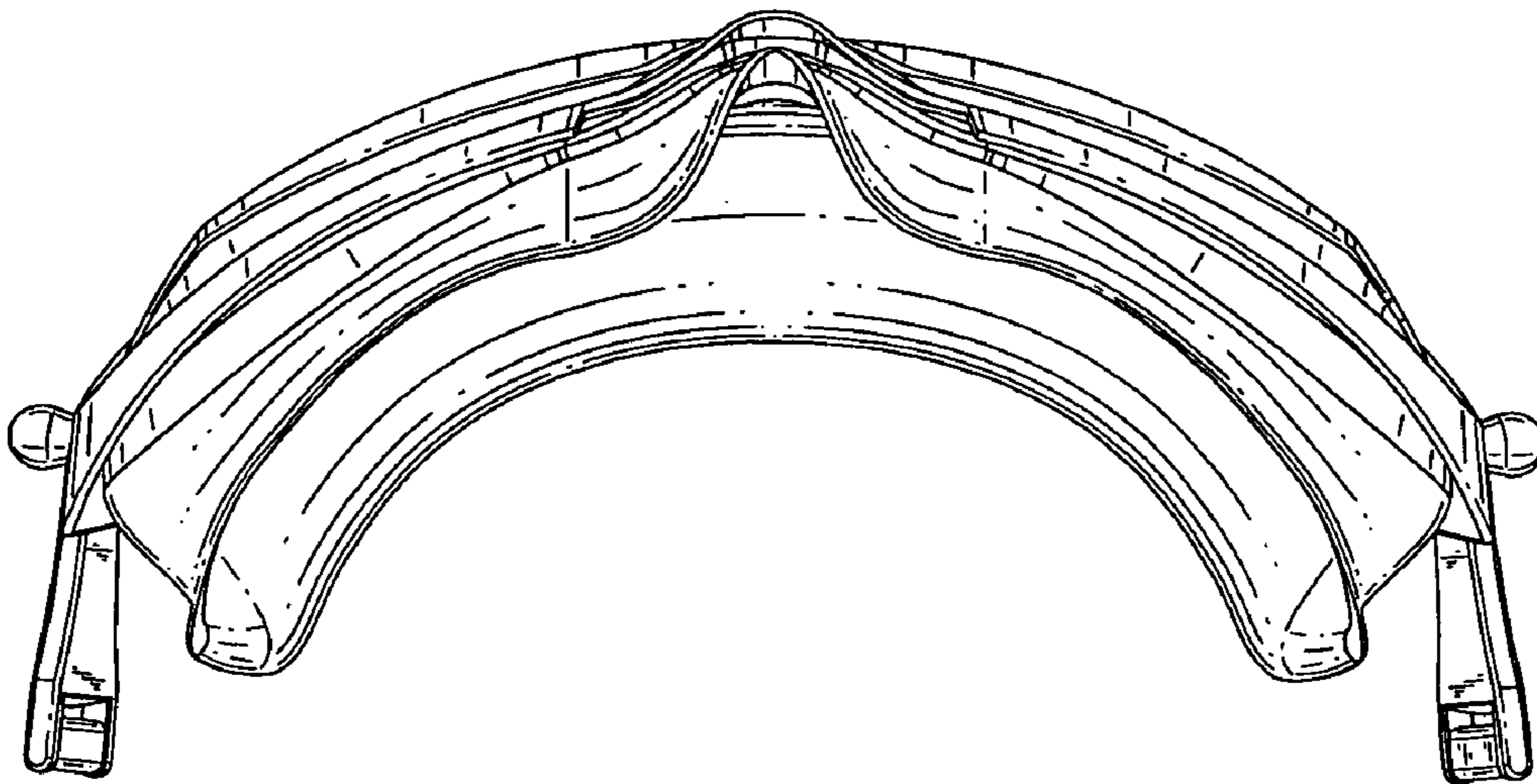


FIG. 6



*FIG. 7*



*FIG. 8*