



US00D574408S

(12) **United States Design Patent**  
**Kobayashi et al.**

(10) **Patent No.:** **US D574,408 S**

(45) **Date of Patent:** **\*\* Aug. 5, 2008**

(54) **LAMP FOR PROJECTOR**

(75) Inventors: **Hiroshi Kobayashi**, Shiojiri (JP);  
**Toshio Matsumiya**, Matsumoto (JP)

(73) Assignee: **Seiko Epson Corporation**, Tokyo (JP)

(\*\*) Term: **14 Years**

(21) Appl. No.: **29/281,675**

(22) Filed: **Jun. 28, 2007**

(30) **Foreign Application Priority Data**

Mar. 1, 2007 (JP) ..... 2007-005210

(51) **LOC (8) Cl.** ..... **16-02**

(52) **U.S. Cl.** ..... **D16/235**

(58) **Field of Classification Search** ..... D16/237,  
D16/221, 225, 235, 236; D26/1, 24; 353/97,  
353/98, 119; 362/242, 362, 368, 430  
See application file for complete search history.

(56) **References Cited**

**U.S. PATENT DOCUMENTS**

D420,455 S \* 2/2000 Haba et al. .... D26/1  
7,052,147 B2 \* 5/2006 Katsuma et al. .... 362/362  
7,104,654 B2 \* 9/2006 Tamaru et al. .... 353/119  
7,210,825 B2 \* 5/2007 Watanabe et al. .... 353/119

7,241,029 B2 \* 7/2007 Tsai ..... 353/119  
D558,252 S \* 12/2007 Matsumiya et al. .... D16/235  
D561,232 S \* 2/2008 Nishizawa et al. .... D16/235

\* cited by examiner

*Primary Examiner*—Adir Aronovich

(74) *Attorney, Agent, or Firm*—Oliff & Berridge, PLC

(57) **CLAIM**

The ornamental design for a lamp for projector, as shown and described.

**DESCRIPTION**

FIG. 1 is a top view of a lamp for projector showing our new design;

FIG. 2 is a front elevational view thereof;

FIG. 3 is a right-side elevational view thereof;

FIG. 4 is a left-side elevational view thereof;

FIG. 5 is a rear elevational view thereof; and

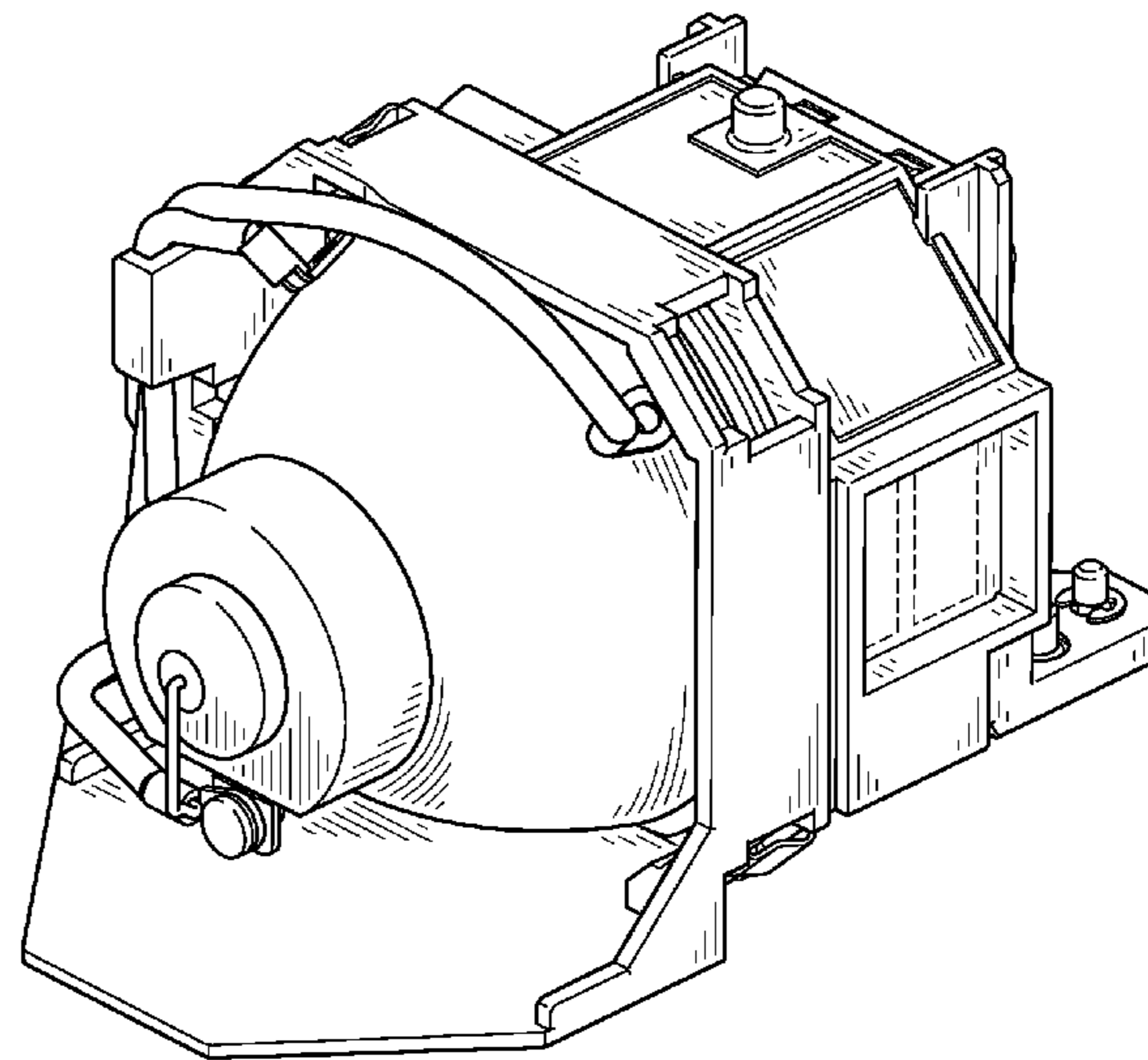
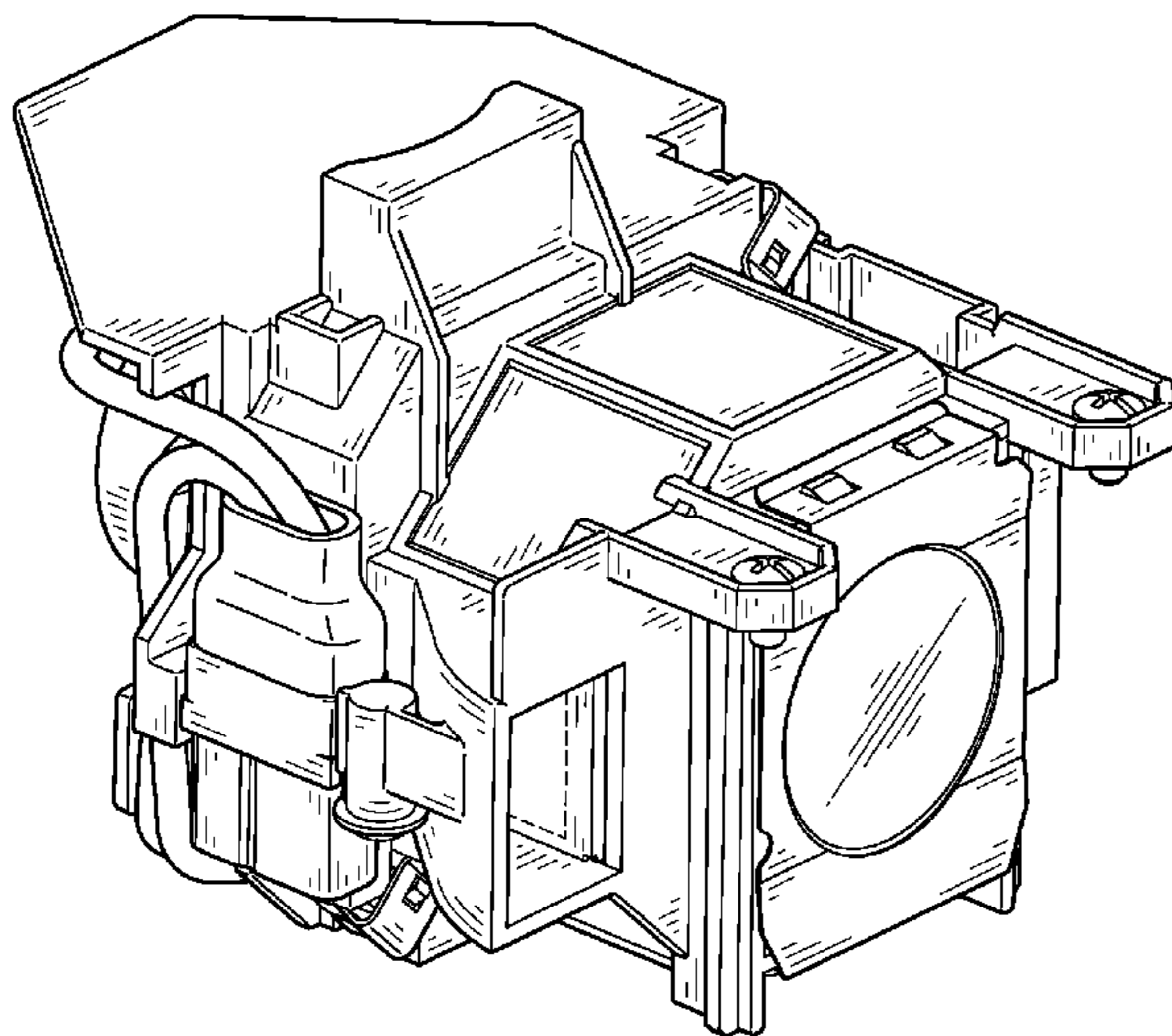
FIG. 6 is a bottom plan view thereof;

FIG. 7 is a top perspective view thereof; and,

FIG. 8 is a bottom perspective view thereof.

The broken lines are for illustrative purposes only and form no part of the claimed design.

**1 Claim, 8 Drawing Sheets**



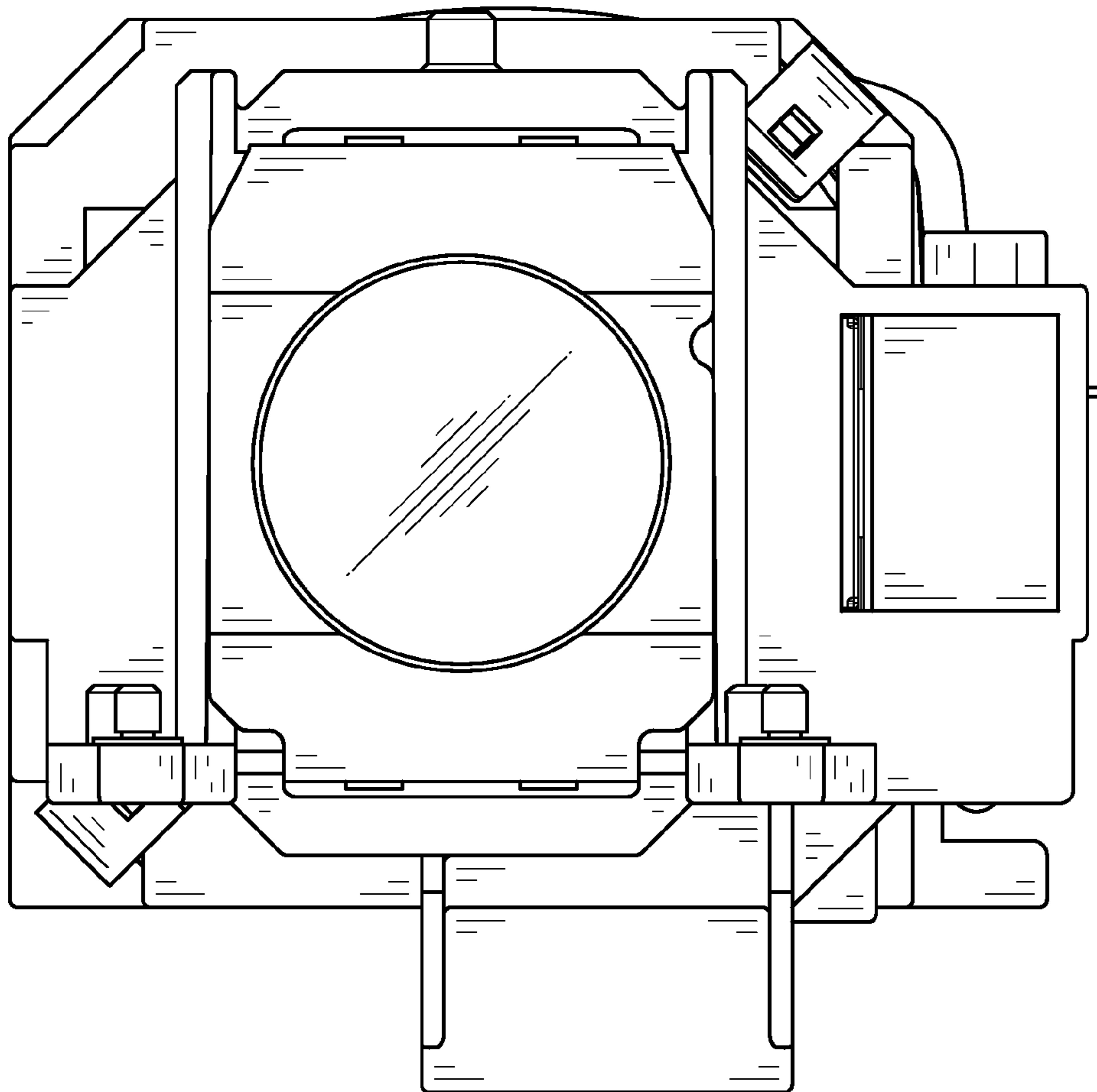


FIG. 1

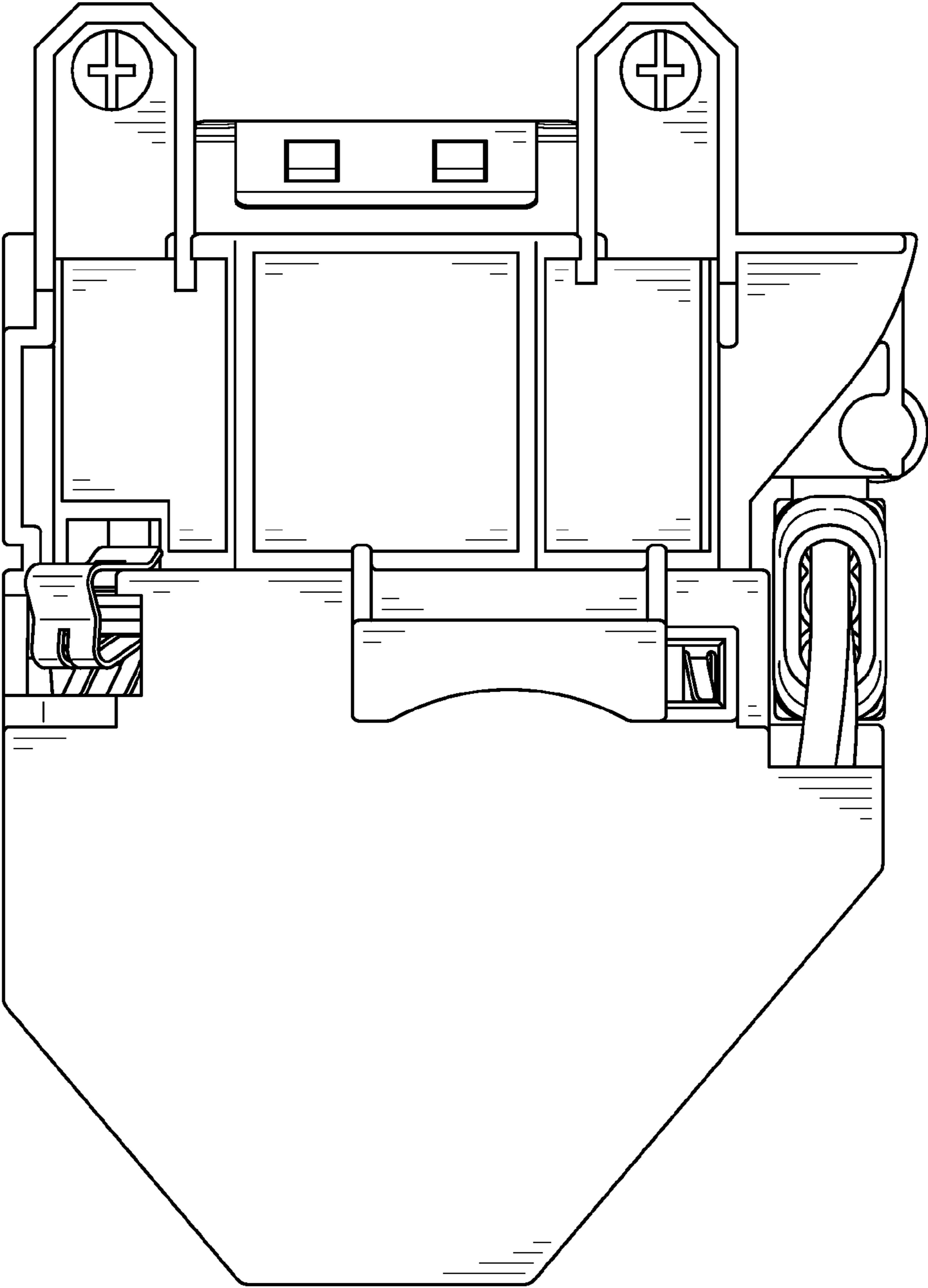


FIG. 2

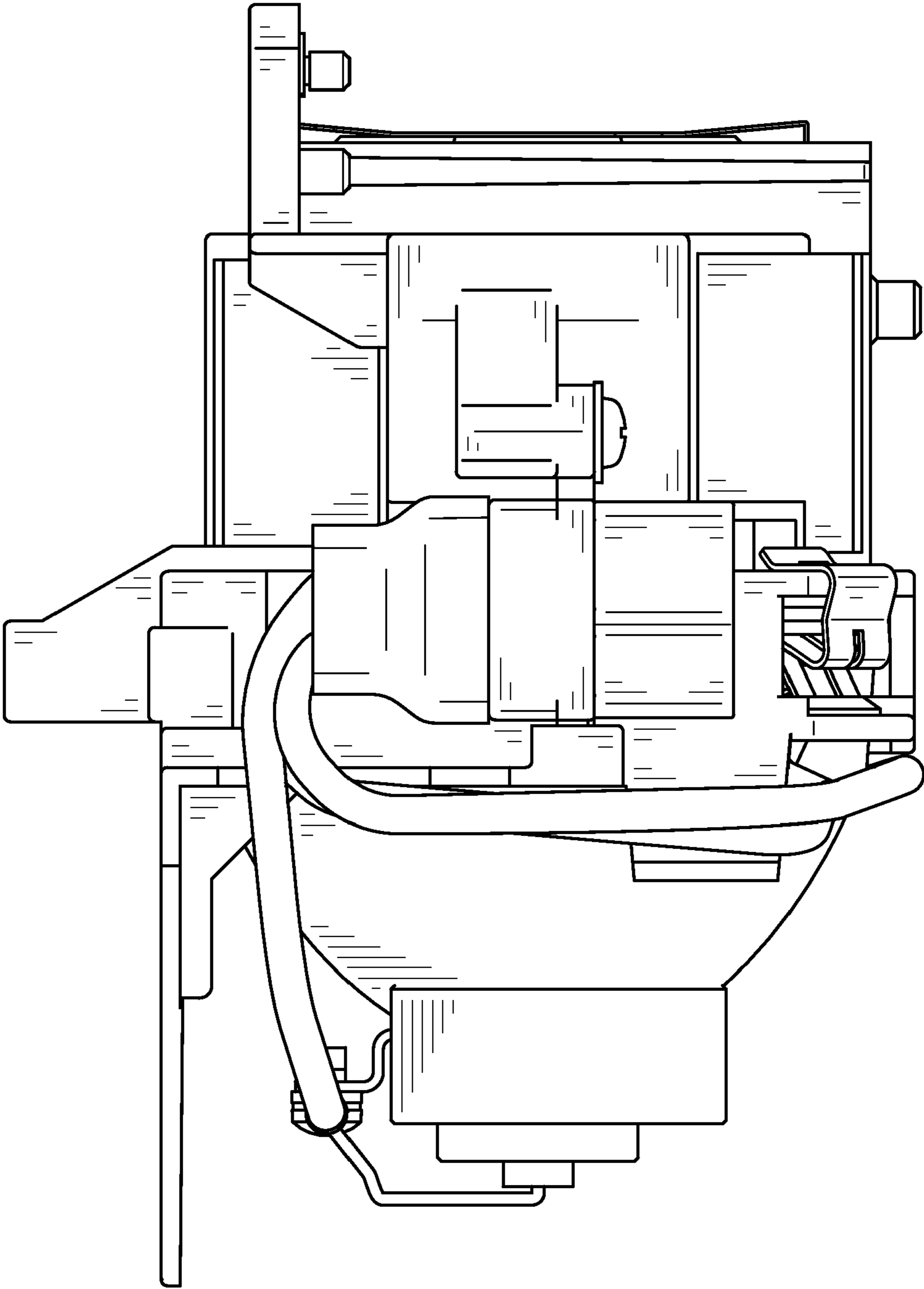


FIG. 3

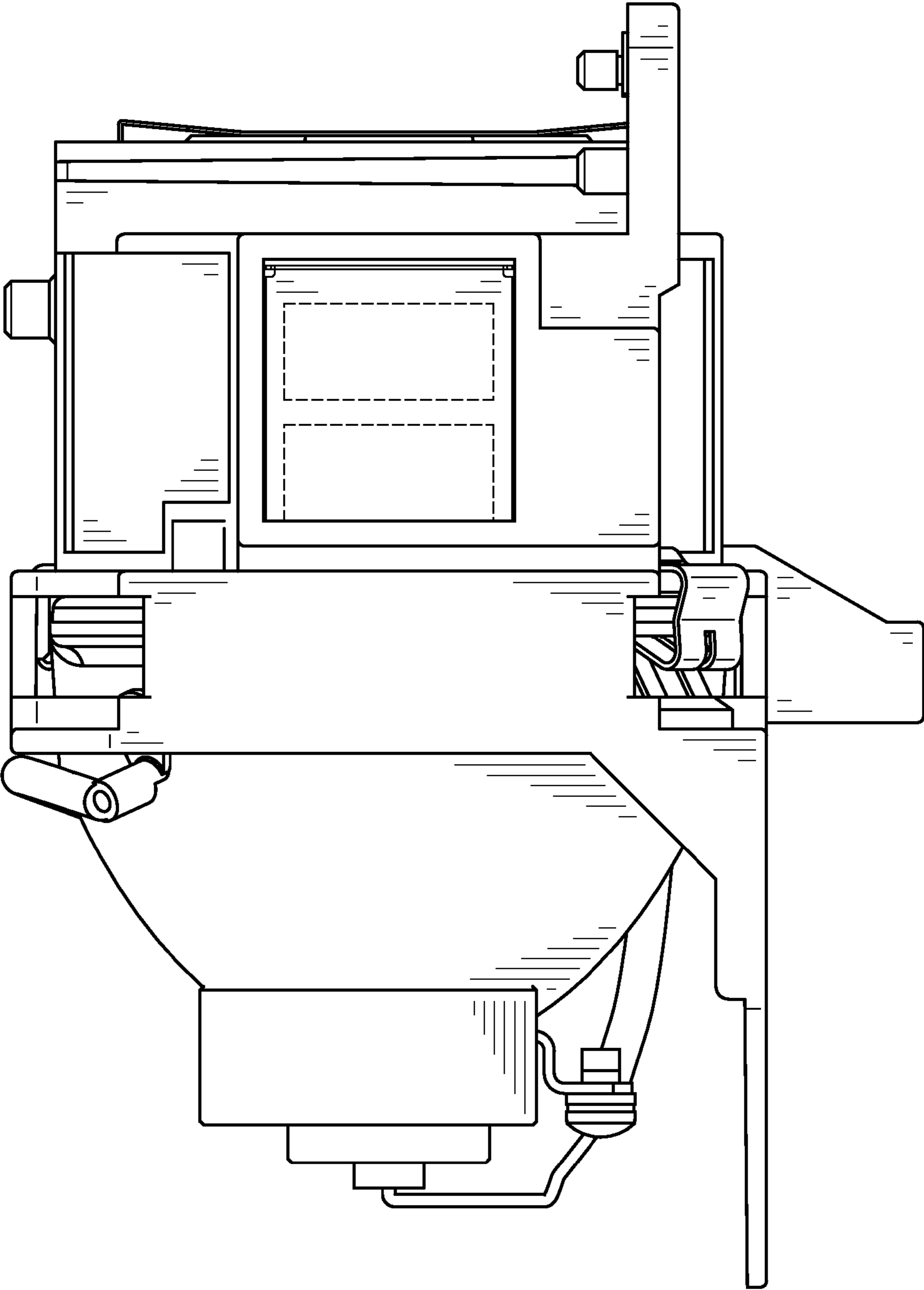


FIG. 4

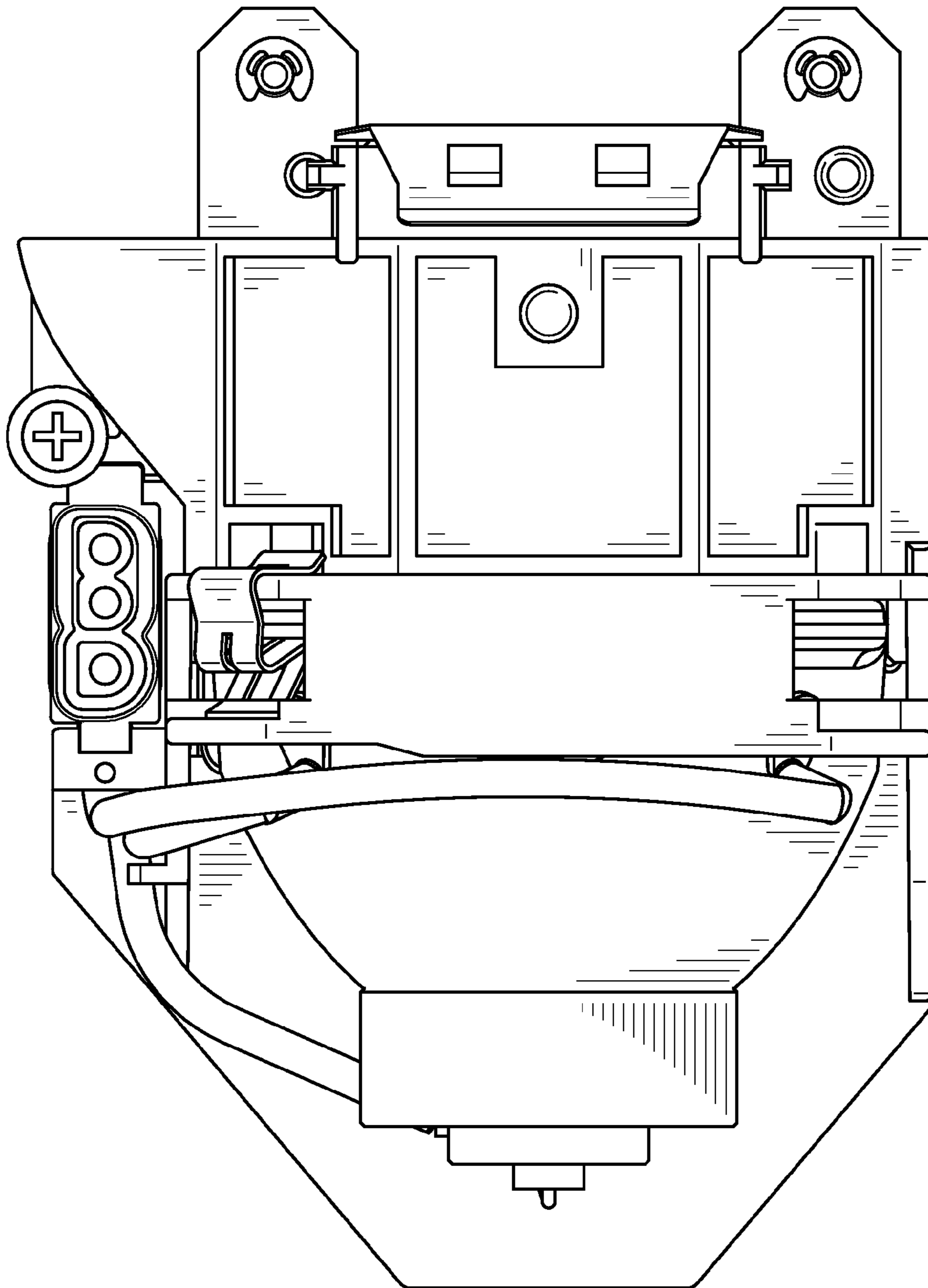


FIG. 5

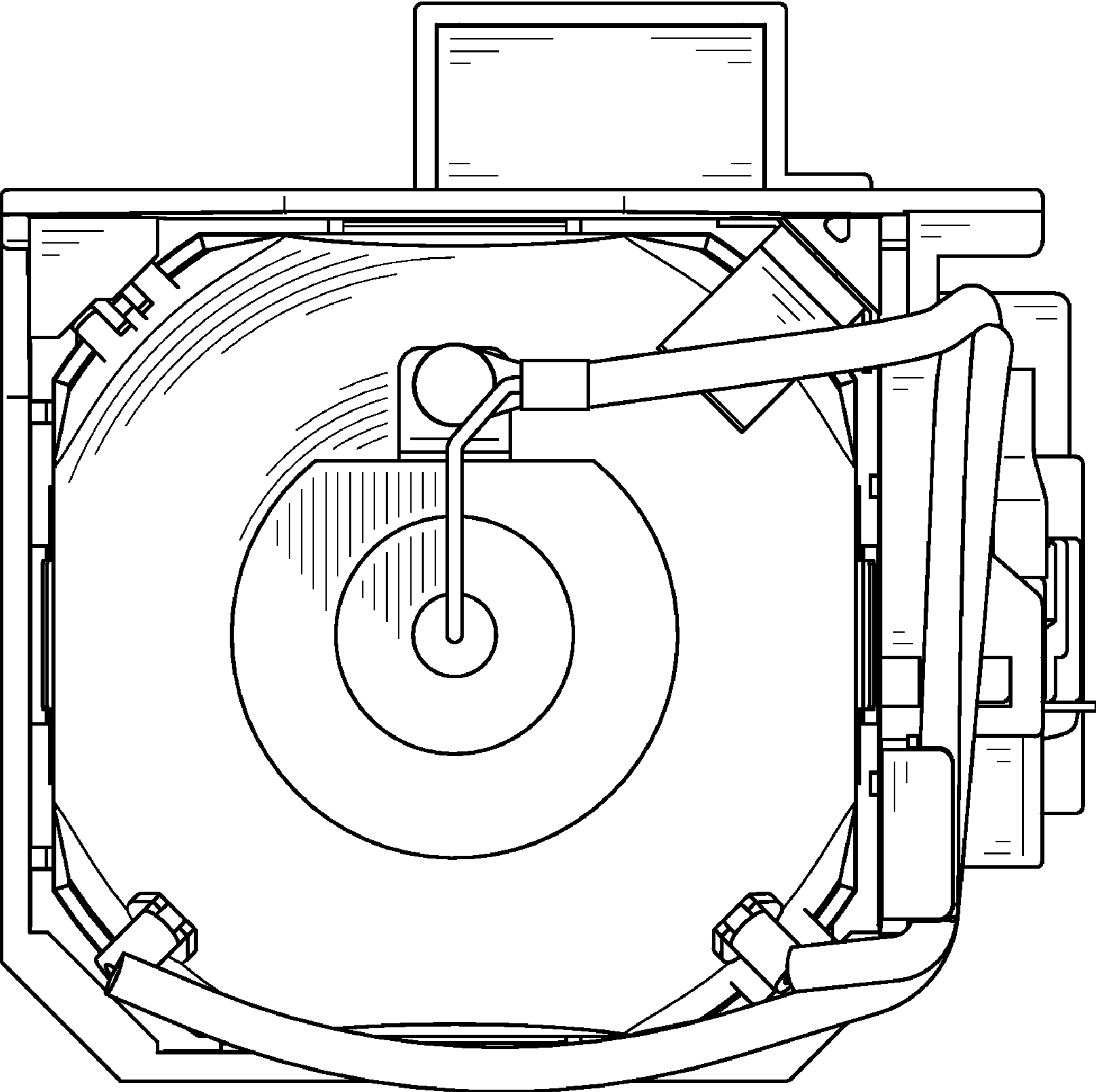


FIG. 6

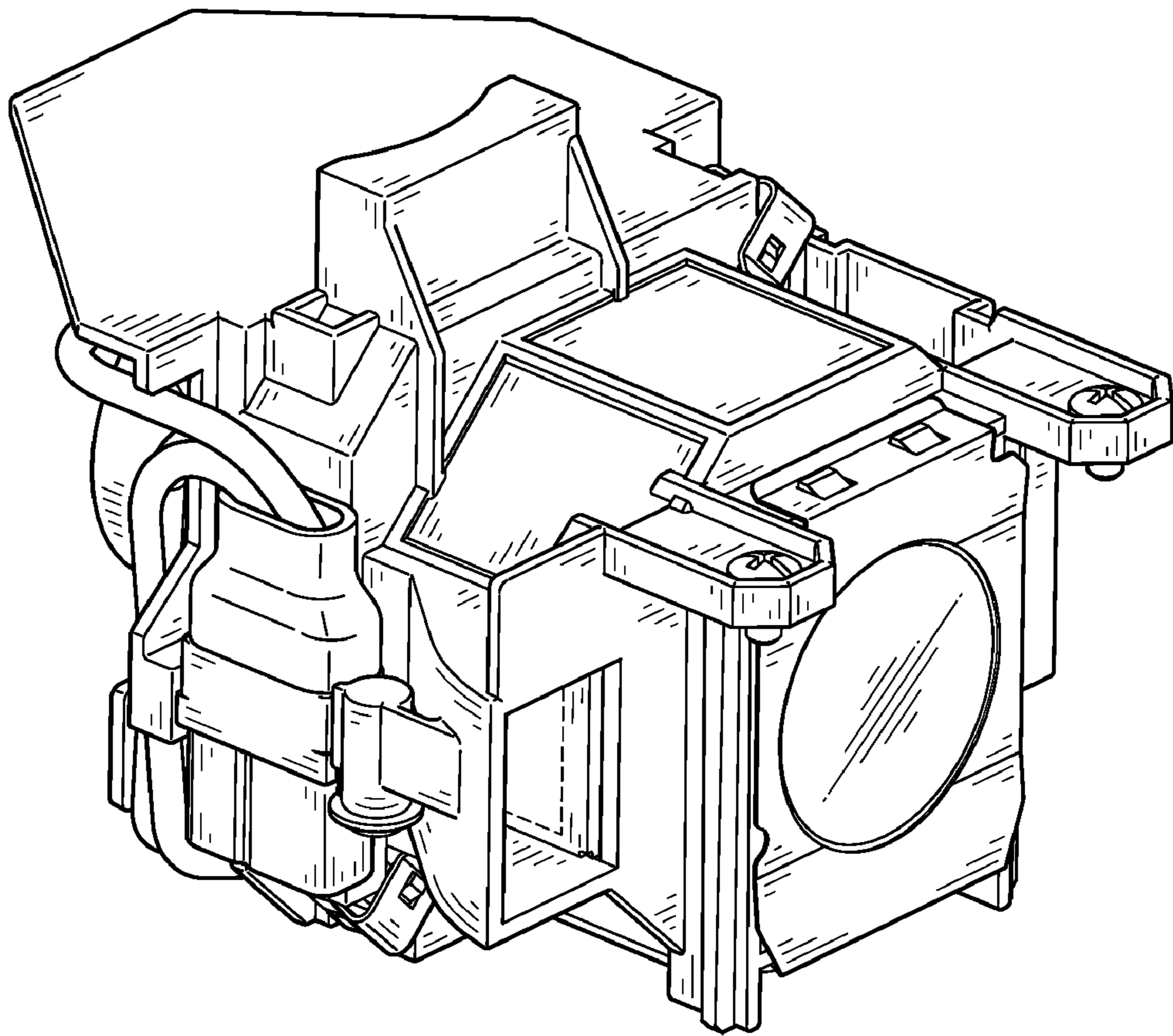


FIG. 7



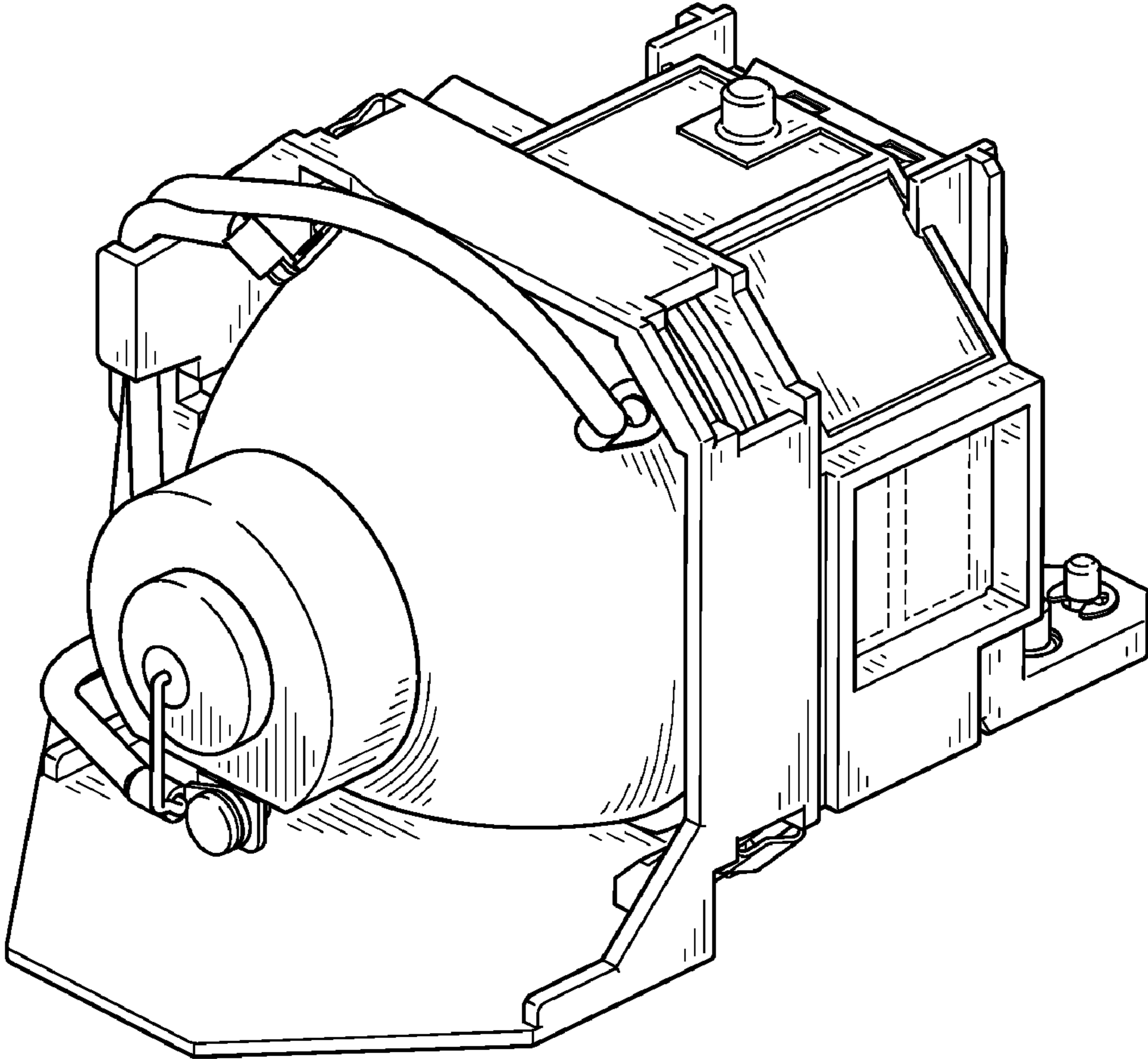


FIG. 8