

US00D574407S

(12) **United States Design Patent**
Dittmer et al.

(10) **Patent No.:** **US D574,407 S**

(45) **Date of Patent:** **** Aug. 5, 2008**

(54) **PROJECTOR MOUNT UPRIGHT**

(75) Inventors: **Jay Dittmer**, Prior Lake, MN (US); **Paul Smith**, Savage, MN (US)

(73) Assignee: **CSAV, Inc.**, Savage, MN (US)

(**) Term: **14 Years**

(21) Appl. No.: **29/259,352**

(22) Filed: **May 5, 2006**

(51) **LOC (8) Cl.** **16-02**

(52) **U.S. Cl.** **D16/235**

(58) **Field of Classification Search** D16/235,
D16/242, 245; D8/355, 363, 373, 380, 383;
352/243; 396/419, 426, 428, 427, 420-422;
248/519, 126, 323, 221.11, 523, 324, 527,
248/917, 924, 274.1, 284.1, 291.1; D14/238,
D14/214, 224

See application file for complete search history.

(56) **References Cited**

U.S. PATENT DOCUMENTS

D111,340 S *	9/1938	Wenzel	D16/235
D184,448 S *	2/1959	Marson	D16/242
D196,757 S *	10/1963	Mechnick	D16/242
4,080,629 A	3/1978	Hammond et al.		
4,225,881 A	9/1980	Tovi		
D289,162 S *	4/1987	Lisowski	D16/242
D311,199 S *	10/1990	Casagrande	D16/243
4,964,606 A	10/1990	Beam et al.		
5,551,658 A	9/1996	Dittmer		
5,938,161 A	8/1999	Takeuchi et al.		
6,042,068 A	3/2000	Tcherny		
6,341,927 B2	1/2002	Hampson et al.		
6,527,238 B2	3/2003	Shental et al.		
6,595,379 B1	7/2003	Powell		
6,606,887 B1	8/2003	Zimmer et al.		

6,619,161 B1	9/2003	Blair		
6,708,940 B2	3/2004	Ligertwood		
7,178,775 B2 *	2/2007	Pfister et al.	248/292.14
2004/0211872 A1	10/2004	Dittmer et al.		

OTHER PUBLICATIONS

Chief Manufacturing Inc., *RPA Series Projector Mount with All-Points™ Security System*, Chief Manufacturing Inc., Brochure, 2004, 4 pages.

* cited by examiner

Primary Examiner—Ian Simmons

Assistant Examiner—Wan Laymon

(74) *Attorney, Agent, or Firm*—Patterson, Thuente, Skaar & Christensen, PA

(57) **CLAIM**

The ornamental design for a projector mount upright, as shown and described.

DESCRIPTION

FIG. 1 is a front and left perspective view of a projector mount upright showing our new design;

FIG. 2 is a front and right perspective view thereof;

FIG. 3 is a front elevation view thereof;

FIG. 4 is a rear elevation view thereof;

FIG. 5 is a right side elevation view thereof;

FIG. 6 is a left side elevation view thereof;

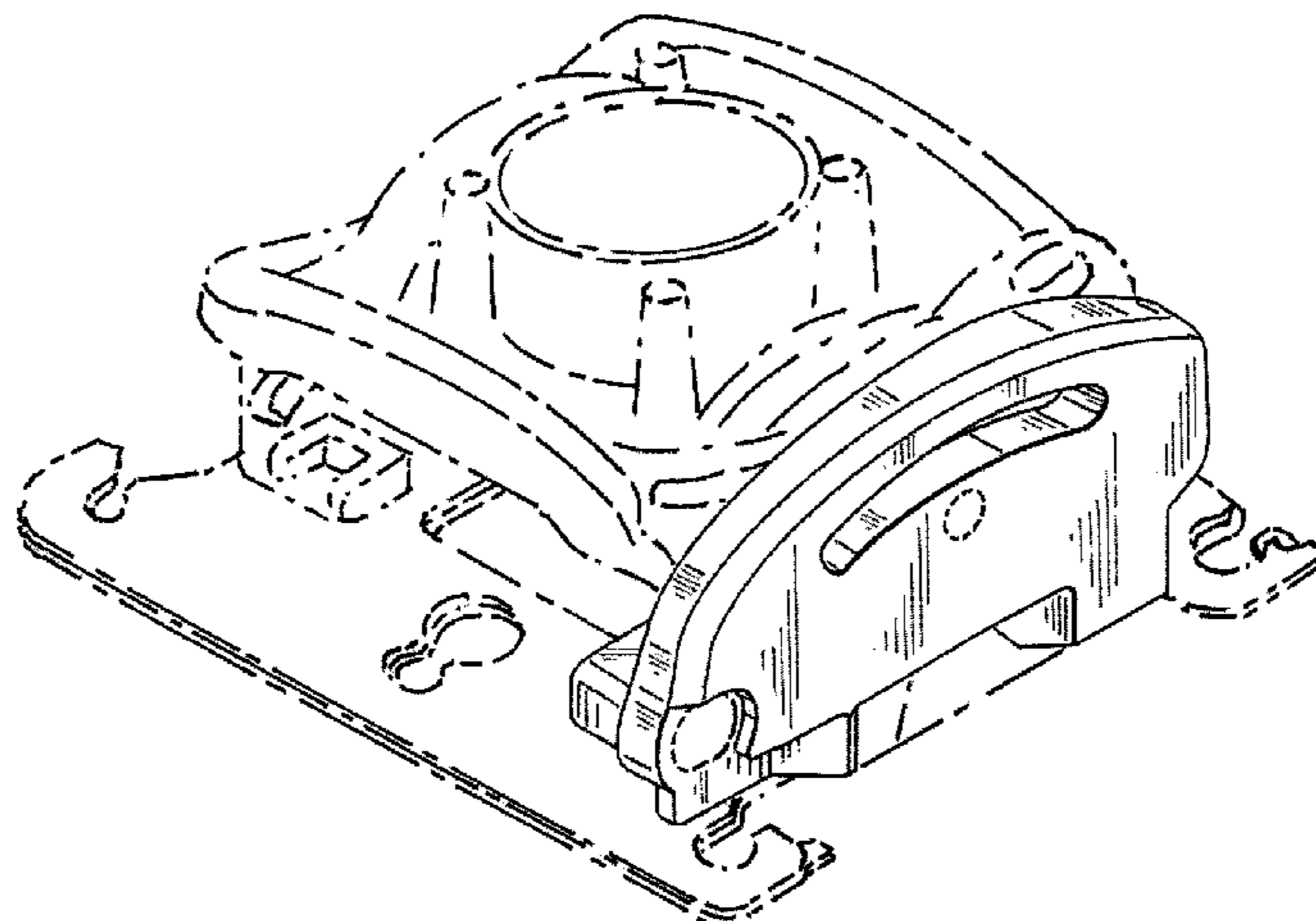
FIG. 7 is a bottom plan view thereof;

FIG. 8 is a top plan view thereof; and,

FIG. 9 is a front and left side perspective view thereof with the mounted detail shown in broken lines.

The structures shown herein in broken lines are for illustrative purposes only and form no part of the claimed design.

1 Claim, 3 Drawing Sheets



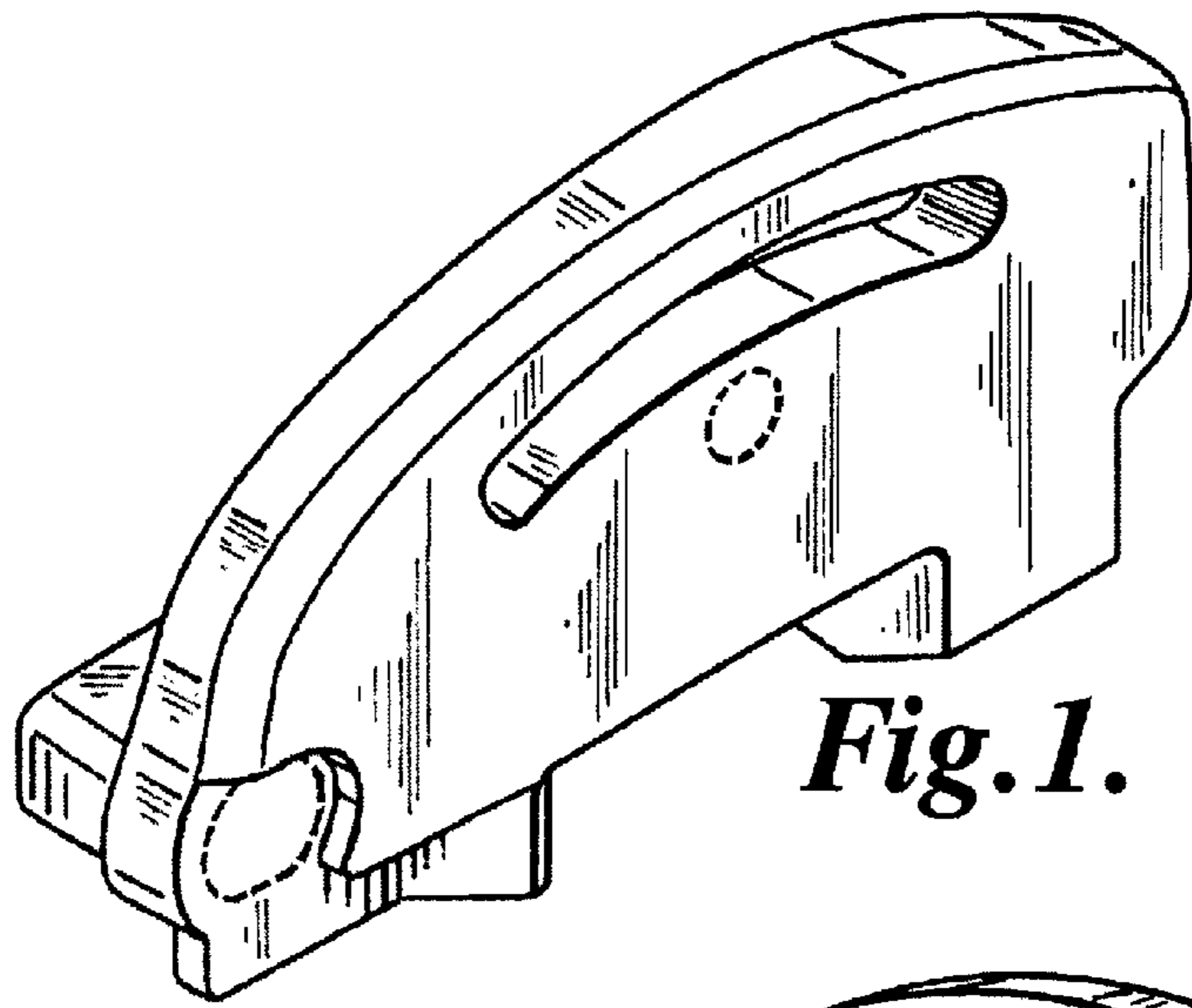


Fig. 1.

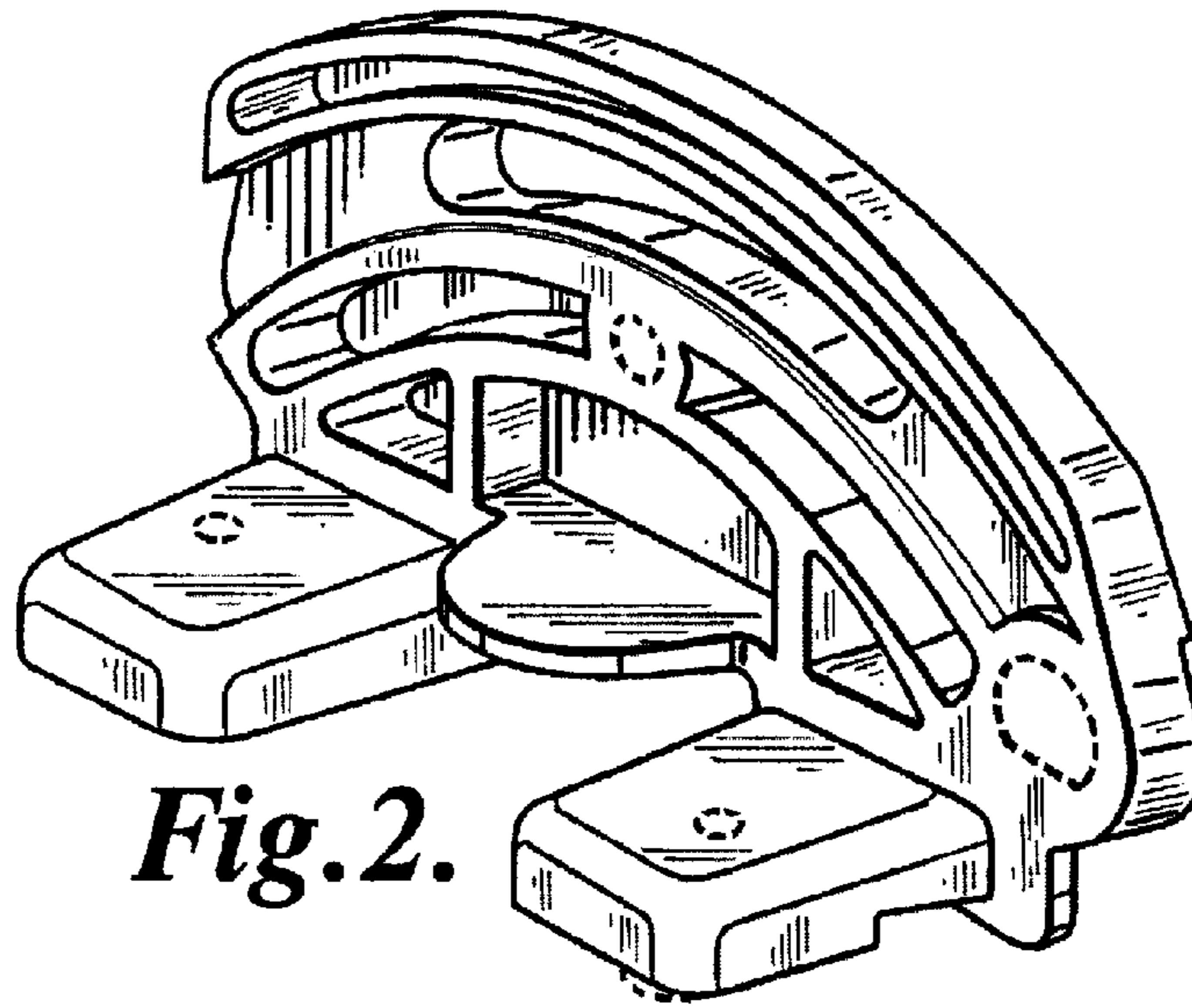


Fig. 2.

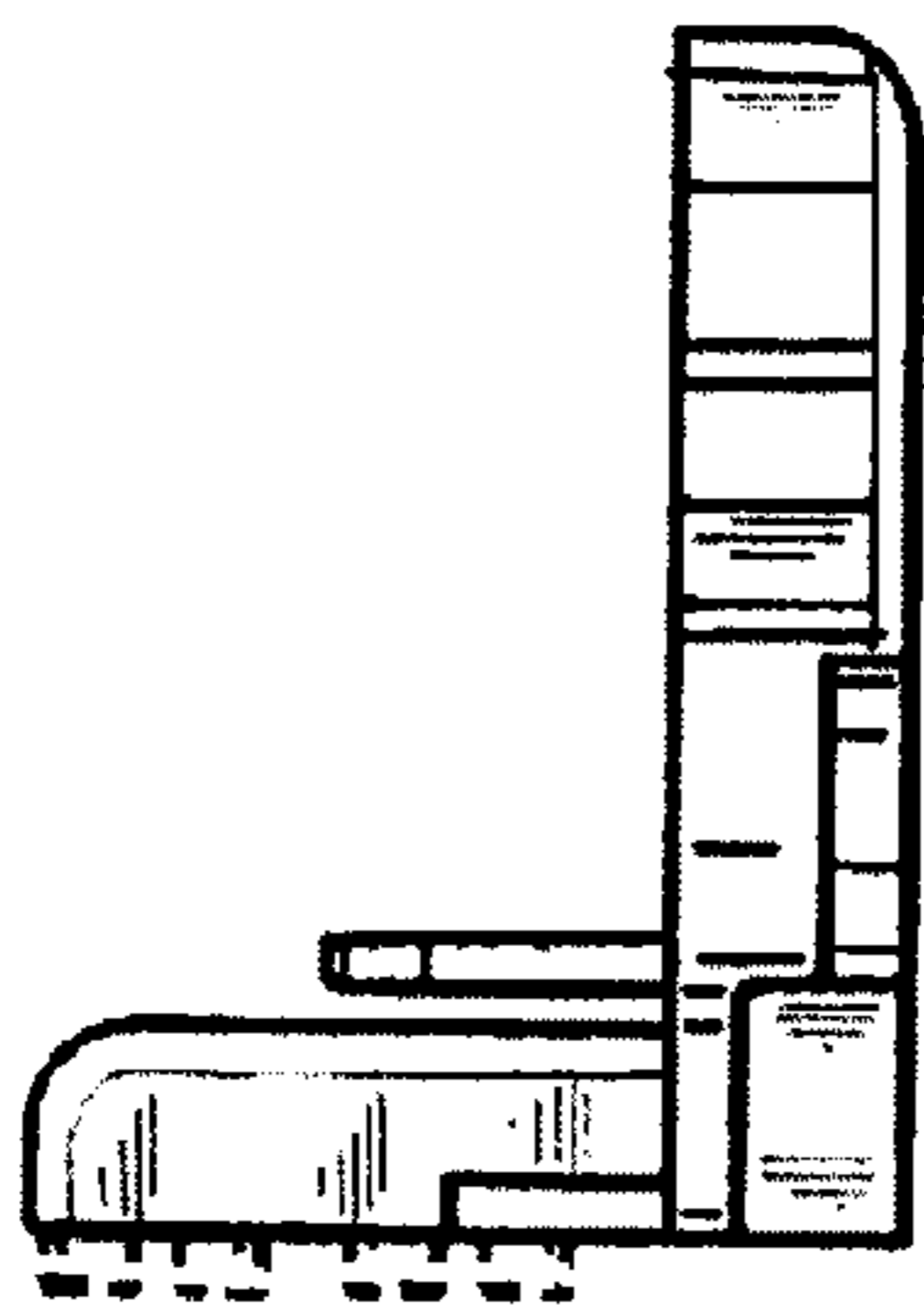


Fig. 3.

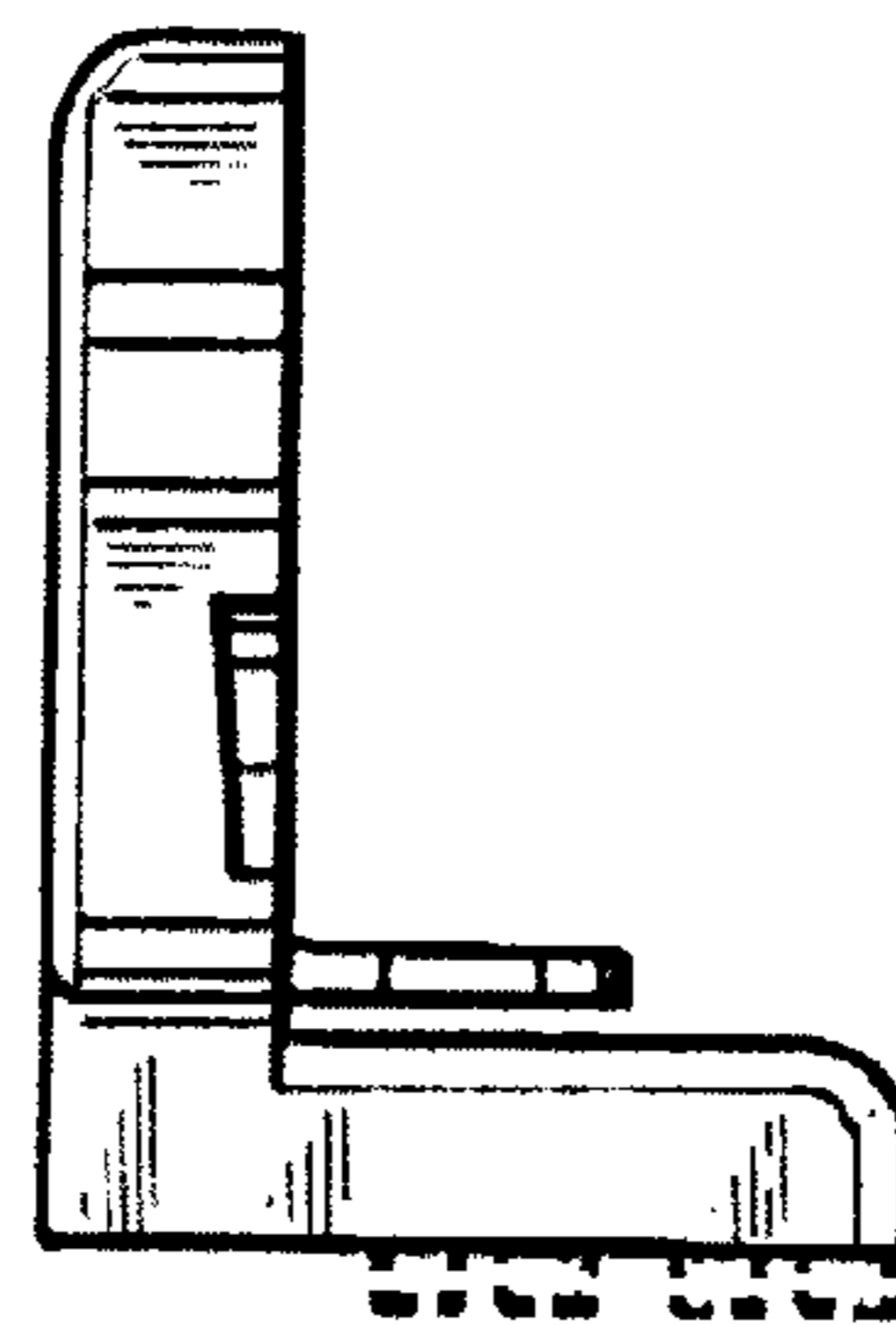


Fig. 4.

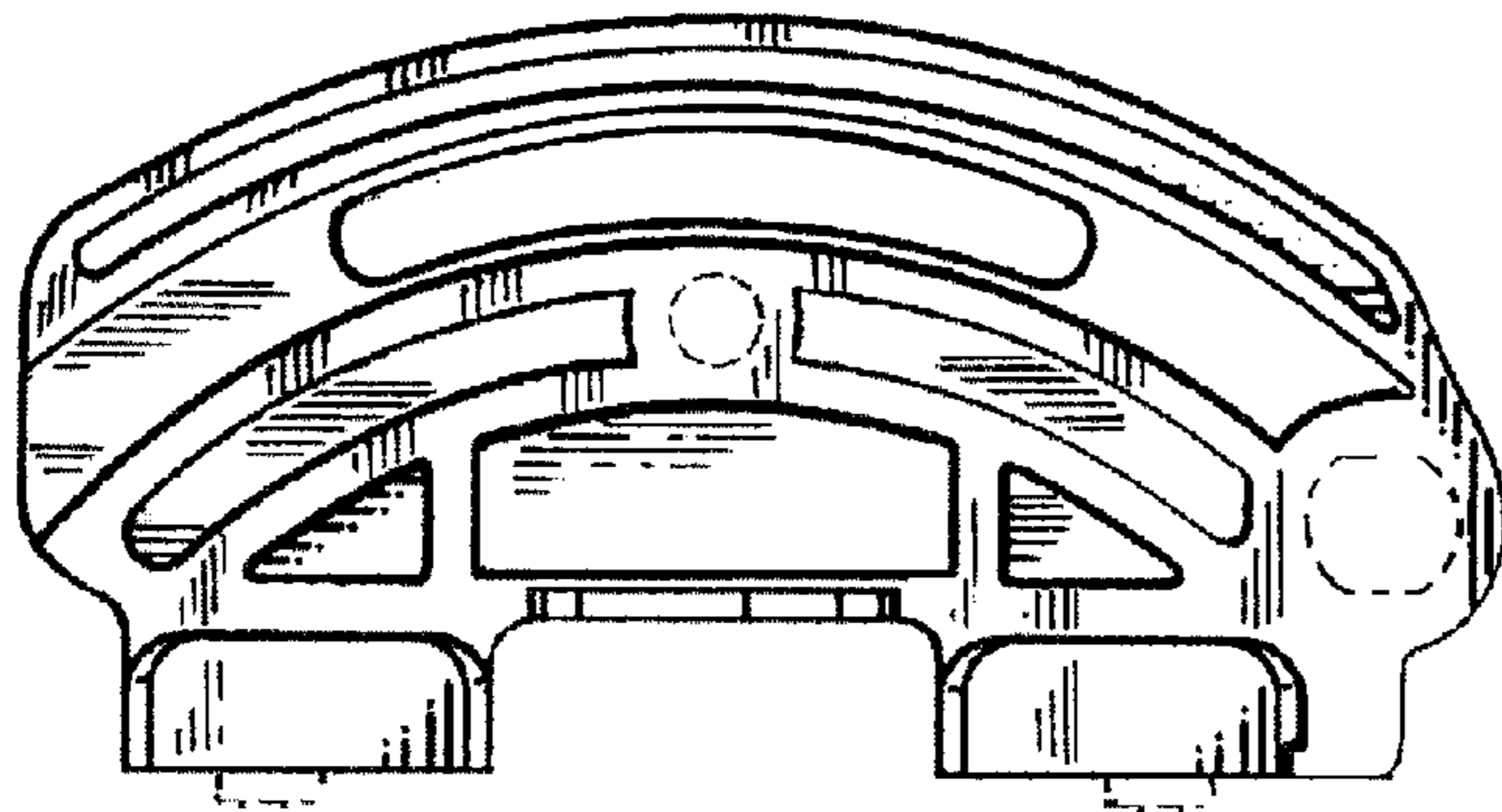


Fig. 5.

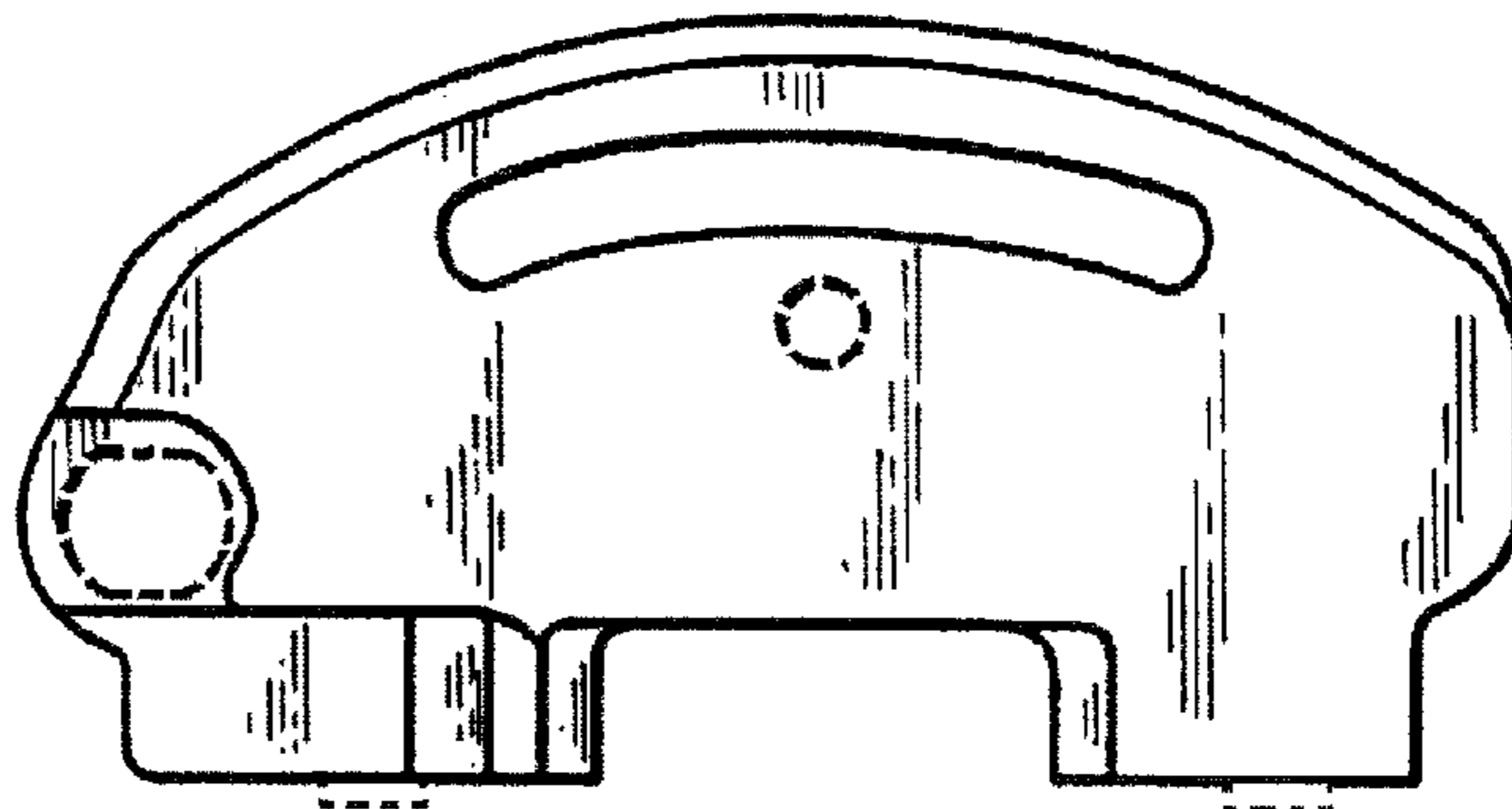


Fig. 6.

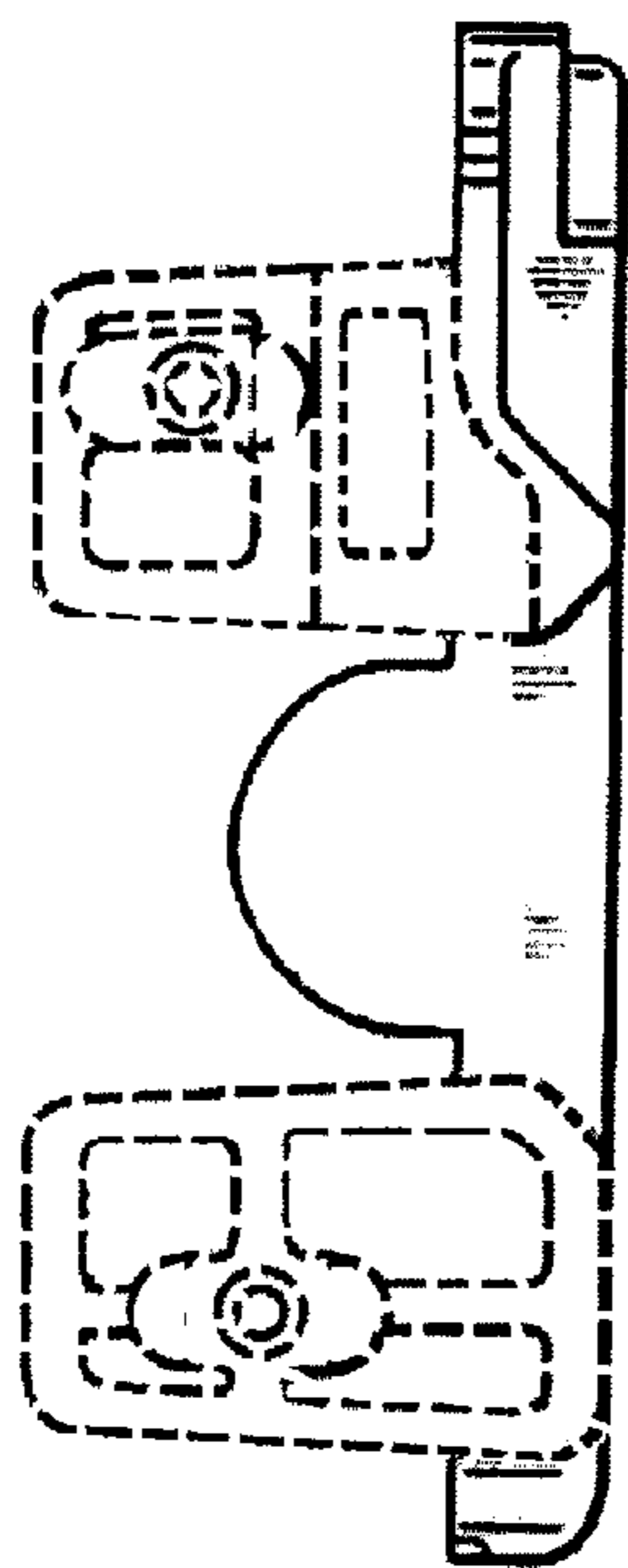


Fig. 7.

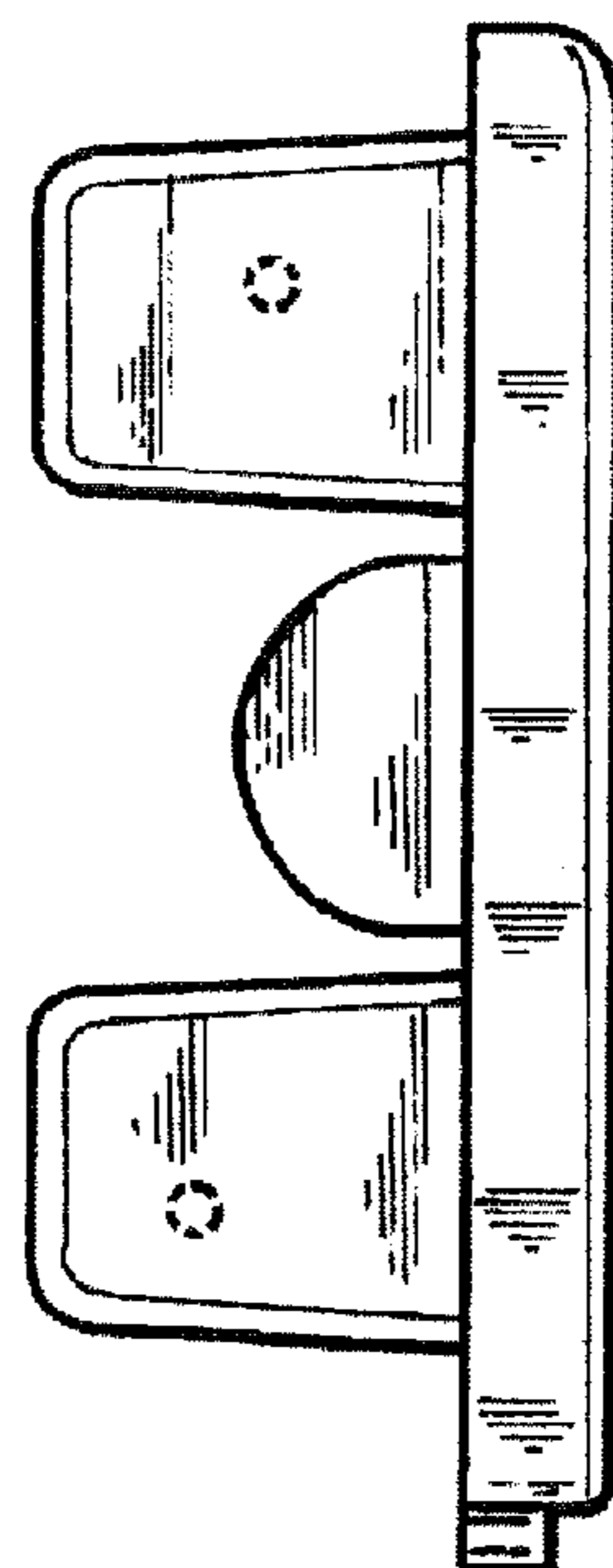


Fig. 8.

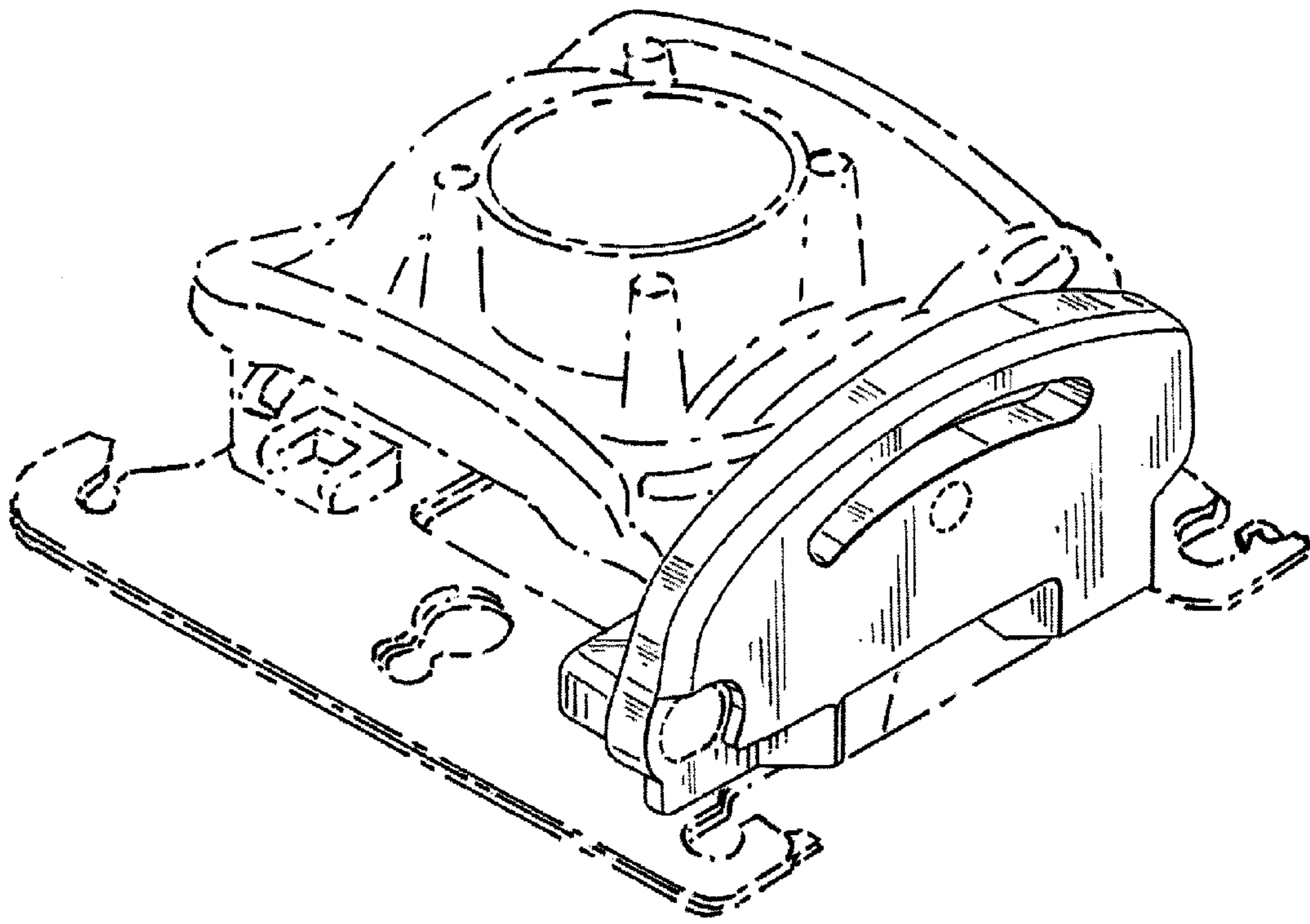


Fig. 9.