



US00D574406S

(12) **United States Design Patent**
Sakamaki et al.

(10) **Patent No.:** **US D574,406 S**
(45) **Date of Patent:** **** Aug. 5, 2008**

(54) **PROJECTOR**

(75) Inventors: **Isao Sakamaki**, Matsumoto (JP);
Haruki Senda, Matsumoto (JP); **Saeko Inoue**, Matsumoto (JP); **Hirohisa Nakano**, Matsumoto (JP)

(73) Assignee: **Seiko Epson Corporation**, Tokyo (JP)

(**) Term: **14 Years**

(21) Appl. No.: **29/282,089**

(22) Filed: **Jul. 11, 2007**

(30) **Foreign Application Priority Data**

Mar. 5, 2007 (JP) 2007-005535

(51) **LOC (8) Cl.** **16-02**

(52) **U.S. Cl.** **D16/230; D16/225**

(58) **Field of Classification Search** D16/205,
D16/208, 213, 221, 225, 230, 231, 234; D21/514;
353/115, 119, 122

See application file for complete search history.

(56) **References Cited**

U.S. PATENT DOCUMENTS

D474,799 S * 5/2003 Kawasaki et al. D16/230
6,793,346 B2 * 9/2004 Nakano et al. 353/119
D498,490 S * 11/2004 Kawasaki et al. D16/231

D503,733 S * 4/2005 Kurokawa D16/230
D527,408 S * 8/2006 Azuma D16/230
7,156,526 B2 * 1/2007 Tanaka 353/122
D551,690 S * 9/2007 Kawabe et al. D16/230
D551,691 S * 9/2007 Sakamaki et al. D16/230
D565,077 S * 3/2008 Sakamaki et al. D16/230

* cited by examiner

Primary Examiner—Adir Aronovich

(74) *Attorney, Agent, or Firm*—Oliff & Berridge, PLC

(57) **CLAIM**

The ornamental design for a projector, as shown and described.

DESCRIPTION

FIG. 1 is a perspective view of a projector with a lens cover being illustrated in an open position;

FIG. 2 is a front view thereof;

FIG. 3 is a rear view thereof;

FIG. 4 is a left-side view thereof;

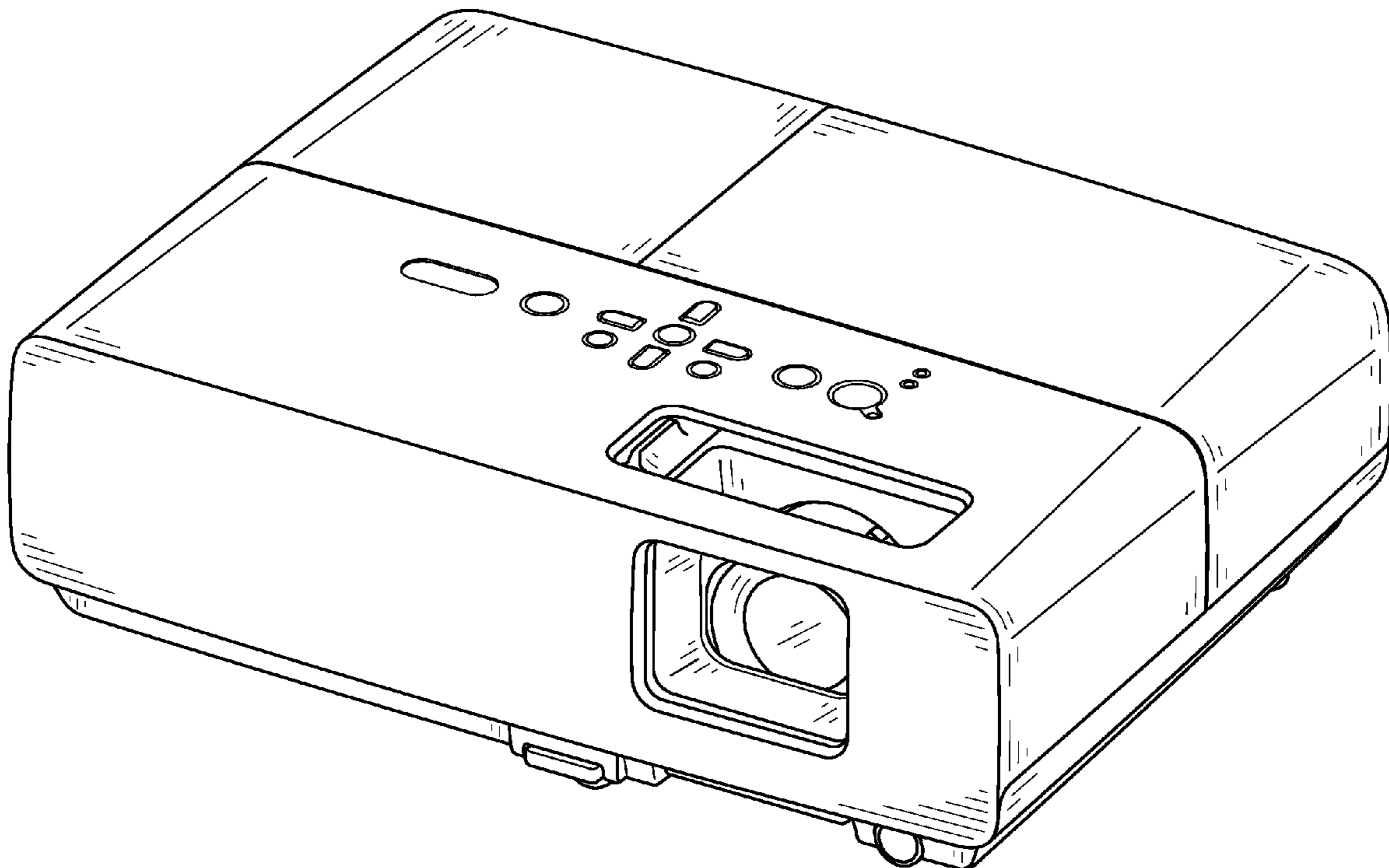
FIG. 5 is a right-side view thereof;

FIG. 6 is a top view thereof;

FIG. 7 is a bottom view thereof; and,

FIG. 8 is a perspective view of a projector similar to FIG. 1 with a lens cover being illustrated in a closed position.

1 Claim, 6 Drawing Sheets



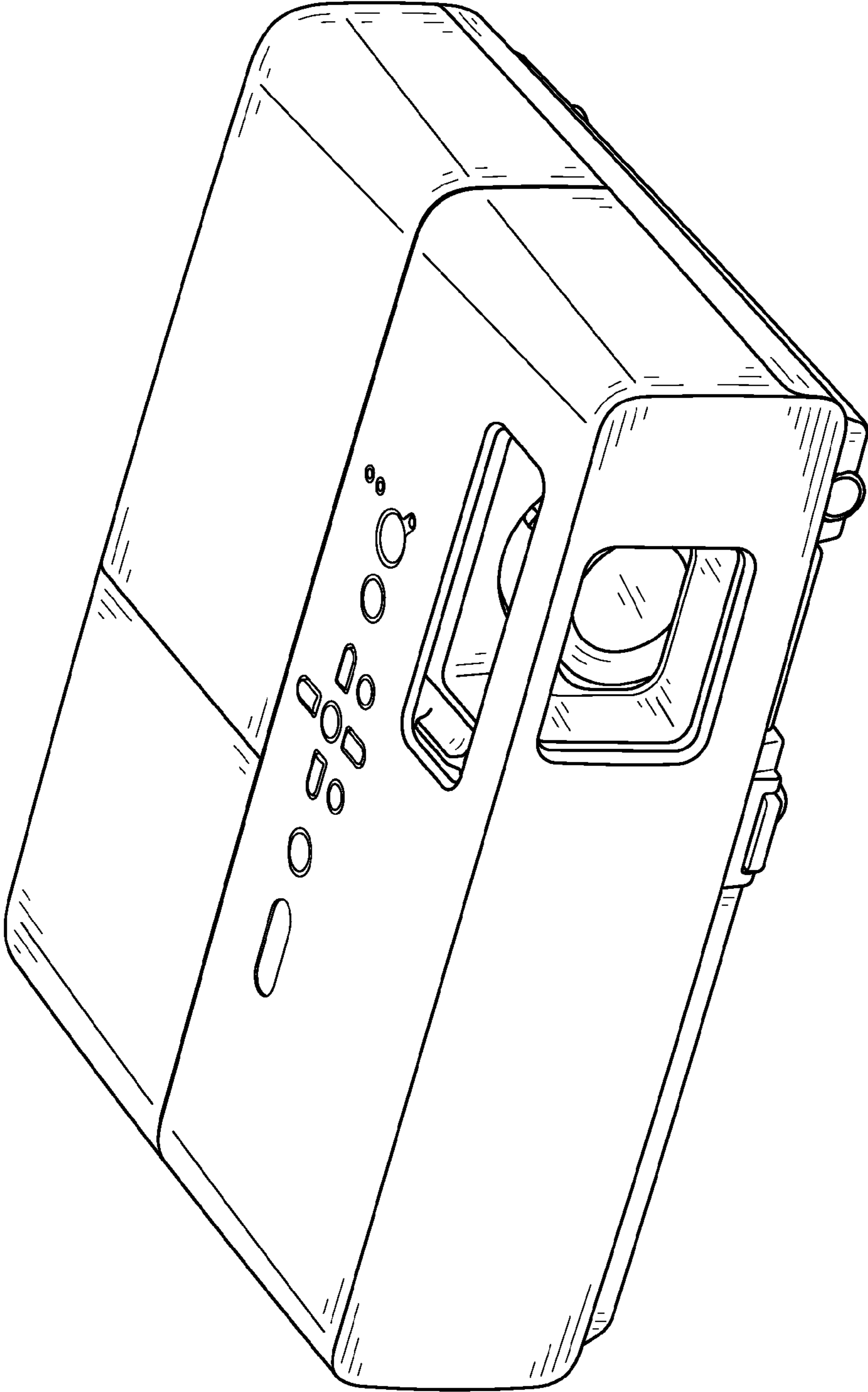


FIG. 1

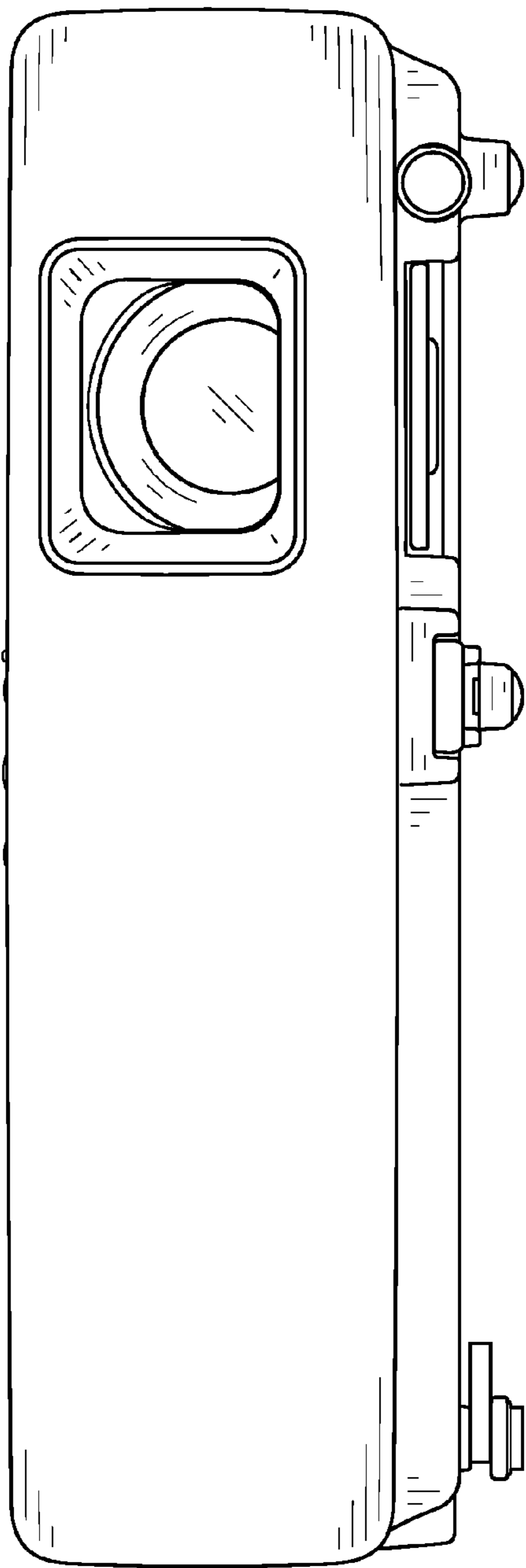


FIG. 2

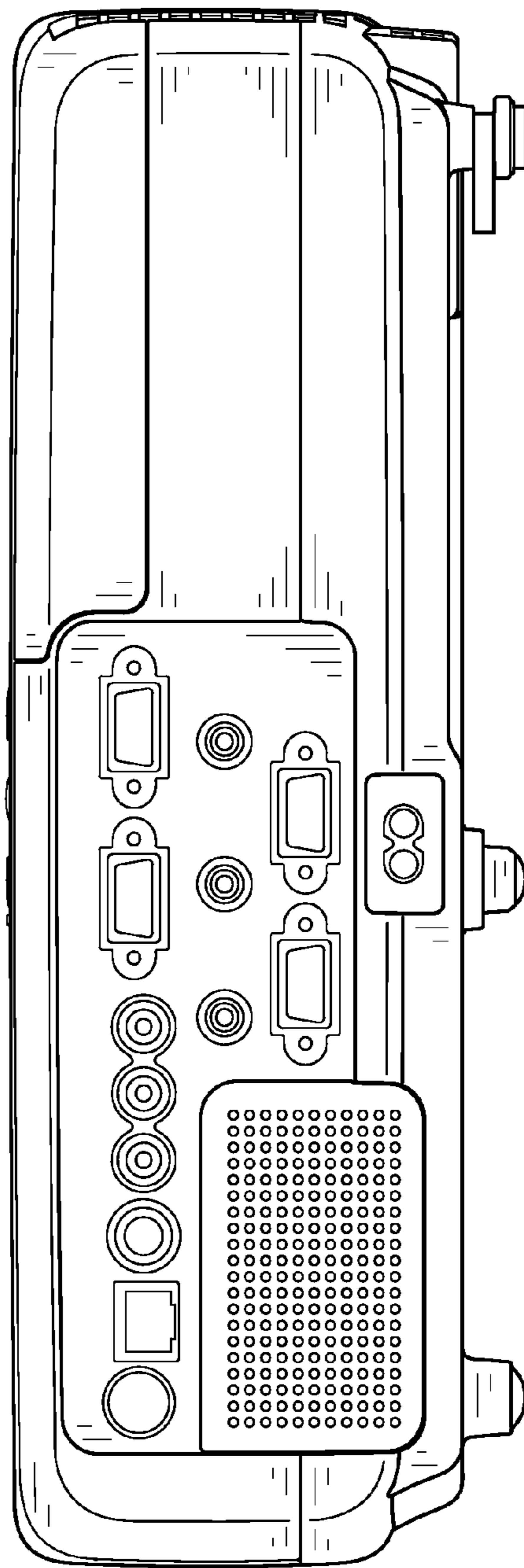


FIG. 3

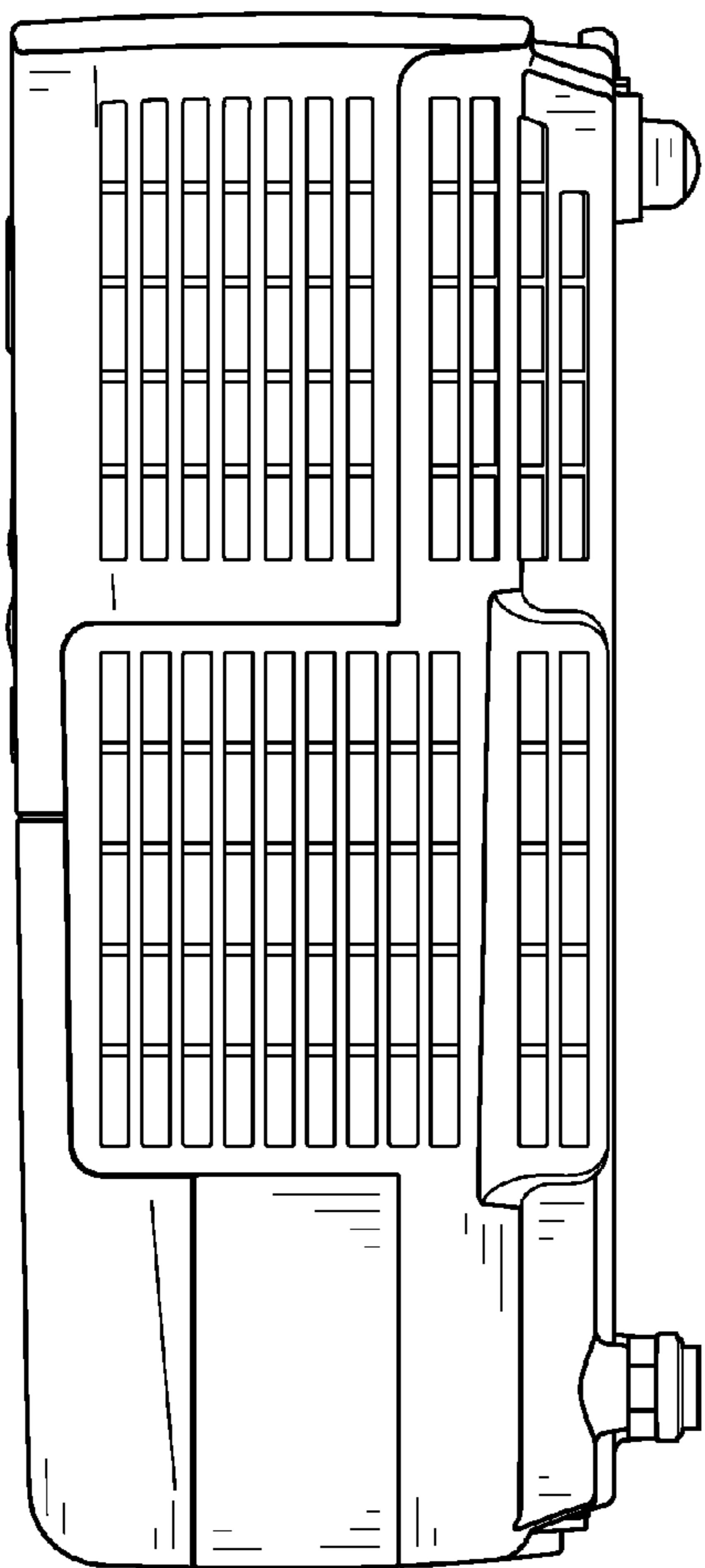


FIG. 4

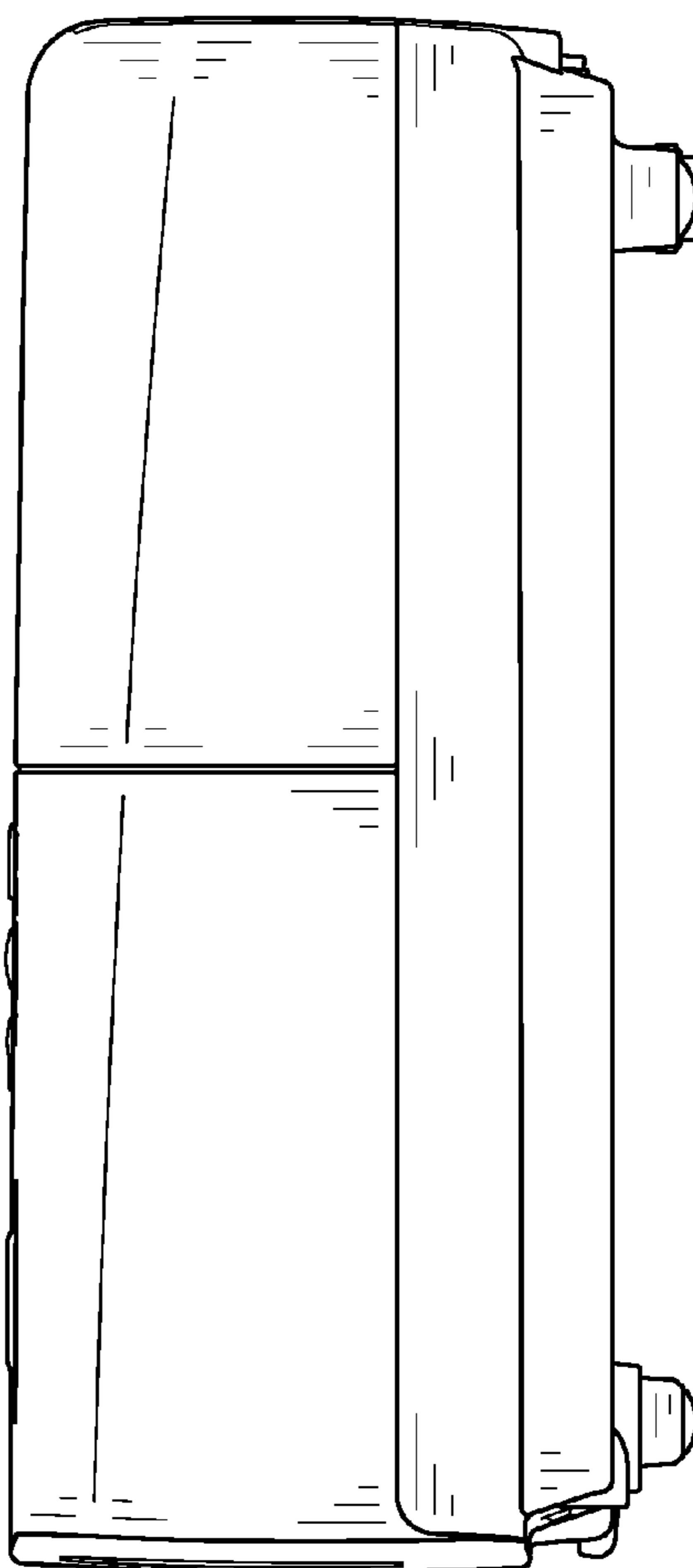


FIG. 5

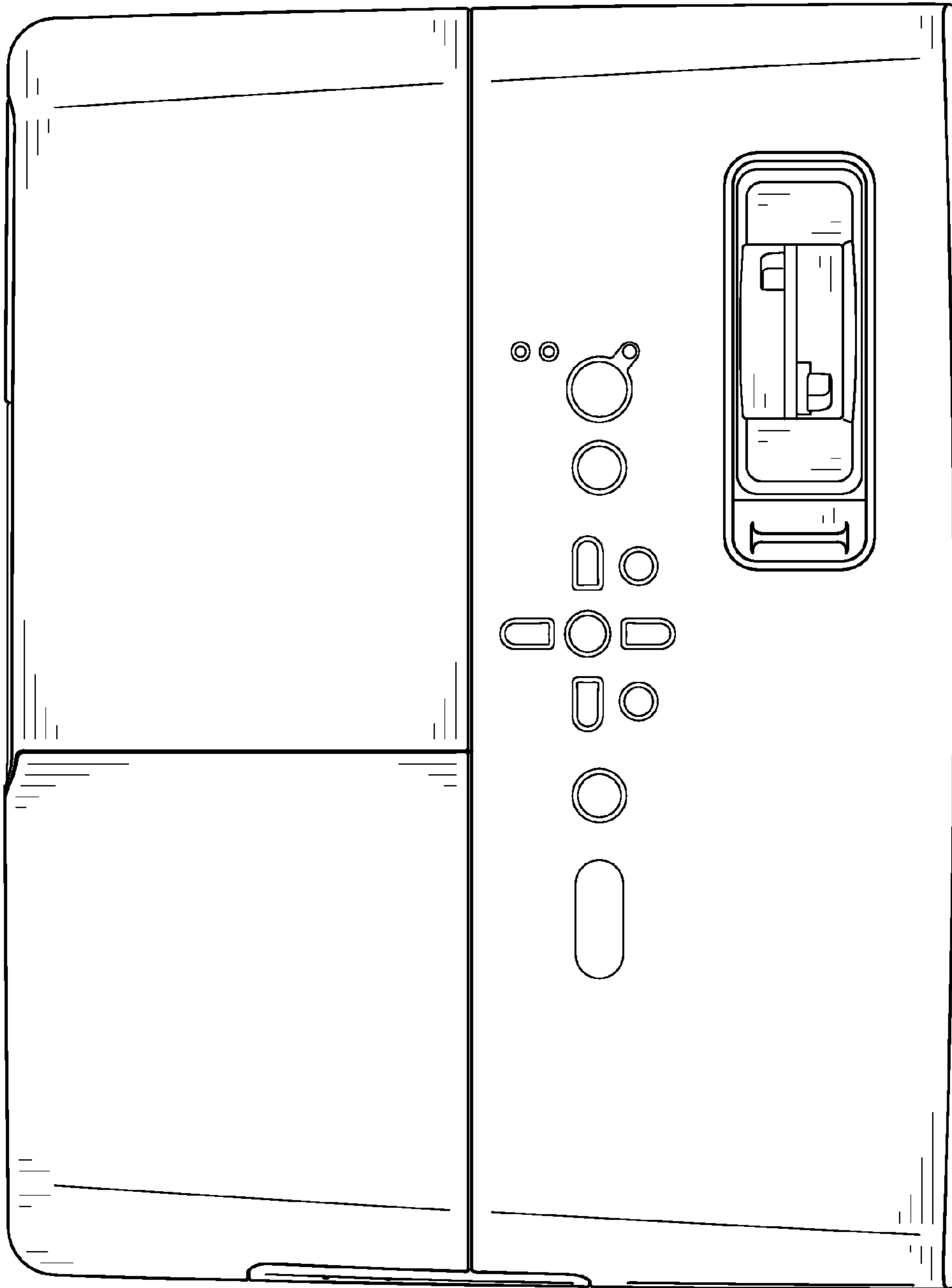


FIG. 6

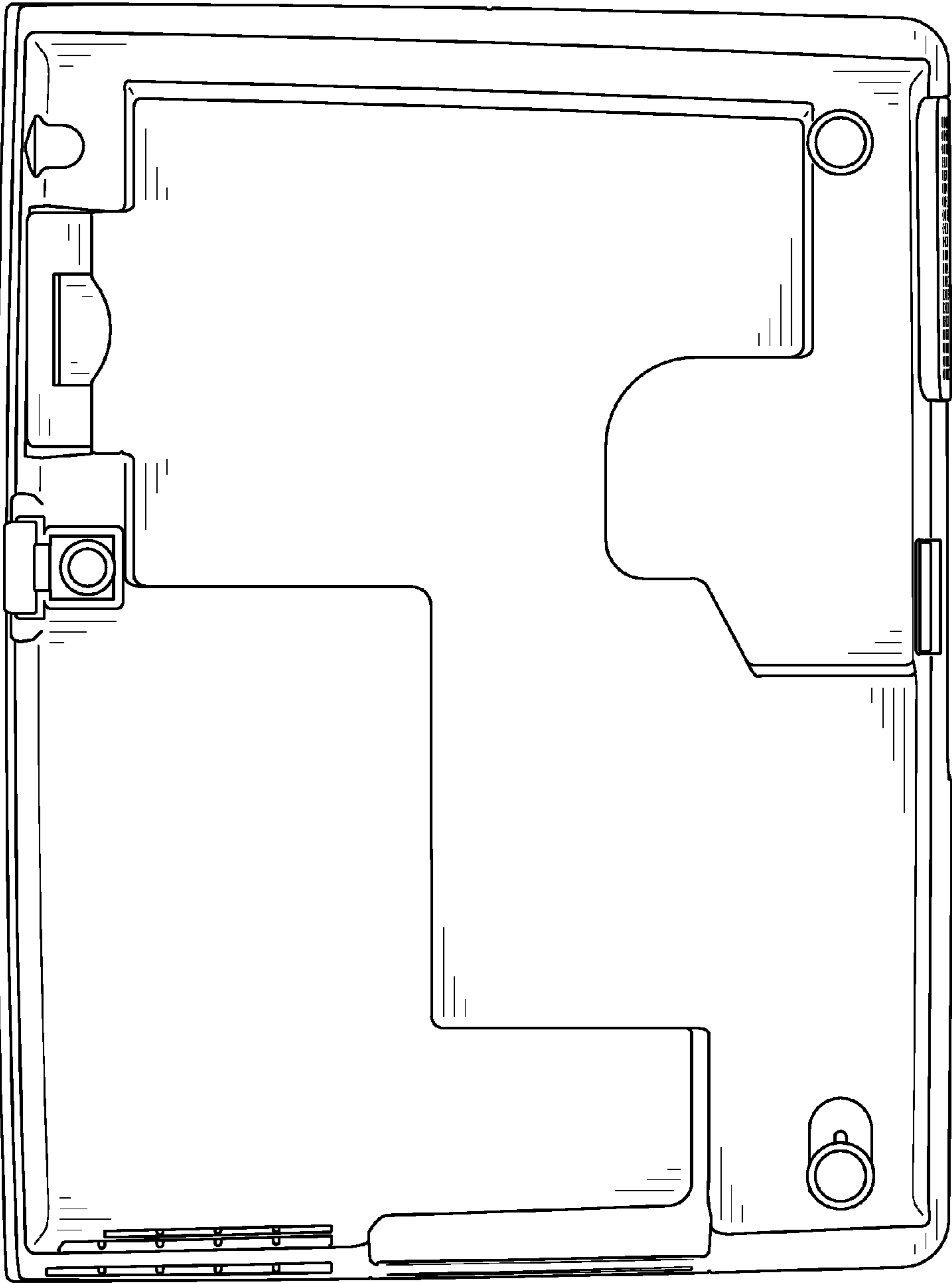


FIG. 7

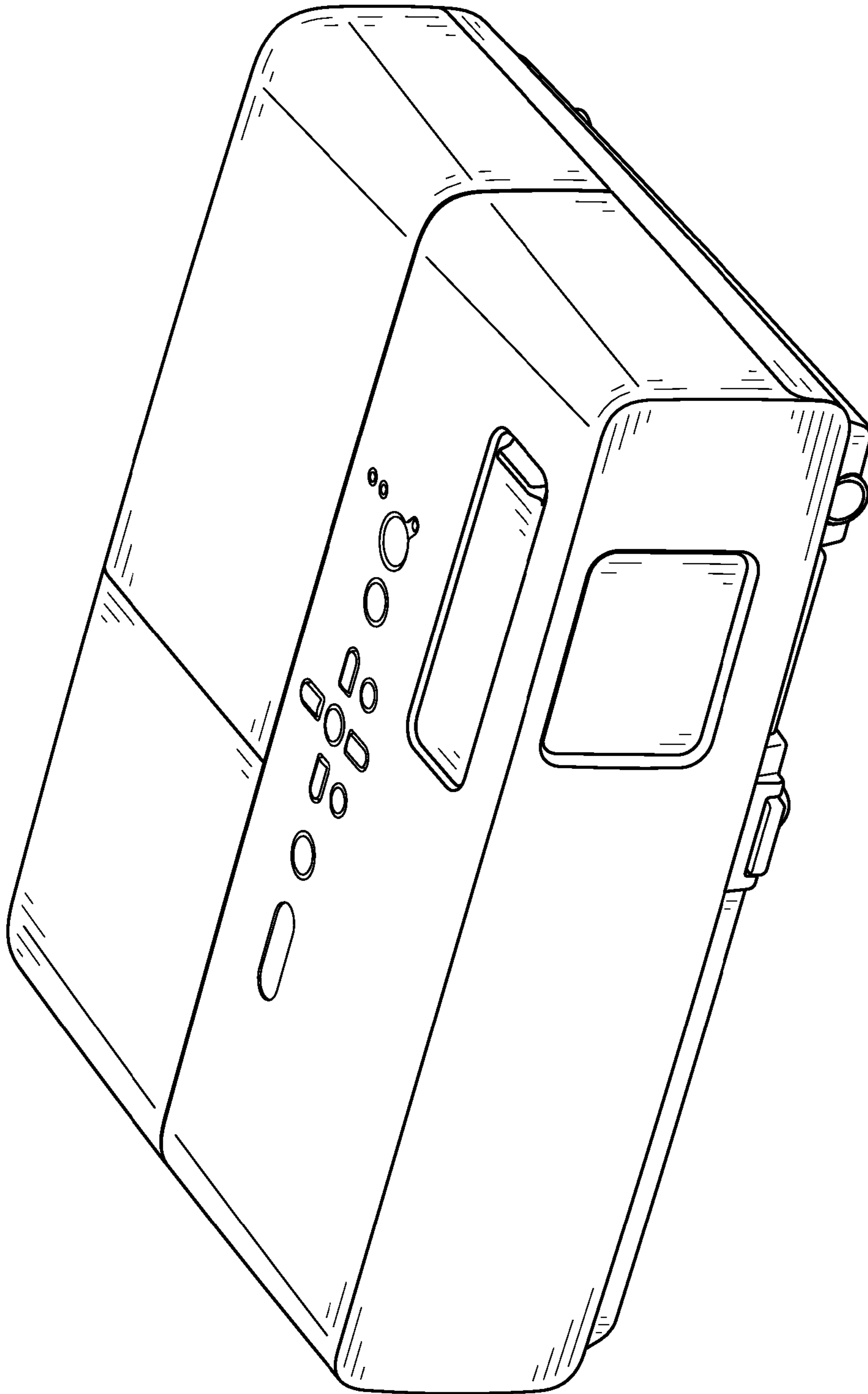


FIG. 8