



US00D574401S

(12) **United States Design Patent**
Bettacchini et al.

(10) **Patent No.:** **US D574,401 S**

(45) **Date of Patent:** **** Aug. 5, 2008**

(54) **MITER SAW**

2005/0257657 A1* 11/2005 Lee 83/581
2005/0284276 A1* 12/2005 Talesky et al. 83/471.3

(75) Inventors: **Marcello Bettacchini**, Perugia (IT);
Lucio Ginocchini, Perugia (IT); **Luca Ceccarelli**, Perugia (IT)

* cited by examiner

Primary Examiner—Sandra Snapp
Assistant Examiner—Patricia Palasik
(74) *Attorney, Agent, or Firm*—Adan Ayala

(73) Assignee: **Black & Decker Inc.**, Newark, DE (US)

(**) Term: **14 Years**

(57) **CLAIM**

(21) Appl. No.: **29/276,040**

The ornamental design for a miter saw, as shown and described.

(22) Filed: **Jan. 12, 2007**

(30) **Foreign Application Priority Data**

Dec. 21, 2006 (EM) 000641816

DESCRIPTION

(51) **LOC (8) Cl.** **15-09**

FIG. 1 is a left side view of a miter saw according to the invention.

(52) **U.S. Cl.** **D15/133**

FIG. 2 is a right side view of the miter saw.

(58) **Field of Classification Search** D15/133;

FIG. 3 is a rear elevational view of the miter saw.

83/471.3, 486.1, 490, 581; D8/66

FIG. 4 is a top plan view of the miter saw.

See application file for complete search history.

FIG. 5 is a front elevational view of the miter saw.

FIG. 6 is a top plan view of the miter saw in an alternate configuration.

(56) **References Cited**

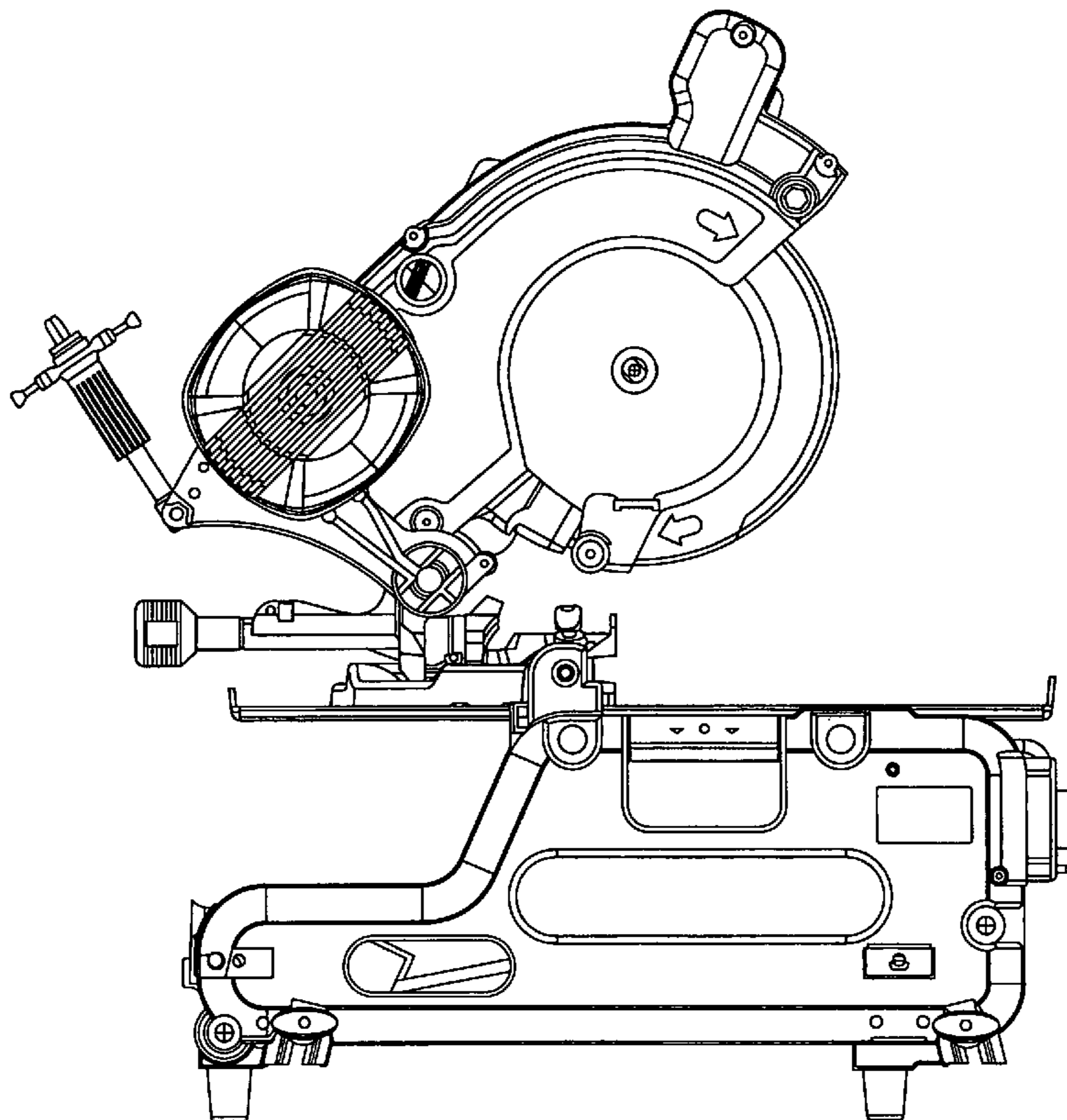
FIG. 7 is a right side view of the miter saw in the alternate configuration; and,

U.S. PATENT DOCUMENTS

FIG. 8 is a front elevational view of the miter saw in the alternate configuration.

5,437,319	A *	8/1995	Garuglieri	144/286.1
D421,267	S *	2/2000	Price et al.	D15/133
6,752,140	B1 *	6/2004	Fuhrman et al.	125/13.03
D528,571	S *	9/2006	Welsh	D15/133
D536,715	S *	2/2007	Welsh	D15/133

1 Claim, 8 Drawing Sheets



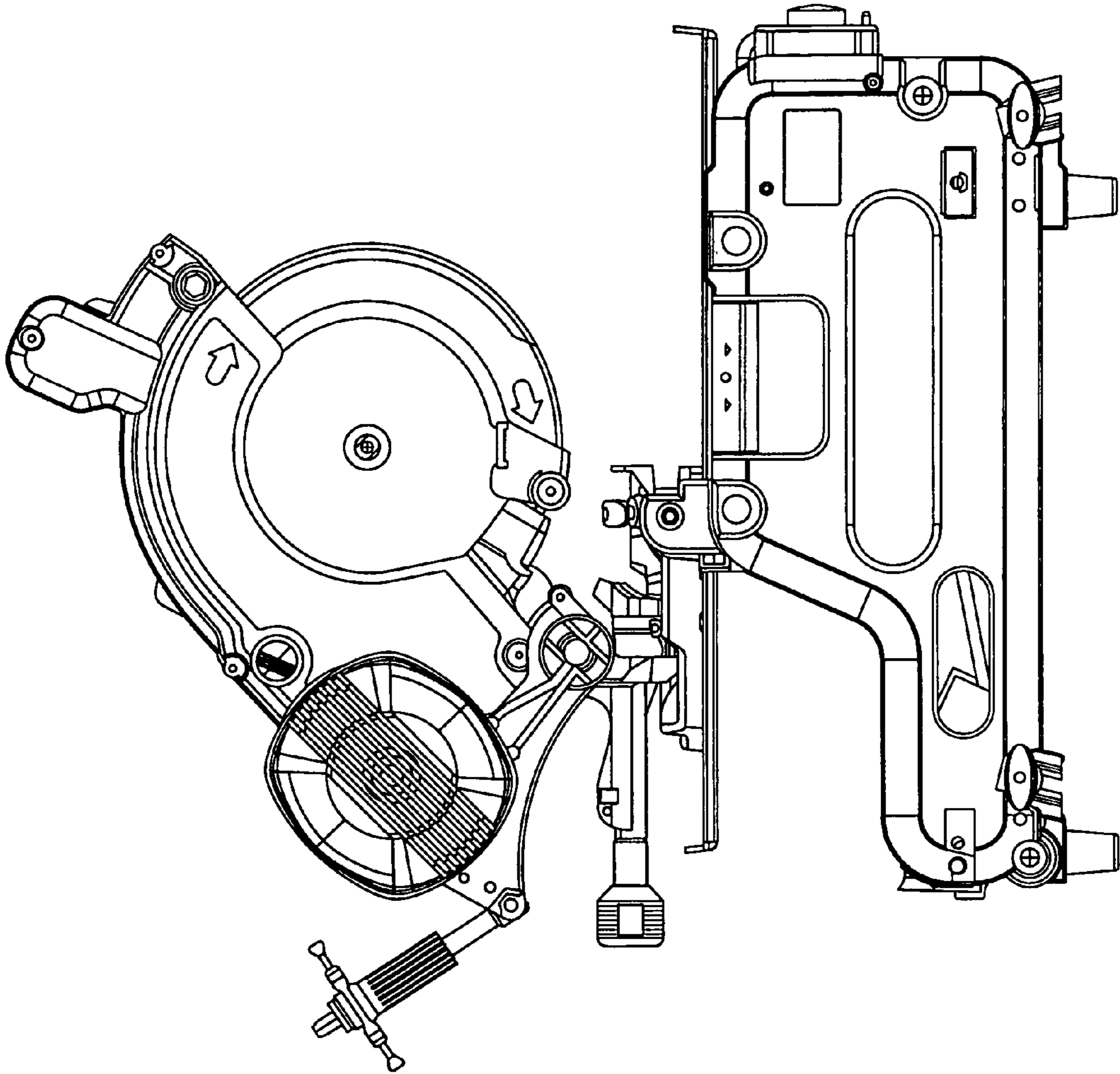


FIG. 1

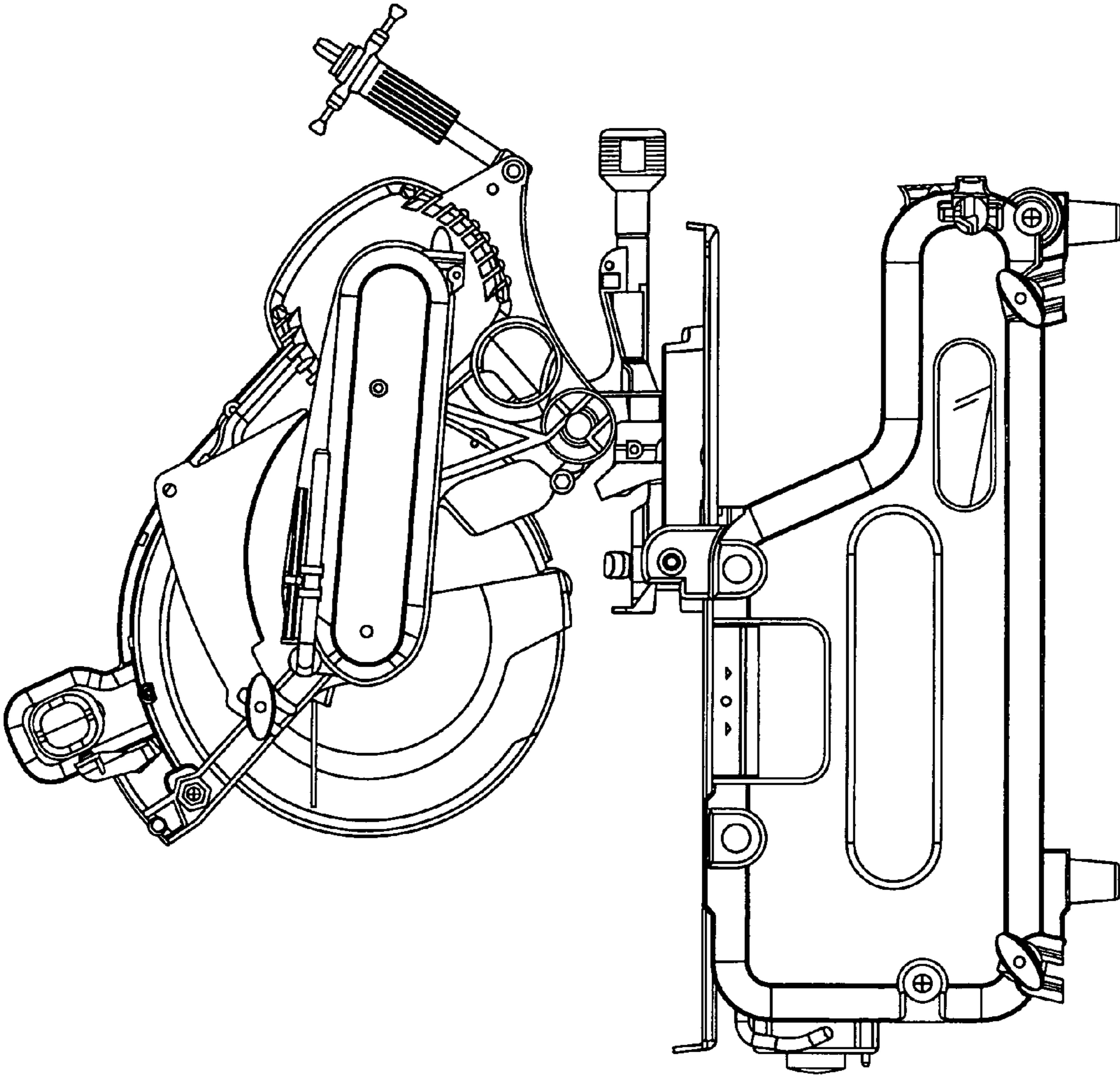


FIG. 2

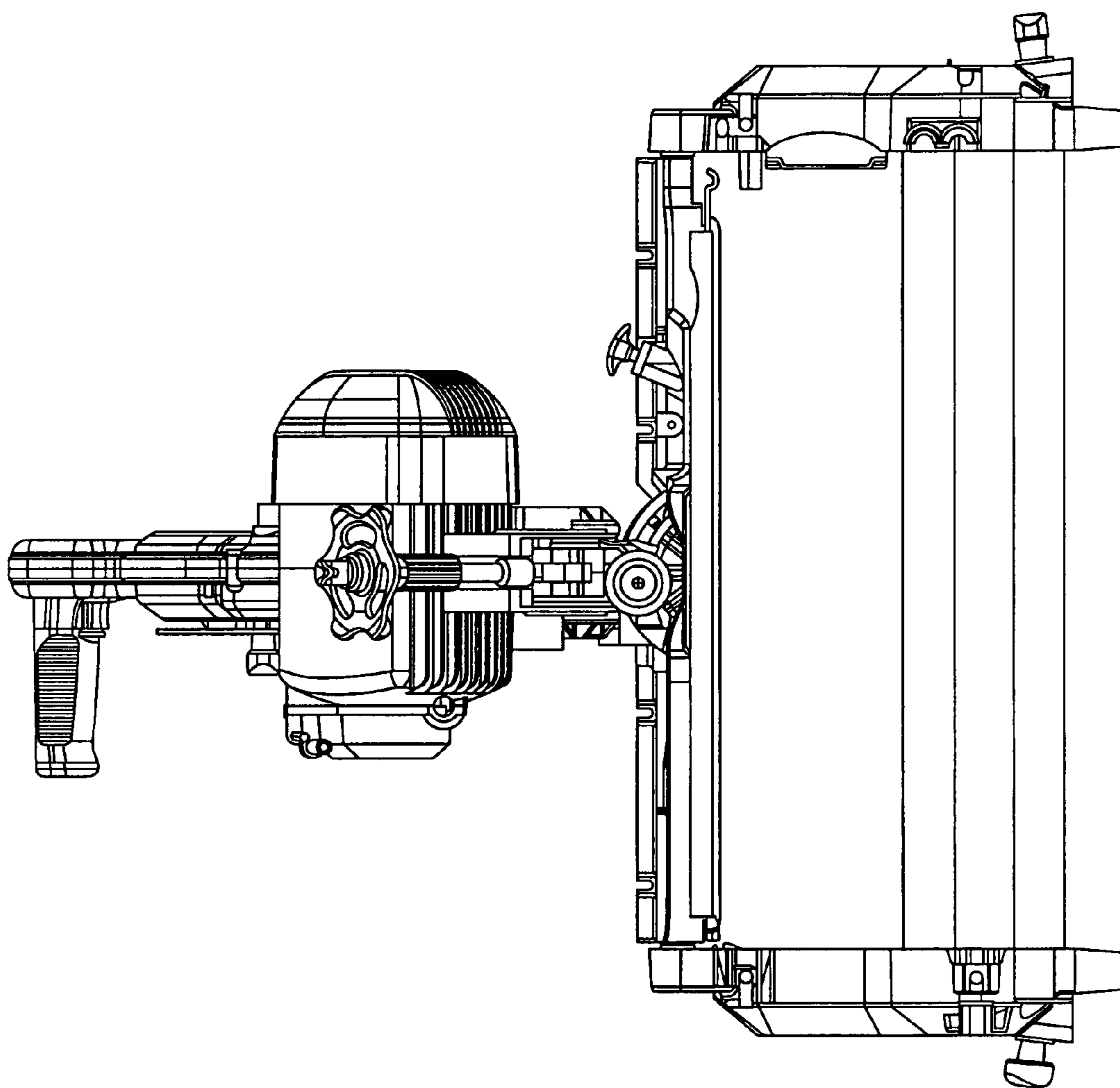


FIG. 3

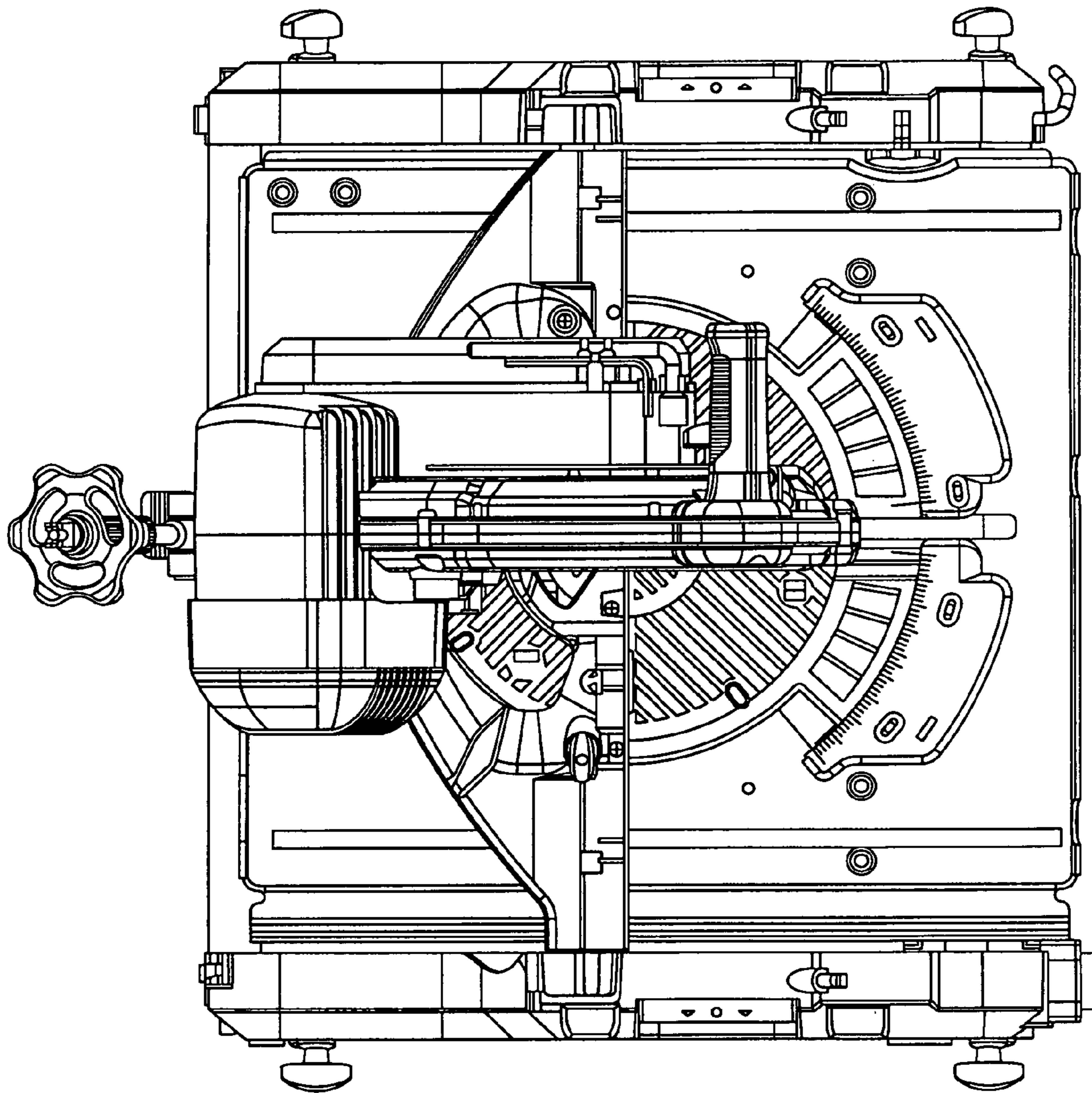


FIG. 4

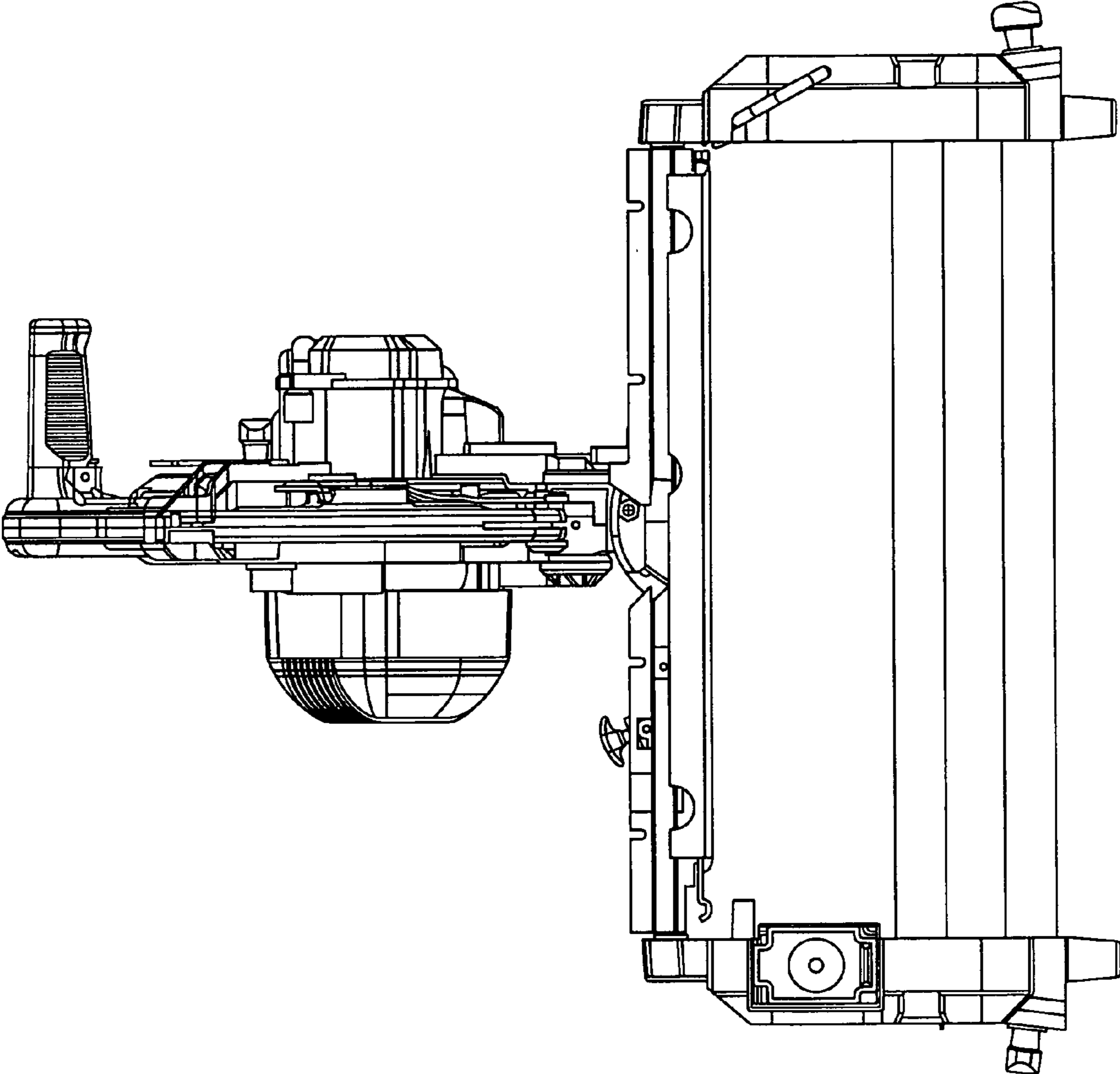


FIG. 5

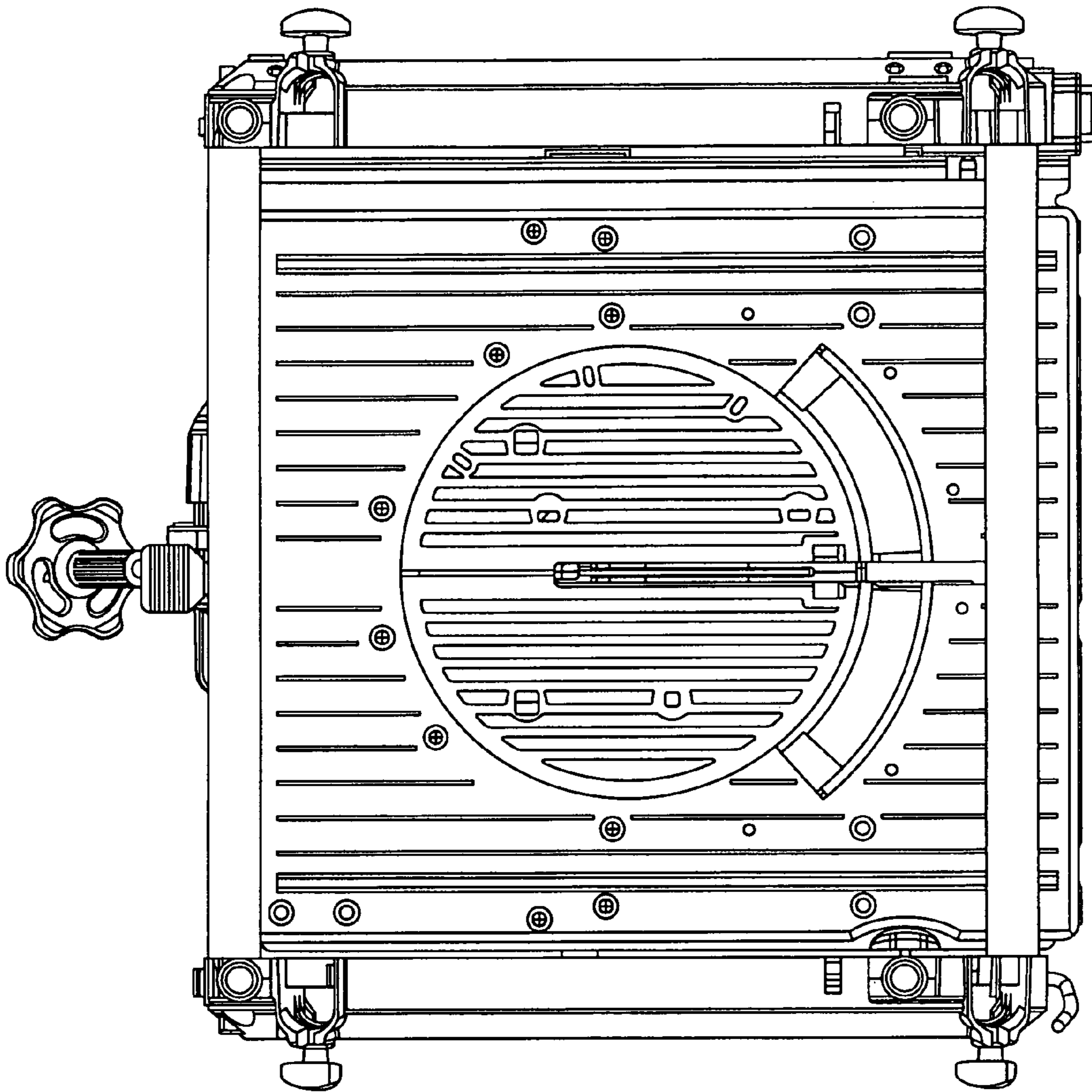


FIG. 6

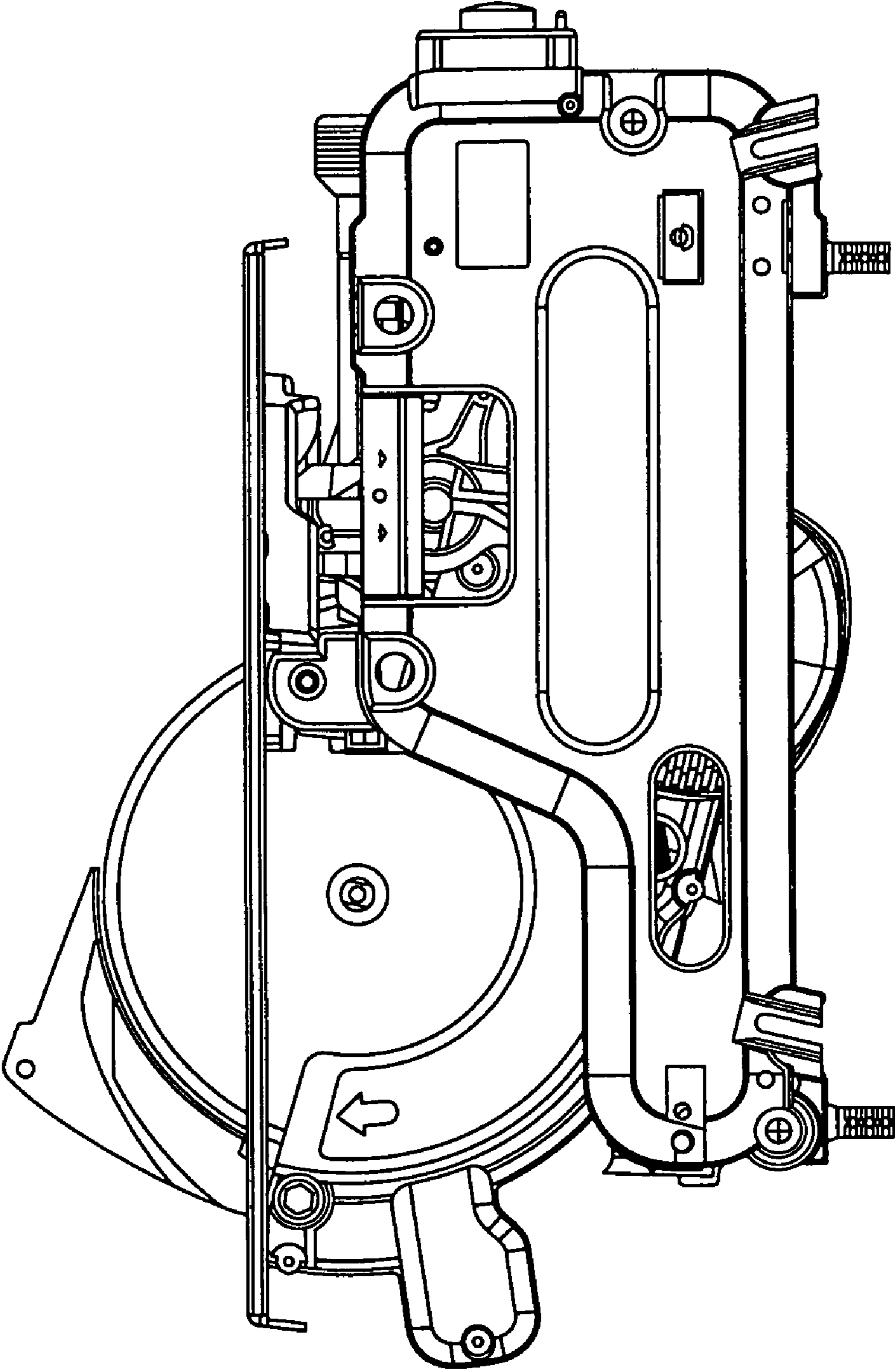


FIG. 7

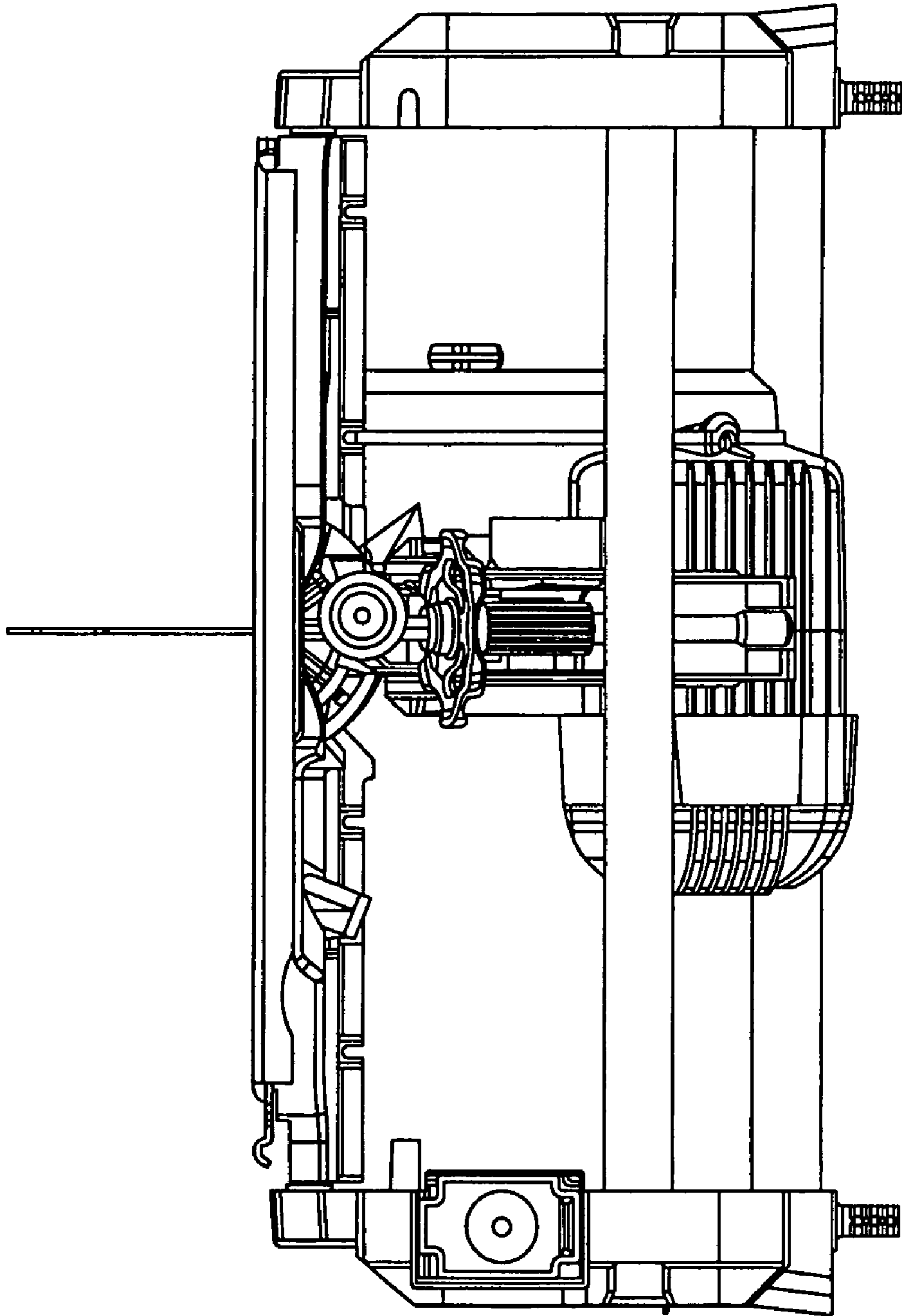


FIG. 8