



US00D574400S

(12) **United States Design Patent**
Willibald

(10) **Patent No.:** **US D574,400 S**

(45) **Date of Patent:** **** *Aug. 5, 2008**

(54) **CUTTING BODY FOR ROTORS TO BREAK UP ORGANIC MATTER, ESPECIALLY CUTTING BODY FOR USE IN ROTORS TO BREAK UP COTTON CULTURES**

(75) Inventor: **Artur Willibald**, Herdwangen (DE)

(73) Assignee: **AHWI Maschinenbau GmbH**, Herdwangen (DE)

(*) Notice: This patent is subject to a terminal disclaimer.

(**) Term: **14 Years**

(21) Appl. No.: **29/253,342**

(22) Filed: **Feb. 3, 2006**

(30) **Foreign Application Priority Data**

Aug. 5, 2005 (EM) 000383435

(51) **LOC (8) Cl.** **15-09**

(52) **U.S. Cl.** **D15/123**

(58) **Field of Classification Search** D15/122, D15/123, 124, 131, 138, 139, 140, 141; 241/73, 241/74, 189.1, 193-197, 294, 300; 407/112-119
See application file for complete search history.

(56) **References Cited**

U.S. PATENT DOCUMENTS

4,000,859 A * 1/1977 Whitney 241/194
D281,432 S * 11/1985 Tuomaala D15/139
5,022,593 A * 6/1991 Stelk 241/194

5,439,327 A * 8/1995 Wertheim 407/113
D374,019 S * 9/1996 Hailey D15/139
D416,567 S * 11/1999 Vogelsanger D15/139
6,045,072 A * 4/2000 Zehr 241/189.1
D426,556 S * 6/2000 Bradley et al. D15/123
6,971,598 B2 * 12/2005 Schillinger et al. 241/194
D525,635 S * 7/2006 East D15/139
D536,350 S * 2/2007 Young D15/123
2004/0238666 A1 * 12/2004 Gray et al. 241/197
2006/0239786 A1 * 10/2006 Hecht et al. 407/113

* cited by examiner

Primary Examiner—Antoine D. Davis

Assistant Examiner—Patricia Palasik

(74) *Attorney, Agent, or Firm*—Alleman Hall McCoy Russell & Tuttle LLP

(57) **CLAIM**

The ornamental design for a cutting body for rotors to break up organic matter, especially cutting body for use in rotors to break up cotton cultures, as shown and described.

DESCRIPTION

FIG. 1 shows a perspective view of a first embodiment of a cutting body.

FIG. 2 shows a top view of the embodiment of FIG. 1.

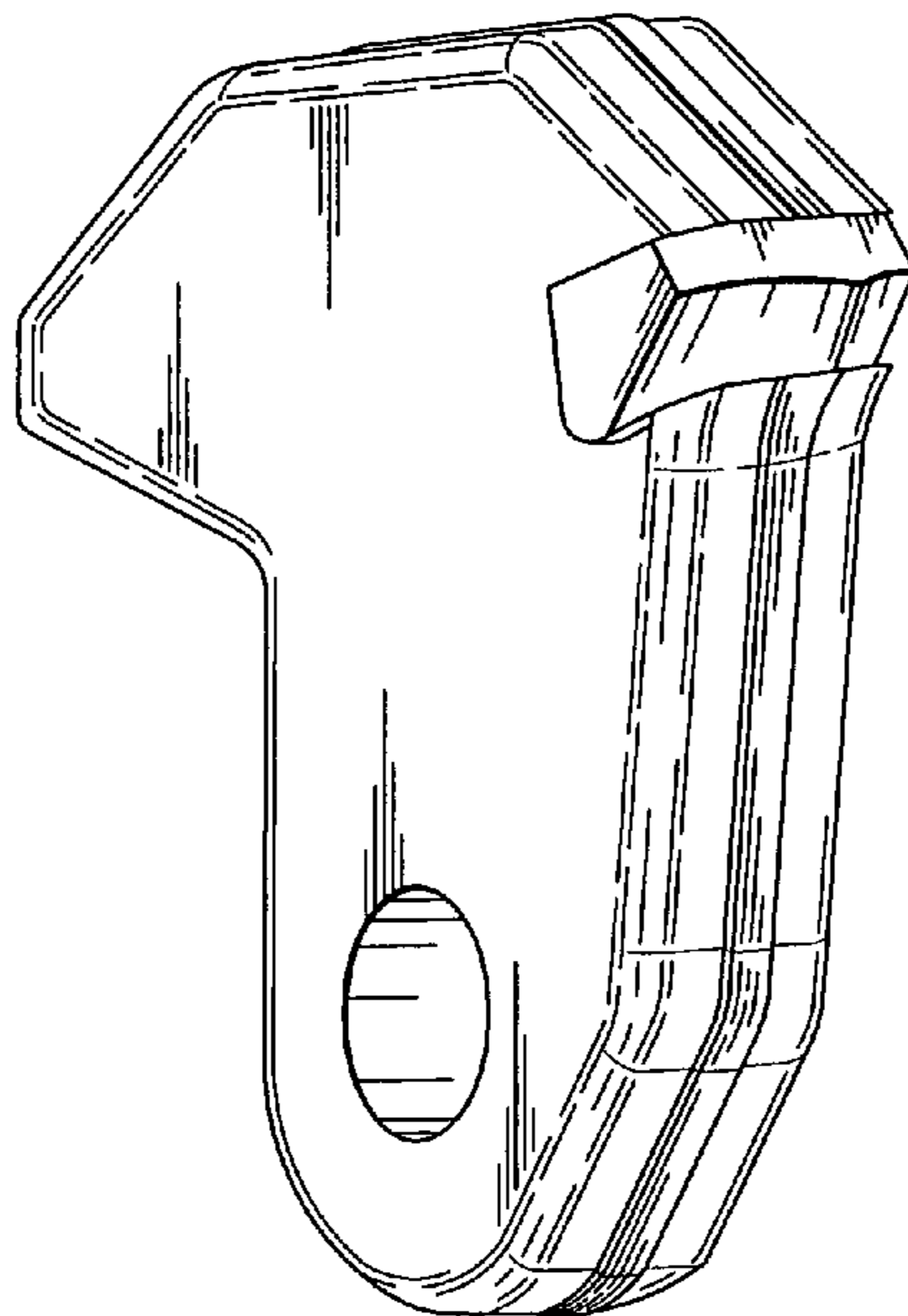
FIG. 3 shows a first side view of the embodiment of FIG. 1, wherein the second side is a mirror image of the first side.

FIG. 4 shows a back view of the embodiment of FIG. 1.

FIG. 5 shows a front view of the embodiment of FIG. 1; and,

FIG. 6 shows a bottom view of the embodiment of FIG. 1.

1 Claim, 3 Drawing Sheets



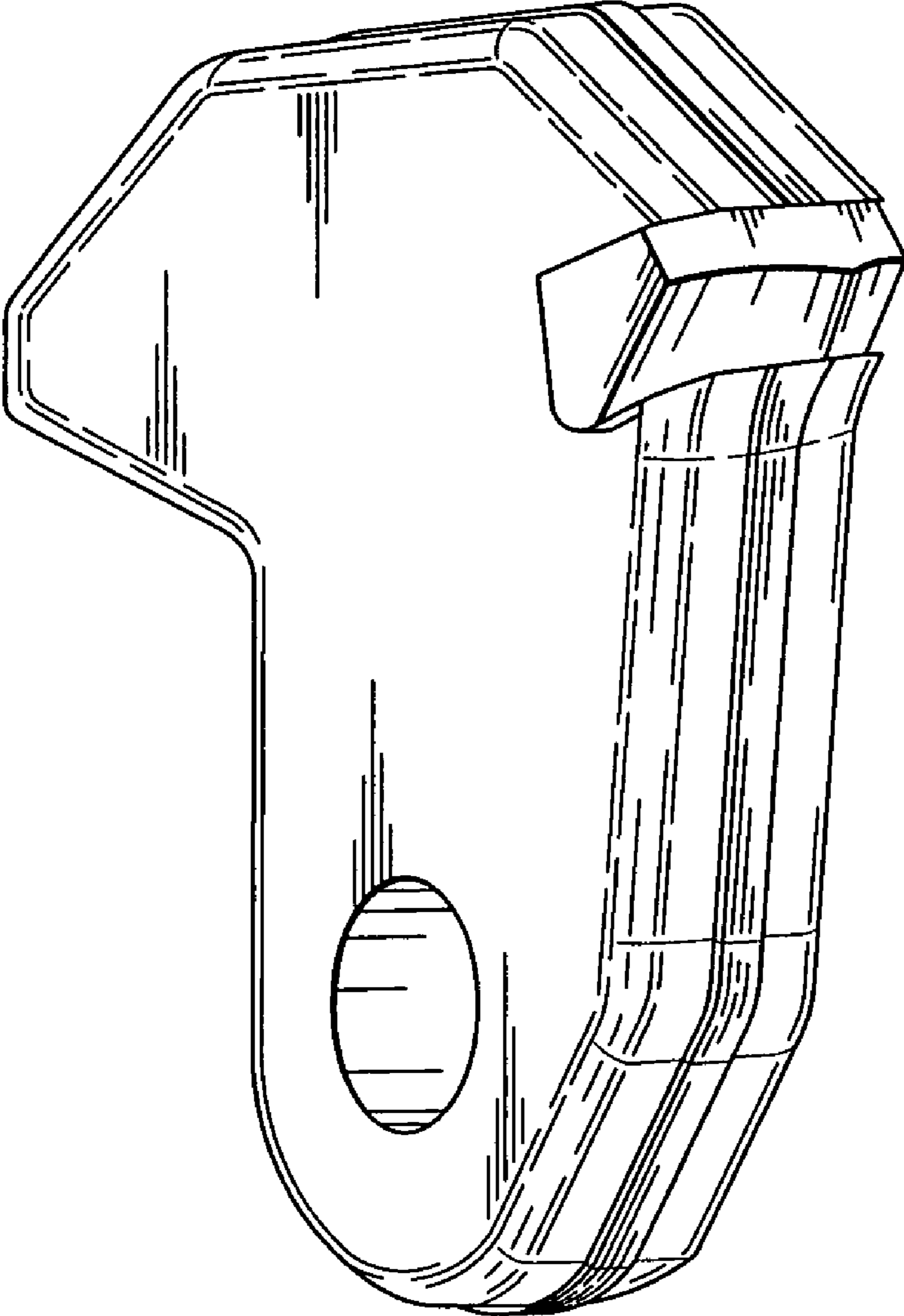


FIG. 1

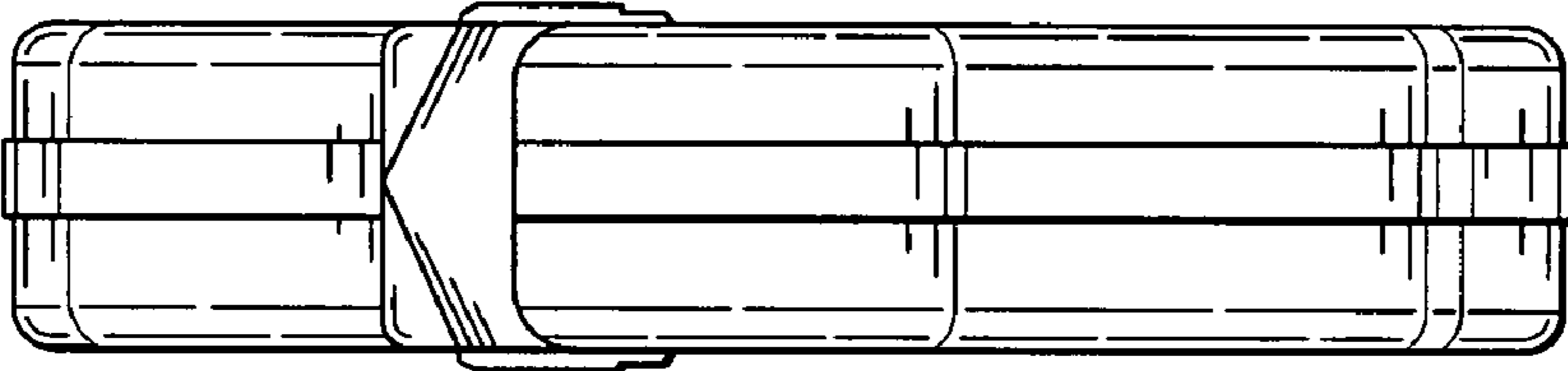


FIG. 2

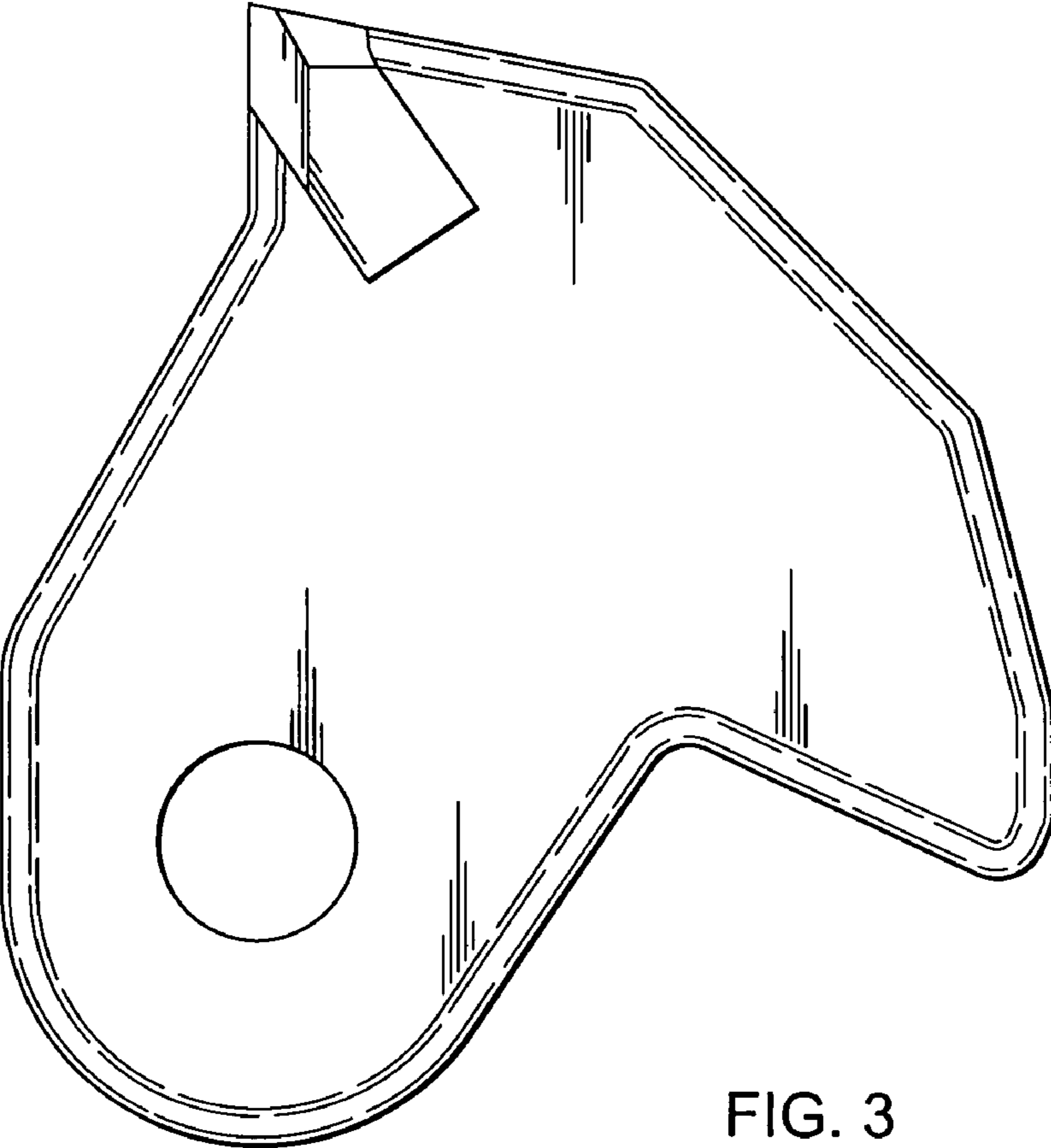


FIG. 3

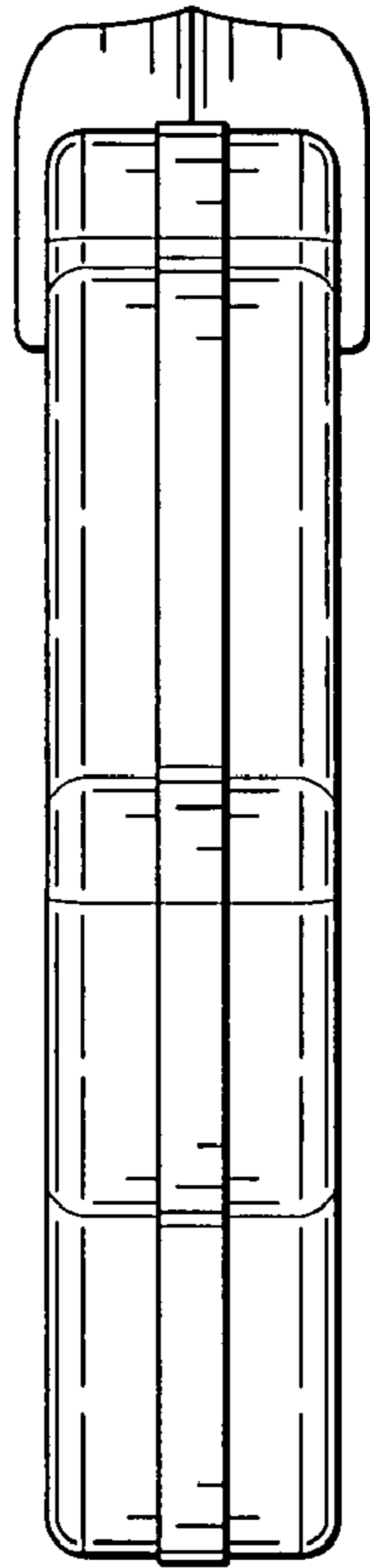


FIG. 4

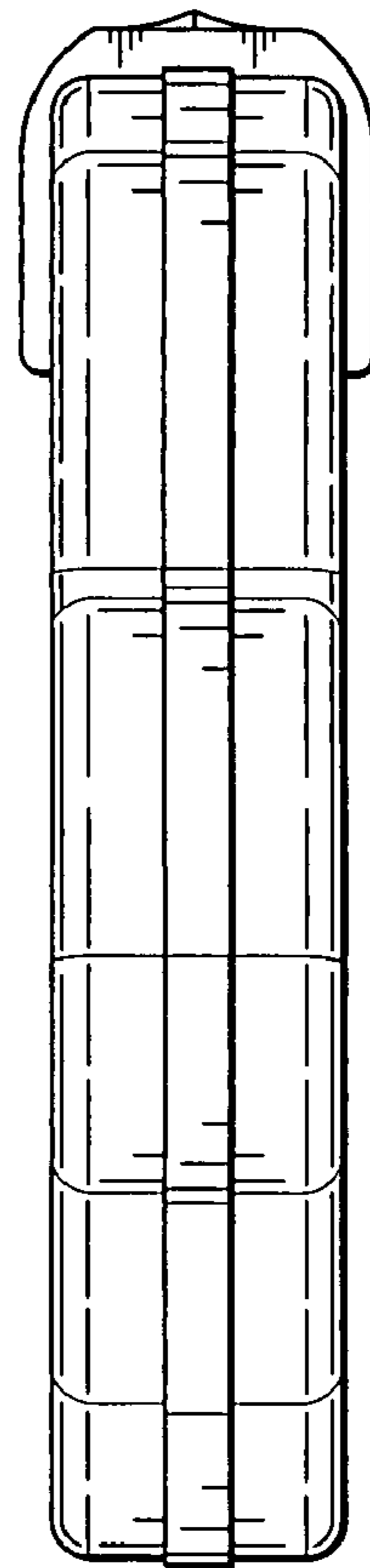


FIG. 5

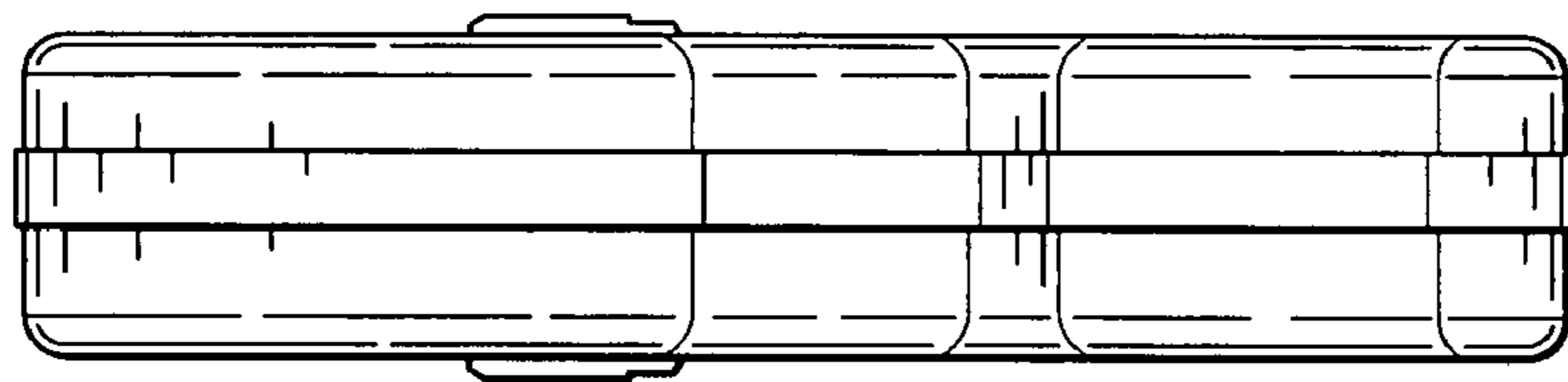


FIG. 6