



US00D574386S

(12) **United States Design Patent**
Bailo

(10) **Patent No.:** **US D574,386 S**

(45) **Date of Patent:** **** Aug. 5, 2008**

(54) **SUPPORT FOR TELEVISION APPARATUS**

(75) Inventor: **Carlo Bailo**, Stenico (IT)

(73) Assignee: **OMB S.r.l.**, Stenico (Trento) (IT)

(**) Term: **14 Years**

(21) Appl. No.: **29/247,536**

(22) Filed: **Jun. 26, 2006**

(30) **Foreign Application Priority Data**

Dec. 27, 2005 (EM) 000464243-0001

(51) **LOC (8) Cl.** **14-03**

(52) **U.S. Cl.** **D14/451**

(58) **Field of Classification Search** D14/451,
D14/452, 129, 209, 217, 224, 237, 238, 239,
D14/432, 439, 447, 448; D8/349, 354, 355,
D8/363, 373, 380; 248/176.1, 201, 205.1,
248/220.21, 223.31, 231.9, 274.1, 276.1,
248/281.11, 284.1, 286.1, 309.1, 316.1, 323,
248/324, 349.1, 371, 398, 425, 917, 918,
248/919, 920, 921, 922, 923, 924, 121, 124.1,
248/127, 291.1, 313; 348/825, 827

See application file for complete search history.

(56) **References Cited**

U.S. PATENT DOCUMENTS

D493,800 S * 8/2004 Pfister et al. D14/451

D494,596 S * 8/2004 Pfister D14/451
D503,331 S * 3/2005 Sjoberg D8/363
D517,085 S * 3/2006 Deuschle D14/451
D528,901 S * 9/2006 David D8/373
D532,290 S * 11/2006 David D8/373
7,152,836 B2 * 12/2006 Pfister et al. 248/292.14
D539,125 S * 3/2007 Ly Hau et al. D8/373
2006/0065800 A1 * 3/2006 Bremmon 248/274.1
2007/0176067 A1 * 8/2007 Monaco 248/284.1
2007/0262215 A1 * 11/2007 Tan 248/201

* cited by examiner

Primary Examiner—Cathron Brooks

Assistant Examiner—Angela J Lee

(74) *Attorney, Agent, or Firm*—Shoemaker and Mattare

(57) **CLAIM**

The ornamental design for a support for television apparatus, as shown and described.

DESCRIPTION

FIG. 1 is an isometric view of a support for television apparatus, showing my new design from the rear and the right side;

FIG. 2 is a rear elevational view thereof;

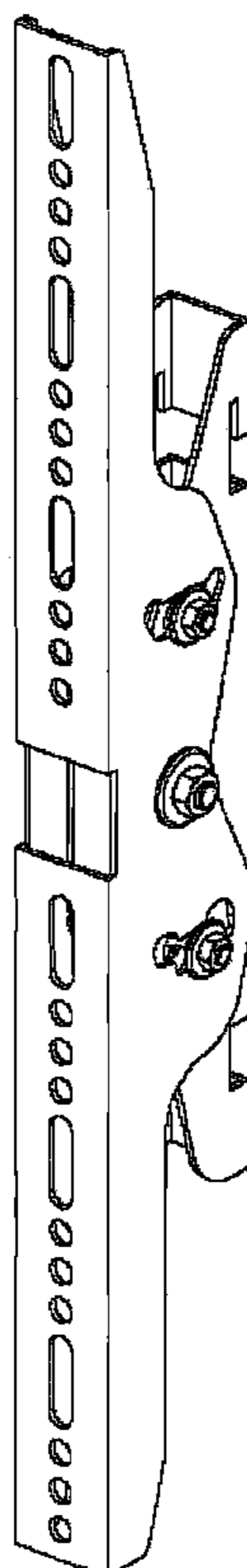
FIG. 3 is a left side elevational view thereof;

FIG. 4 is a front elevational view thereof;

FIG. 5 is a right side elevational view thereof; and,

FIG. 6 is a top plan view thereof.

1 Claim, 6 Drawing Sheets



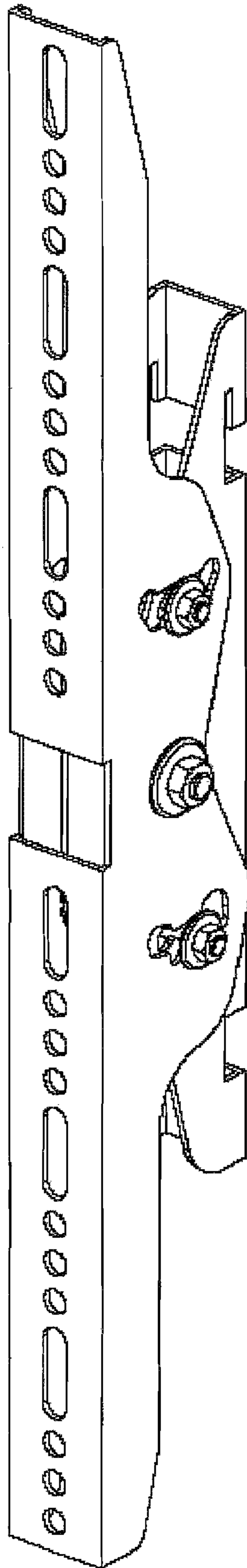


Fig. 1

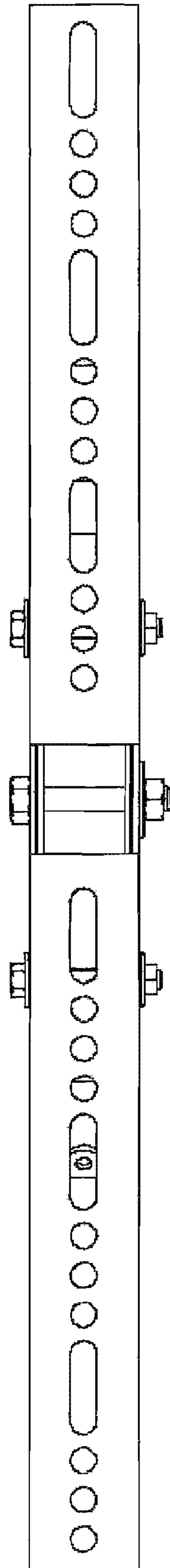


Fig. 2

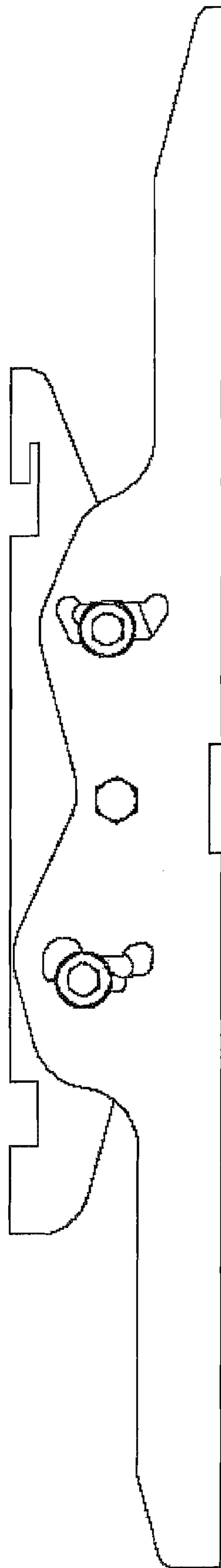


Fig. 3

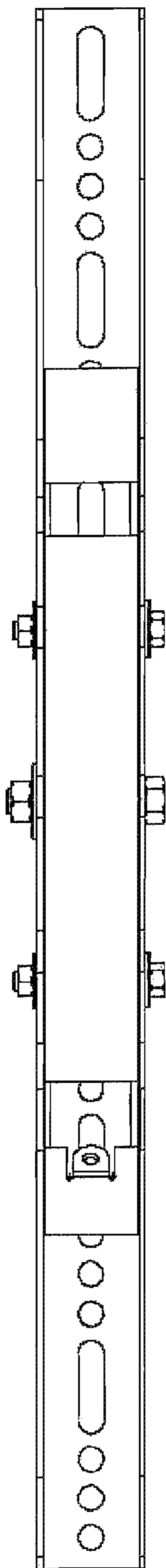


Fig. 4

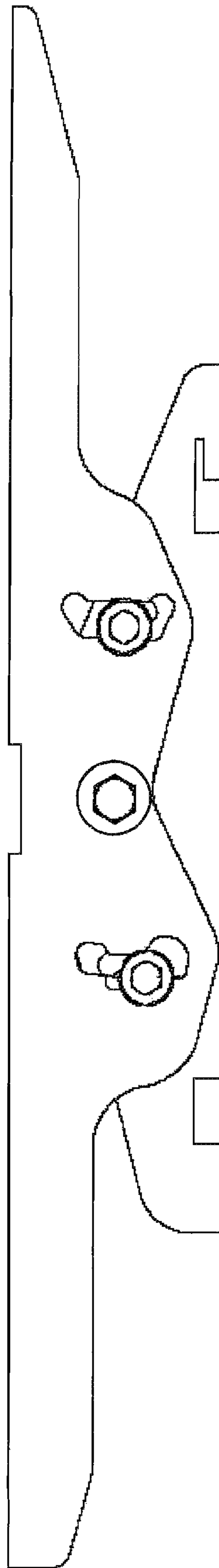


Fig. 5

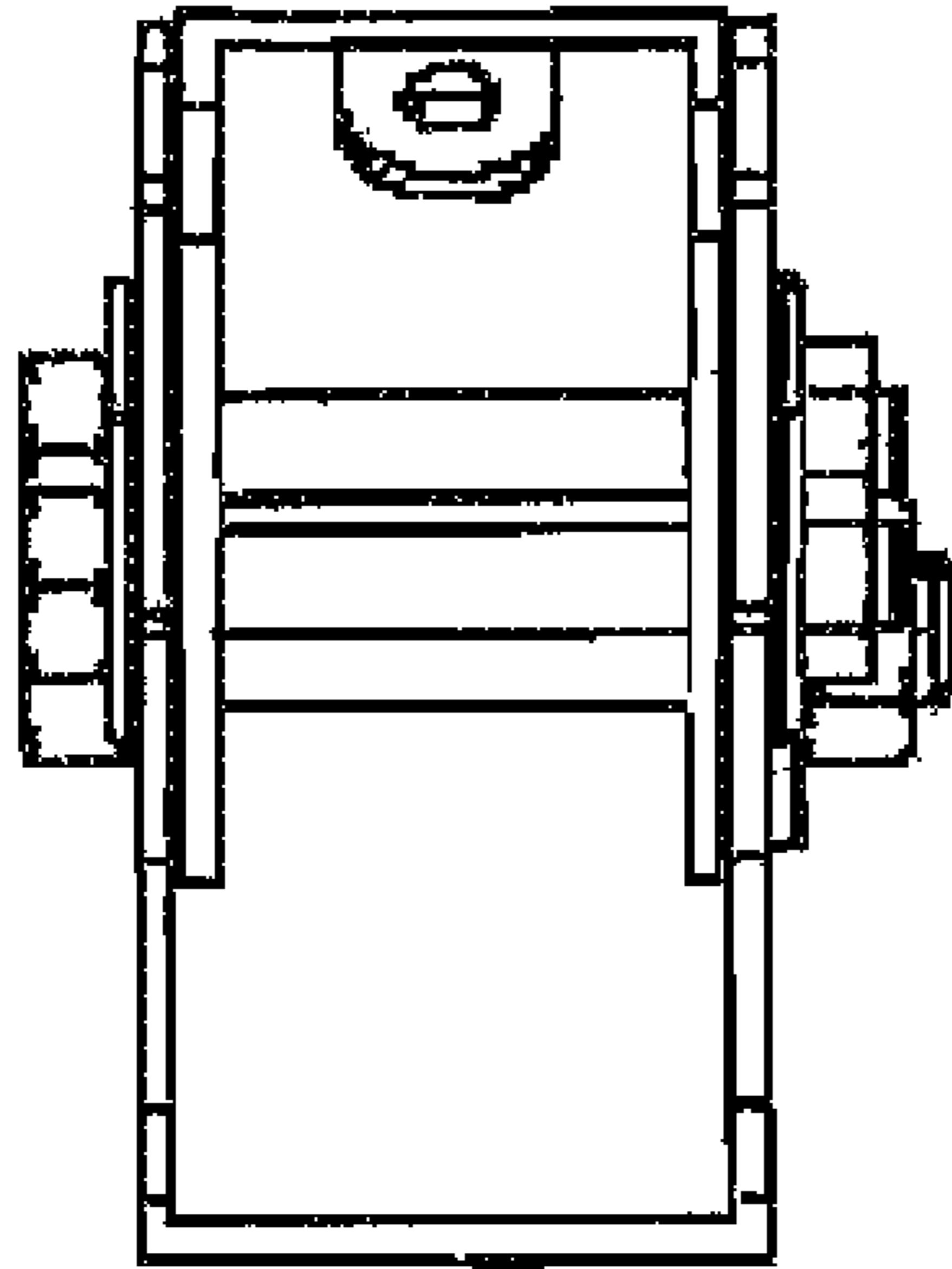


Fig. 6